

# AWS Direct Connect Locations & Hardware



Steven Moran

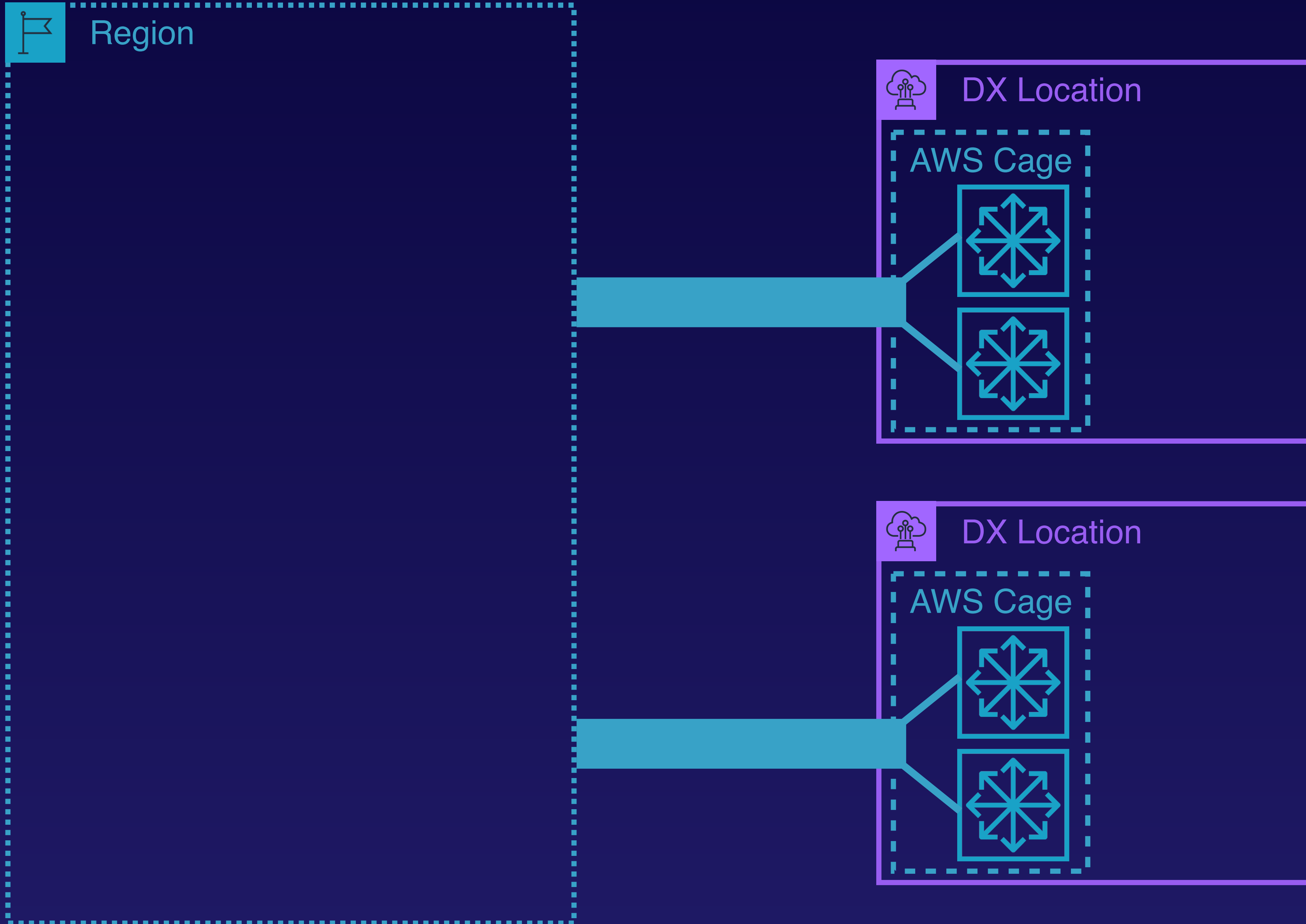
TECHNICAL INSTRUCTOR

# How Does Direct Connect Work?



- Dedicated, high-throughput, low-latency connection to an AWS Region.
- Accessed via globally placed DX locations.
- AWS customers may provision their own networking hardware at a DX location or work through a DX Partner.
- Customer traffic is isolated using VLANs.

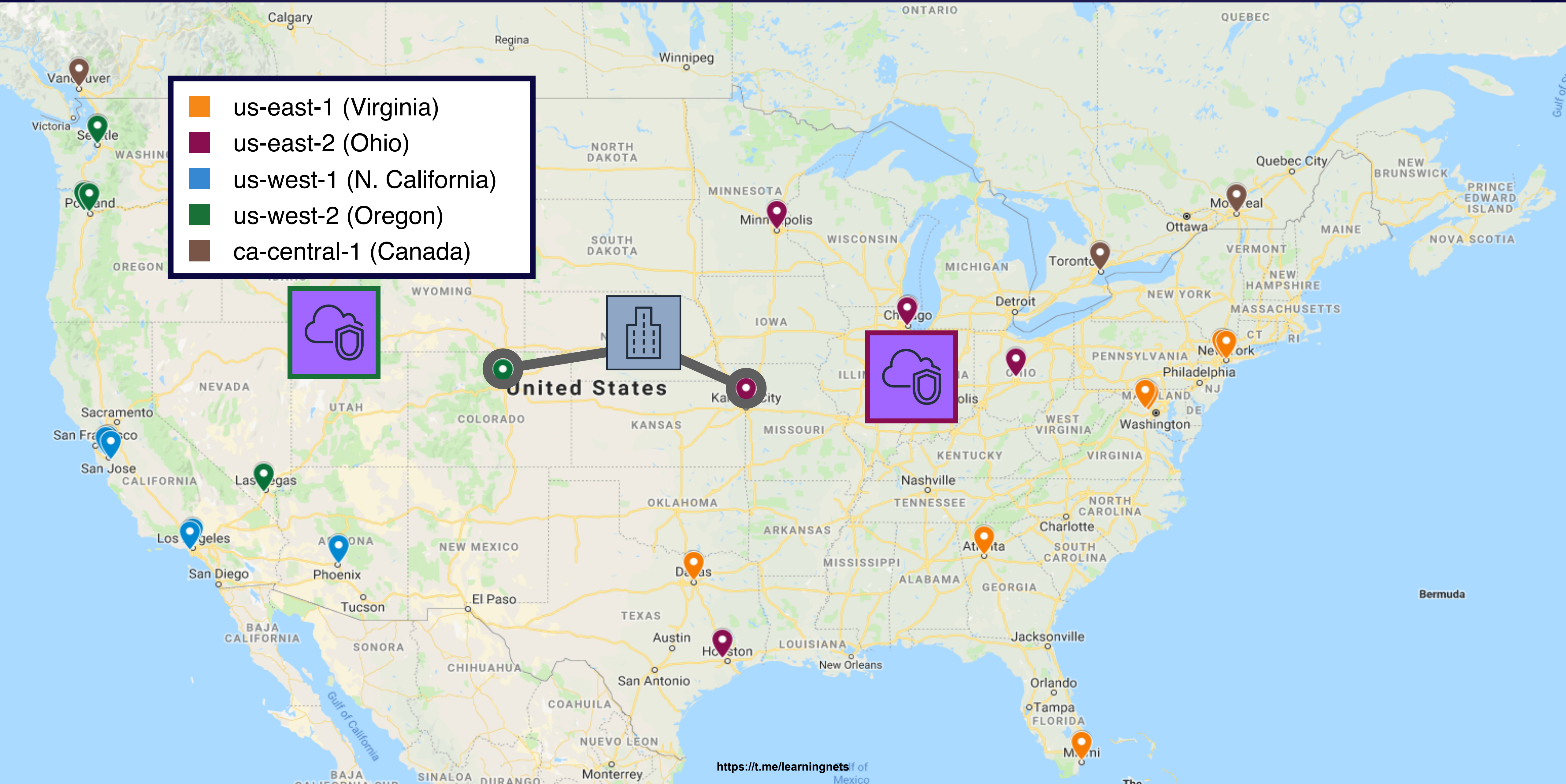
# AWS DX Components – DX Locations



# AWS DX Components – DX Locations



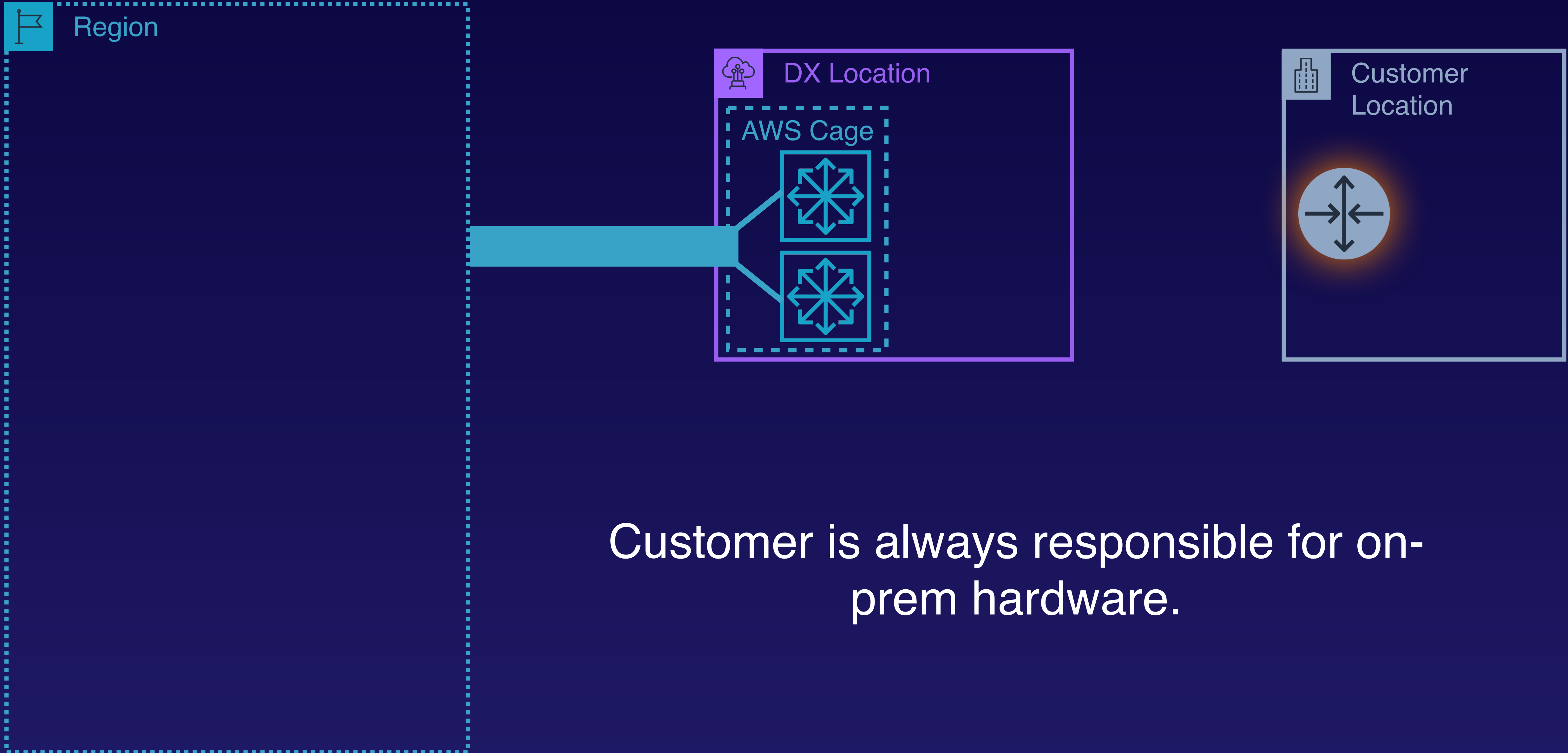
# AWS DX Components – DX Locations



# Hardware Configuration Requirements

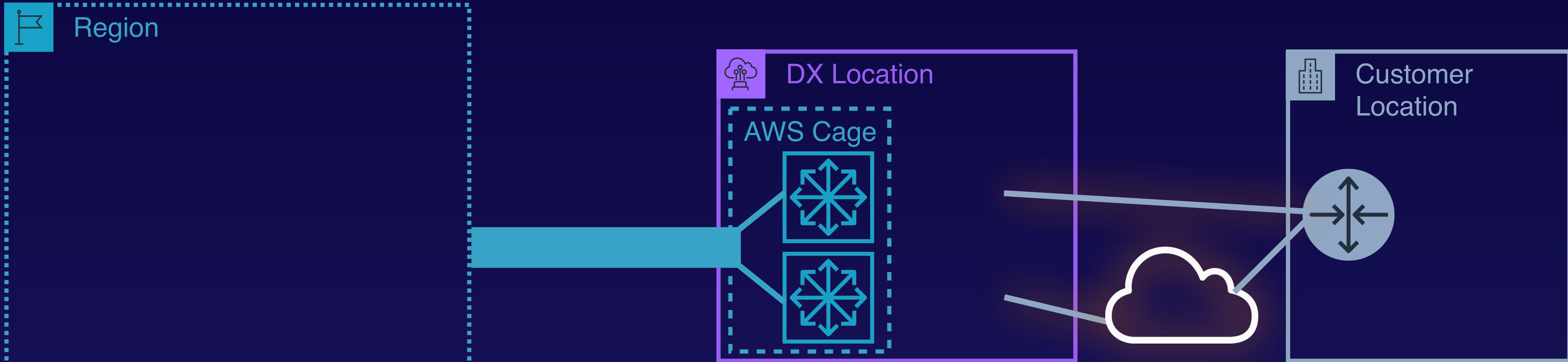
- Single-mode fiber.
- Either 1000BASE-LX (for 1 Gbps) or 10GBASE-LR (for 10 Gbps) transceivers.
- Disable auto-negotiation on all ports used with DX.
- 802.1Q VLAN encapsulation must be supported across entire connection.
- Devices must support BGP and BGP MD5 authentication.
- Bidirectional Forwarding Detection (BFD) is supported but not required.

# Hardware Configuration Requirements - All DX Connections



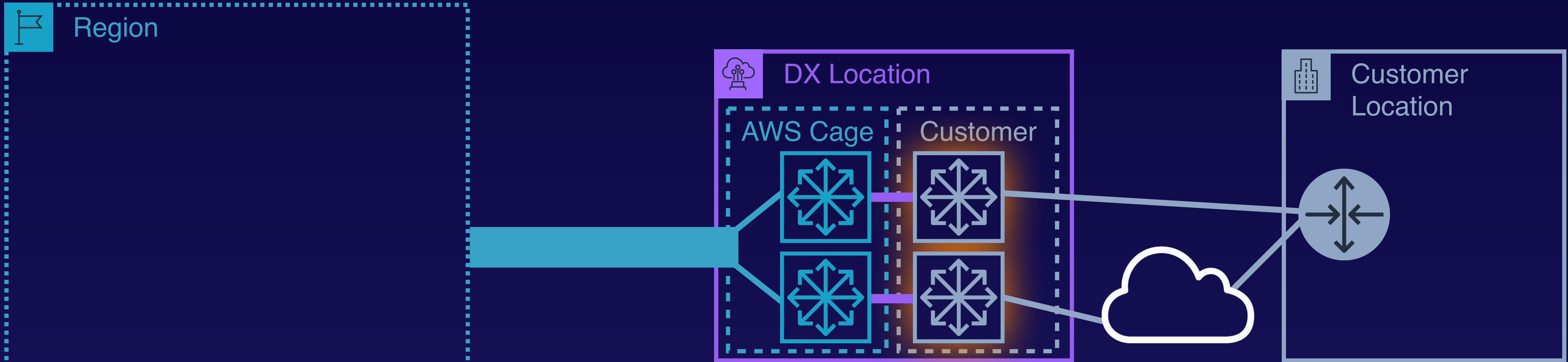
Customer is always responsible for on-prem hardware.

# Hardware Configuration Requirements - All DX Connections



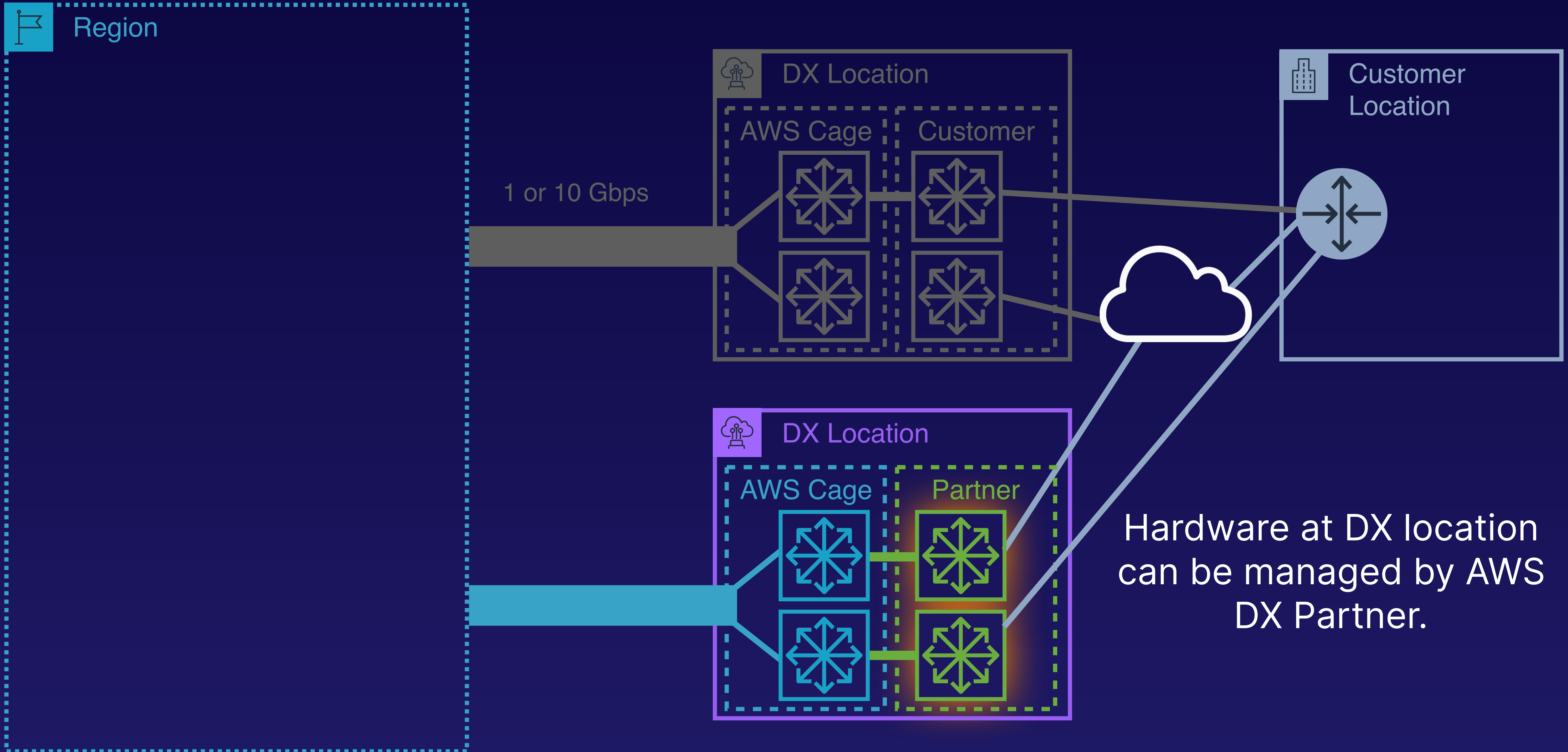
Customer must establish connection with DX Location using local telco carrier.

# Hardware Configuration Requirements - Dedicated Connection



Customer might be fully or partially responsible for hardware at DX location.

# Hardware Configuration Requirements - Hosted Connection



## Fast Takeaways

---

AWS Direct Connect provides higher quality connections for AWS hybrid networks.

---

Connectivity to a Direct Connect location is required.

---

All hardware used for DX connections must be correctly configured by the responsible party.