

6800

---

**6800 ASSEMBLY LANGUAGE PROGRAMMING**  
**BY LANCE A. LEVENTHAL**

---

6800



# **6800 Assembly Language Programming**

**Lance A. Leventhal**

**OSBORNE/McGraw-Hill  
Berkeley, California**

Published by  
**OSBORNE/McGraw-Hill**  
630 Bancroft Way  
Berkeley, California 94710  
U.S.A.

For information on translations and book distributors outside of the U.S.A.,  
please write OSBORNE/McGraw-Hill at the above address.

**6800 ASSEMBLY LANGUAGE PROGRAMMING**

Copyright © 1978 by McGraw-Hill, Inc. All rights reserved. Printed in  
the United States of America. No part of this publication may be reproduced,  
stored in any retrieval system, or transmitted in any form or by any means,  
electronic, mechanical, photocopying, recording or otherwise, without the  
prior written permission of the publisher.

Library of Congress Catalogue Card No. 78-108179

ISBN 0-931988-12-8

3456789 DODO 87654321

Cover design by Timothy Sullivan.

**This book is dedicated to my wife, Donna,  
and my daughter, Amanda Catherine.**

## About the Author

Lance Leventhal is a partner in Emulative Systems Company, Inc., a San Diego-based consulting firm specializing in microprocessors and microprogramming. He is a national lecturer on microprocessors for the IEEE, the author of ten books and more than 60 articles on microprocessors, and a regular contributor to such publications as **Simulation** and **Microcomputing**. He also serves a technical editor for the Society for Computer simulation and as contributing editor for **Digital Design** magazine.

Dr. Leventhal authored the original books in this series and has just begun work on a new series, Assembly Language Subroutines. He received a B.A. degree from Washington University in St. Louis, and M.S. and Ph.D. degrees from the University of California at San Diego. He is a member of SCS, ACM, IEEE, and the IEEE Computer Society.

<b>Chapter</b>	<b>CONTENTS</b>	<b>Page</b>	
<b>1</b>	Introduction to Assembly Language Programming	1-1	
	How This Book Has Been Printed	1-1	
	The Meaning of Instructions	1-1	
	A Computer Program	1-1	
	The Programming Problem	1-2	
	Using Octal or Hexadecimal	1-3	
	Instruction Code Mnemonics	1-4	
	The Assembler Program	1-5	
	Additional Features of Assemblers	1-6	
	Disadvantages of Assembly Language	1-6	
	High-Level Languages	1-7	
	Advantages of High-Level Languages	1-7	
	Disadvantages of High-Level Languages	1-8	
	High-Level Languages for Microprocessors	1-9	
	Which Level Should You Use?	1-11	
	How About the Future	1-12	
	Why This Book?	1-12	
	References	1-13	
	<b>2</b>	Assemblers	2-1
		Features of Assemblers	2-1
Assembler Instructions		2-1	
Labels		2-2	
Assembler Mnemonics		2-4	
Pseudo-Operations		2-4	
The Data Pseudo-Operation		2-5	
The Equate (or Define) Pseudo-Operation		2-6	
The Origin Pseudo-Operation		2-7	
The Reserve Pseudo-Operation		2-7	
Housekeeping Pseudo-Operations		2-8	
Labels with Pseudo-Operations		2-9	
Addresses and the Operand Field		2-9	
Conditional Assembly		2-11	
Macros		2-11	
Comments		2-13	
Types of Assemblers		2-14	
Errors		2-15	
Loaders		2-15	
<b>3</b>		The 6800 Assembly Language Instruction Set	3-1
	CPU Registers and Status Status Flags	3-1	
	6800 Memory Addressing Modes	3-5	
	Abbreviations	3-11	
	Instruction Object Codes	3-12	
	Instruction Execution Times and Codes	3-12	
	Motorola 6800 Assembler Conventions	3-92	
	Assembler Field Structure	3-92	
	Labels	3-92	
	Pseudo-Operations	3-92	
	Labels with Pseudo-Operations	3-93	
	Addresses	3-94	
	Other Assembler Features	3-94	
	References	3-95	

<b>Chapter</b>		<b>Page</b>
<b>4</b>	Simple Programs	4-1
	General Format of Examples	4-1
	Program Examples	4-2
	Problems	4-11
<b>5</b>	Simple Program Loops	5-1
	Examples	5-3
	Problems	5-15
<b>6</b>	Character-Coded Data	6-1
	Examples	6-2
	Problems	6-15
<b>7</b>	Code Conversion	7-1
	Examples	7-1
	Problems	7-10
	References	7-12
<b>8</b>	Arithmetic Problems	8-1
	Examples	8-1
	Problems	8-19
<b>9</b>	Tables and Lists	9-1
	Examples	9-1
	Problems	9-14
<b>10</b>	Subroutines	10-1
	Subroutine Documentation	10-2
	Examples	10-2
<b>11</b>	Input/Output	11-1
	Timing Intervals (Delays)	11-8
	Delay Routines	11-8
	Examples	11-9
	The 6820 Peripheral Interface Adapter (PIA)	11-12
	PIA Control Registers	11-15
	Configuring the PIA	11-16
	Examples of PIA Configuration	11-18
	Using the PIA to Transfer Data	11-20
	Examples	11-21
	Assembly Language Programs	11-31
	Examples	11-31
	Problems	11-48
	More Complex I/O Devices	11-49
	Examples	11-52
The 6850 Asynchronous Communications Interface Adapter (ACIA)	11-75	
Standard Interfaces	11-80	
Problems	11-80	
References	11-83	
<b>12</b>	Interrupts	12-1
	6800 Interrupt System	12-2
	Examples	12-7
	More General Service Routines	12-24
	Problems	12-25

<b>Chapter</b>		<b>Page</b>
<b>13</b>	Problem Definition and Program Design	13-1
	The Tasks of Software Development	13-1
	Definition of the Stages	13-3
	Problem Definition	13-3
	Defining the Inputs	13-3
	Defining the Outputs	13-4
	Processing Section	13-4
	Error Handling	13-5
	Human Factors	13-5
	Examples	13-6
	Review of Problem Definition	13-13
	Program Design	13-14
	Flowcharting	13-15
	Examples	13-16
	Modular Programming	13-23
	Examples	13-24
	Review of Modular Programming	13-25
	Structured Programming	13-25
	Examples	13-29
	Review of Structured Programming	13-35
	Top-Down Design	13-36
	Examples	13-37
	Review of Top-Down Design	13-41
Review of Problem Definition and Program Design	13-41	
References	13-42	
<b>14</b>	Debugging and Testing	14-1
	Simple Debugging Tools	14-1
	More Advanced Debugging Tools	14-6
	Debugging with Checklists	14-8
	Looking for Errors	14-9
	Introduction to Testing	14-20
	Selecting Test Data	14-21
	Testing Precautions	14-22
	Conclusions	14-23
	<b>15</b>	Documentation and Redesign
Self-Documenting Programs		15-1
Comments		15-2
Flowcharts as Documentation		15-6
Structured Programs as Documentation		15-6
Memory Maps		15-6
Parameter and Definition Lists		15-7
Library Routines		15-8
Library Examples		15-9
Total Documentation		15-11
Redesign		15-11
Reorganizing to Use Less Memory		15-12
Major Reorganizations		15-14
References	15-15	
<b>16</b>	Sample Projects	16-1
	References	16-26

## FIGURES

Figure		Page
5-1	Flowchart of a Program Loop	5-2
5-2	A Program Loop That Allows Zero Iterations	5-3
7-1	Seven-Segment Arrangement	7-3
11-1	An Output Demultiplexer Controlled by a Counter	11-3
11-2	An Output Demultiplexer Controlled by a Port	11-3
11-3	An Input Multiplexer Controlled by a Counter	11-4
11-4	An Input Multiplexer Controlled by a Port	11-4
11-5	An Input Handshake	11-6
11-6	An Output Handshake	11-7
11-7	Block Diagram of the 6820 Peripheral Adapter	11-14
11-8	A Pushbutton Circuit	11-22
11-9	A Toggle Switch Circuit	11-27
11-10	A Debounce Circuit Based on Cross-Coupled NAND Gates	11-27
11-11	A Multiple-Position Switch	11-31
11-12	A Multiple-Position Switch with an Encoder	11-32
11-13	Interfacing an LED	11-37
11-14	Interfacing a Seven-Segment Display	11-39
11-15	Seven-Segment Display Organization	11-40
11-16	Seven-Segment Representations of Decimal Digits	11-42
11-17	Multiplexed Seven-Segment Displays	11-47
11-18	A Small Keyboard	11-53
11-19	A Keyboard Matrix	11-53
11-20	I/O Arrangement for a Keyboard Scan	11-55
11-21	I/O Interface for an Encoded Keyboard	11-61
11-22	Signetics NE5018 D/A Converter	11-63
11-23	Interface for an 8-bit Digital-to-Analog Converter	11-64
11-24	Teledyne 8703 A/D Converter	11-66
11-25	Interface for an 8-bit Analog-to-Digital Converter	11-67
11-26	Teletypewriter Data Format	11-69
11-27	Flowchart for Receive Procedure	11-70
11-28	Flowchart for Transmit Procedure	11-72
11-29	Block Diagram of the 6850 ACIA	11-78
12-1	6800 State Transition Flowchart	12-3
12-2	Saving the Status of the Microprocessor in the Stack	12-5
13-1	Flowchart of Software Development	13-2
13-2	The Switch and Light System	13-6
13-3	The Switch-Based Memory Loader	13-8
13-4	Block Diagram of a Verification Terminal	13-10
13-5	Verification Terminal Keyboard	13-11
13-6	Verification Terminal Display	13-11
13-7	Standard Flowchart Symbols	13-15
13-8	Flowchart of One-Second Response to a Switch	13-17
13-9	Flowchart of Switch-Based Memory Loader	13-18
13-10	Flowchart of Keyboard Entry Process	13-19
13-11	Flowchart of Keyboard Entry Process with Send Key	13-20
13-12	Flowchart of Keyboard Entry Process with Function Keys	13-21

<b>Figure</b>		<b>Page</b>
13-13	Flowchart of Receive Routine	13-22
13-14	Flowchart of an Unstructured Program	13-26
13-15	Flowchart of the If-Then-Else Structure	13-27
13-16	Flowchart of the Do-While Structure	13-27
13-17	Initial Flowchart for Transaction Terminal	13-39
13-18	Flowchart for Expanded KEYBOARD Routine	13-40
14-1	A Simple Breakpoint Routine	14-3
14-2	Flowchart of Register Dump Program	14-4
14-3	Results of a Typical Register Dump (6800)	14-4
14-4	Results of a Typical Memory Dump	14-5
14-5	Flowchart of Decimal to Seven-Segment Conversion	14-12
14-6	Flowchart of Sort Program	14-15
16-1	I/O Configuration for a Digital Stopwatch	16-2
16-2	I/O Configuration for a Digital Thermometer	16-15
16-3	Analog Hardware	16-16
16-4	Thermistor Characteristics (Fenwal GA51J1 Bead)	16-17
16-5	Typical E-I Curve for Thermistor (25°C)	16-17
16-6	Generating an Internal Clock Frequency	16-18

## TABLES

<b>Table</b>		<b>Page</b>
1-1	Hexadecimal Conversion Table	1-4
2-1	The Fields of an Assembly Language Instruction	2-1
2-2	Standard 6800 Assembler Delimiters	2-2
2-3	Assigning and Using a Label	2-3
3-1	Frequently Used Instructions of the 6800	3-3
3-2	Occasionally Used Instructions of the 6800	3-4
3-3	Seldom Used Instructions of the 6800	3-4
3-4	A Summary of the 6800 Instruction Set	3-13
3-5	6800 Instruction Set Object Codes	3-22
6-1	Hex-ASCII Table	6-2
11-1	Addressing 6820 Internal Registers	11-13
11-2	Organization of the PIA Control Registers (Courtesy of Motorola)	11-13
11-3	Control of Interrupt Inputs CA1 and CB1	11-15
11-4	Control of CA2 and CB2 as Interrupt Inputs (CRA5 (CRB5) is low)	11-16
11-5	Control of CB2 as an Output (CRB5 is high)	11-17
11-6	Control of CA2 as an Output (CRA5 is high)	11-17
11-7	Data Input vs. Switch Position	11-31
11-8	Seven-Segment Representations of Decimal Numbers	11-42
11-9	Seven-Segment Representations of Letters and Symbols	11-43
11-10	Comparison Between Independent Connections and Matrix Connections for Keyboards	11-54
11-11	Definition of ACIA Register Contents	11-76
11-12	Meaning of the ACIA Control Register Bits	11-77
12-1	Memory Maps for 6800 Addresses Used in Response to Interrupts and Reset	12-4
14-1	6800 Interrupt Vectors	14-2
16-1	Input Connections for Timer Keyboard	16-2
16-2	Output Connections for Timer Keyboard	16-2

# Chapter 1

## INTRODUCTION TO ASSEMBLY LANGUAGE PROGRAMMING

This book describes assembly language programming. It assumes that you are familiar with An Introduction to Microcomputers: Volume 1 — Basic Concepts<sup>1</sup> (particularly Chapters 6 and 7). This book does not discuss the general features of computers, microcomputers, addressing methods, or instruction sets; you should refer to An Introduction to Microcomputers: Volume 1 for that information.

### HOW THIS BOOK HAS BEEN PRINTED

Notice that text in this book has been printed in boldface type and lightface type. This has been done to help you skip those parts of the book that cover subject matter with which you are familiar. You can be sure that lightface type only expands on information presented in the previous boldface type. Therefore, only read boldface type until you reach a subject about which you want to know more, at which point start reading the lightface type.

### THE MEANING OF INSTRUCTIONS

The instruction set of a microprocessor is the set of binary inputs that produce defined actions during an instruction cycle. An instruction set is to a microprocessor what a function table is to a logic device, such as a gate, adder, or shift register. Of course, the actions that the microprocessor performs in response to its instruction inputs are far more complex than the actions that logic devices perform in response to their inputs.

An instruction is a binary bit pattern — it must be available at the data inputs to the microprocessor at the proper time in order to be interpreted as an instruction. For example, when the 6800 microprocessor receives the 8-bit binary pattern 01001111 as the input during an instruction fetch, the pattern means:

**BINARY  
INSTRUCTIONS**

“Clear (put zero in) Accumulator A”

Similarly, the pattern 10000110 means:

“Load Accumulator A with the contents of the next word of program memory”

The microprocessor (like any other computer) only recognizes binary patterns as instructions or data; it does not recognize words or octal, decimal, or hexadecimal numbers.

### A COMPUTER PROGRAM

A program is a series of instructions that cause a computer to perform a particular task.

Actually, a computer program includes more than instructions; it also contains the data and memory addresses that the microprocessor needs to accomplish the tasks defined by the instructions. Clearly, if the microprocessor is to perform an addition, it must have two numbers to add and a place to put the result. The computer program must determine the sources of the data and the destination of the result as well as the operation to be performed.

**COMPUTER PROGRAM**

Most microprocessors execute instructions sequentially unless one of the instructions changes the execution sequence or halts the computer; i.e., the processor gets the next instruction from the next higher memory address unless the current instruction specifically directs it to do otherwise.

**Ultimately, every program is transformed into a set of binary numbers. For example, this is the 6800 program which adds the contents of memory locations 6016 and 6116 and places the result in memory location 6216:**

```
10010110
01100000
10011011
01100001
10010111
01100010
```

**This is a machine language, or object, program.** If this program were entered into the memory of a 6800-based microcomputer, the microcomputer would be able to execute it directly.

**OBJECT PROGRAM**  
**MACHINE LANGUAGE PROGRAM**

### THE PROGRAMMING PROBLEM

**There are many difficulties associated with creating programs as object, or binary machine language, programs. These are some of the problems:**

- 1) The programs are difficult to understand or debug (binary numbers all look the same, particularly after you have looked at them for a few hours).
- 2) The programs are slow to enter, since you must determine each bit individually.
- 3) The programs do not describe the task which you want the computer to perform in anything resembling a human-readable format.
- 4) The programs are long and tiresome to write.
- 5) The programmer often makes careless errors that are very difficult to find.

For example, **the following version of the addition object program contains a single bit error. Try to find it:**

```
10010110
01100000
10011011
01110001
10010111
01100010
```

Although the computer handles binary numbers with ease, people do not. People find binary programs long, tiresome, confusing, and meaningless. A programmer may eventually start remembering some of the binary codes, but such effort should be spent more productively.

## USING OCTAL OR HEXADECIMAL

**We can improve the situation somewhat by writing instructions as octal or hexadecimal, rather than binary, numbers. We will use hexadecimal numbers in this book** because they are shorter, and because they are the standard for the microprocessor industry. Table 1-1 defines the hexadecimal digits and their binary equivalents. **The 6800 program to add two numbers now becomes:**

**OCTAL OR  
HEXADECIMAL**

```

96
60
9B
61
97
62

```

At the very least, the hexadecimal version is shorter to write and not quite so tiring to examine.

**Errors are somewhat easier to find in a sequence of hexadecimal digits. The erroneous version of the addition program, in hexadecimal form, becomes:**

```

96
60
9B
71
97
62

```

**The mistake is easier to spot.**

**What do we do with this hexadecimal program? The microprocessor only understands binary instruction codes.** The answer is that we must convert the hexadecimal numbers to binary numbers. This conversion is a repetitive, tiresome task. People who attempt it make all sorts of petty mistakes, such as looking at the wrong line, dropping a bit, or transposing a bit or a digit.

This repetitive, grueling task is, however, a perfect job for a computer. The computer never gets tired or bored and never makes silly mistakes. The idea, then, is to write **a program which takes hexadecimal numbers, converts them into binary numbers, and places the binary numbers into the microcomputer memory. This is a standard program provided with many microprocessors; it is called a hexadecimal loader.**

**HEXADECIMAL  
LOADER**

Is a hexadecimal loader worth having? If you are willing to write a program using binary numbers and are prepared to enter the program in its binary form into the computer, then you will not need the hexadecimal loader.

If you choose the hexadecimal loader, you will have to pay a price for it. The hexadecimal loader is itself a program that you must load into memory. Furthermore, the hexadecimal loader will occupy memory — memory that you may want to use in some other way.

The basic tradeoff, therefore, is the cost and memory requirements of the hexadecimal loader versus the savings in programmer time.

A hexadecimal loader is well worth its small cost.

A hexadecimal loader certainly does not solve every programming problem. The hexadecimal version of the program is still difficult to read or understand; for example, it does not distinguish instructions from data or addresses, nor does the program listing

## 1-4 6800 Assembly Language Programming

provide any suggestion as to what the program does. What does 86 or 3F mean? Memorizing a card full of codes is hardly an appetizing proposition. Furthermore, the codes will be entirely different for a different microprocessor, and the program will require a large amount of documentation.

Table 1-1. Hexadecimal Conversion Table

Hexadecimal Digit	Binary Equivalent	Decimal Equivalent
0	0000	0
1	0001	1
2	0010	2
3	0011	3
4	0100	4
5	0101	5
6	0110	6
7	0111	7
8	1000	8
9	1001	9
A	1010	10
B	1011	11
C	1100	12
D	1101	13
E	1110	14
F	1111	15

## INSTRUCTION CODE MNEMONICS

**An obvious programming improvement is to assign a name to each instruction code. The instruction code name is called a mnemonic, or memory aid. The instruction mnemonic should describe in some way what the instruction does.**

In fact, every microprocessor manufacturer (they cannot remember hexadecimal codes either) provides a set of mnemonics for the microprocessor instruction set. **You do not have to abide by the manufacturer's mnemonics;** there is nothing sacred about them.

However, they are standard for a given microprocessor, and therefore understood by all users. These are the instruction names that you will find in manuals, cards, books, articles, and programs. The problem with selecting instruction mnemonics is that not all instructions have "obvious" names. Some instructions do (e.g., ADD, AND, OR), others have obvious contractions (e.g., SUB for subtraction, XOR for exclusive-OR), while still others have neither. The result is such mnemonics as WMP, PCHL, and even SOB (try to guess what that means!). Most manufacturers come up with some reasonable names and some hopeless ones. However, users who devise their own mnemonics rarely seem to do much better than the manufacturer.

**PROBLEM  
WITH  
MNEMONICS**

Along with the instruction mnemonics, the manufacturer will usually assign names to the CPU's registers. As with the instruction names, some register names are obvious (e.g., A for Accumulator) while others may have only historical significance. Again, we will use the manufacturer's suggestions simply to promote standardization.

If we use standard 6800 instruction and register mnemonics, as defined by Motorola, our 6800 addition program becomes:

```
LDAA
60
ADDA
61
STAA
62
```

<b>ASSEMBLY LANGUAGE PROGRAM</b>
--

The program is still far from obvious, but at least some parts of it are comprehensible. ADDA is a considerable improvement over 9B; LDAA and STAA do suggest loading and storing, respectively. We now know which lines are instructions and which are data or addresses. **Such a program is an assembly language program.**

## THE ASSEMBLER PROGRAM

How do we get the assembly language program into the computer? We have to translate it, either into hexadecimal or into binary numbers. **You can translate an assembly language program by hand**, instruction by instruction. This is called hand assembly.

<b>HAND ASSEMBLY</b>
--------------------------

Hand assembly of a three-instruction sequence may be illustrated as follows:

Instruction Name	Addressing Method	Hexadecimal Equivalent
LDAA direct	direct	96
ADDA direct	direct	9B
STAA direct	direct	97

As in the case of hexadecimal to binary conversion, hand assembly is a rote task which is uninteresting, repetitive, and subject to numerous minor errors. Picking the wrong line, transposing digits, omitting instructions, and misreading the codes are only a few of the mistakes that you may make. Most microprocessors complicate the task even further by having instructions with different word lengths. Some instructions are one word long, while others are two or three words long. Some instructions require data in the second and third words; others require memory addresses, register numbers, or other information.

**Assembly is another rote task that we can assign to the microcomputer. The microcomputer never makes any mistakes when translating codes; it always knows how many words and what format each instruction requires. The program that does this job is an Assembler. The Assembler program translates a user program, or source program written with mnemonics, into a machine language program, or object program, which the microcomputer can execute. The Assembler's input is a source program, and its output is an object program.**

<b>ASSEMBLER</b>
<b>SOURCE PROGRAM</b>
<b>OBJECT PROGRAM</b>

**The tradeoffs that we discussed in connection with the hexadecimal loader are magnified in the case of the Assembler.** Assemblers are more expensive, occupy more memory, and require more peripherals and execution time than do hexadecimal loaders. While users may (and often do) write their own loaders, few care to write their own assemblers.

**Assemblers have their own rules that you must learn to abide by.** These include the use of certain markers (such as spaces, commas, semicolons, or colons) in appropriate places, correct spelling, the proper control information, and perhaps even the correct placement of names and numbers. These rules typically are a minor hindrance that can be quickly overcome.

## ADDITIONAL FEATURES OF ASSEMBLERS

Early assembler programs did little more than translate the mnemonic names of instructions and registers into their binary equivalents. However, most assemblers now provide such additional features as:

- 1) Allowing the user to assign names to memory locations, input and output devices, and even sequences of instructions.
- 2) Converting data or addresses from various number systems (e.g., decimal or hexadecimal) to binary and converting characters into their ASCII or EBCDIC binary codes.
- 3) Performing some arithmetic as part of the assembly process.
- 4) Telling the loader program where in memory parts of the program or data should be placed.
- 5) Allowing the user to assign areas of memory as temporary data storage and to place fixed data in areas of program memory.
- 6) Providing the information required to include standard programs from program libraries, or programs written at some other time, in the current program.
- 7) Allowing the user to control the format of the program listing and the input and output devices employed.

All of these features, of course, involve additional cost and memory. Microcomputers generally have much simpler assemblers than do larger computers, but the tendency always is for the size of assemblers to increase. You will often have a choice of assemblers.

The important criterion is not how many off-beat features the Assembler has, but rather how convenient it is to use in normal practice.

**CHOOSING  
AN  
ASSEMBLER**

## DISADVANTAGES OF ASSEMBLY LANGUAGE

**The Assembler, like the hexadecimal loader, does not solve all the problems of programming. One problem is the tremendous gap between the microcomputer instruction set and the tasks which the microcomputer is to perform.** Computer instructions tend to do things like add the contents of two registers, shift the contents of the Accumulator one bit, or place a new value in the Program Counter. On the other hand, a user generally wants a microcomputer to do something like check if an analog reading has exceeded a threshold, look for and react to a particular command from a teletypewriter, or activate a relay at the proper time. An assembly language programmer must translate such tasks into a sequence of simple computer instructions. The translation can be a difficult, time-consuming job.

Furthermore, **if you are programming in assembly language, you must have detailed knowledge of the particular microcomputer that you are using.** You must know what registers and instructions the microcomputer has, precisely how the instructions affect the various registers, what addressing methods the computer uses, and a myriad of other information. None of this information is relevant to the task which the microcomputer must ultimately perform.

In addition, **assembly language programs are not portable**. Each microcomputer has its own assembly language, which reflects its own architecture. An assembly language program written for the 6800 will not run on the 8080, the F8, or the PACE. For example, the addition program written for the 8080 would be:

**PORTABILITY**

```
LDA    60H
MOV    B,A
LDA    61H
ADD    B
STA    62H
```

The lack of portability not only means that you will not be able to use your assembly language program on another microcomputer; it also means that you will not be able to use any programs that were not specifically written for the microcomputer you are using. This is a particular drawback for microcomputers, since these devices are new and few assembly language programs exist for them. The result, too frequently, is that you are on your own. If you need a program to perform a particular task, you are not likely to find it in the small program libraries that most manufacturers provide. Nor are you likely to find it in an archive, journal article, or someone's old program file. You will probably have to write it yourself.

## HIGH-LEVEL LANGUAGES

**The solution to many of the difficulties associated with assembly language programs is to use, instead, "high-level" or "procedure-oriented" languages. Such languages allow you to describe tasks in forms that are problem-oriented rather than computer-oriented. Each statement in a high-level language performs a recognizable function; it will generally correspond to many assembly language instructions. A program called a Compiler translates the high-level language source program into object-code or machine-language instructions.**

**COMPILER**

Many different high-level languages exist for different types of tasks. If, for example, you can express what you want the computer to do in algebraic notation, you can write your program in FORTRAN (FORmula TRANslation language), the oldest and most widely used of the high-level languages. Now, if you want to add two numbers, you just tell the computer:

**FORTRAN**

```
SUM = NUMB1 + NUMB2
```

That is a lot simpler (and a lot shorter) than either the equivalent machine language program or the equivalent assembly language program. Other high-level languages include COBOL (for business applications), ALGOL and PASCAL (other algebraic languages), PL/1 (a combination of FORTRAN, ALGOL and COBOL), and APL and BASIC (languages that are popular for time-sharing systems).

## ADVANTAGES OF HIGH-LEVEL LANGUAGES

**Clearly, high-level languages make programs easier and faster to write. A common estimate is that a programmer can write a program about ten times as fast in a high-level language as compared to assembly language.** That is just writing the program; it does not include problem definition, program design, debugging, testing, or documentation, all of which become simpler and faster. The high-level language program is, for instance, partly self-documenting. Even if you do not know FORTRAN, you probably could tell what the statement illustrated above does.

**High-level languages solve many other problems associated with assembly language programming.** The high-level language has its own syntax (usually defined by a national or international standard). The language does not mention the instruction set, registers, or other features of a particular computer. The compiler takes care of all such details. Programmers can concentrate on their own tasks; they do not need a detailed understanding of the underlying CPU architecture -- for that matter, they do not need to know anything about the computer they are programming.

**MACHINE  
INDEPENDENCE  
OF HIGH-LEVEL  
LANGUAGES**

**Programs written in a high-level language are portable -- at least, in theory.** They will run on any computer that has a standard compiler for that language.

**PORTABILITY  
OF HIGH-LEVEL  
LANGUAGES**

At the same time, all previous programs written in a high-level language for prior computers are available to you when programming a new computer. This can mean thousands of programs in the case of a common language like FORTRAN or BASIC.

### DISADVANTAGES OF HIGH-LEVEL LANGUAGES

**Well, if all the good things we have said about high-level languages are true, if you can write programs faster and make them portable besides, why bother with assembly languages? Who wants to worry about registers, instruction codes, mnemonics, and all that garbage! As usual, there are disadvantages that balance the advantages.**

One obvious problem is that **you have to learn the "rules" or "syntax" of any high-level language** you want to use. A high-level language has a fairly complicated set of rules. You will find that it takes a lot of time just to get a program that is syntactically correct (and even then it probably will not do what you want). A high-level computer language is like a foreign language. If you have a little talent, you will get used to the rules and be able to turn out programs that the compiler will accept. Still, learning the rules and trying to get the program accepted by the compiler do not contribute directly to doing your job.

**SYNTAX OF  
HIGH-LEVEL  
LANGUAGES**

Here, for example, are some FORTRAN rules:

- Labels must consist entirely of numbers and must be placed in the first five card columns
- Statements must start in column seven
- Integer variables must start with the letters I, J, K, L, M or N

Another obvious problem is that **you need a compiler to translate programs written in a high-level language to machine language. Compilers are expensive and use a large amount of memory. While most assemblers occupy 2K to 16K bytes of memory (1K = 1024), compilers usually occupy much more memory. So, the amount of overhead involved in using the compiler is rather large.**

**COST OF  
COMPILERS**

Furthermore, **only some compilers will make the implementation of your task simpler.** FORTRAN, for example, is well-suited to problems that can be expressed as algebraic formulas. If, however, your problem is controlling a printer, editing a string of characters, or monitoring an alarm system, your problem cannot be easily expressed in algebraic notation. In fact, formulating the solution in algebraic notation may be more awkward and more difficult than formulating it in assembly language. The answer is, of course, to use a more suitable high-level language. Some such languages exist, but they are far less

**ALGEBRAIC  
NOTATION**

widely used and standardized than FORTRAN. You will not get many of the advantages of high-level languages if you use these so-called system implementation languages.

**High-level languages often do not produce very efficient machine language programs.**

The basic reason for this is that compilation is an automatic process which is riddled with compromises to allow for many possibilities. The compiler works much like a computerized language translator -- sometimes the words are right, but the sounds and sentence structures are awkward. A simple compiler cannot know when a variable is no longer being used and can be discarded, when a register should be used rather than a memory location, or when variables have simple relationships. The experienced programmer can take advantage of shortcuts to shorten execution time or reduce memory usage. A few compilers (known as optimizing compilers) can also do this, but such compilers are much larger and slower than regular compilers.

**INEFFICIENCY  
OF HIGH-LEVEL  
LANGUAGES**

**OPTIMIZING  
COMPILER**

The general advantages and disadvantages of high-level languages are:

**Advantages:**

- More convenient descriptions of tasks
- Greater programmer productivity
- Easier documentation
- Standard syntax
- Independence of the structure of a particular computer
- Portability
- Availability of library and other programs

**ADVANTAGES  
OF HIGH-LEVEL  
LANGUAGES**

**Disadvantages:**

- Special rules
- Extensive hardware and software support required
- Orientation of common languages to algebraic or business problems
- Inefficient programs
- Difficulty of optimizing code to meet time and memory requirements
- Inability to use special features of a computer conveniently

**DISADVANTAGES  
OF HIGH-LEVEL  
LANGUAGES**

## HIGH-LEVEL LANGUAGES FOR MICROPROCESSORS

**Microprocessor users will encounter several special difficulties when using high-level languages. Among these are:**

- **Few high-level languages exist for microprocessors**
- **No standard languages are widely available**
- **Few compilers actually run on microcomputers. Those that do often require very large amounts of memory**
- **Most microprocessor applications are not well-suited to high-level languages**
- **Memory costs are often critical in microprocessor applications**

The lack of high-level languages is partly a result of the fact that microprocessors are quite new and are the products of semiconductor manufacturers rather than computer manufacturers. Very few high-level languages exist for microprocessors. The most common are the PL/1-type languages such as Intel's PL/M, Motorola's MPL, and Signetics' PL $\mu$ S.

Even the few high-level languages that exist do not conform to recognized standards, so the microprocessor user cannot expect to gain much program portability, access to program libraries, or use of previous experience or programs. The main advantages remaining are the reduction in programming effort and the smaller amount of detailed understanding of the computer architecture that is necessary.

The overhead involved in using a high-level language with microprocessors is considerable. Microprocessors themselves are better suited to control and slow interactive applications than they are to the character manipulation and language analysis involved in compilation. Therefore, most compilers for microprocessors will not run on a microprocessor-based system. Instead, they require a much larger computer; i.e., they are cross-compilers rather than self-compilers. A user must not only bear the expense of the larger computer, he must also physically transfer the program from the larger computer to the microprocessor-based computer.

**OVERHEAD  
FOR  
HIGH-LEVEL  
LANGUAGES**

A few self-compilers are available. These compilers run on the microcomputer for which they produce object code. Unfortunately, they require large amounts of memory (16K or more), plus special supporting hardware and software.

High-level languages also are not generally well-suited to microprocessor applications. Most of the common languages were devised either to help solve scientific problems or to handle large-scale business data processing. Few microprocessor applications fall in either of these areas. Most microprocessor applications involve sending data and control information to output devices and receiving data and status information from input devices. Often the control and status information consists of a few binary digits with very precise hardware-related meanings. If you try to write a typical control program in a high-level language, you often feel like someone who is trying to eat soup with chopsticks. For tasks in such areas as test equipment, terminals, navigation systems, and business equipment, the high-level languages work much better than they do in instrumentation, communications, peripherals, and automotive applications.

**UNSUITABILITY  
OF HIGH-LEVEL  
LANGUAGES**

Applications better suited to high-level languages are those which require large memories. If the cost of a single memory chip is important, as in a valve controller, electronic game, appliance controller, or small instrument, then the inefficiency of high-level languages is intolerable. If, on the other hand, the system has many thousands of bytes of memory anyway, as in a terminal or test equipment, the inefficiency of high-level languages is not as important. Clearly, the size of the program and the volume of the product are important factors as well. A large program will greatly increase the advantages of high-level languages. On the other hand, a high-volume application will mean that fixed software development costs are not as important as memory costs that are part of each system.

**APPLICATION  
AREAS FOR  
LANGUAGE  
LEVELS**

## WHICH LEVEL SHOULD YOU USE?

**That depends on your particular application. Let us briefly note some of the factors which may favor particular levels:**

### Machine Language

- Virtually no one programs in machine language. Its use cannot be justified considering the low cost of an assembler.

**APPLICATIONS  
FOR MACHINE  
LANGUAGE**

### Assembly Language

- Small to moderate-sized programs
- Applications where memory cost is a factor
- Real-time control applications
- Limited data processing
- High-volume applications
- More input/output or control than computation

**APPLICATIONS  
FOR ASSEMBLY  
LANGUAGE**

### High-Level Languages

- Large programs
- Low-volume applications requiring long programs
- Applications requiring large memories
- More computation than input/output or control
- Compatibility with similar applications using larger computers
- Availability of specific programs in a high-level language which can be used in the application

**APPLICATIONS  
FOR HIGH-LEVEL  
LANGUAGE**

Many other factors are also important, such as the availability of a large computer for use in development, experience with particular languages, and compatibility with other applications.

If hardware will ultimately be the largest cost in your application or if speed is critical, you should favor assembly language. But be prepared to spend extra time in software development in exchange for lower memory costs and higher execution speeds. If software will be the largest cost in your application, you should favor a high-level language. But be prepared to spend the extra money required for the supporting hardware and software.

Of course, no one except some theorists will object if you use both assembly and high-level languages. You can write the program originally in a high-level language and then patch some sections in assembly language. However, most users prefer not to do this because of the havoc it creates in debugging, testing and documentation.

## HOW ABOUT THE FUTURE?

**We expect that the future will tend to favor high-level languages, for the following reasons:**

**FUTURE TRENDS  
IN LANGUAGE  
LEVELS**

- Programs always seem to accumulate extra features and grow larger
- Hardware and memory are becoming less expensive
- Software and programmers are becoming more expensive
- Memory chips are becoming available in larger sizes at lower "per bit" cost, so actual savings in memory cost are less likely
- More suitable and more efficient high-level languages are being developed
- More standardization of high-level languages will occur

Assembly language programming of microprocessors will not be a dying art any more than it is now for large computers. But longer programs, cheaper memory, and more expensive programmers will make software costs a larger part of most applications. The edge in many applications will therefore go to high-level languages.

## WHY THIS BOOK?

**If the future would seem to favor high-level languages, why have a book on assembly language programming? The reasons are:**

- 1) Most current microcomputer users program in assembly language (almost 2/3, according to one recent survey).
- 2) Many microcomputer users will continue to program in assembly language, since they need the detailed control that it provides.
- 3) No suitable high-level language has yet become widely available or standardized.
- 4) Many applications require the efficiency of assembly language.
- 5) An understanding of assembly language can help in evaluating high-level languages.

The rest of this book will deal exclusively with assemblers and assembly language programming. However, we do want readers to know that assembly language is not the only alternative. You should watch for new developments that may significantly reduce programming costs, if such costs are a major factor in your application.

## REFERENCES

- <sup>1</sup> Osborne, Adam. An Introduction to Microcomputers: Volume 1 — Basic Concepts. 2nd Edition. Berkeley: Osborne/McGraw-Hill, 1980.



# Chapter 2

## ASSEMBLERS

This chapter discusses the functions performed by assemblers, beginning with features common to most assemblers and proceeding through more elaborate capabilities such as macros and conditional assembly. **You may wish to skim this chapter for the present and return to it when you feel more comfortable with the material.**

### FEATURES OF ASSEMBLERS

As we mentioned previously, today's assemblers do much more than translate assembly language mnemonics into binary codes. We will describe how an assembler handles the translation of mnemonics before describing additional assembler features. Finally, we will explain how assemblers are used.

#### ASSEMBLER INSTRUCTIONS

Assembly language instructions (or "statements") are divided into a number of fields, as shown in Table 2-1.

**ASSEMBLY  
LANGUAGE  
FIELDS**

The operation code field is the only field which can never be empty; it always contains either an instruction mnemonic or a directive to the Assembler, called a pseudo-instruction, pseudo-operation, or pseudo-op.

The address field may contain an address or data, or it may be blank.

Table 2-1. The Fields of an Assembly Language Instruction

Label Field	Operation Code or Mnemonic Field	Operand or Address Field	Comment Field
START	LDA ADDA STAA	VAL1 VAL2 SUM	LOAD FIRST NUMBER INTO A ADD SECOND NUMBER TO A STORE SUM
NEXT	?	?	NEXT INSTRUCTION
VAL1	RMB	1	
VAL2	RMB	1	
SUM	RMB	1	

The comment and label fields are optional. A programmer will assign a label to a statement or add a comment as a personal convenience; e.g., to make the program easier to use and read.

**Of course, the Assembler must have some way of telling where one field ends and another begins.**

**FORMAT**

Assemblers which use punched card input often require that each field start in a specific card column. This is a fixed format. However, fixed formats are inconvenient and a nuisance to programmers. The alternative is a free format where the fields may appear anywhere on the line.

If the Assembler cannot use the position on the line to tell the fields apart, it must use something else. **Most assemblers use a special symbol or delimiter at the beginning or end of each field.**

**DELIMITER**

The most common delimiter is the space character. Commas, periods, semi-colons, slashes, question marks and other characters which would not otherwise be used in assembly language programs also may serve as delimiters. Table 2-2 lists standard Motorola 6800 Assembler delimiters.

**You will have to exercise a little care with delimiters. Some assemblers are fussy about extra spaces or the appearance of delimiters in comments or labels. A well-written assembler will handle these minor problems, but many assemblers are not well-written. Our recommendation is simple: avoid potential problems if you can. The following rules will help:**

- 1) Do not use extra spaces, particularly after commas that separate operands.
- 2) Do not use delimiter characters in names or labels.
- 3) Include standard delimiters even if your Assembler does not require them. Your programs will then be acceptable to any assembler.

Table 2-2. Standard 6800 Assembler Delimiters

'space'	between label and operation code, between operation code and address, and before an entry in the comment field.
	between operands in the address field
*	before an entire line of comments

## LABELS

**The label field is the first field of an assembly language instruction;** it may be blank. If a label is present, the Assembler

**LABEL FIELD**

assigns to the label the value of the address of the memory location into which the first byte of the object program resulting from that instruction will be loaded. You may subsequently use the label as an address or as data in another instruction's address field. The Assembler will replace the label with the assigned value when creating an object program.

**Labels are most frequently used by Jump, Call, or Branch instructions.** These instructions place a new value in the Program Counter, and so alter the normal sequential execution of instructions.

**LABELS IN JUMP INSTRUCTIONS**

JUMP 1E50<sub>16</sub> means "place the value 1E50<sub>16</sub> in the Program Counter". The next instruction to be executed will be the one in memory location 1E50<sub>16</sub>. The instruction JUMP START means "place the value assigned to the label START in the Program Counter". The next instruction to be executed will be the one in the memory location which corresponds to the label START. Table 2-3 contains an example.

Table 2-3. Assigning and Using a Label

```

ASSEMBLY LANGUAGE PROGRAM
START      LOAD ACCUMULATOR 100
.
.
.
          MAIN PROGRAM
.
.
          JUMP START

```

When the machine language version of this program is executed, the instruction JUMP START causes the address of the instruction labeled START to be placed in the Program Counter. That instruction will then be executed.

**Why use a label? Here are some reasons:**

- 1) A label makes a program location easier to find and remember.
- 2) The label can be moved to correct a program. You do not have to change any subsequent instructions that use the label; the Assembler will make all the necessary changes.
- 3) The Assembler or Loader can relocate the whole program by adding a constant (a relocation constant) to each address to which a label was assigned. Thus, we can move the program to allow for the insertion of other programs or simply to rearrange memory.
- 4) The program is easier to use as a library program; i.e., it is easier for someone else to take your program and add it to some totally different program.
- 5) You do not have to figure out memory addresses. Figuring out memory addresses is particularly difficult with microprocessors which have instructions that vary in length.

**RELOCATION  
CONSTANT**

It makes sense to assign a label to any instruction that you might want to use as a destination or otherwise identify.

**The next question is what label to use. The Assembler often places some restrictions** on the number of characters (usually 5 or 6), the leading character (often must be a letter), and the trailing characters (often must be letters, numbers, or one of a few special characters). Beyond these restrictions, the choice is up to you.

**CHOOSING  
LABELS**

Our own preference is to use labels that suggest their purpose; i.e., mnemonic labels. Typical examples are ADDW in a routine that adds one word into a sum, SRET in a routine that searches for the ASCII character ETX, or NKEYS for a location in data memory that contains the number of key entries. Meaningful labels are easier to remember, and contribute to program documentation. Some programmers prefer to use a standard format for labels, such as starting with L0000. These labels are self-sequencing (you can skip a few numbers to permit insertions), but they do not help document the program.

**Some label selection rules will keep you out of trouble. We recommend the following:**

**RULES OF  
LABELING**

- 1) Do not use labels that are the same as operation codes or other mnemonics. Most assemblers will not allow this usage; others will, but it is very confusing.

## 2-4 6800 Assembly Language Programming

- 2) Do not use labels that are longer than the Assembler permits. Assemblers have various truncation rules.
- 3) Avoid special characters (non-alphabetic and non-numeric). Some assemblers will not permit them; others only allow certain ones. The simplest practice is to stick to letters and numbers.
- 4) Start each label with a letter. Such labels are always acceptable.
- 5) Do not use labels that could be confused with each other. Avoid the letters I, O, Z and the numbers 0, 1 and 2. Also avoid things like XXXX and XXXXX, as these are not easily distinguishable.
- 6) When you are not sure if a label is allowed, do not use it. You will not get any real benefit from discovering exactly what the Assembler will accept.

These are recommendations, not rules. You do not have to follow them, but do not blame us if you waste time on silly problems.

### ASSEMBLER MNEMONICS

**The main task of the Assembler is the translation of mnemonics into their binary operation code equivalents.** The Assembler performs this task using a fixed table, much as you would if you were doing the assembly by hand.

**The Assembler** must, however, do more than just translate the operation codes. It **must also somehow determine how many operands the instruction requires and what type they are.** This may be rather complex — some instructions (like a Wait for Interrupt instruction) have no operands, others (like a Jump instruction) have one, while still others require two. Some instructions may even allow alternatives, e.g., some computers have instructions (like Shift or Clear) which can either apply to the Accumulator or to a memory location. We will not discuss how the Assembler makes these distinctions; we will just note that it must do so.

### PSEUDO-OPERATIONS

**Some assembly language instructions are not directly translated into machine language instructions. These instructions are directives to the Assembler;** they assign the program to certain areas in memory, define symbols, designate areas of RAM for temporary data storage, place tables or other fixed data in memory, and perform other housekeeping functions.

<b>PSEUDO- OPERATIONS</b>
<b>ASSEMBLER DIRECTIVE</b>

To use these directives or pseudo-operations, a programmer places the pseudo-operation's mnemonic in the operation code field and an address or data in the address field, if the specified pseudo-operation requires it.

The most common pseudo-operations are:

DATA  
EQUATE or DEFINE  
ORIGIN  
RESERVE

Different assemblers use different names for these operations, but their functions are the same. Housekeeping pseudo-operations include:

END  
LIST  
NAME  
PAGE  
SPACE  
TITLE

We will discuss these pseudo-operations briefly, although their functions are usually obvious.

## THE DATA PSEUDO-OPERATION

**The Data pseudo-operation allows the programmer to enter fixed data into program memory.** This data may include:

- Lookup tables
- Code conversion tables
- Messages
- Synchronization patterns
- Thresholds
- Names
- Coefficients for equations
- Commands
- Conversion factors
- Weighting factors
- Characteristic times or frequencies
- Subroutine addresses
- Key identifications
- Test patterns
- Character generation patterns
- Identification patterns
- Tax tables
- Standard forms
- Masking patterns
- State transition tables

The Data pseudo-operation treats the data as a permanent part of the program.

**The format of a Data pseudo-operation is usually quite simple. An instruction like**

```
DZCON DATA 12
```

**will place the number 12 in the next available memory location and assign that location the name DZCON.** Usually every Data pseudo-operation has a label, unless it is one of a series of Data pseudo-operations. The data and label may take any form that the Assembler permits.

Most assemblers allow more elaborate Data instructions that handle a large amount of data at one time, e.g.:

```
EMESS DATA 'ERROR'
SQRS DATA 1,4,9,16,25
```

A single instruction may fill many words of program memory, limited only by the length of a line. Note that if you cannot get all the data on one line, you can always follow one Data instruction with another, e.g.,

```
MESSG DATA 'NOW IS THE '
DATA 'TIME FOR ALL '
DATA 'GOOD MEN '
DATA 'TO COME TO THE '
DATA 'AID OF THEIR '
DATA 'COUNTRY.'
```

Microprocessor assemblers typically have some variations of standard Data pseudo-operations. DEFINE BYTE or FORM CONSTANT BYTE handles 8-bit numbers; DEFINE WORD or FORM CONSTANT WORD handles 16-bit numbers or addresses. Other special pseudo-operations may handle character-coded data.

## THE EQUATE (or DEFINE) PSEUDO-OPERATION

The Equate pseudo-operation allows the programmer to equate names with addresses or data. This pseudo-operation is almost always given the mnemonic EQU. The names may refer to device addresses, numeric data, starting addresses, fixed addresses, etc.

DEFINING  
NAMES

The Equate pseudo-operation assigns the numeric value in its operand field to the name in its label field. Here are two examples:

```
TTY    EQU    5
LAST   EQU    5000
```

Most assemblers will allow you to define one label in terms of another, e.g.:

```
LAST   EQU    FINAL
ST1    EQU    START+1
```

The label in the operand field must, of course, have been previously defined. Often, the operand field may contain more complex expressions, as we shall see later. Double name assignments (two names for the same data or address) may be useful in patching together programs that use different names for the same variable (or different spellings of what was supposed to be the same name).

**Note that an EQU pseudo-operation does not cause the Assembler to place anything in program memory. The Assembler simply places an additional name in a table (called a symbol table).** This table, unlike the mnemonic table, must be in RAM since it varies with each program. The Assembler program will always need some RAM to hold the symbol table; the more RAM it has, the more symbols it can accept. This RAM is in addition to any that the Assembler needs as temporary storage.

SYMBOL  
TABLE

**When do you use a name?** The answer is whenever you have a parameter that you might want to change or that has some meaning besides its ordinary numeric value. We typically assign names to time constants, device addresses, masking patterns, conversion factors, and the like. A name like DELAY, TTY, KBD, KROW or OPEN not only makes the parameter easier to change, it also adds to program documentation. We also assign names to memory locations that have special purposes; they may hold data, mark the start of the program, or be available for intermediate storage.

USE OF  
NAMES

**What name do you use?** The best rules are much the same as in the case of labels, except that here meaningful names really count. Why not call the teletypewriter TTY instead of X15, a bit time delay BTIME or BTDLY rather than WW, the number of the "GO" key on a keyboard GOKEY rather than HORSE? This advice seems straightforward, but a surprising number of programmers do not follow it.

CHOICE  
OF  
NAMES

**Where do you place the Equate pseudo-operations?** The best place is at the start of the program, under appropriate comment headings such as I/O Addresses, Temporary Storage, Time Constants, or Program Locations. This makes the definitions easy to find if you want to change them. Furthermore, another user will be able to look up all the definitions in one centralized place. Clearly this practice improves documentation and makes the program easier to use.

PLACEMENT  
OF  
DEFINITIONS

Definitions used only in a specific subroutine should appear at the start of the subroutine.

## THE ORIGIN PSEUDO-OPERATION

**The Origin pseudo-operation (almost always abbreviated ORG) allows the programmer to assemble programs, subroutines or data anywhere in memory.** Programs and data may be located in different areas of memory depending on the memory configuration. Startup routines, interrupt service routines, and other required programs may be scattered around memory at fixed or convenient addresses.

The Assembler maintains a Location Counter (comparable to the computer's Program Counter) which contains the location in memory of the next instruction or data item being processed. An ORG pseudo-operation causes the Assembler to place a new value in the Location Counter, much as a Jump instruction causes the CPU to place a new value in the Program Counter. The output from the Assembler must not only contain instructions and data, but must also indicate to the loader program where in memory it should place the instructions and data.

**LOCATION  
COUNTER**

Microprocessor programs often contain several Origin statements for the following purposes:

- Reset (startup) address
- Interrupt service addresses
- Trap addresses
- RAM storage
- Memory stack
- Main program
- Subroutines
- Memory addresses reserved for input/output devices or special functions

Still other Origin statements may allow room for later insertions, place tables or data in memory, or assign vacant RAM space for data buffers. Program and data memory in microcomputers may occupy widely scattered addresses in order to simplify the hardware design.

**Typical Origin statements are:**

```
ORG    RESET
ORG    1000
ORG    INT3
```

Some assemblers default to (assume) an origin of zero if the programmer does not put an ORG statement at the start of the program. The convenience is slight; we recommend the inclusion of an ORG statement to avoid confusion.

**DEFAULT  
VALUE**

## THE RESERVE PSEUDO-OPERATION

**The Reserve pseudo-operation allows the programmer to allocate RAM for various purposes such as data tables, temporary storage, indirect addresses, a stack, etc.**

**ALLOCATING  
RAM**

**Using the Reserve pseudo-operation, you assign a name to the memory area and declare the number of locations to be assigned.** Here are some examples:

NOKEY	RESERVE	1
TEMP	RESERVE	50
VOLTG	RESERVE	80
BUFR	RESERVE	100

You can use the Reserve pseudo-operation to reserve memory locations in program memory or in data memory; however, the Reserve pseudo-operation is more meaningful when applied to data memory.

In reality, all the Reserve pseudo-operation does is increase the Assembler's Location Counter by the amount declared in the operand field. The Assembler does not actually produce any object code at all.

Note the following features of Reserve:

- 1) The label of the Reserve pseudo-operation is assigned to the value of the first address reserved. For example, the sequence:

TEMP	RESERVE	20
------	---------	----

reserves 20 bytes of RAM and assigns the name TEMP to the address of the first byte.

- 2) You must specify the number of locations to be reserved. There is no default case.
- 3) No data is placed in the reserved locations. Any data that, by chance, may be in these locations will be left there.

**Some assemblers allow the programmer to place initial values in RAM. We strongly recommend that you do not use this feature** -- it assumes that the program (along with the initial

**INITIALIZING  
RAM**

values) will be loaded from an external device (e.g., paper tape or floppy disk) each time it is run. Most microprocessor programs, on the other hand, reside in non-volatile ROM and start when power comes on. The RAM in such situations does not retain its contents, nor is it reloaded. Always include instructions to initialize the RAM in your program.

## HOUSEKEEPING PSEUDO-OPERATIONS

**There are various housekeeping pseudo-operations that affect the operation of the Assembler and its program listing rather than the output program itself. Common housekeeping pseudo-operations include:**

**End**, which marks the end of the assembly language source program.

**List**, which tells the Assembler to print the source program. Some assemblers allow such variations as **No List** or **List**.

**Symbol Table**, to avoid long, repetitive listings.

**Name or Title**, which prints a name at the top of each page of the listing.

**Page or Space**, which skips to the next page or next line, respectively, and improves the appearance of the listing, making it easier to read.

**Punch**, which transfers subsequent object code to the paper tape punch. This pseudo-operation may in some cases be the default option, and therefore unnecessary.

## LABELS WITH PSEUDO-OPERATIONS

**Users often wonder if or when they can assign a label to a pseudo-operation. These are our recommendations:**

- 1) All Equate pseudo-operations must have labels; they do not make any sense otherwise since their purpose is to define the meaning of the labels.
- 2) Data and Reserve pseudo-operations usually have labels. The label identifies the first memory location used or assigned.
- 3) Other pseudo-operations should not have labels. Some Assemblers allow other pseudo-operations to have labels, but the meaning of the labels varies. We recommend that you avoid this practice.

## ADDRESSES AND THE OPERAND FIELD

**Most assemblers allow the programmer a lot of freedom in describing the contents of the Operand Address field. But remember that the Assembler has built-in names for registers and instructions, and may have other built-in names.**

Some common options for the operand field are:

### 1) Decimal numbers

Most assemblers assume all numbers to be decimal unless they are marked otherwise. So:

```
ADD 100
```

means "add the contents of memory location 100 (decimal) to the contents of the Accumulator".

### 2) Other number systems

Most assemblers will also accept binary, octal or hexadecimal entries. But you must identify these number systems in some way, e.g., by preceding or following the number with an identifying character or letter. Here are some common identifiers:

B or % for binary

O, @, Q, or C for octal (we usually avoid the letter O because of the confusion with zero).

H or \$ for hexadecimal

D for decimal. D may be omitted; it is the default case.

Assemblers sometimes require hexadecimal numbers to start with a digit (e.g., 0A36 instead of A36) in order to distinguish between numbers and names or labels. It is good practice to enter numbers in the base in which their meaning is the clearest; i.e., decimal constants in decimal; addresses and BCD numbers in hexadecimal; masking patterns or bit outputs in binary if they are short, and in hexadecimal if they are long.

**DECIMAL  
DATA OR  
ADDRESSES**

**OTHER  
NUMBER  
SYSTEMS**

## 2-10 6800 Assembly Language Programming

### 3) Names

Names can appear in the operand field: they will be treated as the data that they represent. But remember, there is a difference between data and addresses. The sequence

```
FIVE      EQU      5
          ADDA     FIVE
```

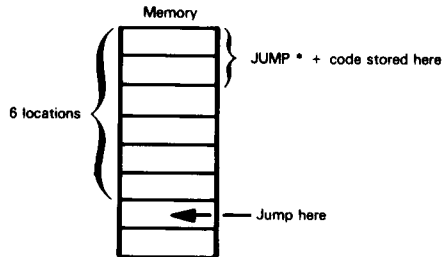
will add the contents of memory location 5 (not necessarily the number 5) to the contents of Accumulator A.

### 4) The current value of the Location Counter (usually referred to as \* or \$).

This is useful mainly in Jump instructions; for example

```
JUMP      * + 6
```

causes a jump to the memory location six words beyond the word which contains the first byte of the Jump instruction:



Most microprocessors have many two and three-word instructions. Thus, you will have difficulty determining exactly how far apart two assembly language statements are. Using offsets from the Location Counter, therefore, frequently results in errors that you can avoid if you use labels instead.

### 5) Character codes

Most assemblers allow text to be entered as ASCII strings. Such strings may be surrounded either with single or double quotation marks; strings may also use a beginning or ending symbol such as A or C. A few assemblers also permit EBCDIC strings.

**ASCII  
CHARACTERS**

We recommend that you use character strings for all text. It improves the clarity and readability of the program.

### 6) Combination of 1) through 5) with arithmetic, logical, or special operators.

Almost all assemblers allow simple arithmetic combinations such as `START+1`. Some assemblers also permit multiplication, division, logical functions, shifts, etc. These are referred to as expressions. Note that the Assembler evaluates expressions at assembly time. Even though an expression in the operand field may involve multiplications, you may not be able to use multiplication in the logic of your own program - unless you write a subroutine for that specific purpose.

**ARITHMETIC  
AND LOGICAL  
EXPRESSIONS**

Assemblers vary in what expressions they accept and how they interpret them. Complex expressions make a program difficult to read and understand.

We have made some recommendations during this section, but will repeat them and add others here. In general, you should emphasize clarity and simplicity. There is no payoff for being an expert in the intricacies of the assemblers or in using very complex expressions when not necessary. We suggest the following approach:

- Use the clearest number system or character code for data.
- Masks and BCD numbers in decimal, ASCII characters in octal, or ordinary numerical constants in hexadecimal serve no purpose and therefore should not be used.
- Remember to distinguish data and addresses.
- Do not use offsets from the Location Counter.
- Keep expressions simple and obvious. Do not rely on obscure features of the Assembler.

## CONDITIONAL ASSEMBLY

**Some assemblers allow you to include or exclude parts of source programs, depending on conditions existing at assembly time. This is called conditional assembly; it gives the Assembler some of the flexibility of a compiler. Most microcomputer assemblers have limited capabilities for conditional assembly.**

```
IF    COND
.
.   CONDITIONAL PROGRAM
.
.
ENDIF
```

If the expression COND is true at assembly time, the instructions between IF and ENDIF (two pseudo-operations) are included in the program.

**Typical uses of conditional assembly are:**

- 1) To include or exclude extra variables.
- 2) To place diagnostics in test runs.
- 3) To allow data of various bit lengths.

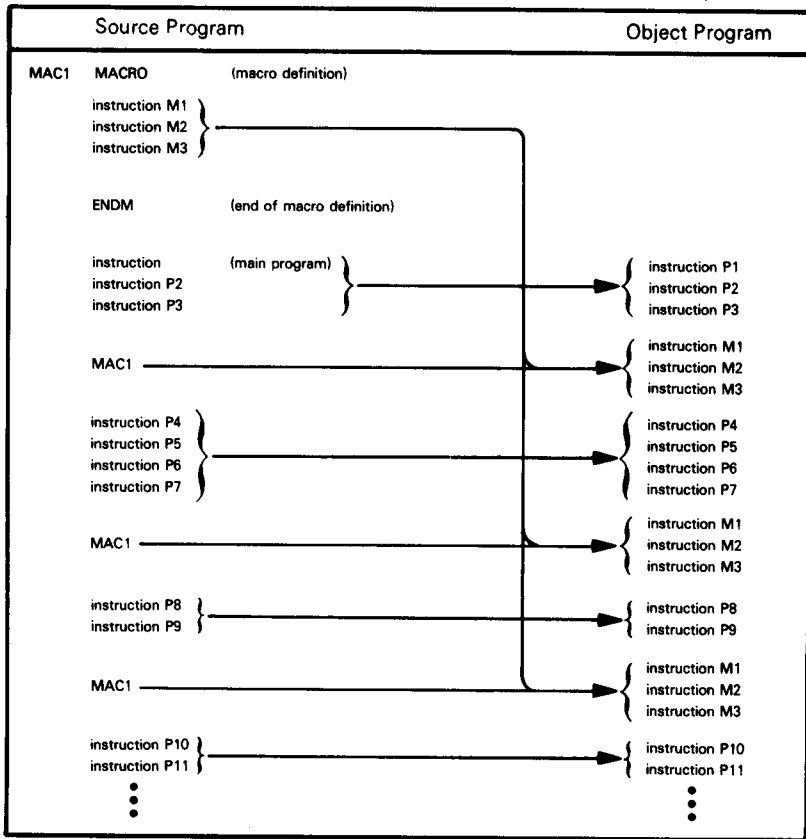
Unfortunately, conditional assembly tends to clutter programs and make them difficult to read. Use conditional assembly only if it is necessary.

## MACROS

You will often find that particular sequences of instructions occur many times in a source program. Repeated instruction sequences may reflect the needs of your program logic, or they may be compensating for deficiencies in your microprocessor's instruction set. You can avoid repeatedly writing out the same instruction sequence by using a macro.

<p><b>DEFINING A SEQUENCE OF INSTRUCTIONS</b></p>
---

**Macros allow you to assign a name to an instruction sequence. You then use the macro name in your source program instead of the repeated instruction sequence. The Assembler will replace the macro name with the appropriate sequence of instructions.** This may be illustrated as follows:



Macros are not the same as subroutines. A subroutine occurs once in a program, and program execution branches to the subroutine. A macro is expanded to an actual instruction sequence each time the macro occurs; thus a macro does not cause any branching.

**Macros have the following advantages:**

**ADVANTAGES OF MACROS**

- 1) Shorter source programs.
- 2) Better program documentation.
- 3) Use of debugged instruction sequences — once the macro has been debugged, you are sure of an error-free instruction sequence every time you use the macro.
- 4) Easier changes. Change the macro definition and the Assembler makes the change for you every time the macro is used.
- 5) Inclusion of commands, key words, or other computer instructions in the basic instruction set. You use macros to extend or clarify the instruction set.

**The disadvantages of macros are:**

- 1) Repetition of the same instruction sequences.
- 2) A single macro may create a lot of instructions.
- 3) Lack of standardization.
- 4) Possible effects on registers and flags that may not be clearly stated.

**DISADVANTAGES  
OF MACROS**

One problem is that variables used in a macro are only known within it (i.e., they are local rather than global). This can often create a great deal of confusion, without any gain in return. You should be aware of this problem when using macros. A complete monograph on macros is M. Campbell-Kelly, An Introduction to Macros, American Elsevier, New York, 1973.

**LOCAL OR  
GLOBAL  
VARIABLES**

## COMMENTS

All assemblers allow you to place comments in a source program. Comments have no effect on the object code, but they help you to read, understand, and document the program. Good commenting is an essential part of writing assembly language diagrams; without comments programs are very difficult to understand.

We will discuss commenting along with documentation in a later chapter, but here are some guidelines:

**COMMENTING  
TECHNIQUES**

- 1) Use comments to tell what application task the program is doing, not how the microcomputer executes the instructions.  
 Comments should say things like "IS TEMPERATURE ABOVE LIMIT?", "LINE FEED TO TTY" or "EXAMINE LOAD SWITCH".  
 Comments should not say things like "ADD 1 TO ACCUMULATOR", "JUMP TO START" or "LOOK AT CARRY". You should describe how the program is affecting the system; internal effects on the CPU are seldom of any interest.
- 2) Keep comments brief and to the point. Details should be available elsewhere in the documentation.
- 3) Comment all key points.
- 4) Do not comment standard instructions or sequences which change counters and pointers; pay special attention to instructions that may not have an obvious meaning.
- 5) Do not use obscure abbreviations.
- 6) Make the comments neat and readable.
- 7) Comment all definitions, describing their purposes. Also mark all tables and data storage areas.
- 8) Comment sections of the program as well as individual instructions.
- 9) Be consistent in your terminology. You can (should) be repetitive; you do not need to consult a thesaurus.
- 10) Leave yourself notes at points which you find confusing, e.g., "REMEMBER CARRY WAS SET BY LAST INSTRUCTION". You may drop these in the final documentation.

A well-commented program is easy to work with. You will recover the time spent in commenting many times over. We will try to show good commenting style in the programming examples, although we often over-comment for instructional purposes.

## TYPES OF ASSEMBLERS

**Although all assemblers perform the same tasks, their implementations vary greatly. We will not try to describe all the existing types of assemblers; we will merely define the terms and indicate some of the choices.**

**A cross-assembler is an assembler that runs on a computer other than the one for which it assembles programs.**

**CROSS-  
ASSEMBLER**

The computer on which the cross-assembler runs is typically a large computer with extensive software support and fast peripherals -- such as an IBM 360 or 370, a Univac 1108, or a Burroughs 6700. The computer for which the cross-assembler assembles programs is typically a microprocessor such as the Intel 8080 or Motorola 6800. Most cross-assemblers are written in FORTRAN so that they are portable.

**A self-assembler or resident assembler is an assembler that runs on the computer for which it assembles programs. The self-assembler will require some memory and peripherals, and it may run quite slowly.**

**RESIDENT  
ASSEMBLER**

**A macro-assembler is an assembler that allows you to define sequences of instructions as macros.**

**MACRO-  
ASSEMBLER**

**A micro-assembler or microprogram assembler is an assembler used to write the microprograms which define the instruction set of a computer. Microprogramming has nothing specifically to do with microcomputers. Microprogramming is described conceptually in An Introduction to Microcomputers: Volume 1 — Basic Concepts, Chapter 4. A more complete description is in A.K. Agrawala and T.G. Rauscher, Foundations of Microprogramming, Academic Press, New York, 1976.**

**MICRO-  
ASSEMBLER**

**A meta-assembler is an assembler that can handle many different instruction sets. The user must define the particular instruction set being used.**

**META-  
ASSEMBLER**

**A one-pass assembler is an assembler that only goes through the assembly language program once.** The major difficulty that a one-pass assembler faces is the presence of an instruction which references a label that appears further on in the source program. In the example

**ONE-PASS  
ASSEMBLER**

```
JMP     THERE
      .
      .
THERE  ADDA
```

the instruction `JMP THERE` references a label, `THERE`, which the Assembler has not yet processed. A one-pass assembler must have some way of resolving these forward references.

**A two-pass assembler is an assembler that goes through the assembly language source program twice. The first time the Assembler simply collects and defines all the symbols; the second time it replaces the references with the actual definitions. A two-pass assembler has no problems with forward references, but may be quite slow if no fast mass storage (like a floppy disk) is available; then the Assembler must physically read the program twice from a slow input medium (like a teletypewriter paper tape reader). Most microprocessor-based assemblers require two passes.**

**TWO-PASS  
ASSEMBLER**

## ERRORS

**Assemblers normally provide error messages, often consisting of a single coded letter. Some typical errors are:**

- 1) Undefined name (often a misspelling or an omitted definition).
- 2) Invalid character (e.g., a 2 in a binary number).
- 3) Invalid format (wrong delimiter or incorrect operands).
- 4) Invalid expression (e.g., two operators in a row).
- 5) Invalid value (usually too large).
- 6) Missing operand.
- 7) Double definition (i.e., two different values assigned to one name).
- 8) Invalid label (e.g., a label on a pseudo-operation that cannot have one).
- 9) Missing label.
- 10) Undefined mnemonic.

In interpreting Assembler errors, you must remember that the Assembler may get on the wrong track if it finds a stray letter, an extra space, or incorrect punctuation. Many assemblers will then proceed to misinterpret the following instructions and produce meaningless error messages. Always look at the first error very carefully; subsequent ones may depend on it. Caution and consistent adherence to standard formats will eliminate many annoying mistakes.

## LOADERS

The Loader is the program which actually takes the output (object code) from the Assembler and places it in memory. Loaders range from the very simple to the very complex. We will describe a few different types.

**A bootstrap loader is a program that uses its own first few instructions to load the rest of itself or another loader program into memory.** The bootstrap loader may be in ROM, or you may have to enter it into the computer memory by using front panel switches. The Assembler may place a bootstrap loader at the start of the object program that it produces.

**BOOTSTRAP  
LOADER**

**A relocating loader can load programs anywhere in memory.** It typically loads each program into the memory space immediately following that used by the previous program. The programs, however, must themselves be capable of being moved around in this way; i.e., they must be relocatable. An absolute loader, in contrast, will always place the programs in the same area of memory.

**RELOCATING  
LOADER**

**A linking loader loads programs and subroutines separately; it resolves cross-references** -- that is, an instruction in one program or subroutine which refers to a label in another. Object programs loaded by a linking loader must be created by an assembler which permits and marks cross-references.

**LINKING  
LOADERS**

You can find more detailed descriptions of assemblers and loaders in D.W. Barron, Assemblers and Loaders, American Elsevier, New York, 1972, and in C.W. Gear, Computer Organization and Programming, McGraw-Hill, New York, 1974.



# Chapter 3

## THE 6800 ASSEMBLY LANGUAGE INSTRUCTION SET

**We are now ready to start creating assembly language programs. We begin in this chapter by defining the individual instructions of the 6800 assembly language instruction set, plus the syntax rules of the Motorola assemblers.**

**We do not discuss any aspects of microcomputer hardware, signals, interfaces, or CPU architecture in this book,<sup>1</sup> nor do we discuss assembly language as an extension of digital logic.<sup>2</sup> In this book, we look at programming techniques from the assembly language programmer's viewpoint, where pins and signals are irrelevant and there are no important differences between a minicomputer and a microcomputer.**

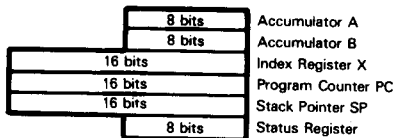
Interrupts, Direct Memory Access, and the Stack architecture for the 6800 will be described in later chapters of this book, in conjunction with assembly language programming discussions of the same subjects.

This chapter contains a detailed definition of each assembly language instruction. These definitions are identical to Chapter 6 of 6800 Programming for Logic Design.

The detailed description of individual instructions is preceded by a general discussion of the 6800 instruction set that divides instructions into those which are commonly used, infrequently used, and rarely used. If you are an experienced assembly language programmer, this categorization is not particularly important — and, depending on your own programming prejudices, it may not even be accurate. If you are a novice assembly language programmer, we recommend that you begin by writing programs using only instructions in the “commonly used” category. Once you have mastered the concepts of assembly language programming, you may examine other instructions and use them where appropriate.

### CPU REGISTERS AND STATUS FLAGS

**The 6800 has two Accumulators, a Status register, an Index register, a Stack Pointer and a Program Counter. These may be illustrated as follows:**



### 3-2 6800 Assembly Language Programming

**The two Accumulators, A and B, are both primary Accumulators.** The only instructions which apply to one Accumulator but not the other are the instruction which corrects decimal addition (DAA) and the instructions which move statuses between Accumulator A and the Status register.

**The Index register is a typical microcomputer Index register, as described in An Introduction to Microcomputers: Volume 1.**

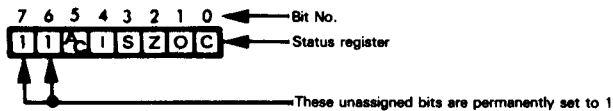
**The 6800 has a Stack implemented in memory and indexed by the Stack Pointer, as described in Volume 1.** Because of the nature of the 6800 instruction set, it is more realistic to look upon the 6800 Stack Pointer as a cross between a Stack Pointer and a Data Counter. Memory reference instructions make it very easy to store the contents of either the Stack Pointer or the Index register in read/write memory; by maintaining a number of base page memory locations as storage for these two Address registers, each can be put to multiple use.

**The Program Counter is a typical Program Counter, as described in Volume 1.**

**The 6800 has a Status register which maintains five status flags and an interrupt control bit. These are the five status flags:**

Carry (C)  
Overflow (O)  
Sign (S)  
Zero (Z)  
Auxiliary Carry (AC)

Statuses are assigned bit positions within the Status register as follows:



I is the external interrupt enable/disable flag. When it is 1, interrupts via IRQ are disabled; when it is 0, interrupts via IRQ are enabled.

6800 literature refers to the Sign bit as a negative bit, given the symbol N; the Overflow bit is given the symbol V. The Intermediate Carry bit represents the standard carry out of bit 3 and is referred to as the Half Carry bit, given the symbol H. Statuses are nevertheless set and reset as described for our hypothetical microcomputer in An Introduction to Microcomputers: Volume 1.

Table 3-1. Frequently Used Instructions of the 6800

Instruction Code	Meaning
ADC	ADD WITH CARRY
ADD, ABA	ADD
AND	LOGICAL AND
ASL	ARITHMETIC SHIFT LEFT
BCC	BRANCH IF CARRY CLEAR
BCS	BRANCH IF CARRY SET
BEQ	BRANCH IF EQUAL TO ZERO
BHI	BRANCH IF HIGHER
BLS	BRANCH IF LOWER OR SAME
BMI	BRANCH IF NEGATIVE SET
BNE	BRANCH IF NOT EQUAL TO ZERO
BPL	BRANCH IF NEGATIVE CLEAR
BRA	BRANCH ALWAYS
BSR	BRANCH TO SUBROUTINE
CLR	CLEAR
CMP, CBA	COMPARE
DEC	DECREMENT
DEX	DECREMENT INDEX REGISTER
INC	INCREMENT
INX	INCREMENT INDEX REGISTER
JSR	JUMP TO SUBROUTINE
LDA	LOAD ACCUMULATOR
LDX	LOAD INDEX REGISTER
LSR	LOGICAL SHIFT RIGHT
PSH	PUSH DATA ONTO STACK
PUL	PULL DATA FROM STACK
ROL	ROTATE LEFT
ROR	ROTATE RIGHT
RTS	RETURN FROM SUBROUTINE
STA	STORE ACCUMULATOR
STX	STORE INDEX REGISTER
SUB, SBA	SUBTRACT

3-4 6800 Assembly Language Programming

Table 3-2. Occasionally Used Instructions of the 6800

Instruction Code	Meaning
ASR	ARITHMETIC SHIFT RIGHT
BGE	BRANCH IF $\geq$ ZERO
BGT	BRANCH IF GREATER THAN ZERO
BIT	BIT TEST
BLE	BRANCH IF $\leq$ ZERO
BLT	BRANCH IF LESS THAN ZERO
CLC	CLEAR CARRY
CLI	CLEAR (ENABLE) INTERRUPT
COM	ONES COMPLEMENT
CPX	COMPARE INDEX REGISTER
DAA	DECIMAL ADJUST A
EOR	EXCLUSIVE OR
JMP	JUMP
LDS	LOAD STACK POINTER
NEG	TWOS COMPLEMENT
NOP	NO OPERATION
ORA	LOGICAL (INCLUSIVE) OR
RTI	RETURN FROM INTERRUPT
SEC	SET CARRY
SEI	SET (DISABLE) INTERRUPT
STS	STORE STACK POINTER
SWI	SOFTWARE INTERRUPT
TAB	TRANSFER A TO B
TBA	TRANSFER B TO A
TST	TEST

Table 3-3. Seldom Used Instructions of the 6800

Instruction Code	Meaning
BVC	BRANCH IF OVERFLOW CLEAR
BVS	BRANCH IF OVERFLOW SET
CLV	CLEAR OVERFLOW
DES	DECREMENT STACK POINTER
INS	INCREMENT STACK POINTER
SBC	SUBTRACT WITH CARRY (BORROW)
SEV	SET OVERFLOW
TAP	TRANSFER A TO CONDITION CODE REGISTER
TPA	TRANSFER CONDITION CODE REGISTER TO A
TSX	TRANSFER STACK POINTER TO INDEX REGISTER
TXS	TRANSFER INDEX REGISTER TO STACK POINTER
WAI	WAIT FOR INTERRUPT

### 6800 MEMORY ADDRESSING MODES

The Motorola 6800 offers seven basic addressing methods:

- 1) Memory - Immediate
- 2) Memory - Direct
- 3) Memory - Indexed
- 4) Memory - Extended
- 5) Inherent
- 6) Relative
- 7) Accumulator

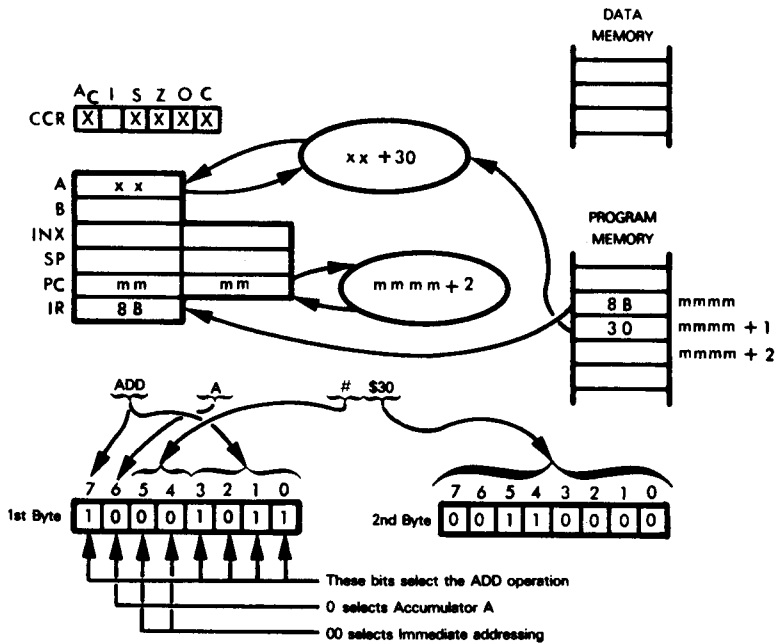
6800 instructions allow various combinations of these addressing modes to address the operands required for the instruction. See Table 3-5 for the addressing options available with each instruction.

### MEMORY — IMMEDIATE

In this form of addressing, one of the operands is present in the byte(s) immediately following the first byte of object code. An immediate operand is specified by prefacing the operand with the # symbol. For example:

```
ADDA # $30
```

requests the Assembler to generate an ADD instruction which will add the value 30<sub>16</sub> to Accumulator A.



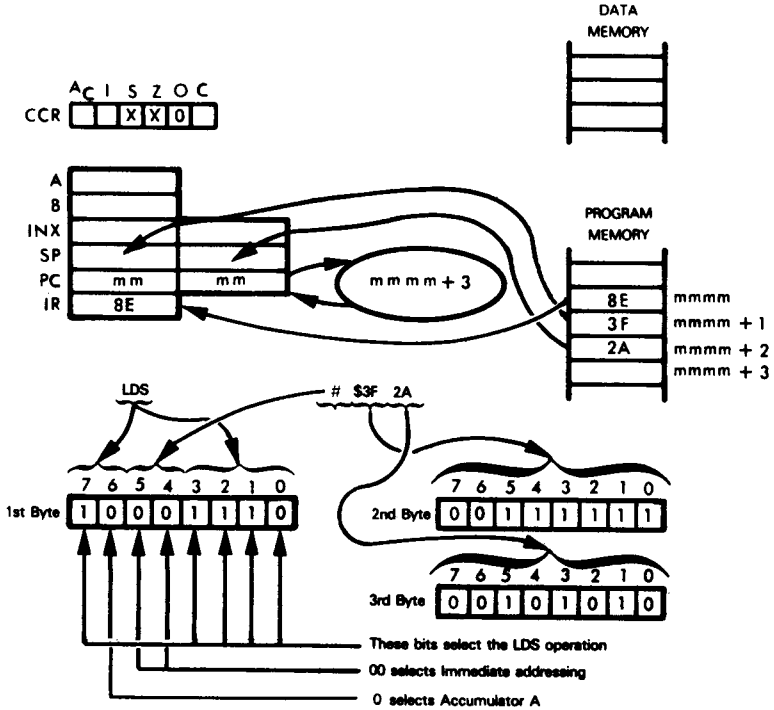
This example demonstrates a single byte immediate operand. Instructions such as AND, BIT, EOR and SBC use this form.

**3-6** 6800 Assembly Language Programming

Double-byte immediate operands are employed by the CPX, LDS and LDX instructions. The LDS instruction, for example, may load the Stack Pointer with the two bytes following the first object code byte. The instruction:

```
LDS    # $3F2A
```

is illustrated in the following diagram:



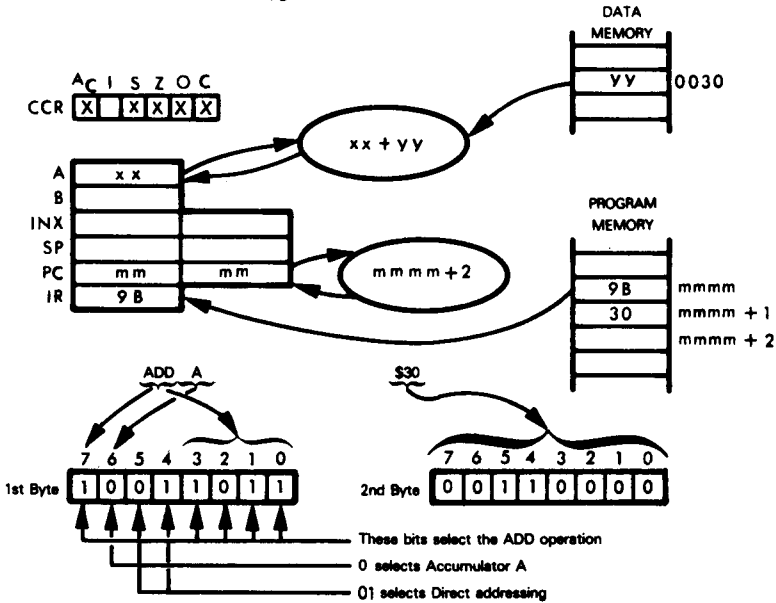
This instruction stores the contents of memory location mmmm+1 into the high-order byte of the Stack Pointer, then stores the contents of memory location mmmm+2 into the low-order byte of the Stack Pointer.

### MEMORY — DIRECT

This form of addressing uses the second byte of the instruction to identify an operand present in the low  $256_{10}$  words of memory. This form of addressing is specified when the expression used as the operand reduces to a value between  $00_{16}$  and  $FF_{16}$ . For example:

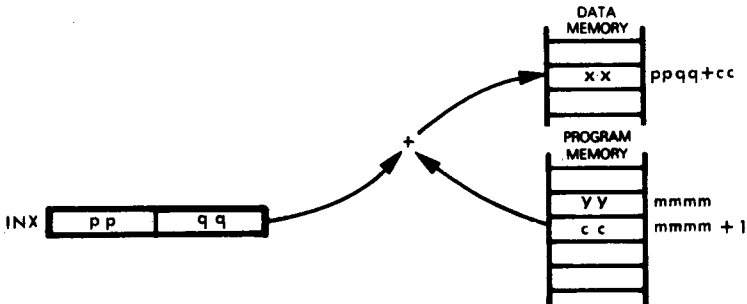
```
ADDA $30
```

requests the Assembler to generate an ADD instruction which will add the value present at memory location  $0030_{16}$  to Accumulator A.



### MEMORY — INDEXED

This form of addressing combines the second byte of the instruction with the contents of the Index register to produce the memory address of the data to be used as an operand. Indexed addressing on the 6800 differs from indexed addressing as described in An Introduction to Microcomputers: Volume 1, in that the one-byte displacement provided by the memory reference instruction is added to the Index register as an unsigned 8-bit value. The contents of the Index register are not changed.



### 3-8 6800 Assembly Language Programming

If instruction  $yy$  specifies indexed addressing, then the effective address of one operand will be  $ppqq+cc$ . Therefore  $xx$  will be one of the operands used by the instruction.

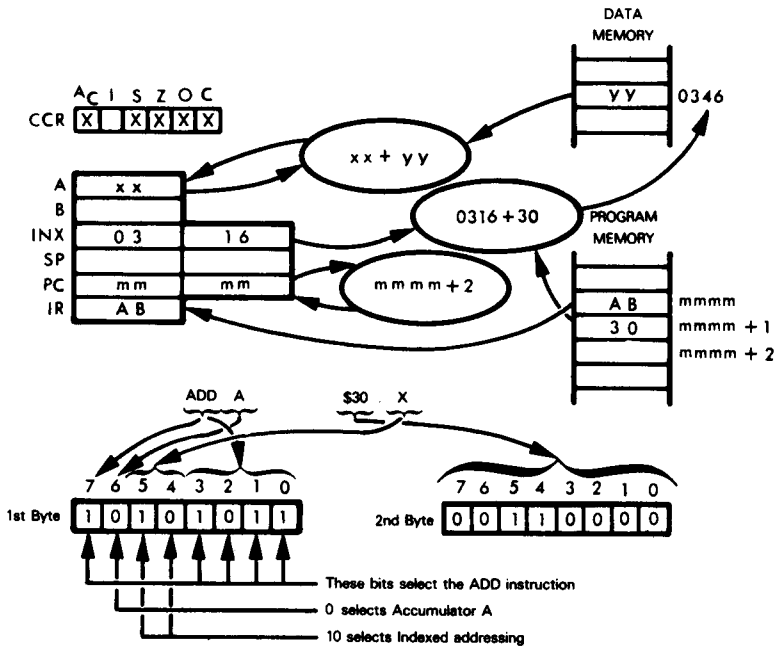
Indexed addressing is specified by including:

X  
.X  
expr.X

in the operand field of the instruction. For example:

ADDA \$30,X

requests the Assembler to generate an ADD instruction which will add to Accumulator A the value present at the memory location specified by adding  $30_{16}$  to the contents of the Index register. If the Index register contains  $0316_{16}$  at the time this instruction is executed, the following diagram summarizes the instruction execution:



This instruction adds the contents of Accumulator A to the contents of the memory location specified by adding the second byte of the instruction to the contents of the Index register.

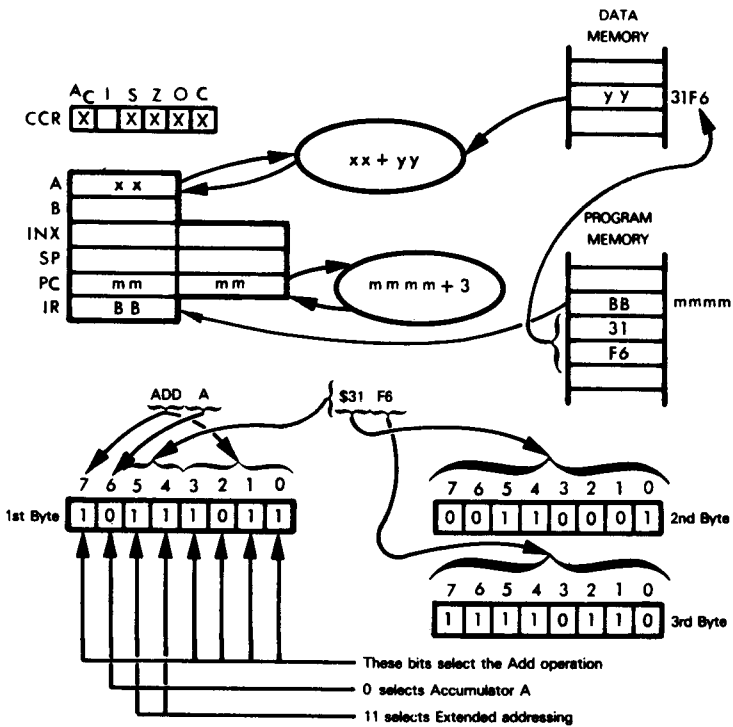
Note that implied addressing may be implemented by specifying indexed addressing with a displacement of 0.

### MEMORY — EXTENDED

This form of addressing combines the second and third bytes of object code to form the address of the data to be used as an operand. Motorola extended addressing is identical to the direct addressing mode described in An Introduction to Microcomputers: Volume 1. Extended addressing is specified in the same way as direct addressing, i.e., an expression is given as the operand. If the expression evaluates to a number in the range  $256 < \text{expression} < 65,535$ , then extended addressing is used. For example:

```
ADDA $31F6
```

requests the Assembler to generate an ADD instruction which will add the value present at memory location 31F6<sub>16</sub> to the contents of Accumulator A.



### 3-10 6800 Assembly Language Programming

In addition, there are several instructions which do not provide a direct addressing option ( $0 \leq \text{expr} \leq 255$ ). e.g., CLR, DEC, ROR. For those instructions, extended addressing is used whenever a memory location is to be directly accessed.

#### INHERENT

Inherent addressing is specified when it is obvious by the nature of the instruction mnemonic which registers, statuses or memory locations are to be used as operands. For example, ABA, the Add Accumulator B to Accumulator A instruction, specifies what registers are to be the operands. CLI, the Clear Interrupt Mask instruction, specifies what status is to be affected by the instruction, and RTS, the Return-from-Subroutine instruction, specifies that a return is to be executed; this will access the Stack to determine the new value of the Program Counter.

#### RELATIVE

Branch and Branch-on-Condition instructions use program relative addressing; a single byte displacement is treated as a signed binary number which is added to the Program Counter, after the Program Counter contents have been incremented to address the next sequential instruction. This allows displacements in the range  $+129_{10}$  to  $-126_{10}$  bytes.

#### ACCUMULATOR

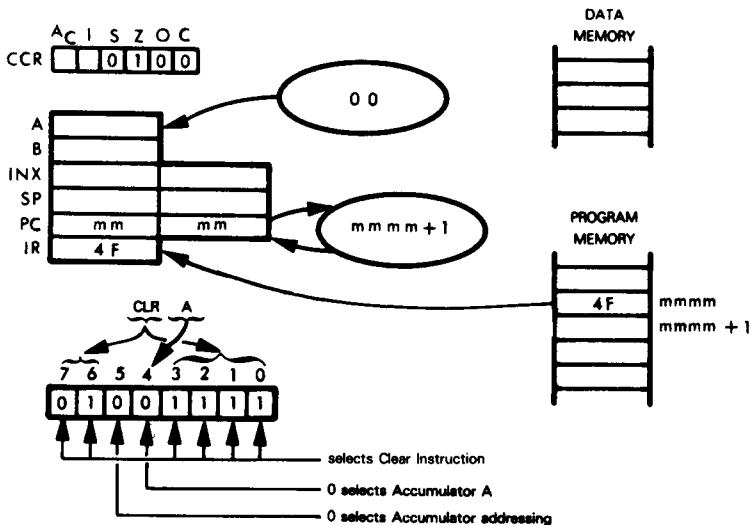
Accumulator addressing is used by instructions having a single operand. Most of these instructions can select either Accumulator A or Accumulator B or a memory byte via the operand. For example, the

CLRA

instruction is one of four forms of the CLR instruction:

- 1) CLRA — Clear Accumulator A
- 2) CLRB — Clear Accumulator B
- 3) CLR expr.X — Clear memory byte selected by indexed addressing.
- 4) CLR expr — Clear memory byte selected by extended addressing.

The CLRA instruction is illustrated in the following diagram:



**Instructions falsely frighten microcomputer users who are new to programming. Taken as an isolated event, operations associated with the execution of a single instruction are easy enough to follow — and that is the purpose of this chapter.**

Why are the instructions of a microcomputer referred to as an instruction “set”? Because the instructions selected by the designers of any microcomputer are selected with great care: it must be easy to execute complex operations as a sequence of simple events — each of which is represented by one instruction from a well designed instruction “set”.

**Remaining consistent with *An Introduction to Microcomputers: Volume 2*, Table 3-4 summarizes the 6800 microcomputer instruction set, with similar instructions grouped together.**

**Individual instructions are described next in alphabetical order of instruction mnemonic.**

In addition to simply stating what each instruction does, the purpose of the instruction within normal programming logic is identified.

## ABBREVIATIONS

**These are the abbreviations used in this chapter:**

ACX     Either Accumulator A or Accumulator B

The registers:

A,B   Accumulator  
X     Index register  
PC    Program Counter  
SP    Stack Pointer  
SR    Status register

Statuses shown:

C     Carry status  
Z     Zero status  
S     Sign status  
O     Overflow status  
I     Interrupt Mask status  
AC    Auxiliary Carry status

Symbols in the STATUSES column:

(blank) operation does not affect status  
X     operation affects status  
0     flag is cleared by the operation  
1     flag is set by the operation

ADR8    An 8-bit (1-byte) quantity which may be used to directly address the first 256 locations in memory, or may be an 8-bit unsigned displacement to be added to the Index register.

ADR16   A 16-bit memory address

B2     Instruction Byte 2

B3     Instruction Byte 3

DATA    An 8-bit binary data unit

DATA16  A 16-bit binary data unit

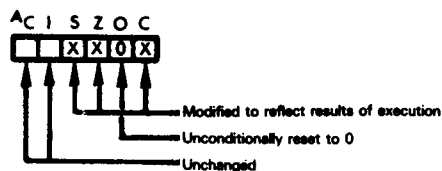
DISP    An 8-bit signed binary address displacement

xx(HI)   The high-order 8 bits of the 16-bit quantity xx; for example, SP(HI) means bits 15 - 8 of the Stack Pointer

### 3-12 6800 Assembly Language Programming

- xx(LO) The low-order 8 bits of the 16-bit quantity xx; for example, PC(LO) means bits 7 - 0 of the Program Counter
- [ ] Contents of location enclosed with brackets
- [[ ]] Implied memory addressing; the contents of the memory location designated by the contents of a register.
- [ MEM] Symbol for memory location indicated by base page direct, extended direct, or indexed addressing.
- That is:
- [ MEM] = [ ADR8]
- or
- [ MEM] = [ ADR16]
- or
- [ MEM] = [[ X] + ADR8]
- [ M] Symbol for memory location indicated by extended direct or indexed addressing. That is:
- [ M] = [ ADR16]
- or
- [ M] = [[ X] + ADR8]
- Λ Logical AND
- V Logical OR
- ⊕ Logical Exclusive-OR
- Data is transferred in the direction of the arrow

The effect of instruction execution on status is illustrated in the following way:



Within instruction execution illustrations, an X identifies a status that is set or reset. A 0 identifies a status that is always cleared. A blank means the status does not change.

**STATUS  
CHANGES  
WITH  
INSTRUCTION  
EXECUTION**

#### INSTRUCTION OBJECT CODES

**Instruction object codes are represented as 2 hexadecimal digits for instructions without variations.**

**Instruction object codes are represented as 8 binary digits for instructions with variations; the binary digit representation of variations is then identifiable.**

#### INSTRUCTION EXECUTION TIMES AND CODES

**Table 3-5 lists instructions in alphabetical order, showing object codes and execution times, expressed as machine cycles.**

Table 3-4. A Summary of the 6800 Instruction Set

TYPE	MNEMONIC	OPERAND(S)	BYTES	STATUSES					OPERATION PERFORMED	
				C	Z	S	O	Ac		I
PRIMARY MEMORY REFERENCE AND I/O	LDA	ACX,ADR8	2	X	X	0	0		[ACX]—[MEM] Load A or B using base page direct, extended direct, or indexed addressing.	
	STA	ACX,ADR16	3			X	X	0	[MEM]—[ACX] Store A or B using direct, extended, or indexed addressing.	
	LDX	ACX,ADR16	3			X	X	0	[X(HI)]—[MEM], [X(LO)]—[MEM + 1] Load index register using direct, extended, or indexed addressing. Sign status reflects index register bit 15.	
	STX	ADR8	2	X	X	0	0		[MEM]—[X(HI)], [MEM + 1]—[X(LO)] Store contents of index register using direct, extended, or indexed addressing. Sign status reflects index register bit 15.	
	LDS	ADR8	2	X	X	0	0		[SP(HI)]—[MEM], [SP(LO)]—[MEM + 1] Load Stack Pointer using direct, extended, or indexed addressing. Sign status reflects Stack Pointer bit 15.	
	STS	ADR8	2	X	X	0	0		[MEM]—[SP(HI)], [MEM + 1]—[SP(LO)] Store contents of Stack Pointer using direct, extended, or indexed addressing. Sign status reflects Stack Pointer bit 15.	
				3			X	X	0	
SECONDARY MEMORY REFERENCE (MEMORY OPERATE)	ADD	ACX,ADR8	2	X	X	X	X	X	[ACX]—[ACX] + [MEM] Add to Accumulator A or B using base page direct, extended direct, or indexed addressing.	
	ADC	ACX,ADR16	3	X	X	X	X	X	[ACX]—[ACX] + [MEM] + C Add with carry to Accumulator A or B using direct, extended, or indexed addressing.	
	AND	ACX,ADR8	2	X	X	0	0		[ACX]—[ACX] A [MEM] AND with Accumulator A or B using direct, extended, or indexed addressing.	
	BIT	ACX,ADR16	3	X	X	0	0		[ACX] A [MEM] AND with Accumulator A or B, but only Status register is affected.	
	CMP	ACX,ADR8	2	X	X	X	X		[ACX] - [MEM] Compare with Accumulator A or B (only Status register is affected).	
	EOR	ACX,ADR16	3	X	X	0	0		[ACX]—[ACX] ⊕ [MEM] Exclusive-OR with Accumulator A or B using direct, extended, or indexed addressing.	
	ORA	ACX,ADR8	2	X	X	0	0		[ACX]—[ACX] V [MEM] OR with Accumulator A or B using direct, extended, or indexed addressing.	
				3			X	X	0	
				3			X	X	0	
				3			X	X	0	
				3			X	X	0	
				3			X	X	0	
				3			X	X	0	
				3			X	X	0	

Table 3-4. A Summary of the 6800 Instruction Set (Continued)

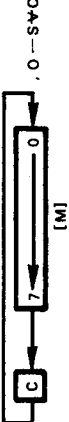

TYPE	MNEMONIC	OPERAND(S)	BYTES	STATUSES					OPERATION PERFORMED
				C	Z	S	O	A <sub>C</sub>	
SECONDARY MEMORY REFERENCE (MEMORY OPERATE)  CONTINUED	SUB	ACX,ADR8 ACX,ADR16	2	X	X	X	X	X	[ACX] ← [ACX] - [MEM] Subtract from Accumulator A or B using direct, extended, or indexed addressing.
	SBC	ACX,ADR8 ACX,ADR16	3	X	X	X	X	X	[ACX] ← [ACX] - [MEM] - C Subtract with carry from Accumulator A or B using direct, extended, or indexed addressing.
	CPX	ADR8 ADR16	2 3	X	X	X	X	X	[X(H)] - [MEM], [X(LO)] - [MEM + 1] Compare with contents of index register (only Status register is affected). Sign and Overflow statuses reflect result on most significant byte.
	CLR	ADR8 ADR16	2 3	0	1	0	0	0	[M] ← 00 <sub>16</sub> Clear memory location using extended or indexed addressing.
	COM	ADR8 ADR16	2 3	1	X	X	0	0	[M] ← [M] Complement contents of memory location (ones complement).
	NEG	ADR8 ADR16	2 3	X	X	X	X	X	[M] ← 00 <sub>16</sub> - [M] Negate contents of memory location (twos complement). Carry status is set if result is 00 <sub>16</sub> and reset otherwise. Overflow status is set if result is 80 <sub>16</sub> and reset otherwise.
	DEC	ADR8 ADR16	2 3	X	X	X	X	X	[M] ← [M] - 1 Decrement contents of memory location, using extended or indexed addressing. Overflow status is set if operand was 80 <sub>16</sub> before execution, and cleared otherwise.
	INC	ADR8 ADR16	2 3	X	X	X	X	X	[M] ← [M] + 1 Increment contents of memory location, using extended or indexed addressing. Overflow status is set if operand was 7F <sub>16</sub> before execution, and cleared otherwise.
	ROL	ADR8 ADR16	2 3	X	X	X	X	X	 Rotate contents of memory location left through carry.
	ROR	ADR8 ADR16	2 3	X	X	X	X	X	 Rotate contents of memory location right through carry.

Table 3-4. A Summary of the 6800 Instruction Set (Continued)




TYPE	MNEMONIC	OPERAND(S)	BYTES	STATUSES					OPERATION PERFORMED
				C	Z	S	O	AC	
SECONDARY MEMORY REFERENCE (MEMORY OPERATE) CONTINUED	ASL	ADRB ADRI6	2 3	X	X	X	X		 <p>Arithmetic shift left. Bit 0 is set to 0.</p>
	ASR	ADRB ADRI6	2 3	X	X	X	X		 <p>Arithmetic shift right. Bit 7 stays the same.</p>
	LSR	ADRB ADRI6	2 3	X	X	0	X		 <p>Logical shift right. Bit 7 is set to 0.</p>
	TST	ADRB ADRI6	2 3	0	X	X	0	0	<p>[M] - 00<sub>h</sub> Test contents of memory location for zero or negative value.</p>
IMMEDIATE	LDA	ACX, DATA	2	X	X	0			[ACX] ← DATA Load A or B immediate.
	LDX	DATA16	3	X	X	0			[X(HI)] ← [B2], [X(LO)] ← [B3] Load index register immediate. Sign status reflects index register bit 15.
	LDS	DATA16	3	X	X	0			[SP(HI)] ← [B2], [X(LO)] ← [B3] Load Stack Pointer immediate. Sign status reflects Stack Pointer bit 15.
IMMEDIATE OPERATE	ADD	ACX, DATA	2	X	X	X	X	X	[ACX] ← [ACX] + DATA Add immediate to Accumulator A or B.
	ADC	ACX, DATA	2	X	X	X	X	X	[ACX] ← [ACX] + DATA + C Add immediate with carry to Accumulator A or B.
	AND	ACX, DATA	2	X	X	0			[ACX] ← [ACX] & DATA AND immediate with Accumulator A or B.
	BIT	ACX, DATA	2	X	X	0			[ACX] & DATA AND immediate with Accumulator A or B, but only the Status register is affected.

Table 3-4. A Summary of the 6800 Instruction Set (Continued)

TYPE	MNEMONIC	OPERAND(S)	BYTES	STATUSES					OPERATION PERFORMED
				C	Z	S	O	AC	
IMMEDIATE OPERATE (CONTINUED)	CMP	ACX,DATA	2	X	X	X	X	X	[ACX] - DATA Compare immediate with Accumulator A or B (only the Status register is affected).
	EOR	ACX,DATA	2	X	X	X	X	0	[ACX]—[ACX]∨DATA Exclusive-OR immediate with Accumulator A or B.
	ORA	ACX,DATA	2	X	X	X	X	0	[ACX]—[ACX]∨DATA OR immediate with Accumulator A or B.
	SUB	ACX,DATA	2	X	X	X	X	X	[ACX]—[ACX] - DATA Subtract immediate from Accumulator A or B.
	SBC	ACX,DATA	2	X	X	X	X	X	[ACX]—[ACX] - DATA - C Subtract immediate with carry from Accumulator A or B.
	CPX	DATA16	3	X	X	X	X	X	[X(H)] - [B2], [X(L)] - [B3] Compare immediate with contents of Index register (only the Status register is affected). Sign and Overflow status reflect result on most significant byte.
	JMP	ADRB ADRI6	2 3						[PC]—[X] + ADR8 or [PCH]—[B2], [PCLO]—[B3] Jump to indexed or extended address.
JUMP	JSR	ADRB ADRI6	2 3						[SP]—[PCLO], [(SP)-1]—[PCH], [SP]—[SP]-2 [PC]—[X] + ADR8 or [PCH]—[B2], [PCLO]—[B3] Jump to subroutine (indexed or extended addressing).
	BRA	DISP	2						[PC]—[PC] + DISP + 2 Unconditional branch relative to present Program Counter contents.
	BSR	DISP	2						[(SP) ]—[PCLO], [(SP)-1]—[PCH], [SP]—[SP]-2, [PC]—[PC] + DISP + 2 Unconditional branch to subroutine located relative to present Program Counter contents.

Table 3-4. A Summary of the 6800 Instruction Set (Continued)

TYPE	MNEMONIC	OPERAND(S)	BYTES	STATUSES					OPERATION PERFORMED	
				C	Z	S	O	AC		I
BRANCH ON CONDITION	BCC	DISP	2							[PC]— [PC] + DISP + 2 if the given condition is true: C : 0 (Branch if carry clear) C : 1 (Branch if carry set)
	BCS	DISP	2							Z : 1 (Branch if equal to zero)
	BEQ	DISP	2							S ≠ 0 0 (Branch if greater than or equal to zero)
	BGE	DISP	2							Z V(S ≠ 0) : 0 (Branch if greater than zero)
	BGT	DISP	2							C V Z : 0 (Branch if Accumulator contents higher than comparand)
	BHI	DISP	2							Z V(S ≠ 0) 1 (Branch if less than or equal to zero)
	BLE	DISP	2							C V Z 1 (Branch if Accumulator contents less than or same as comparand)
	BLS	DISP	2							S : 1 (Branch if minus)
	BLT	DISP	2							Z : 0 (Branch if not equal to zero)
	BMI	DISP	2							O : 0 (Branch if overflow clear)
	BNE	DISP	2							O : 1 (Branch if overflow set)
	BVC	DISP	2							S : 0 (Branch if plus)
	BVS	DISP	2							
	BPL	DISP	2							
REGISTER-REGISTER MOVE	TAB		1	X	X	X	0			[B]— [A] Move Accumulator A contents to Accumulator B.
	TBA		1		X	X	0			[A]— [B] Move Accumulator B contents to Accumulator A.
	TXS		1							[SP]— [X]-1 Move Index register contents to Stack Pointer and decrement.
	TSX		1							[X]— [SP] + 1 Move Stack Pointer contents to Index register and increment.
REGISTER OPERATE	ABA		1	X	X	X	X	X		[A]— [A] + [B] Add contents of Accumulators A and B.
	CBA		1	X	X	X	X	X		[A] - [B] Compare contents of Accumulators A and B. Only the Status register is affected.
	SBA		1	X	X	X	X	X		[A]— [A] - [B] Subtract contents of Accumulator B from those of Accumulator A.

Table 3-4. A Summary of the 6800 Instruction Set (Continued)


TYPE	MNEMONIC	OPERAND(S)	BYTES	STATUSES					OPERATION PERFORMED
				C	Z	S	O	AC	
REGISTER OPERATE	CLR	ACX	1	0	1	0	0		[ACX] ← 00 <sub>16</sub> Clear Accumulator A or B.
	COM	ACX	1	1	X	X	0		[ACX] ← [ACX] Complement contents of Accumulator A or B (ones complement).
	NEG	ACX	1	X	X	X	X		Negate contents of Accumulator A or B (twos complement). Carry status is set if result is 00 <sub>16</sub> and reset otherwise. Overflow status is set if result is 80 <sub>16</sub> and reset otherwise.
	DAA		1	X	X	X	X		Decimal adjust A. Convert contents of A (the binary sum of BCD operands) to BCD format. Carry status is set if value of upper four bits is greater than 9, but not cleared if previously set.
	DEC	ACX	1	X	X	X	X		[ACX] ← [ACX] - 1 Decrement contents of Accumulator A or B. Overflow status is set if operand was 80 <sub>16</sub> before execution, and cleared otherwise.
	DEX		1				X		[X] ← [X] - 1 Decrement contents of index register.
	DES		1				X		[SP] ← [SP] - 1 Decrement contents of Stack Pointer.
	INC	ACX	1	X	X	X	X		[ACX] ← [ACX] + 1 Increment contents of Accumulator A or B. Overflow status is set if operand was 7F <sub>16</sub> before execution, and cleared otherwise.
	INX		1				X		[X] ← [X] + 1 Increment contents of index register.
	INS		1				X		[SP] ← [SP] + 1 Increment contents of Stack Pointer.
	ROL	ACX	1	X	X	X	X		 Rotate Accumulator A or B left through carry.

Table 3-4. A Summary of the 6800 Instruction Set (Continued)

TYPE	MNEMONIC	OPERAND(S)	BYTES	STATUSES					OPERATION PERFORMED
				C	Z	S	O	AC	
REGISTER OPERATE (CONTINUED)	ROR	ACX	1	X	X	X	X		<p>Rotate Accumulator A or B right through carry. <math>O \rightarrow S \nabla C</math></p>
	ASL	ACX	1	X	X	X	X		<p>Arithmetic shift left. Bit 0 is set to 0. <math>O \rightarrow S \nabla C</math></p>
	ASR	ACX	1	X	X	X	X		<p>Arithmetic shift right. Bit 7 stays the same. <math>O \rightarrow S \nabla C</math></p>
	LSR	ACX	1	X	X	0	X		<p>Logical shift right. Bit 7 is set to 0. <math>O \rightarrow S \nabla C</math></p>
	TST	ACX	1	0	X	X	0		<p>Test contents of Accumulator A or B for zero or negative value. <math>[ACX] - 00_{16}</math></p>
STACK	PSH	ACX	1						<p>Push contents of Accumulator A or B onto top of Stack and decrement Stack Pointer. <math>[[SP]] \rightarrow [ACX]</math>  <math>[SP] \rightarrow [SP] - 1</math></p>
	PUL	ACX	1						<p>Pop contents of Accumulator A or B from top of Stack and increment Stack Pointer. <math>[SP] \rightarrow [SP] + 1</math>  <math>[ACX] \leftarrow [[SP]]</math></p>
	RTS		1						<p>Return from subroutine. Pull PC from top of Stack and increment Stack Pointer. <math>[PC(H)] \leftarrow [[SP] + 1]</math>, <math>[PC(L)] \leftarrow [[SP] + 2]</math>, <math>[SP] \leftarrow [SP] + 2</math></p>

Table 3-4. A Summary of the 6800 Instruction Set (Continued)

TYPE	MNEMONIC	OPERAND(S)	BYTES	STATUSES						OPERATION PERFORMED		
				C	Z	S	O	Ac	I			
INTERRUPT	CLI		1							0	Clear interrupt mask to enable interrupts.	
	SEI		1							1	Set interrupt mask to disable interrupts.	
	RTI		1	X	X	X	X	X	X	X	Set interrupt mask to disable interrupts. $[SP] - [[SP] + 1]$ , $[B] - [[SP] + 2]$ , $[A] - [[SP] + 3]$ , $[X(H)] - [[SP] + 4]$ , $[X(L)] - [[SP] + 5]$ , $[PCH(H)] - [[SP] + 6]$ , $[PCLO(L)] - [[SP] + 7]$ , $[SP] - [SP] + 7$	
											Return from interrupt. Pull registers from Stack and increment Stack Pointer. $[[SP]] - [PCLO(L)]$ , $[[SP]-1] - [PCH(H)]$ , $[[SP]-2] - [X(L)]$ , $[[SP]-3] - [X(H)]$ , $[[SP]-4] - [A]$ , $[[SP]-5] - [B]$ , $[[SP]-6] - [SP]$ , $[SP] - [SP] - 7$ , $[PCH(H)] - [FFFA_{16}]$ , $[PCLO(L)] - [FFFB_{16}]$	
											Return from interrupt. Pull registers from Stack and increment Stack Pointer. $[[SP]] - [PCLO(L)]$ , $[[SP]-1] - [PCH(H)]$ , $[[SP]-2] - [X(L)]$ , $[[SP]-3] - [X(H)]$ , $[[SP]-4] - [A]$ , $[[SP]-5] - [B]$ , $[[SP]-6] - [SP]$ , $[SP] - [SP] - 7$ , $[PCH(H)] - [FFFA_{16}]$ , $[PCLO(L)] - [FFFB_{16}]$	
												Return from interrupt. Pull registers from Stack and increment Stack Pointer. $[[SP]] - [PCLO(L)]$ , $[[SP]-1] - [PCH(H)]$ , $[[SP]-2] - [X(L)]$ , $[[SP]-3] - [X(H)]$ , $[[SP]-4] - [A]$ , $[[SP]-5] - [B]$ , $[[SP]-6] - [SP]$ , $[SP] - [SP] - 7$ , $[PCH(H)] - [FFFA_{16}]$ , $[PCLO(L)] - [FFFB_{16}]$
												Return from interrupt. Pull registers from Stack and increment Stack Pointer. $[[SP]] - [PCLO(L)]$ , $[[SP]-1] - [PCH(H)]$ , $[[SP]-2] - [X(L)]$ , $[[SP]-3] - [X(H)]$ , $[[SP]-4] - [A]$ , $[[SP]-5] - [B]$ , $[[SP]-6] - [SP]$ , $[SP] - [SP] - 7$ , $[PCH(H)] - [FFFA_{16}]$ , $[PCLO(L)] - [FFFB_{16}]$
												Return from interrupt. Pull registers from Stack and increment Stack Pointer. $[[SP]] - [PCLO(L)]$ , $[[SP]-1] - [PCH(H)]$ , $[[SP]-2] - [X(L)]$ , $[[SP]-3] - [X(H)]$ , $[[SP]-4] - [A]$ , $[[SP]-5] - [B]$ , $[[SP]-6] - [SP]$ , $[SP] - [SP] - 7$ , $[PCH(H)] - [FFFA_{16}]$ , $[PCLO(L)] - [FFFB_{16}]$
												Return from interrupt. Pull registers from Stack and increment Stack Pointer. $[[SP]] - [PCLO(L)]$ , $[[SP]-1] - [PCH(H)]$ , $[[SP]-2] - [X(L)]$ , $[[SP]-3] - [X(H)]$ , $[[SP]-4] - [A]$ , $[[SP]-5] - [B]$ , $[[SP]-6] - [SP]$ , $[SP] - [SP] - 7$ , $[PCH(H)] - [FFFA_{16}]$ , $[PCLO(L)] - [FFFB_{16}]$
												Return from interrupt. Pull registers from Stack and increment Stack Pointer. $[[SP]] - [PCLO(L)]$ , $[[SP]-1] - [PCH(H)]$ , $[[SP]-2] - [X(L)]$ , $[[SP]-3] - [X(H)]$ , $[[SP]-4] - [A]$ , $[[SP]-5] - [B]$ , $[[SP]-6] - [SP]$ , $[SP] - [SP] - 7$ , $[PCH(H)] - [FFFA_{16}]$ , $[PCLO(L)] - [FFFB_{16}]$

Software interrupt: push registers onto Stack, decrement Stack Pointer, and jump to interrupt subroutine.

Table 3-4. A Summary of the 6800 Instruction Set (Continued)

TYPE	MNEMONIC	OPERAND(S)	BYTES	STATUSES					OPERATION PERFORMED	
				C	Z	S	O	Ac		I
INTERRUPT (CONTINUED)	WAI		1						1	[[SP]]—[PCLO], [[SP]-1]—[PC(H)], [[SP]-2]—[X(LO)], [[SP]-3]—[X(H)], [[SP]-4]—[A], [[SP]-5]—[B], [[SP]-6]—[SR], [SP]—[SP]-7 Push registers onto Stack, decrement Stack Pointer, and wait for interrupt. If [I]=1 when WAI is executed, a non-maskable interrupt is required to exit the Wait state. Otherwise, [I]— 1 when the interrupt occurs.
STATUS	CLC		1	0						C ← 0 Clear carry
	SEC		1	1						C ← 1 Set carry
	CLV		1			0				O ← 0 Clear overflow status bit
	SEV		1			1				O ← 1 Set overflow status bit
	TAP		1	X	X	X	X	X		[SR]—[A] Transfer contents of Accumulator A to Status register.
	TPA		1						[A]—[SR] Transfer contents of Status register to Accumulator A.	
	NOP		1							No Operation

### 3-22 6800 Assembly Language Programming

The following codes are used in Table 3-5:

- data8 8-bit immediate data
- data16 16-bit immediate data
- addr8 8-bit direct address
- addr16 16-bit extended address
- disp 8-bit signed address displacement
- index 8-bit unsigned address index

Table 3-5. 6800 Instruction Set Object Codes

MNEMONIC	OPERAND	ADDRESS MODE	OBJECT CODE	BYTES	MACHINE CYCLES
ABA		Inher	1B	1	2
ADCA/ADCB	data8	Immed	89/C9	2	2
	addr8	Direct	99/D9	2	3
	index	Index	A9/E9	2	5
	addr16	Extend	B9/F9	3	4
ADDA/ADDB	data8	Immed	8B/CB	2	2
	addr8	Direct	9B/DB	2	3
	index	Index	AB/EB	2	5
	addr16	Extend	BB/FB	3	4
ANDA/ANDB	data8	Immed	84/C4	2	2
	addr8	Direct	94/D4	2	3
	index	Index	A4/E4	2	5
	addr16	Extend	B4/F4	3	4
ASL	index	Index	68	2	7
	addr16	Extend	78	3	6
ASLA/ASLB		Accum	48/58	1	2
ASR	index	Index	67	2	7
	addr16	Extend	77	3	6
ASRA/ASRB		Accum	47/57	1	2
BCC	disp	Rel	24	2	4
BCS	disp	Rel	25	2	4
BEQ	disp	Rel	27	2	4
BGE	disp	Rel	2C	2	4
BGT	disp	Rel	2E	2	4
BHI	disp	Rel	22	2	4
BITA/BITB	data8	Immed	85/C5	2	2
	addr8	Direct	95/D5	2	3
	index	Index	A5/E5	2	5
	addr16	Extend	B5/F5	3	4
BLE	disp	Rel	2F	2	4
BLS	disp	Rel	23	2	4
BLT	disp	Rel	2D	2	4
BMI	disp	Rel	2B	2	4
BNE	disp	Rel	26	2	4
BPL	disp	Rel	2A	2	4
BRA	disp	Rel	20	2	4
BSR	disp	Rel	8D	2	8
BVC	disp	Rel	28	2	4
BVS	disp	Rel	29	2	4
CBA		Inher	11	1	2

Table 3-5. 6800 Instruction Set Object Codes (Continued)

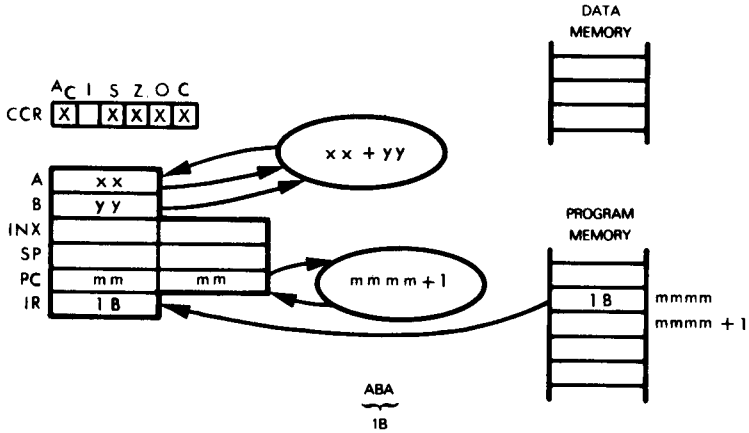
MNEMONIC	OPERAND	ADDRESS MODE	OBJECT CODE	BYTES	MACHINE CYCLES
CLC		Inher	0C	1	2
CLI		Inher	0E	1	2
CLR	index	Index	6F	2	7
	addr16	Extend	7F	3	6
CLRA/CLRB		Accum	4F/5F	1	2
CLV		Inher	0A	1	2
CMPA/CMPB	data8	Immed	81/C1	2	2
	addr8	Direct	91/D1	2	3
	index	Index	A1/E1	2	5
	addr16	Extend	B1/F1	3	4
COM	index	Index	63	2	7
	addr16	Extend	73	3	6
COMA/COMB		Accum	43/53	1	2
CPX	data16	Immed	8C	3	3
	addr8	Direct	9C	2	4
	index	Index	AC	2	6
	addr16	Extend	BC	3	5
DAA		Inher	19	1	2
DEC	index	Index	6A	2	7
	addr16	Extend	7A	3	6
DECA/DECB		Accum	4A/5A	1	2
DES		Inher	34	1	4
DEX		Inher	09	1	4
EORA/EORB	data8	Immed	88/C8	2	2
	addr8	Direct	98/D8	2	3
	index	Index	A8/E8	2	5
	addr16	Extend	B8/F8	3	4
INC	index	Index	6C	2	7
	addr16	Extend	7C	3	6
INCA/INCB		Accum	4C/5C	1	2
INS		Inher	31	1	4
INX		Inher	08	1	4
JMP	index	Index	6E	2	4
	addr16	Extend	7E	3	3
JSR	index	Index	AD	2	8
	addr16	Extend	BD	3	9
LDA/LDAB	data8	Immed	86/C6	2	2
	addr8	Direct	96/D6	2	3
	index	Index	A6/E6	2	5
	addr16	Extend	B6/F6	3	4
LDS	data16	Immed	8E	3	3
	addr8	Direct	9E	2	4
	index	Index	AE	2	6
	addr16	Extend	BE	3	5
LDX	data16	Immed	CE	3	3
	addr8	Direct	DE	2	4
	index	Index	EE	2	6
	addr16	Extend	FE	3	5
LSR	index	Index	64	2	7
	addr16	Extend	74	3	6

3-24 6800 Assembly Language Programming

Table 3-5. 6800 Instruction Set Object Codes (Continued)

MNEMONIC	OPERAND	ADDRESS MODE	OBJECT CODE	BYTES	MACHINE CYCLES
LSRA/LSRB		Accum	44/54	1	2
NEG	index	Index	60	2	7
	addr16	Extend	70	3	6
NEGA/NEGB		Accum	40/50	1	2
NOP		Inher	01	1	2
ORAA/ORAB	data8	Immed	8A/CA	2	2
	addr8	Direct	9A/DA	2	3
	index	Index	AA/EA	2	5
	addr16	Extend	BA/FA	3	4
PSHA/PSHB		Accum	36/37	1	4
PULA/PULB		Accum	32/33	1	4
ROL	index	Index	69	2	7
	addr16	Extend	79	3	6
ROLA/ROLB		Accum	49/59	1	2
ROR	index	Index	66	2	7
	addr16	Extend	76	3	6
RORA/RORB		Accum	46/56	1	2
RTI		Inher	3B	1	10
RTS		Inher	39	1	5
SBA		Inher	10	1	2
SBCA/SBCB	data8	Immed	82/C2	2	2
	addr8	Direct	92/D2	2	3
	index	Index	A2/E2	2	5
	addr16	Extend	B2/F2	3	4
SEC		Inher	0D	1	2
SEI		Inher	0F	1	2
SEV		Inher	0B	1	2
STAA/STAB	addr8	Direct	97/D7	2	4
	index	Index	A7/E7	2	6
	addr16	Extend	B7/F7	3	5
STS	addr8	Direct	9F	2	5
	index	Index	AF	2	7
	addr16	Extend	BF	3	6
STX	addr8	Direct	DF	2	5
	index	Index	EF	2	7
	addr16	Extend	FF	3	6
SUBA/SUBB	data8	Immed	80/C0	2	2
	addr8	Direct	90/D0	2	3
	index	Index	A0/E0	2	5
	addr16	Extend	B0/F0	3	4
SWI		Inher	3F	1	12
TAB		Inher	16	1	2
TAP		Inher	06	1	2
TBA		Inher	17	1	2
TPA		Inher	07	1	2
TST	index	Index	6D	2	7
	addr16	Extend	7D	3	6
TSTA/TSTB		Accum	4D/5D	1	2
TSX		Inher	30	1	4
TXS		Inher	35	1	4
WAI		Inher	3E	1	9

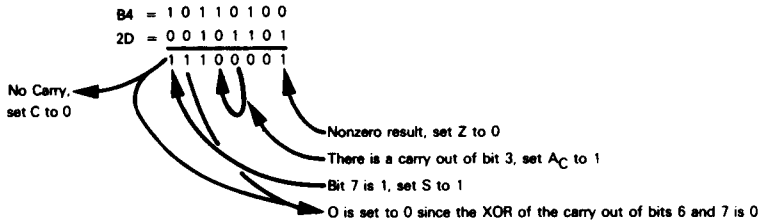
### ABA — ADD ACCUMULATOR B TO ACCUMULATOR A



Add the contents of Accumulator B to the contents of Accumulator A. Store the result in Accumulator A. If  $xx = B4_{16}$  and  $yy = 2D_{16}$ , then after the instruction:

ABA

has executed, Accumulator A will contain  $E1_{16}$ .



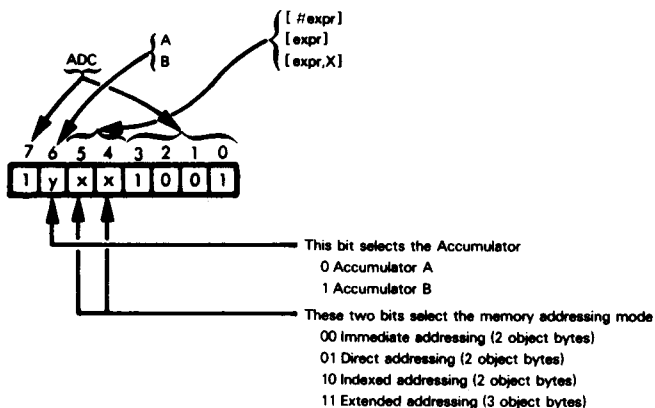
This is a routine data manipulation instruction.

### ADC — ADD MEMORY, WITH CARRY, TO ACCUMULATOR A OR B

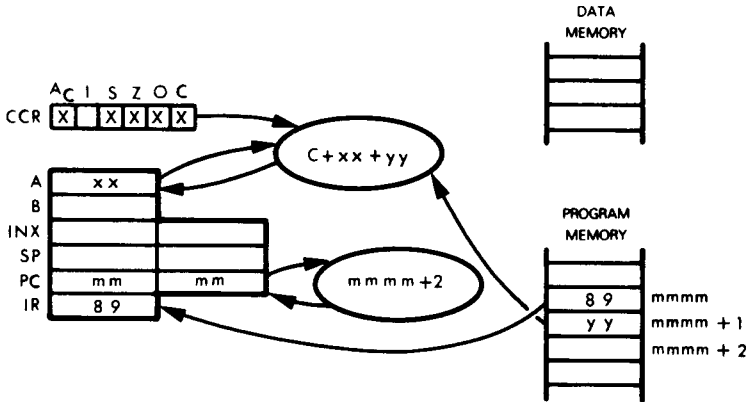
This instruction uses four methods of addressing data memory and allows the contents of data memory and the carry status to be added to Accumulator A or B. The four methods of addressing memory are:

- 1) Immediate
- 2) Direct
- 3) Extended
- 4) Indexed

The first byte of object code determines which addressing options are selected:



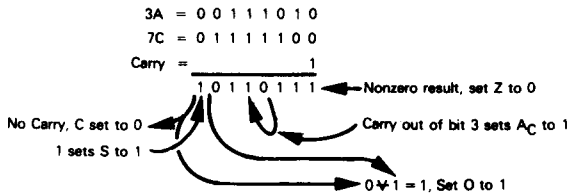
First, consider performing an addition with carry using immediate data.



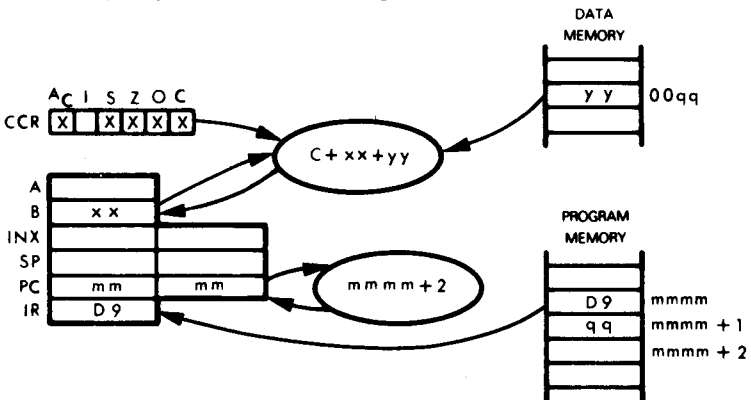
To Accumulator A, (selected by bit 6 of the byte in the Instruction register), add the contents of the next program memory byte. (addressing mode selected by bits 5 and 4 of the byte in the Instruction register) and the Carry status. Suppose  $xx = 3A_{16}$ ,  $yy = 7C_{16}$ ,  $C = 1$ . After the instruction:

```
ADC A #$7C
```

has executed, the Accumulator will contain  $B7_{16}$ :



Consider adding using direct memory addressing:



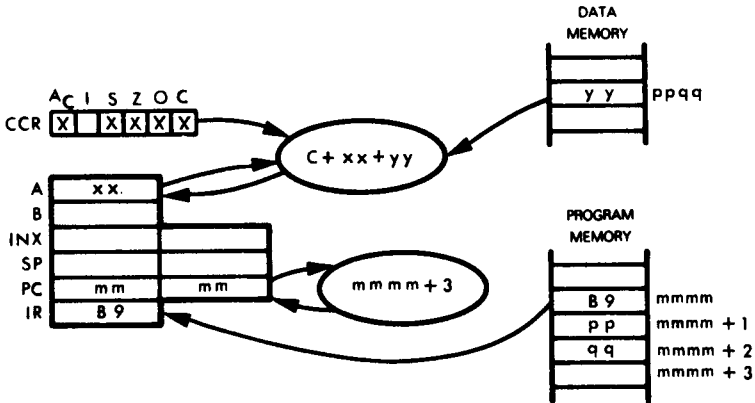
### 3-28 6800 Assembly Language Programming

To Accumulator B add the Carry status and the contents of the data memory addressed by the next program memory byte ( $mmmm + 1$ ). Note that the next program memory byte will address data memory bytes in the range  $0_{10} \leqq \leqq 255_{10}$ . If  $xx = 3A_{16}$ ,  $qq = 1F_{16}$ ,  $yy = 7C_{16}$  and  $C = 1$ , then execution of the instruction:

ADC B \$1F

generates the same result as execution of the previously described ADC A #\$7C instruction, with the exception that the result is stored in Accumulator B instead of Accumulator A.

Addition with carry using extended addressing works in a similar manner to direct addressing:

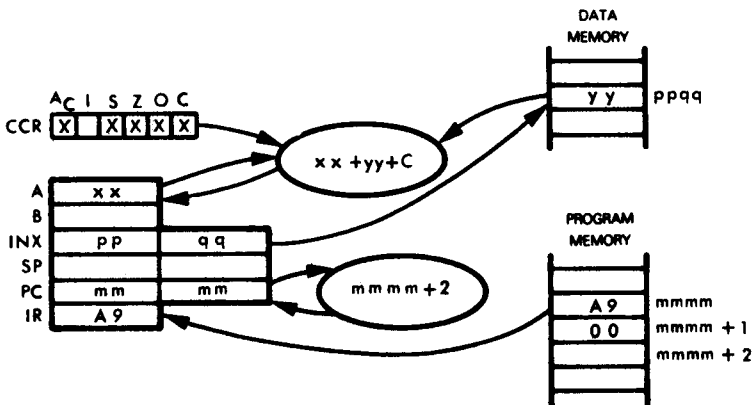


To Accumulator A, add the Carry status and the contents of data memory addressed by the next two program memory bytes, (high order address byte in the second object code byte,  $mmmm + 1$ , and the low order address byte in the third object code byte,  $mmmm + 2$ ). Note that the two program bytes can address data memory bytes in the range  $0 \leqq ppqq \leqq 65,355_{10}$ . If  $xx = 3A_{16}$ ,  $pp = 50_{16}$ ,  $qq = 23_{16}$ ,  $yy = 7C_{16}$  and  $C = 1$ , then execution of the instruction:

ADC A \$5023

produces the same result as execution of the ADC A #\$7C instruction which was described above.

Indexed addressing takes two different forms. Indexed addressing with no displacement, similar to implied addressing described in An Introduction To Microcomputers: Volume 1 uses the contents of the Index register to ascertain the memory address to be referenced.

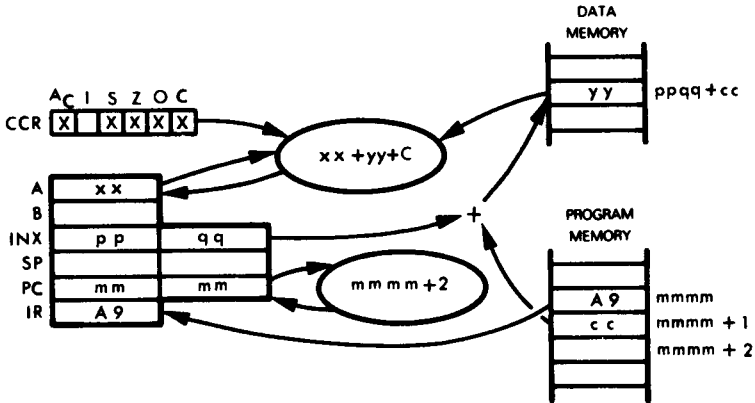


To Accumulator A, add the Carry status and the contents of data memory addressed by the Index register. Note that the Index register can address data memory bytes in the range  $0 \leq ppqq \leq 65,355$ . If  $xx = 3A_{16}$ ,  $ppqq$  (the contents of INX) =  $5023_{16}$ ,  $yy = 76_{16}$  and  $C = 1$ , then execution of the instruction:

ADC A X

produces the same result as ADC A \$5023 which has been described above.

Indexed addressing with displacement allows a displacement in the byte following the instruction to be added to the contents of the Index register.



To Accumulator A, add the contents of memory addressed by the sum of the Index register and the program memory byte following the instruction code. (Note that in the previous example  $mmmm + 1$  was 0), and the Carry status. The value in  $mmmm + 1$  is treated as an 8-bit unsigned integer when the addition with the Index register is performed. If  $xx = 3A_{16}$ ,  $ppqq = 500D_{16}$ ,  $cc = 16_{16}$ ,  $yy = 76_{16}$  and  $C = 1$ , then the instruction:

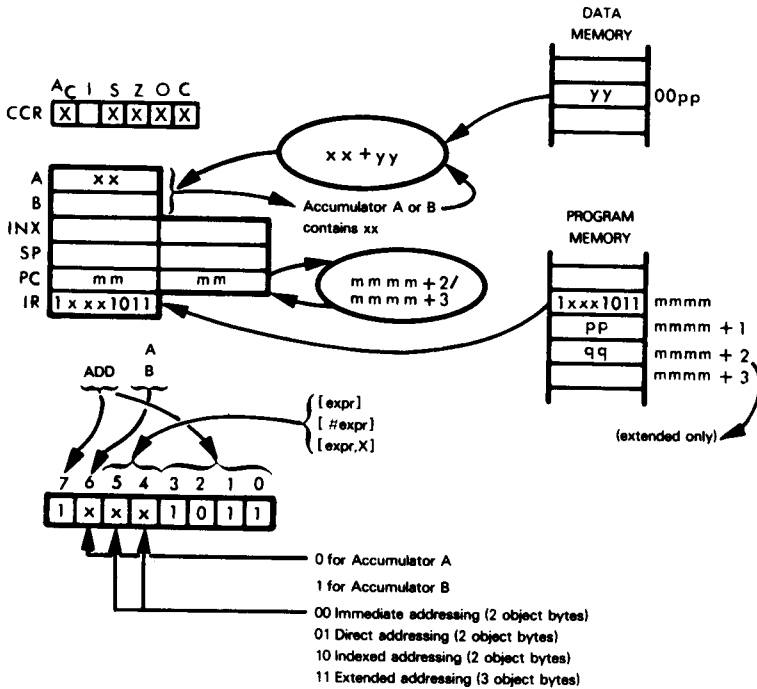
ADC A \$16,X

generates the same result as the ADC A \$5023 instruction discussed previously.

The ADC instruction is most frequently used in multibyte additions, to include the carry in the addition of the second and subsequent bytes.

### ADD — ADD MEMORY TO ACCUMULATOR

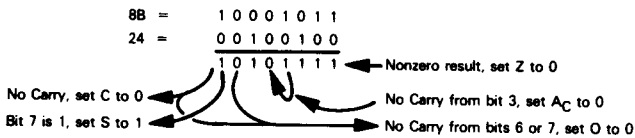
This instruction ADDS the contents of a memory location to Accumulator A or B. This instruction offers the same memory addressing options as the ADC instruction, and will be illustrated using direct addressing; consult the ADC instruction for the other available modes.



To the selected Accumulator, add the contents of the selected memory byte. Suppose  $xx = 24_{16}$ ,  $yy = 8B_{16}$ ,  $pp = 43_{16}$  and  $C = 1$ . After the instruction:

ADD A \$43

has executed, Accumulator A will contain  $AF_{16}$ .

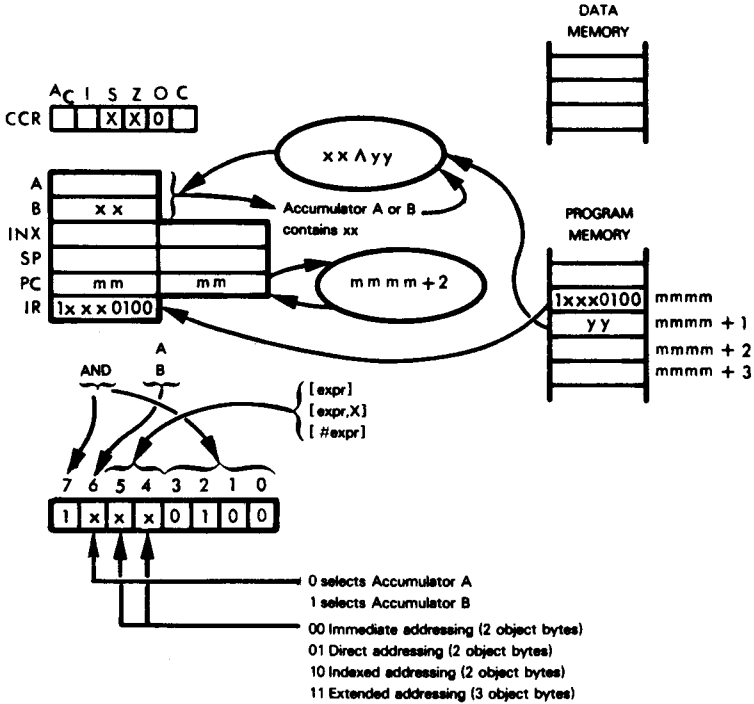


ADD is the binary addition instruction used in normal, single-byte operations; it is also the instruction used to add the low order bytes of two multibyte numbers.

### AND — AND MEMORY WITH ACCUMULATOR

This instruction ANDs the contents of a memory location with the contents of Accumulator A or B. This instruction offers the same memory addressing options as the ADC instruction, and will be

illustrated using immediate addressing; consult the description of the ADC instruction for the other addressing modes.



AND the contents of the selected memory byte with the selected Accumulator and store the result in the selected Accumulator. Suppose  $xx = FC_{16}$  and  $yy = 13_{16}$ . After the instruction:

AND B  $\#\$13$

has executed, Accumulator B will contain  $10_{16}$ .

FC =  $11111100$

13 =  $00010011$

$00010000$  ← Nonzero result. Set Z to 0

0 in bit 7 sets S to 0

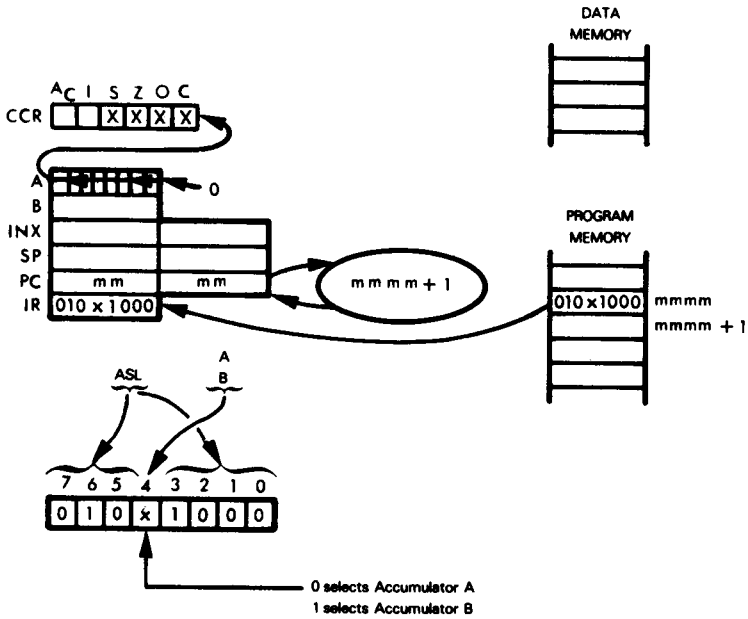
0 is cleared to 0

AND is a frequently used logical instruction.

### ASL — SHIFT ACCUMULATOR OR MEMORY BYTE LEFT

Perform a one-bit arithmetic left shift of the contents of Accumulator A or B or the contents of the selected memory byte.

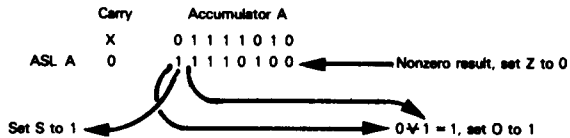
First, consider shifting an Accumulator:



Suppose Accumulator A contains  $7A_{16}$ . Performing an:

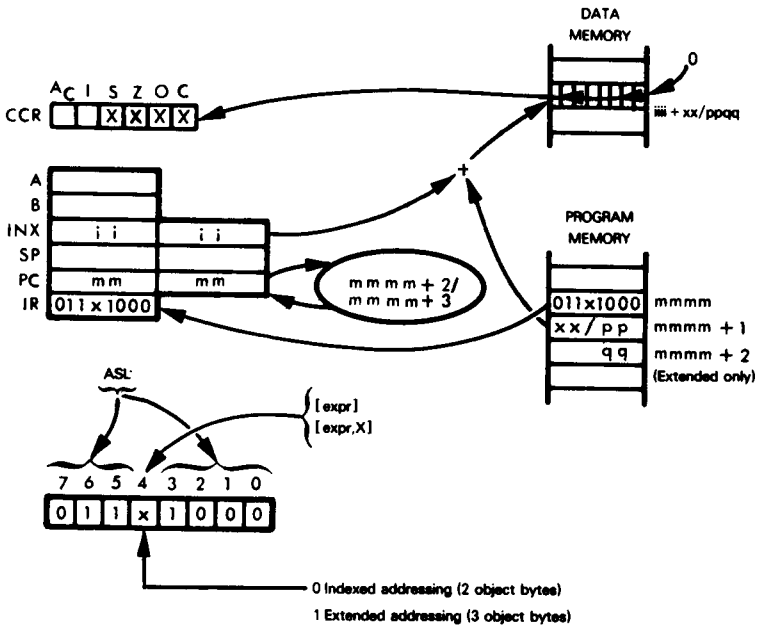
ASL A

instruction will set the Carry status to 0, the Sign status to 1, the Overflow status to 1, the Zero status to 0 and store  $F4_{16}$  in Accumulator A.



The ASL instruction uses two data memory addressing options:

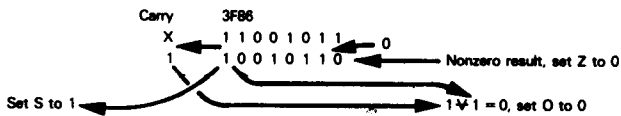
- 1) Extended
- 2) Indexed



Suppose indexed addressing is used,  $iiii = 3F3C_{16}$ ,  $xx = 4A_{16}$ ,  $ppqq = 3F86_{16}$  and the contents of  $ppqq$  are  $CB_{16}$ . After executing an:

ASL  $\$4A,X$

instruction, the contents of  $ppqq$  will be altered to  $96_{16}$  and Carry will be set to 1:

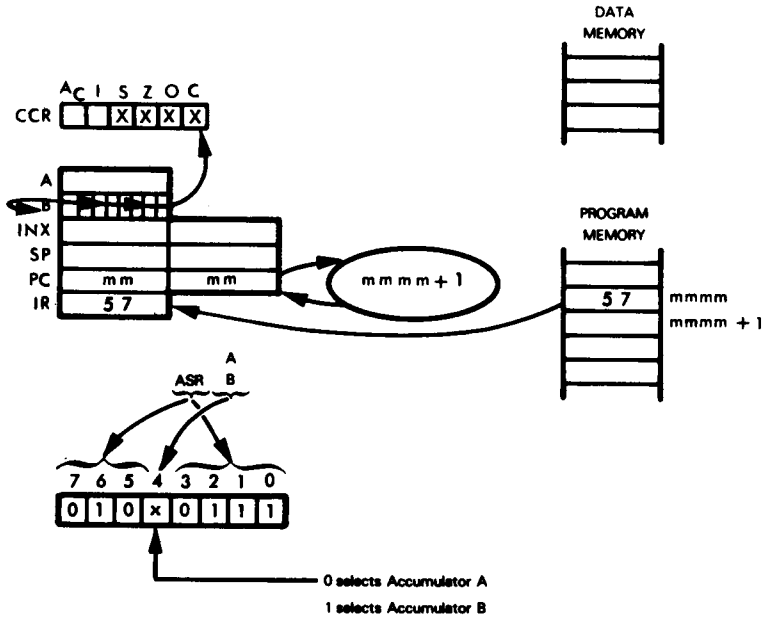


The ASL instruction is often used in multiplication routines and as a standard logical instruction. Note that a single ASL instruction multiplies its operand by 2.

### ASR — SHIFT ACCUMULATOR OR MEMORY BYTE RIGHT

Perform a one-bit arithmetic right shift of the contents of Accumulator A or B or the contents of a selected memory byte.

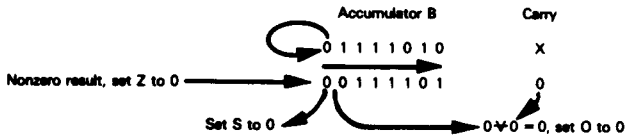
First, consider right shifting an Accumulator:



Suppose Accumulator B contains  $7A_{16}$ . Performing an:

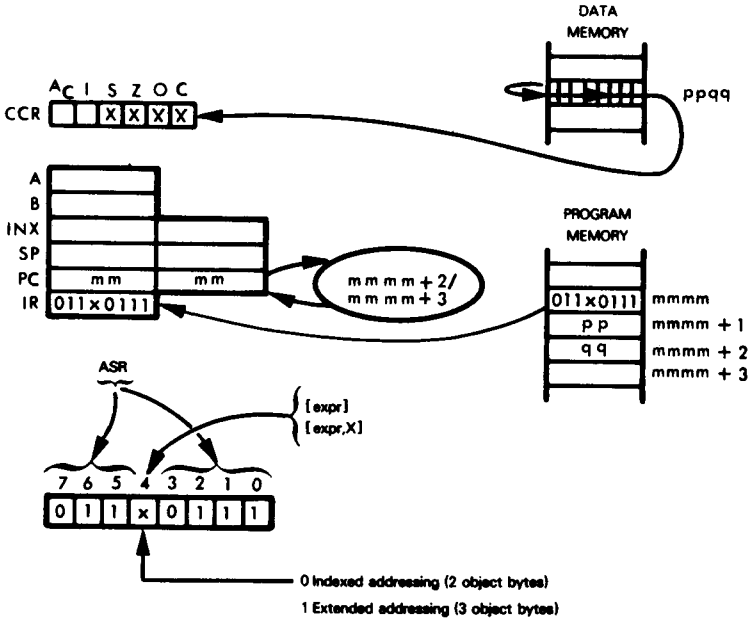
ASR B

instruction will set Carry to 0, Sign to 0, Overflow to 0, Zero to 0 and store  $3D_{16}$  in Accumulator B.



The ASR instruction uses two memory addressing options:

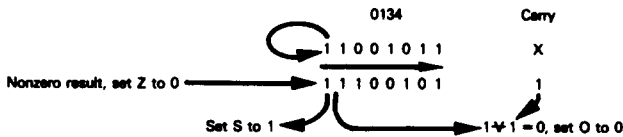
- 1) Extended
- 2) Indexed



Suppose extended addressing is used,  $pp = 01_{16}$ ,  $qq = 34_{16}$ , and the contents of  $0134_{16}$  are  $CB_{16}$ . Executing an:

```
ASR    $0134
```

instruction will alter the contents of memory location  $0134_{16}$  to  $E5_{16}$ .



ASR is frequently used in division routines.

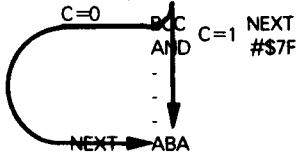
### BCC — BRANCH IF CARRY CLEAR

BCC  
24

This instruction is identical to the BRA instruction except that the branch is only executed if the Carry status equals 0, otherwise the next instruction is executed.

### 3-36 6800 Assembly Language Programming

In the following instruction sequence:



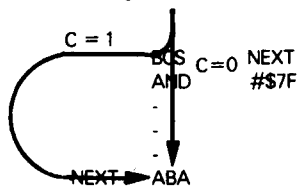
after the BCC instruction, the ABA instruction is executed if the Carry status equals 0. The AND instruction is executed if the Carry status equals 1.

#### **BCS — BRANCH IF CARRY SET**

BCS  
25

This instruction is identical to the BRA instruction except that the branch is only executed if the Carry status equals 1, otherwise the next instruction is executed.

In the following instruction sequence:



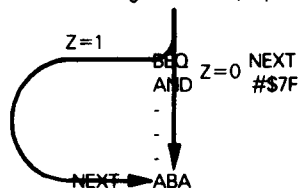
After the BCS instruction, the ABA instruction is executed if the Carry status equals 1. The AND instruction is executed if the Carry status equals 0.

#### **BEQ — BRANCH IF EQUAL**

BEQ  
27

This instruction is identical to the BRA instruction except that the branch is executed only if the Zero status equals 1; otherwise the next instruction is executed.

In the following instruction sequence:



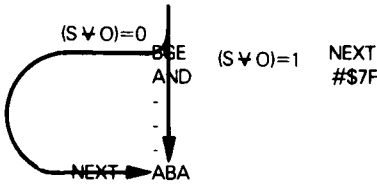
After the BEQ instruction, the ABA instruction is executed if the Zero status equals 1. The AND instruction is executed if the Zero status equals 0.

#### **BGE — BRANCH IF GREATER THAN OR EQUAL TO ZERO**

BGE  
2C

This instruction is identical to the BRA instruction except that the branch is executed only if the Exclusive-OR of the Sign and Overflow statuses is 0; i.e., Sign and Overflow are both 1 or Sign and Overflow are both 0; otherwise the next instruction is executed.

In the following instruction sequence:



After the BGE instruction, the ABA instruction is executed if the Sign and Overflow statuses are both 1 or if they are both 0. The AND instruction is executed if the Sign status does not equal the Overflow status.

This instruction is used to perform a twos complement greater than or equal branch.

### BGT — BRANCH IF GREATER THAN ZERO

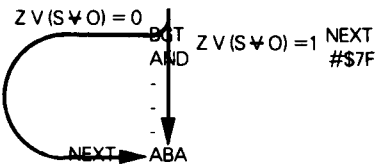
BGT  
—  
2E

This instruction is identical to the BRA instruction except that the branch is executed only if one of the following two conditions is met:

- 1) The Zero status is 0 and the Sign and Overflow statuses are 0.
- 2) The Zero status is 0 and the Sign and Overflow statuses are 1.

Otherwise, the next instruction is executed.

In the following instruction sequence:



After the BGT instruction, the ABA instruction is executed if the Zero flag is 0 and the Exclusive-OR of the Sign and Overflow statuses is 0. In all other cases, the AND instruction is executed.

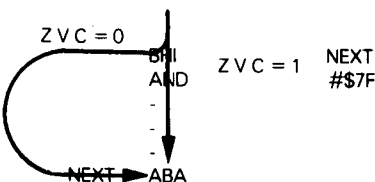
This instruction is used to implement a twos complement greater than branch capability.

### BHI — BRANCH IF HIGHER

BHI  
—  
22

This instruction is identical to the BRA instruction except that the branch is executed only if the Zero status and the Carry status are 0; otherwise the next instruction is executed.

In the following instruction sequence:

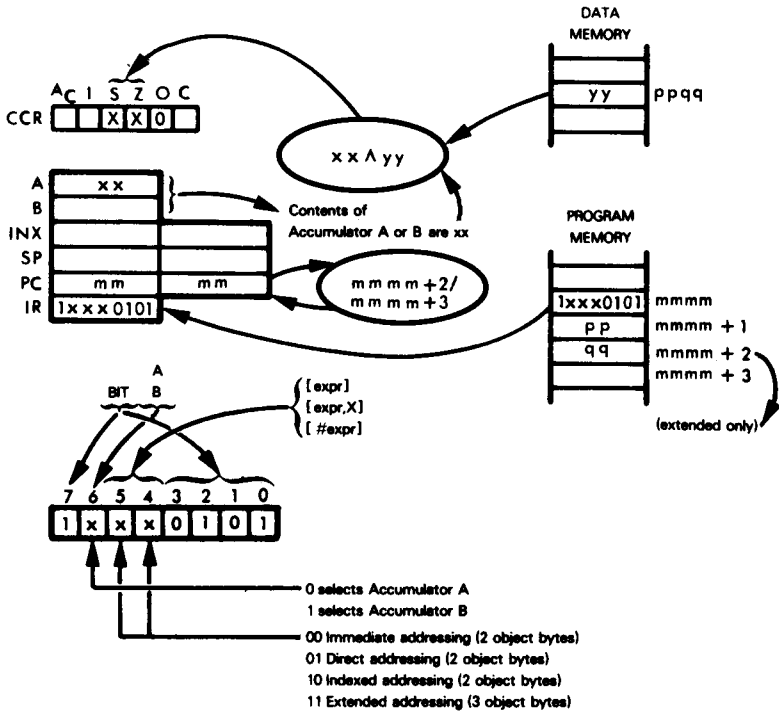


After the BHL instruction is executed, the ABA instruction is executed if the Zero and Carry statuses are 0. The AND instruction is executed if either the Zero or Carry status is 1 or both the Zero and Carry statuses are 1.

This instruction provides an unsigned greater than branch instruction. Contrast this instruction with the BGT instruction.

### BIT — BIT TEST

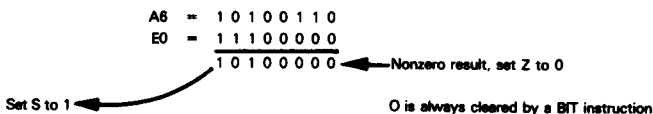
This instruction ANDs the contents of Accumulator A or B with the contents of a selected memory location, sets the condition flags accordingly, but does not alter the contents of the Accumulator or memory byte. This instruction offers the same memory addressing options as the ADC instruction. This instruction will be illustrated using extended addressing; consult the ADC instruction for the other available modes.



AND the contents of the specified Accumulator with the contents of the selected memory location and set the Sign and Zero condition flags accordingly. Suppose  $xx=A6_{16}$ ,  $yy=E0_{16}$  and  $ppqq=1641_{16}$ . After the instruction:

```
BIT A $1641
```

has executed, Accumulator A will still contain  $A6_{16}$ , location  $ppqq$  will still contain  $E0_{16}$  but the statuses will be modified as follows:



BIT instructions frequently precede conditional Branch instructions. BIT instructions are also used to perform masking functions on data.

### BLE — BRANCH IF LESS THAN OR EQUAL TO ZERO

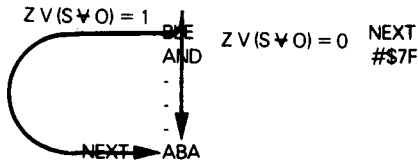
BLE  
2F

This instruction is identical to the BRA instruction with the exception that the branch is executed only if one or more of the three following conditions exist:

- 1) The Zero status is 1.
- 2) The Overflow status is 1 and the Sign status is 0.
- 3) The Overflow status is 0 and the Sign status is 1.

Otherwise the next instruction is executed.

In the following instruction sequence:



After the BLE instruction, the ABA instruction is executed if the Zero status is 1 or the Exclusive-OR of the Sign and Overflow statuses is 1. The AND instruction is executed if the Zero status is 0 and the Exclusive-OR of the Sign and Overflow statuses is 0.

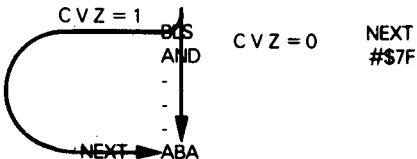
This instruction provides the programmer with a twos complement less than or equal branch.

### BLS — BRANCH IF LOWER OR SAME

BLS  
23

This instruction is identical to the BRA instruction except that the branch is executed only if either the Carry or Zero status is set; otherwise the next instruction is executed.

In the following instruction sequence:



After the BLS instruction, the ABA instruction is executed if the Carry or Zero status equals 1. The AND instruction is executed if both the Carry and Zero statuses are 0.

This instruction is useful as an unsigned less than or equal branch. Compare this instruction with the BLE instruction which provides a twos complement less than or equal branch.

### BLT — BRANCH IF LESS THAN ZERO

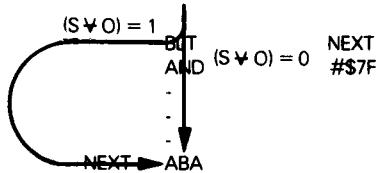
BLT  
2D

This instruction is identical to the BRA instruction except that the branch is performed only when

### 3-40 6800 Assembly Language Programming

the Exclusive-OR of the Sign and Overflow statuses is 1; otherwise the next instruction is executed.

In the following instruction sequence:



After the BLT instruction, the ABA instruction is executed if the Sign and Overflow statuses are not equal. The AND instruction will be executed if the Sign and Overflow statuses are equal.

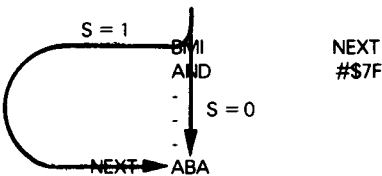
This instruction provides a twos complement less than branch capability.

### BMI — BRANCH IF MINUS

BMI  
2B

This instruction is identical to the BRA instruction except that the branch is executed only if the Sign status is 1; otherwise the next instruction is executed.

In the following instruction sequence:



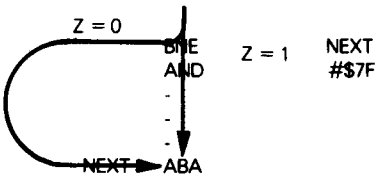
After the BMI instruction, the ABA instruction is executed if the Sign status is 1. The AND instruction is executed if the Sign status is 0.

### BNE — BRANCH IF NOT EQUAL

BNE  
26

This instruction is identical to the BRA instruction except that the branch is executed only if the Zero status is 0; otherwise the next instruction is executed.

In the following instruction sequence:



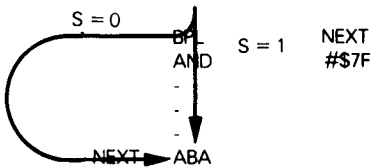
After the BNE instruction, the ABA instruction is executed if the Zero status is 0. The AND instruction is executed if the Zero status is 1.

### BPL — BRANCH IF PLUS

BPL  
2A

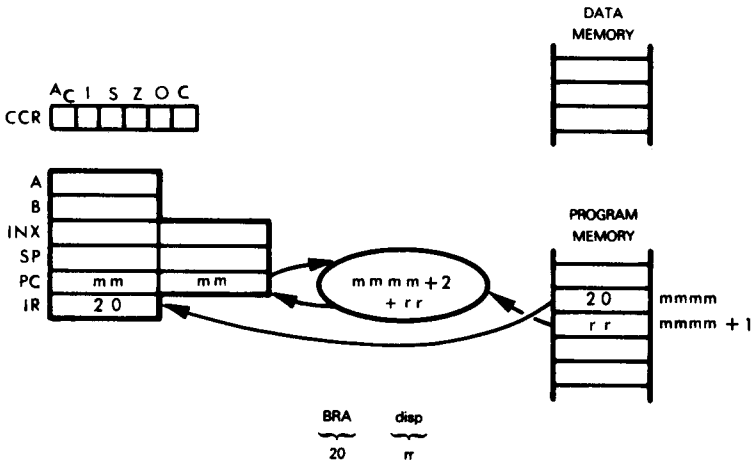
This instruction is identical to the BRA instruction except that the branch is executed only if the Sign status is 0; otherwise the next instruction is executed.

In the following instruction sequence:



After the BPL instruction, the ABA instruction is executed if the Sign status is 0. The AND instruction is executed if the Sign status is 1.

### BRA — BRANCH TO THE INSTRUCTION IDENTIFIED IN THE OPERAND



This instruction adds the contents of the second object code byte (taken as a signed 8-bit displacement) to the contents of the Program Counter plus 2; this becomes the memory address for the next instruction to be executed. The previous Program Counter contents are lost.

In the following instruction sequence:

```

    BRA    NEXT
    AND    #$7F
    .
    .
    .
    NEXT   ABA
    
```

After the BRA instruction, the ABA instruction will be executed. The AND instruction will never be executed unless a Branch or Jump instruction somewhere else in the instruction sequence jumps to this instruction. (Note that since this instruction is not labeled, this is a very unlikely event.)

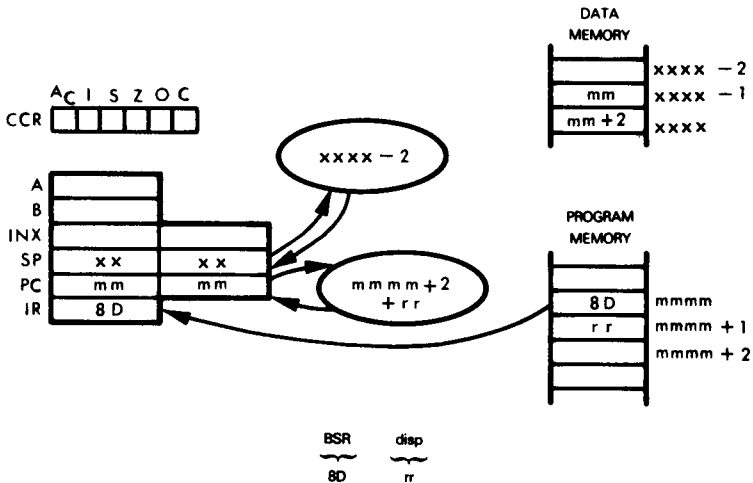
### 3-42 6800 Assembly Language Programming

The Branch instruction uses Branch-Relative addressing, which is similar to Program Relative Paging as described in "An Introduction To Microcomputers: Volume I — Basic Concepts". The exception is that the Program Counter contents are incremented to point to the next instruction before the 8-bit signed displacement is added. Therefore, the Program Counter contents are replaced by:

$$[PC] + 2 + rr$$

Note that in the above example, the ABA instruction labeled by NEXT must be within 129 object bytes (not instructions) of the Branch-to-Next instruction. If it isn't, the Assembler will flag the BRA instruction as an error.

### BSR — BRANCH TO THE SUBROUTINE IDENTIFIED IN THE OPERAND



Store the address of the instruction following the BSR on the top of the stack; the top of the stack is a data memory byte addressed by the Stack Pointer. Then subtract two from the Stack Pointer in order to address the new top of stack. Add the contents of the second byte of the instruction and two to the Program Counter and begin execution.

Consider the instruction sequence:

```

BSR    SUBR
AND    #$7F
-
-
SUBR   ABA
    
```

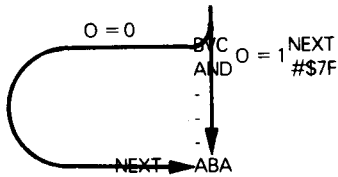
After the BSR instruction has executed, the address of the AND instruction is saved at the top of the stack. The Stack Pointer is decremented by 2. The ABA instruction will be executed next.

### BVC — BRANCH IF OVERFLOW CLEAR

BVC  
 ~~~~~  
 28

This instruction is identical to the BRA instruction except that the branch is executed only if the Overflow status is 0; otherwise the next instruction is executed.

In the following instruction sequence:



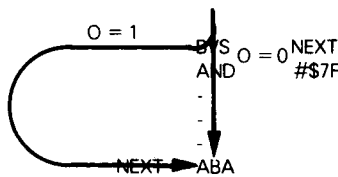
After the BVC instruction, the ABA instruction is executed if the Overflow status is 0. The AND instruction is executed if the Overflow status is 1.

**BVS — BRANCH IF OVERFLOW SET**

BVS  
29

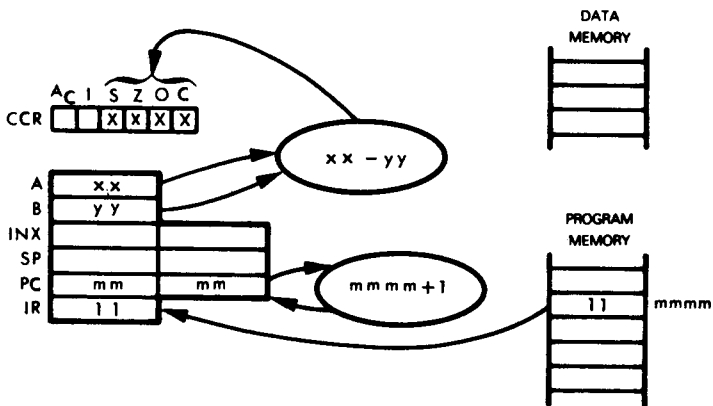
This instruction is identical to the BRA instruction except that the branch is executed only if the Overflow status is 1; otherwise the next instruction is executed.

In the following instruction sequence:



after the BVS instruction, the ABA instruction is executed if the Overflow status equals 1. The AND instruction is executed if the Overflow status equals 0.

**CBA — COMPARE ACCUMULATORS**



CBA  
11

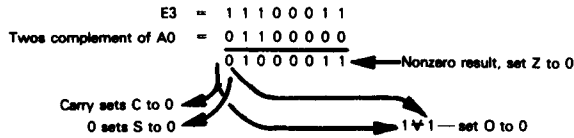
### 3-44 6800 Assembly Language Programming

Subtract the contents of Accumulator B from the contents of Accumulator A. Discard the result, i.e., do not affect the contents of either Accumulator, but modify the status flags to reflect the result of the operation.

Suppose  $xx = E3_{16}$  and  $yy = A0_{16}$ . After the instruction:

CBA

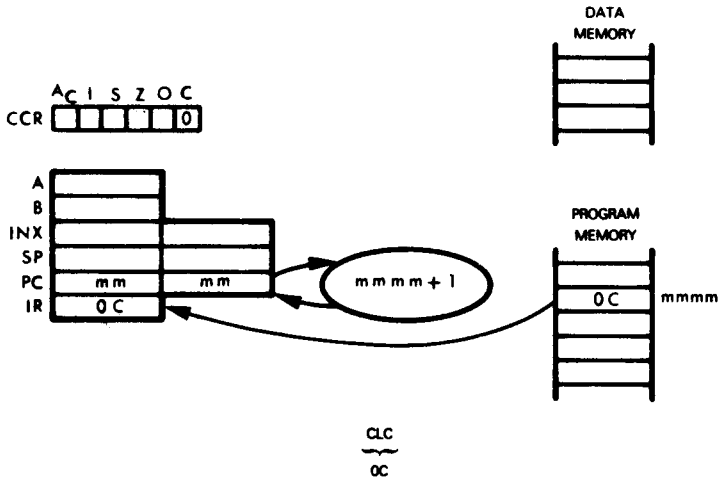
has executed, Accumulator A will still contain  $E3_{16}$  and Accumulator B will still contain  $A0_{16}$ , but statuses will be modified as follows:



Notice that the resulting Carry is complemented.

Compare instructions usually precede conditional Branch instructions.

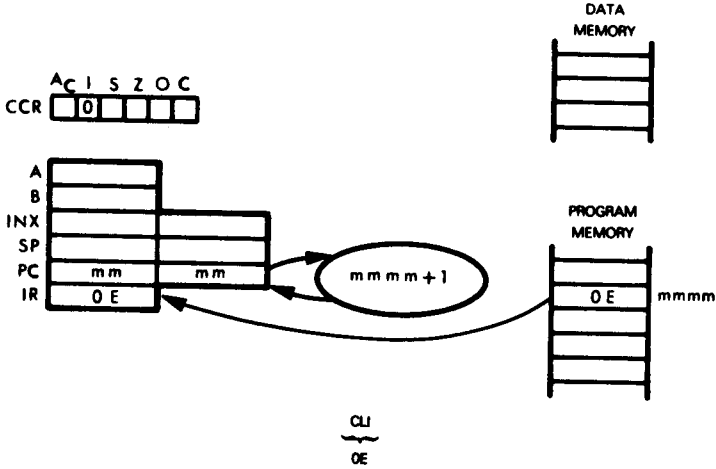
### CLC — CLEAR CARRY



Clear the Carry status. No other status or register's contents are affected.

The Carry status is also cleared by the CLR and TST instructions.

### CLI — CLEAR INTERRUPT MASK

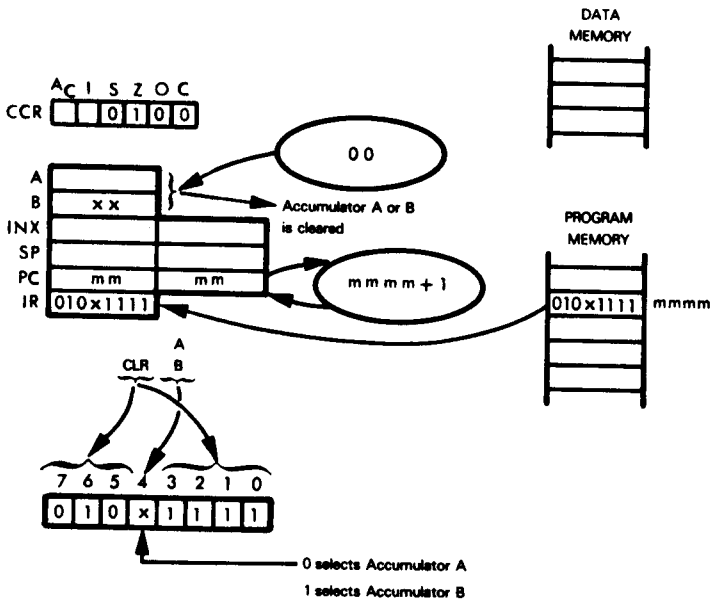


Clear the interrupt mask bit in the Condition Code register. This instruction enables the MC6800's interrupt service ability, i.e., the MC6800 will respond to the Interrupt Request control line. No other registers or statuses are affected.

### CLR — CLEAR ACCUMULATOR OR MEMORY

This instruction clears a specified Accumulator or a selected memory byte. The Zero flag is set to 1; the Sign, Overflow and Carry statuses are set to 0.

First, consider clearing an Accumulator:



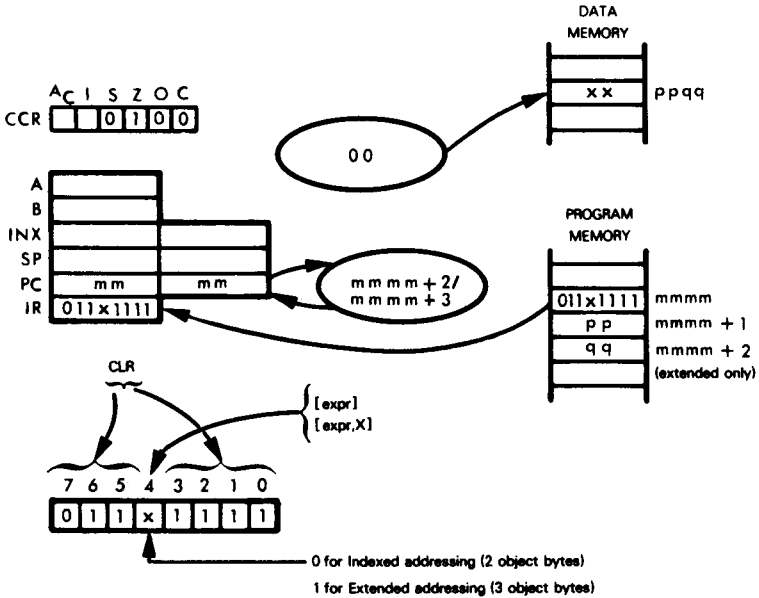
### 3-46 6800 Assembly Language Programming

Clear the contents of the specified Accumulator. Suppose Accumulator B contains  $43_{16}$ . After the instruction:

CLR B

is executed, Accumulator B will contain  $00_{16}$ . In addition, Sign, Overflow and Carry will be 0; Zero will be 1.

The CLR instruction also has two memory addressing modes, Indexed and Extended.

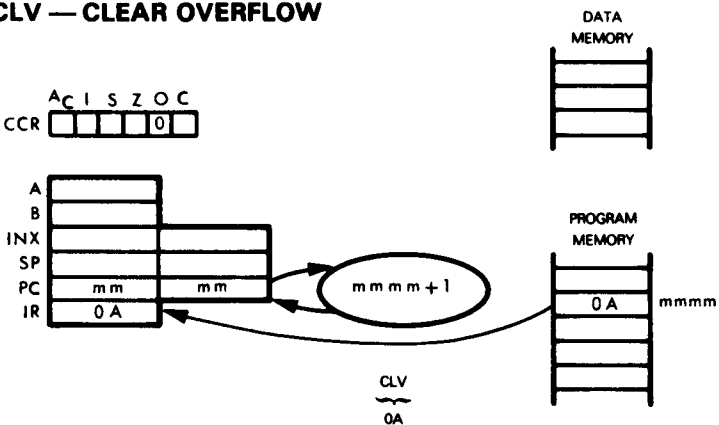


Suppose  $pp = 43_{16}$ ,  $qq = 14_{16}$  and  $xx = 05_{16}$ . After the execution:

CLR       $\$4314$

instruction, the contents of memory location  $4314_{16}$  will be  $00$  and the status flags will be appropriately modified.

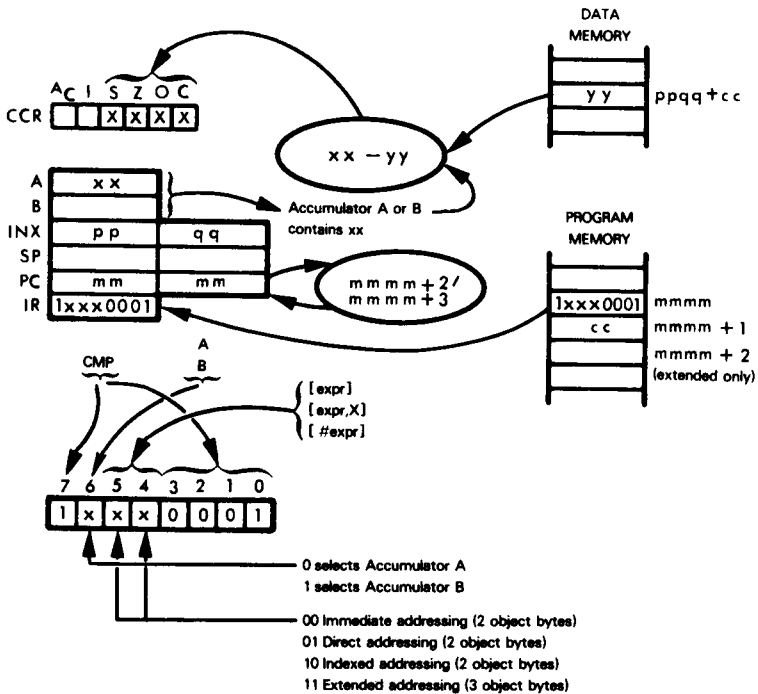
### CLV — CLEAR OVERFLOW



Clear the overflow bit in the Condition Code register. No other registers or statuses are affected.

### CMP — COMPARE ACCUMULATOR WITH MEMORY

This instruction subtracts the contents of a selected memory byte from Accumulator A or B, sets the condition flags accordingly, but does not alter the contents of the Accumulator or memory byte. This instruction offers the same memory addressing options as the ADC instruction. This instruction will be illustrated using indexed addressing; consult the ADC instruction for examples of the other available modes.

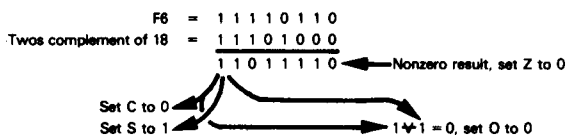


Subtract the contents of the selected memory byte from the contents of the specified Accumulator and set the Sign, Zero, Overflow and Carry statuses to reflect the result of the subtraction. Suppose  $xx = F6_{16}$ ,  $yy = 18_{16}$  and  $cc = 43_{16}$ .

After the instruction:

```
CMP B $43,X
```

has executed, Accumulator B will still contain  $F6_{16}$ , location  $ppqq + 43_{16}$  will still contain  $18_{16}$  but the statuses will be modified as follows:



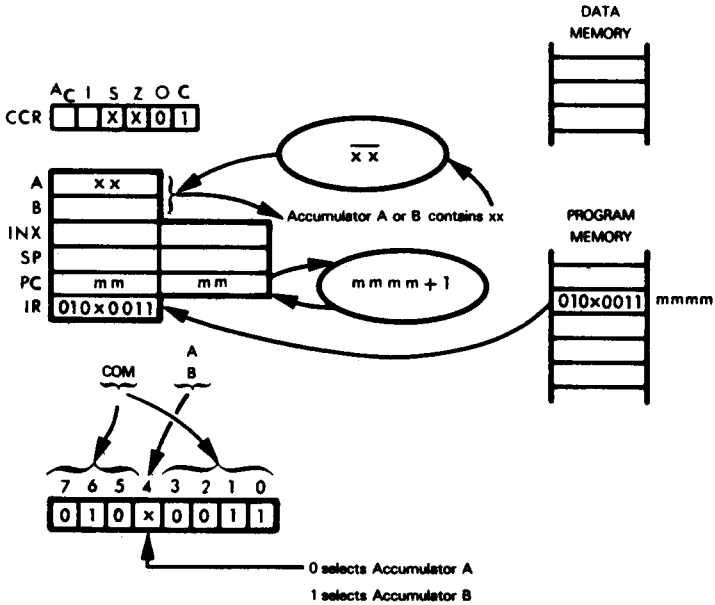
Notice that C is the complement of the resulting carry.

Compare instructions are most frequently used to set statuses before the execution of Branch-on-Condition instructions.

### COM — COMPLEMENT ACCUMULATOR OR MEMORY

This instruction complements a specified Accumulator or a selected memory byte.

First, consider complementing an Accumulator:



Complement the contents of the specified Accumulator. No other status bit or register's contents are affected. Suppose Accumulator B contains  $3A_{16}$ . After the instruction:

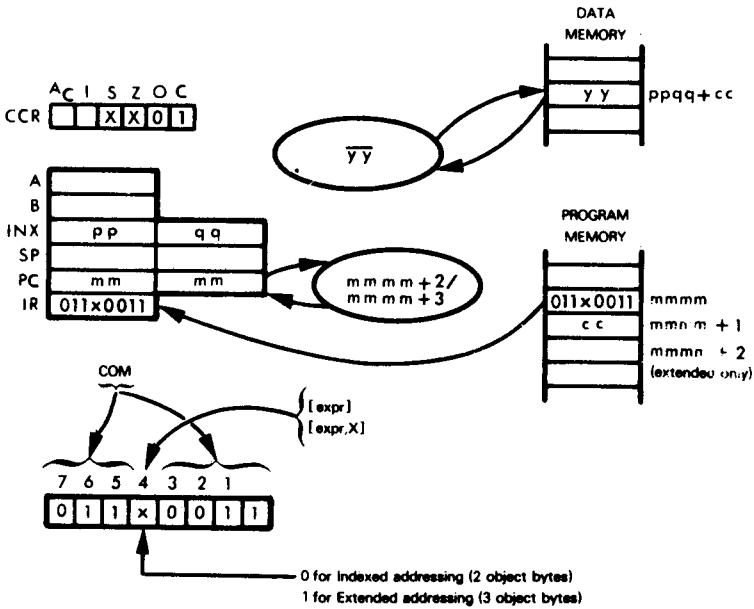
COM B

is executed, the Accumulator will contain  $C5_{16}$ .

|                 |   |                 |                                 |
|-----------------|---|-----------------|---------------------------------|
| $3A_{16}$       | = | 0 0 1 1 1 0 1 0 |                                 |
| Complement      | = | 1 1 0 0 0 1 0 1 | ← Nonzero result, Z is set to 0 |
| Carry is set to |   |                 |                                 |
| S is set to     |   |                 |                                 |
|                 |   |                 | ← Overflow is set to 0          |

The COM instruction also offers two memory addressing modes:

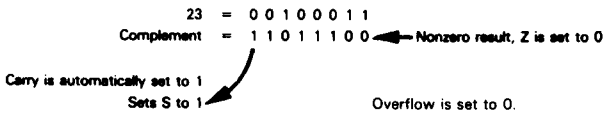
- 1) Extended
- 2) Indexed



Suppose that the contents of the Index register are  $0100_{16}$ , and the contents of memory location  $0113_{16}$  are  $23_{16}$ . After a:

```
COM    $13,X
```

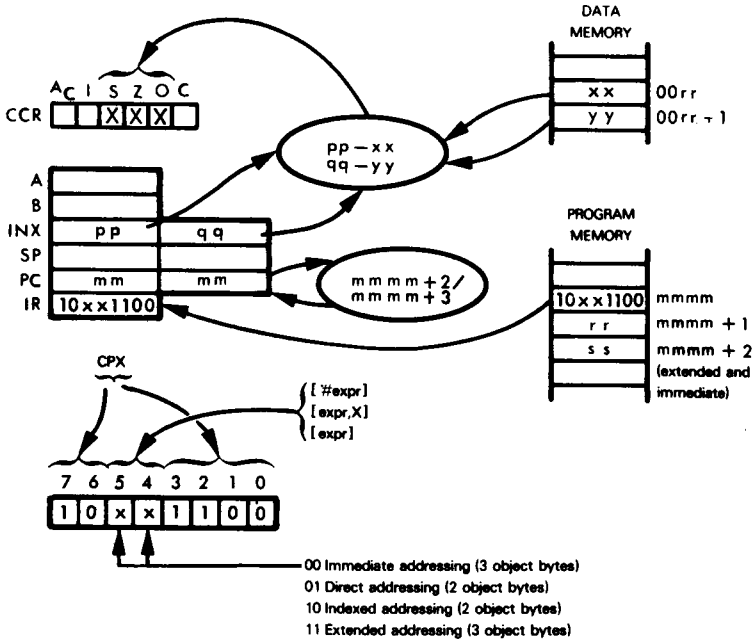
instruction executes, memory location  $0113_{16}$  will be altered to  $DC_{16}$ .



### CPX — COMPARE INDEX REGISTER

This instruction compares the contents of the Index register with the contents of two selected memory locations. This instruction offers the same memory addressing options as the ADC instruction. This instruction will be illustrated using direct addressing; consult the discussion of the ADC instruction for the other addressing modes.

3-50 6800 Assembly Language Programming

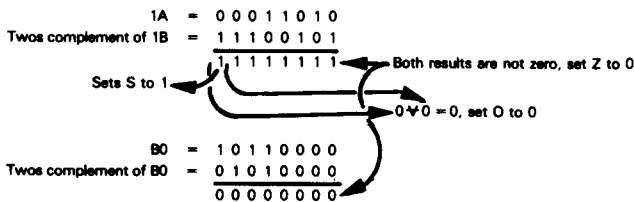


Subtract the contents of the memory byte immediately following the selected memory byte from the low byte of the Index register, and discard the result. Subtract the contents of the selected memory byte from the high byte of the Index register. Set the Sign and Overflow statuses according to the result, set the Zero status to 1 if the result of both subtractions was 0, and discard the result.

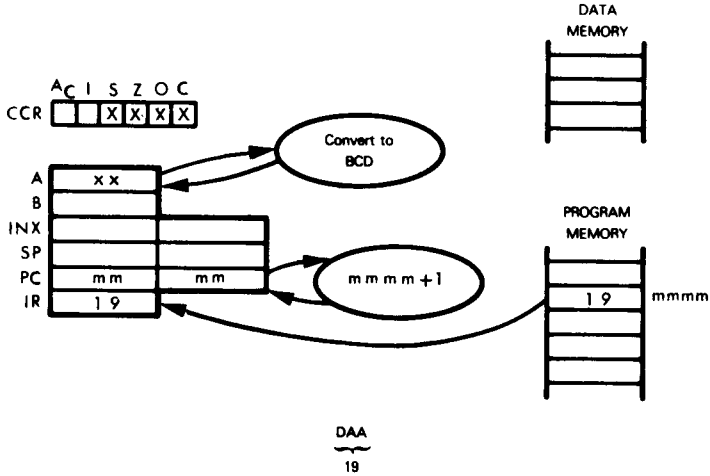
Suppose  $pp = 1A_{16}$ ,  $qq = B0_{16}$ ,  $xx = 1B_{16}$ ,  $yy = B0_{16}$  and  $rr = 43_{16}$ . After the instruction:

CPX     \$43

has executed, the Index register will still contain  $1AB0_{16}$ , location  $0043_{16}$  will still contain  $1B_{16}$  and memory location  $0044_{16}$  will still contain  $B0_{16}$ , but the statuses Sign, Zero and Overflow will be modified as follows:



### DAA — DECIMAL ADJUST ACCUMULATOR



Convert the contents of Accumulator A to binary-coded-decimal form. This instruction should be used only after adding two BCD numbers, i.e., look upon ABA DAA or ADD A DAA or ADC A DAA as compound decimal addition instructions which operate on BCD source to generate BCD answers.

Suppose Accumulator A contains  $39_{16}$  and Accumulator B contains  $47_{16}$ . After the instructions:

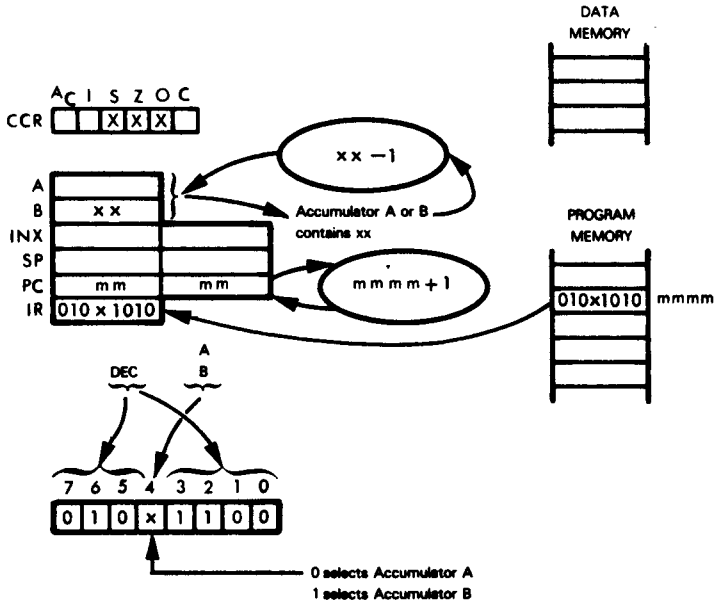
```
ABA
DAA
```

have executed, the Accumulator will contain  $86_{16}$ , not  $80_{16}$ .

The Sign and Zero flags are modified to reflect the status they represent. The Overflow status is destroyed and the Carry status is set or reset as if a hypothetical binary-coded-decimal addition had just taken place.

### DEC — DECREMENT ACCUMULATOR OR MEMORY

This instruction decrements a specified Accumulator or a selected memory byte. Consider decrementing Accumulator A or B.

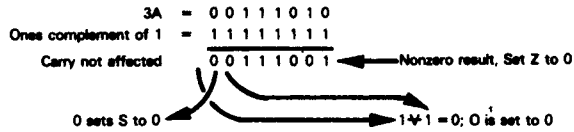


Subtract 1 from the contents of the specified Accumulator.

Suppose Accumulator B contains  $3A_{16}$ . After instruction:

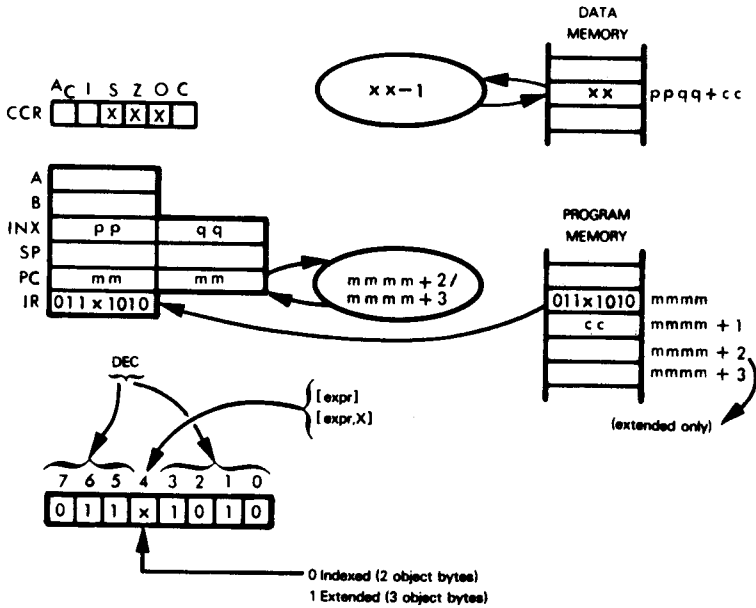
DEC B

has executed, Accumulator B will contain  $39_{16}$ :



The DEC instruction also offers two memory addressing modes:

- 1) Extended
- 2) Indexed

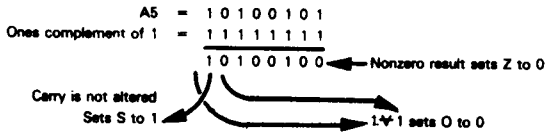


Decrement the contents of the specified memory byte.

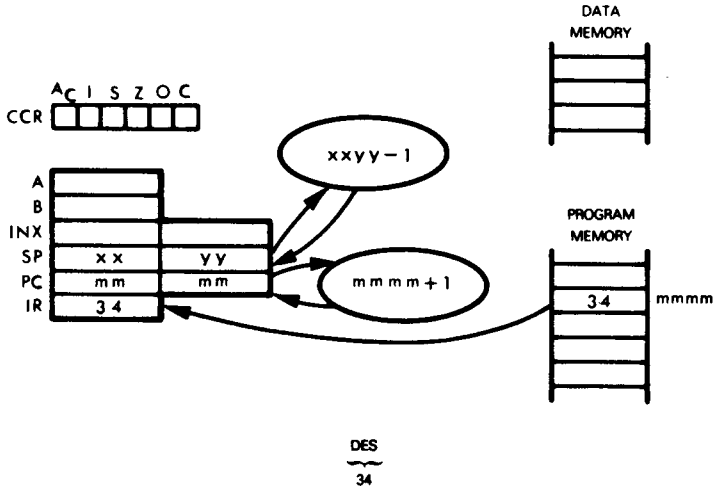
If  $xx = A5_{16}$ ,  $ppqq = 0100_{16}$ , and  $cc = 0A_{16}$ , then after execution of the instruction:

DEC \$0A,X

memory location  $010A_{16}$  will be altered to  $A4_{16}$ .



### DES — DECREMENT STACK POINTER



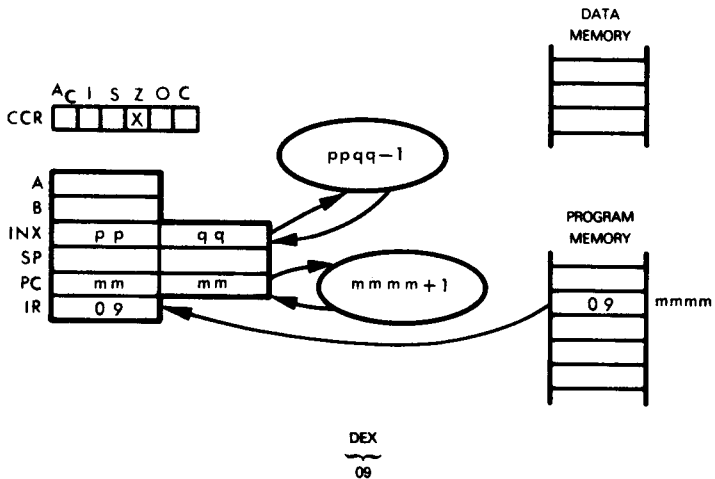
Subtract 1 from the 16-bit value in the Stack Pointer. No other registers or condition codes are affected.

Suppose the Stack Pointer contains  $2F7A_{16}$ . After the instruction:

DES

has executed, the Stack Pointer will contain  $2F79_{16}$ .

### DEX — DECREMENT INDEX REGISTER



Subtract 1 from the 16-bit value in the Index register. The Zero status is set to 1 if the 16-bit result is 0.

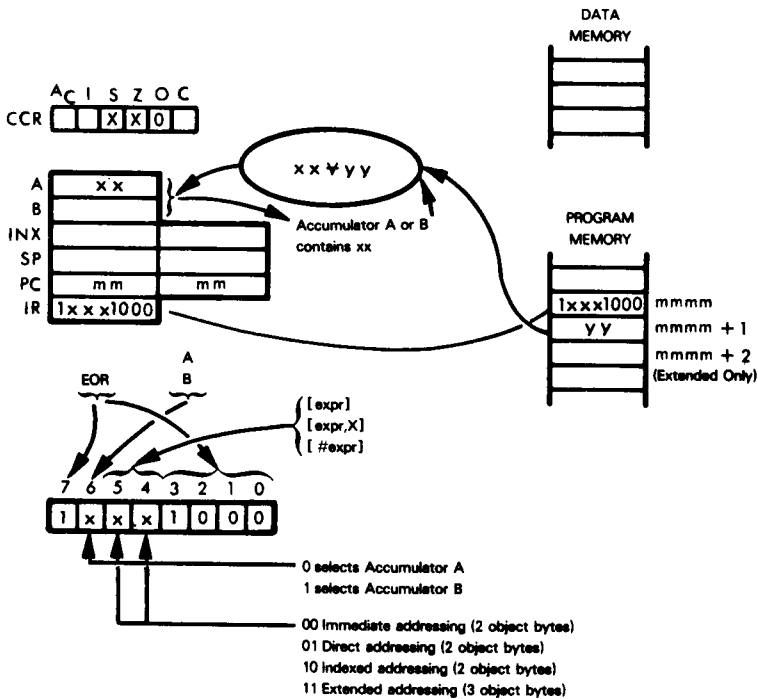
Suppose the Index register contains  $310C_{16}$ . After the instruction:

DEX

has executed, the Index register will contain  $310B_{16}$  and the Zero status will be set to 0.

### EOR — EXCLUSIVE-OR ACCUMULATOR WITH MEMORY

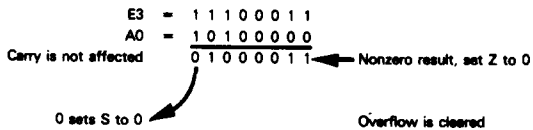
Exclusive-OR the contents of Accumulator A or B with the contents of a selected memory byte. This instruction offers the same memory addressing options as the ADC instruction, and will be illustrated using immediate addressing; consult the ADC instruction for the other addressing modes.



Exclusive-OR the contents of the specified Accumulator with the contents of the selected memory location, treating both operands as simple binary data. Suppose that  $xx = E3_{16}$  and  $yy = A0_{16}$ . After the instruction:

EOR A # $\$A0$

has executed, Accumulator A will contain  $43_{16}$ .

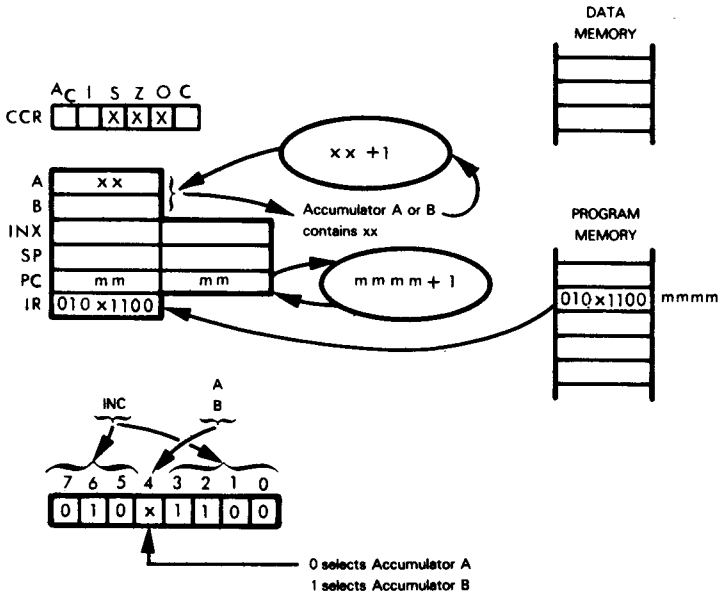


EOR is used to test for changes in bit status.

### INC — INCREMENT ACCUMULATOR OR MEMORY

This instruction increments the specified Accumulator or selected memory byte.

First, consider incrementing an Accumulator:



Add 1 to the selected Accumulator. Suppose that  $xx = 3A_{16}$ . After the instruction:

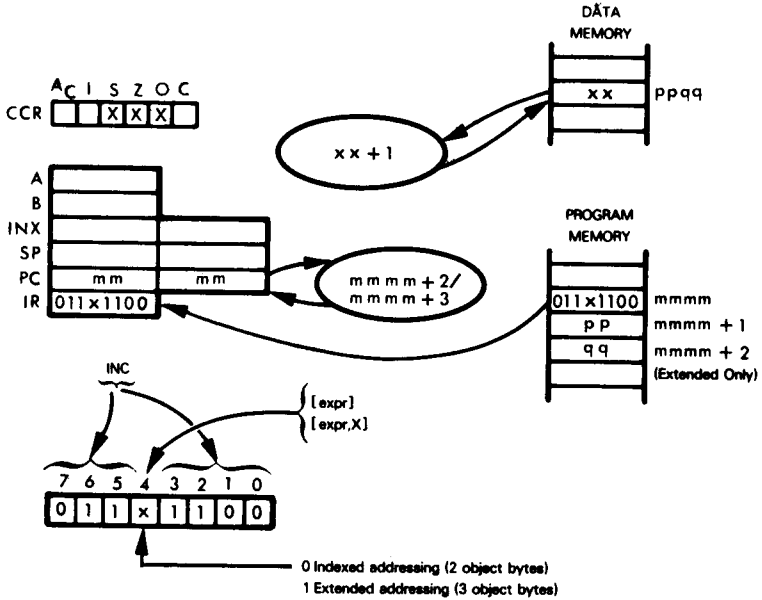
INC A

has executed, Accumulator A will contain  $3B_{16}$ .



The INC instruction also offers two memory addressing modes:

- 1) Extended
- 2) Indexed



Increment the selected memory byte.

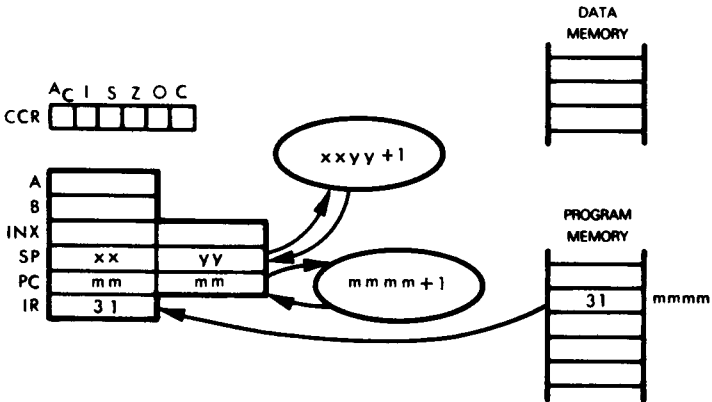
If  $pp = 01_{16}$ ,  $qq = A2_{16}$  and  $xx = C0_{16}$ , then after executing an:

`INC     $01A2`

instruction, the contents of memory location  $01A2_{16}$  will be incremented to  $C1_{16}$ .

The INC instruction can be used to provide a counter in a variety of applications, e.g., counting the occurrences of an event or as an iterative counter which specifies the number of times a task is to be performed.

### INS — INCREMENT STACK POINTER



**3-58** 6800 Assembly Language Programming

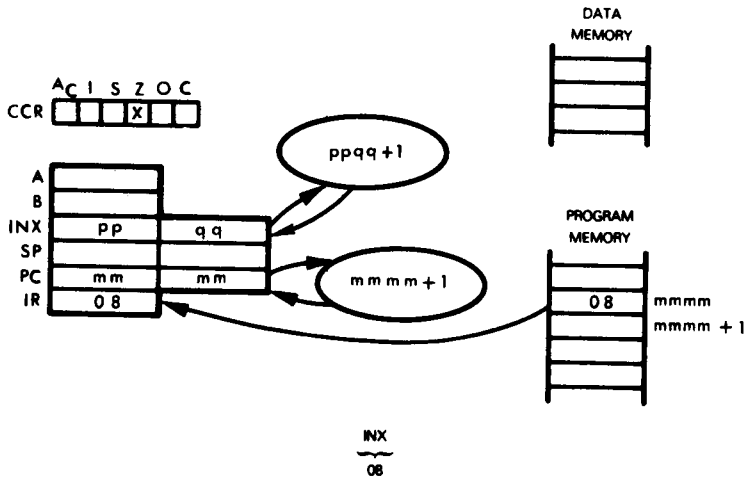
Add 1 to the 16-bit value in the Stack Pointer. No other registers or condition codes are affected.

Suppose the Stack Pointer contains  $2F7A_{16}$ . After the instruction:

INS

has executed, the Stack Pointer will contain  $2F7B_{16}$ .

**INX — INCREMENT INDEX REGISTER**



Add 1 to the 16-bit value in the Index register. The Zero status is set to 1 if the 16-bit result is 0.

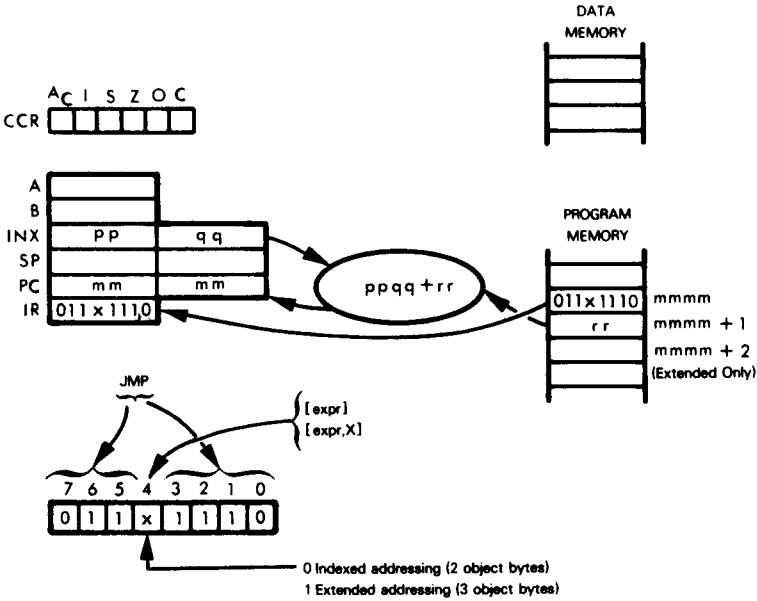
Suppose the Index register contains  $310C_{16}$ . After the instruction:

INX

has executed, the Index register will contain  $310D_{16}$ .

### JMP — JUMP VIA INDEXED OR EXTENDED ADDRESSING

This instruction will be illustrated using indexed addressing.



Jump to the instruction specified by the operand by loading the address of the selected memory byte into the Program Counter.

In the following instruction sequence:

```

LDX    #JPTBL
JMP    2,X
-
-
-
JPTBL  BRA    NEWDATA
        BRA    PROCESSDATA
        BRA    FLAGDATA
    
```

If the Index register contains the address of JPTBL, then the JMP instruction will perform an indexed jump relative to JPTBL. In this case, the instruction executed following the:

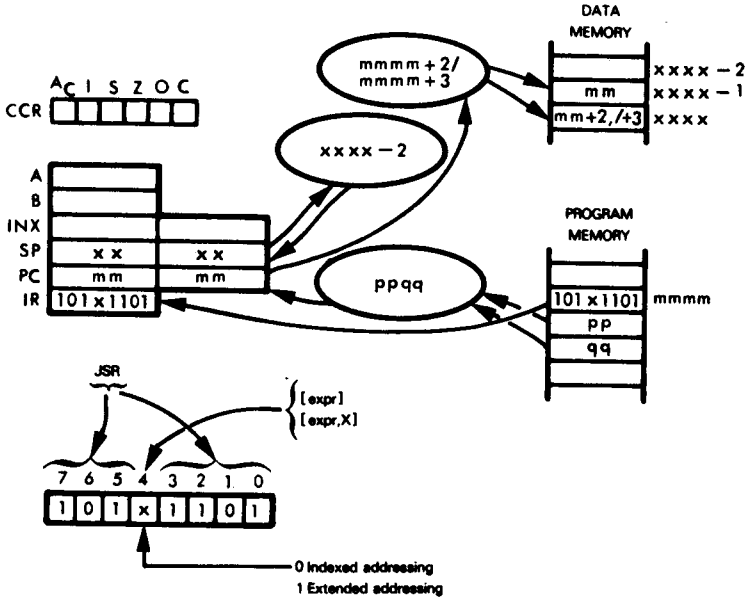
```
JMP    2,X
```

instruction would be the BRA PROCESSDATA instruction.

More frequently, the JMP instruction uses the extended addressing mode. In this case, the second byte of the instruction is loaded into the high byte of the Program Counter, and the third byte of the instruction is loaded into the low byte of the Program Counter. Instruction execution continues from this address.

### JSR — JUMP TO SUBROUTINE USING INDEXED OR EXTENDED ADDRESSING

This instruction will be illustrated using extended addressing.



The Program Counter is incremented by 3 (if extended addressing is used), or 2 (if indexed addressing is used), and then is pushed onto the stack. The Stack Pointer is adjusted to point to the next empty location in the stack. (These functions are detailed in the description of the BSR instruction.) The address of the selected memory byte is then stored into the Program Counter. Execution continues from this point.

Consider this instruction sequence:

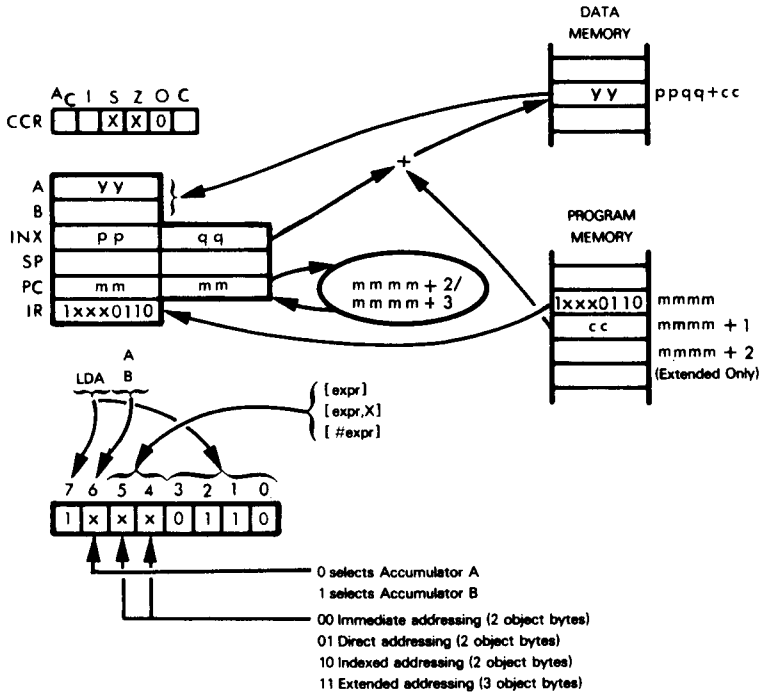
```

JSR    SUBR
AND    #$7F
.
.
SUBR   ABA
    
```

After the JSR instruction has executed, the address of the AND instruction will be saved at the top of the stack. The ABA instruction will be the next instruction executed.

### LDA — LOAD ACCUMULATOR FROM MEMORY

Load the contents of the selected memory byte into the specified Accumulator. This instruction offers the same memory addressing options as the ADC instruction and will be illustrated using indexed addressing; consult the ADC instruction for the other addressing modes.

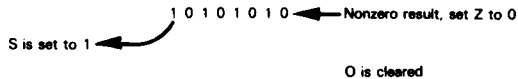


Load the contents of the selected memory byte into the specified Accumulator.

Suppose the Index register contains  $0800_{16}$  and  $cc = 43_{16}$ . If memory location  $0843_{16}$  contains  $AA_{16}$ , then after:

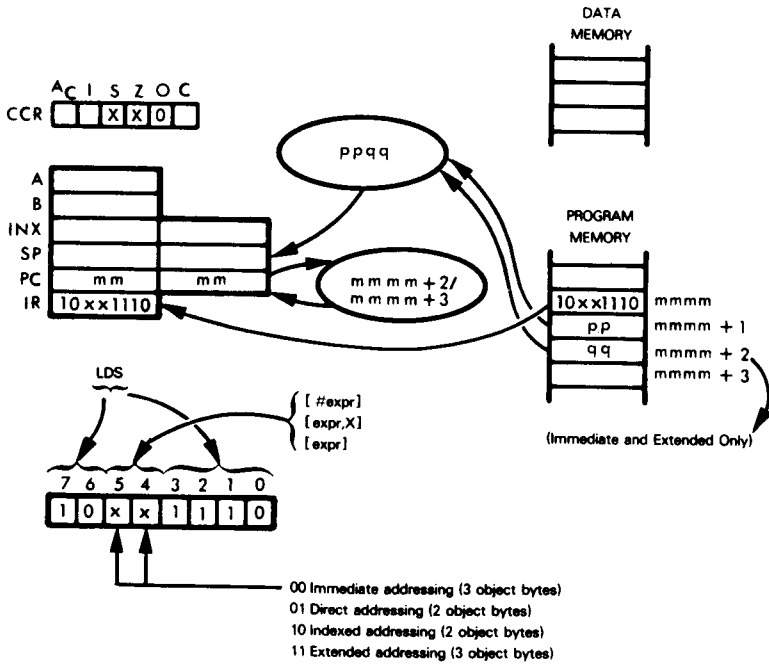
```
LDA A $43,X
```

has executed, Accumulator A will contain  $AA_{16}$ .



### LDS — LOAD STACK POINTER

Load the contents of two selected memory locations into the Stack Pointer. This instruction offers the same memory addressing options as the ADC instruction, and will be illustrated using immediate addressing; consult the discussion of the ADC instruction for examples of the other addressing modes.

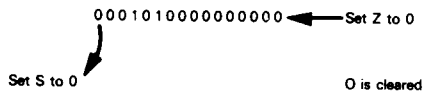


Load the contents of the selected memory byte into the high byte of the Stack Pointer. Load the contents of the memory byte immediately following the selected memory byte into the low byte of the Stack Pointer. Set the Sign status if the most significant bit of the Stack Pointer is set; set the Zero status if all 16 bits loaded are 0. Clear the Overflow flag.

Suppose  $pp = 14_{16}$  and  $qq = 00_{16}$ . After executing a:

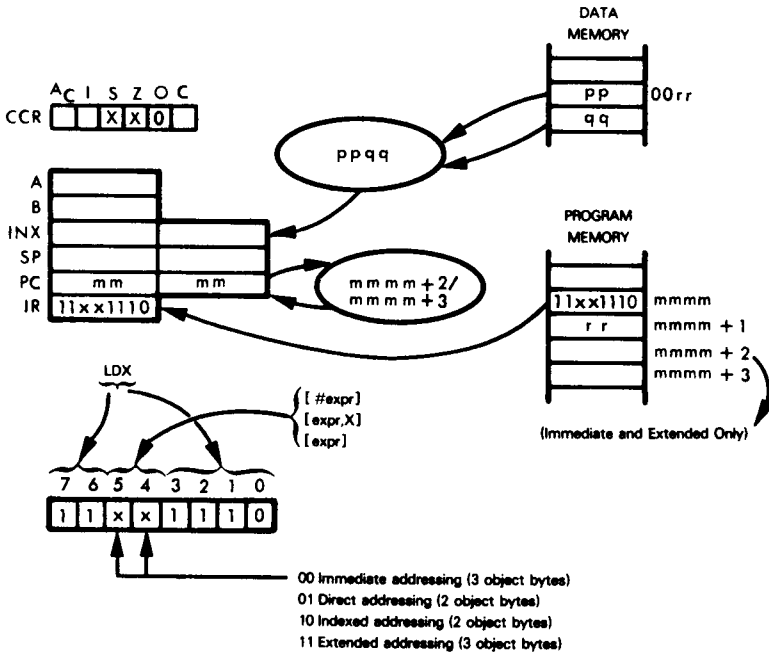
```
LDS    #1400
```

instruction, the Stack Pointer will contain  $1400_{16}$ .



### LDX — LOAD INDEX REGISTER

Load the contents of two selected memory locations into the Index register. This instruction offers the same memory addressing options as the ADC instruction, and will be illustrated using direct addressing; consult the ADC instruction for the other addressing modes.

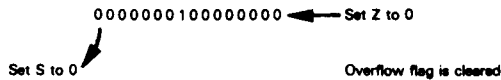


Load the contents of the selected memory byte into the high byte of the Index register. Load the contents of the memory byte immediately following the selected memory byte into the low byte of the Index register. Set the Sign status if the most significant bit of the Index register is set. Set the Zero status if all 16 bits of the Index register are set to 0. The Overflow status is cleared to 0.

Suppose that  $rr = 90_{16}$ ,  $pp = 01_{16}$  and  $qq = 00_{16}$ . Executing the:

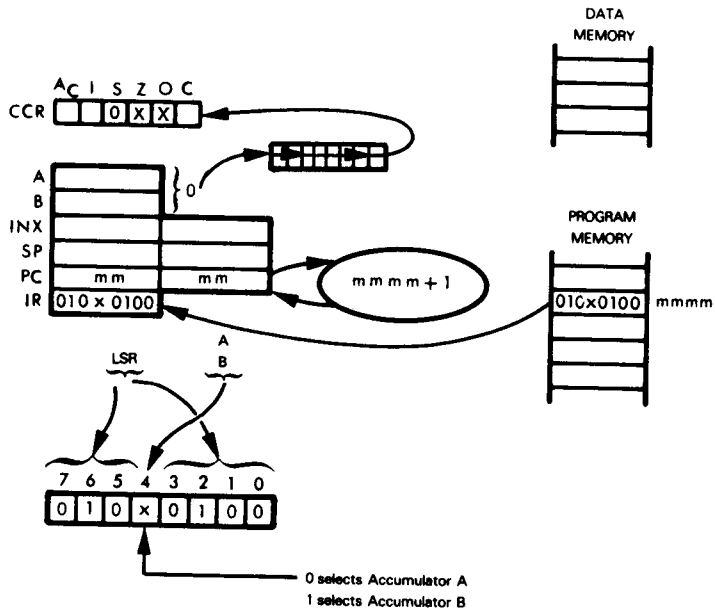
```
LDX    $90
```

instruction will load  $0100_{16}$  into the Index register.



## LSR — LOGICAL RIGHT SHIFT OF ACCUMULATOR OR MEMORY

This instruction performs a one-bit logical right shift of the specified Accumulator or the selected memory byte.

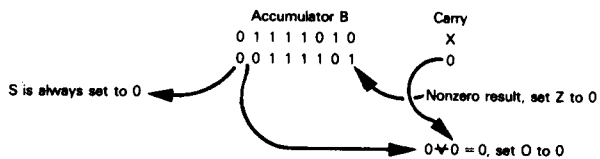


Shift the selected Accumulator's contents right one bit. Shift the low order bit into the Carry status. Shift a 0 into the high order bit.

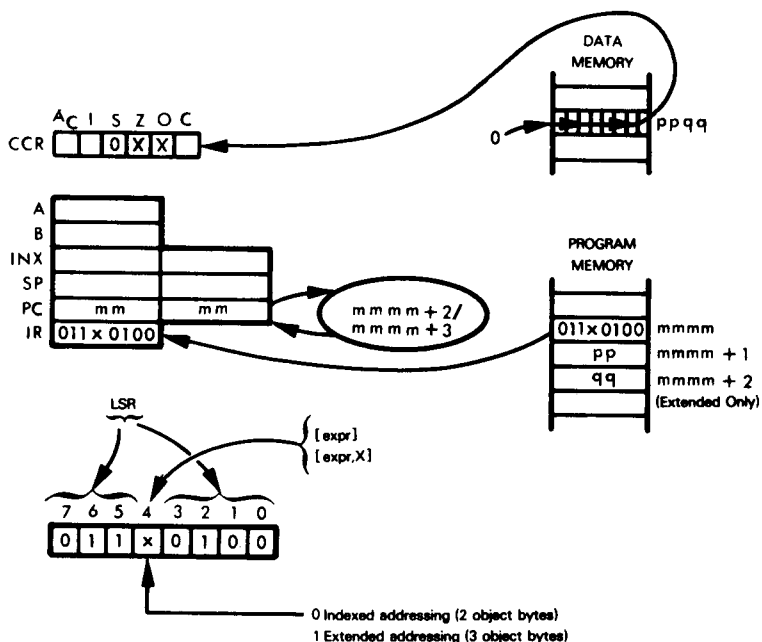
Suppose Accumulator B contains  $7A_{16}$ . After the:

LSR B

instruction is executed, Accumulator B will contain  $3D$  and the Carry status will be set to 0.



Two methods of memory addressing are available with the LSR instruction, Indexed and Extended.

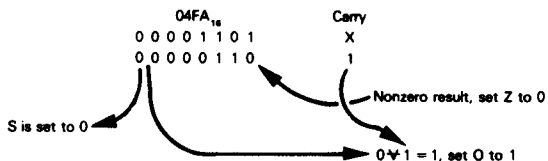


Logically shift the contents of the selected memory location right by one bit.

Suppose  $pp = 04_{16}$ ,  $qq = FA_{16}$  and the contents of memory location  $04FA_{16}$  are  $0D_{16}$ . After the instruction:

```
LSR    $04FA
```

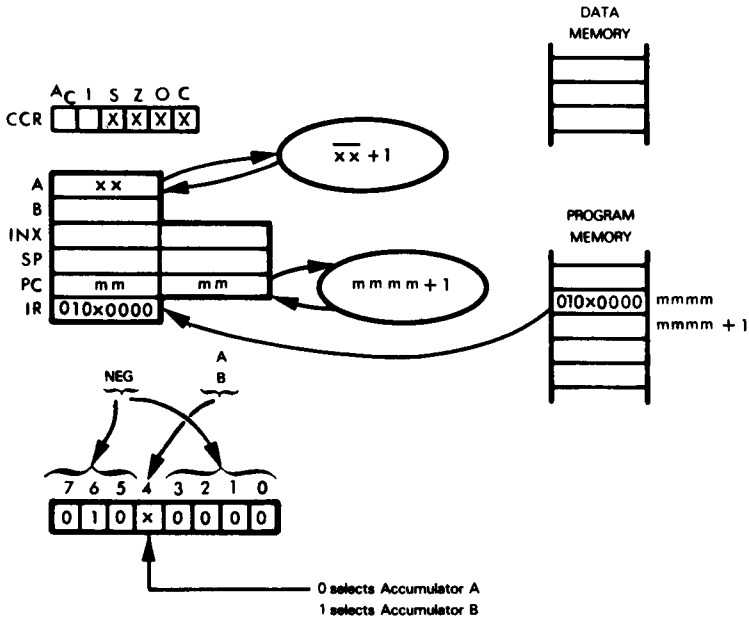
is executed, the Carry status will be 1 and the contents of location  $04FA_{16}$  will be  $06_{16}$ .



### NEG — NEGATE ACCUMULATOR OR MEMORY

This instruction negates the specified Accumulator or the selected memory byte by replacing the Accumulator or memory byte with the twos complement of its contents.

First, consider negating an Accumulator:

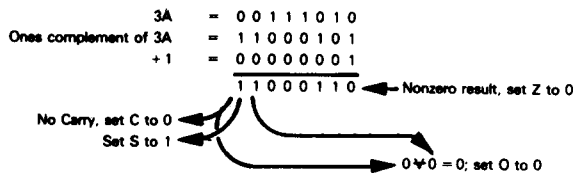


Negate the contents of the specified Accumulator by taking the ones complement of the contents of the specified Accumulator and adding one to the result.

Suppose Accumulator A contains  $3A_{16}$ . After the instruction:

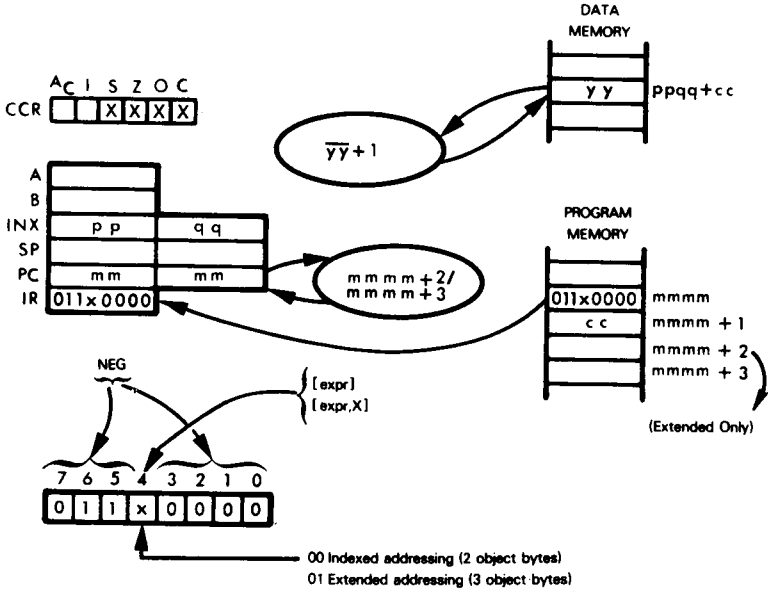
NEG A

is executed, Accumulator A will contain  $C6_{16}$ .



The NEG instruction also offers two memory addressing options:

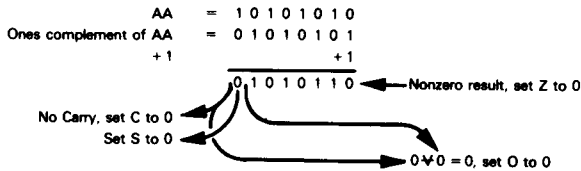
- 1) Extended
- 2) Indexed



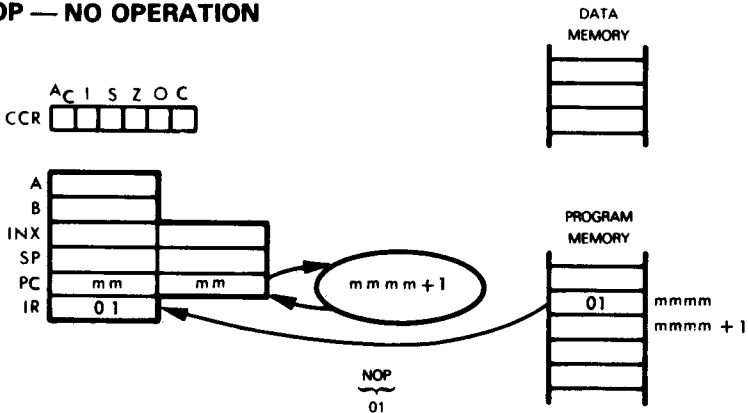
Suppose the contents of the Index register are  $0100_{16}$ ,  $cc = 1D_{16}$  and memory location  $011D_{16}$  contains  $AA_{16}$ . After the instruction:

```
NEG    $1D,X
```

is executed, memory location  $011D_{16}$  will be altered to  $56_{16}$ .



**NOP — NO OPERATION**



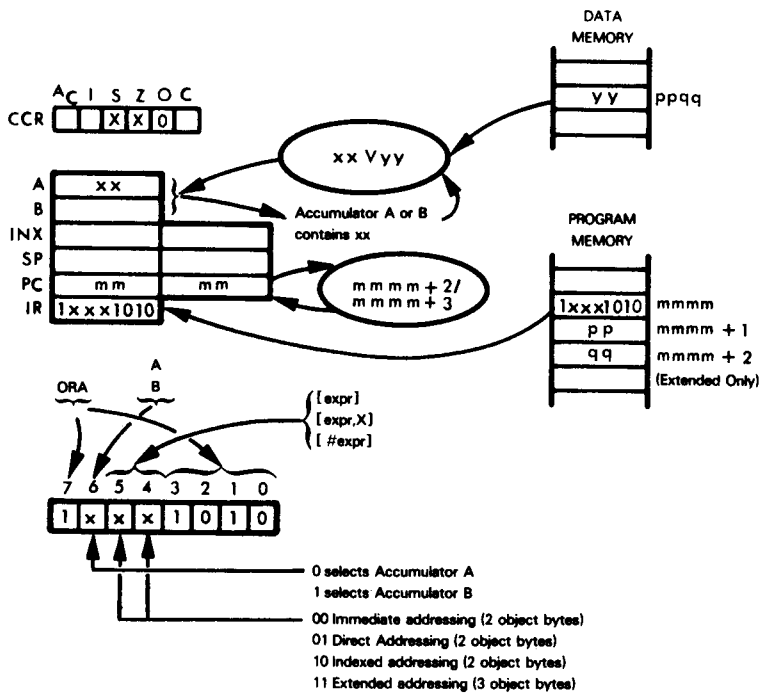
This is a one-byte instruction which performs no operation except that the Program Counter is incremented. This instruction is present for two reasons:

- 1) The NOP instruction allows you to give a label to an object program byte:  
`HERE NOP`
- 2) To fine tune delay times. Each NOP instruction adds two cycles to a delay.

NOP is not a very useful or frequently used instruction.

### ORA — OR ACCUMULATOR WITH MEMORY

This instruction ORs the contents of Accumulator A or B with the contents of the selected memory byte. This instruction offers the same memory addressing options as the ADC instruction, and will be illustrated using extended addressing; consult the ADC instruction for examples of the other addressing modes.

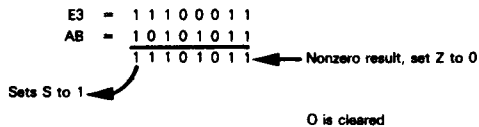


OR the contents of the specified Accumulator with the contents of the selected memory location, treating both operands as simple binary data.

Suppose that  $pp = 16_{16}$ ,  $qq = 23_{16}$ ,  $xx = E3_{16}$  and  $yy = AB_{16}$ . After the instruction:

`ORA A $1623`

has executed, Accumulator A will contain  $EB_{16}$ .

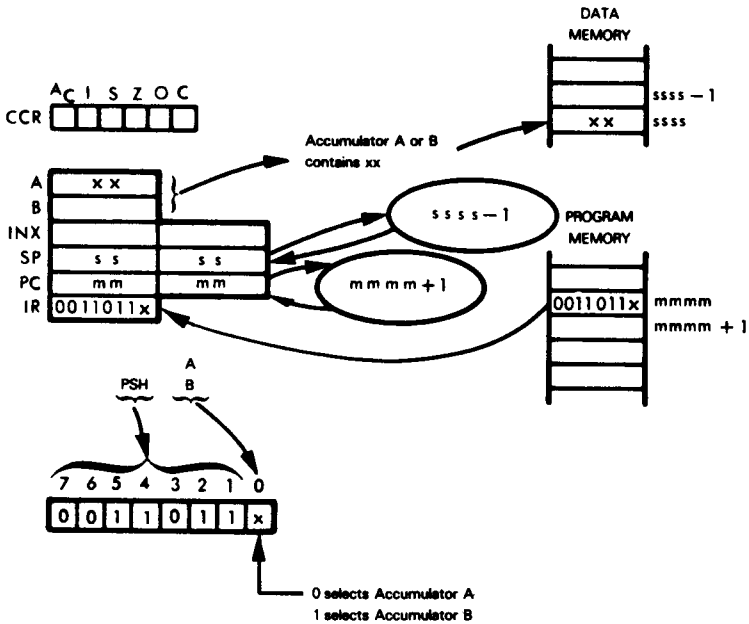


This is a logical instruction; it is often used to turn bits "on". For example, the instruction:

```
ORA A #80
```

will unconditionally set the high order bit in Accumulator A to 1.

**PSH — PUSH ACCUMULATOR ONTO STACK**



Push the contents of the selected Accumulator onto the top of the stack. The Stack Pointer is then decremented by 1. No other registers or statuses are affected.

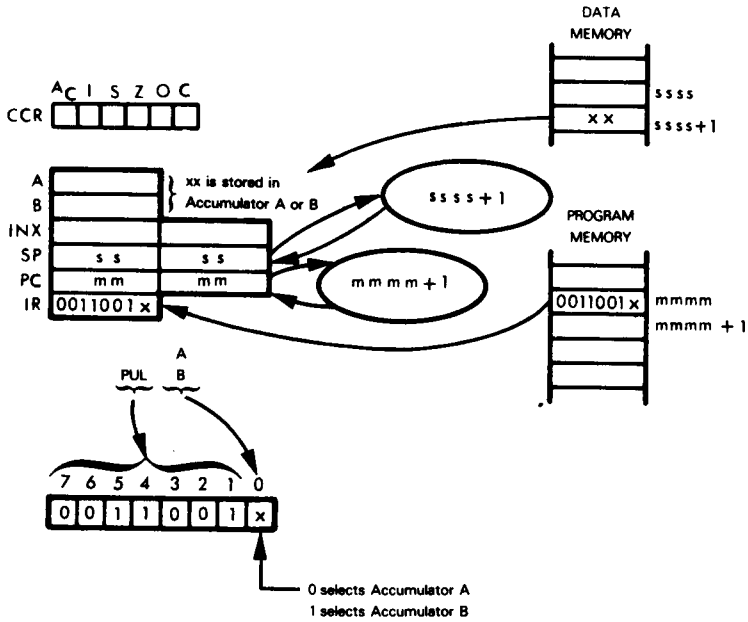
Suppose Accumulator A contains  $3A_{16}$  and the Stack Pointer contains  $2AF7_{16}$ . After the instruction:

```
PSH A
```

has executed,  $3A_{16}$  will have been stored into location  $2AF7_{16}$  and the Stack Pointer will be altered to  $2AF6_{16}$ .

The PSH instruction is most frequently used to save Accumulator contents, for example, before servicing an interrupt.

**PUL — PULL DATA FROM STACK**



Increment the Stack Pointer, then pull the top stack byte into the selected Accumulator. No other registers or statuses are affected.

Suppose the Stack Pointer contains  $2AF6_{16}$  and location  $2AF7_{16}$  contains  $CE_{16}$ . After the instruction:

PUL B

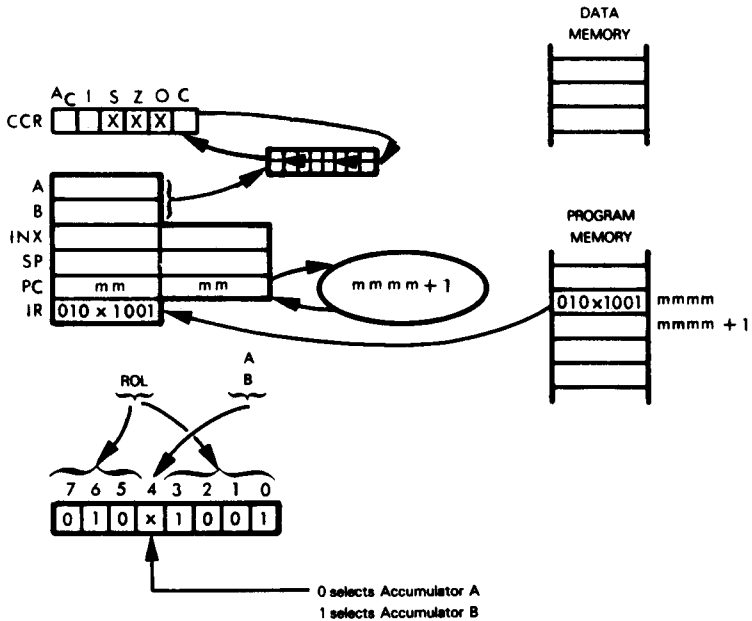
has executed, Accumulator B will contain  $CE_{16}$  and the Stack Pointer will contain  $2AF7_{16}$ .

The PUL instruction is most frequently used to restore Accumulator contents that have been saved on the stack, for example, after servicing an interrupt.

### ROL — ROTATE ACCUMULATOR OR MEMORY LEFT THROUGH CARRY

This instruction rotates the specified Accumulator or the selected memory byte one bit to the left through the Carry.

First, consider rotating an Accumulator:

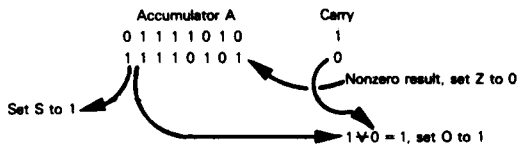


Rotate the selected Accumulator's contents left one bit through the Carry status.

Suppose Accumulator A contains  $7A_{16}$  and the Carry status is set to 1. After the:

ROL A

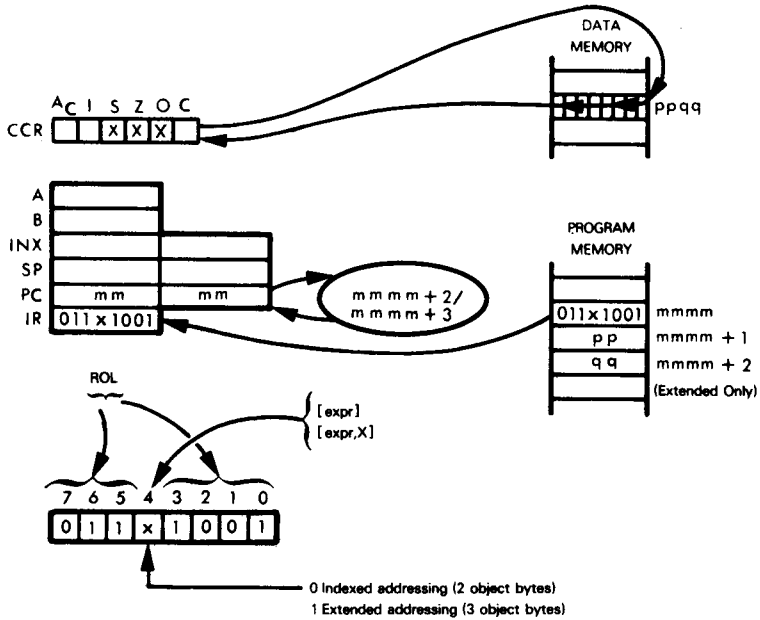
instruction is executed, Accumulator A will contain  $F5_{16}$  and the Carry status will be reset to 0.



### 3-72 6800 Assembly Language Programming

The ROL instruction provides two kinds of memory addressing:

- 1) Extended
- 2) Indexed

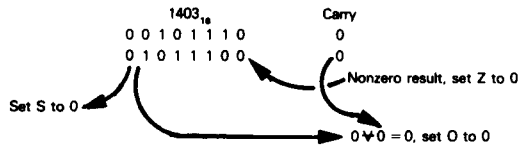


Rotate the selected memory byte left one bit through the Carry status.

Suppose  $pp = 14_{16}$ ,  $qq = 03_{16}$ , the contents of memory location  $1403_{16}$  are  $2E_{16}$  and the Carry status is 0. After executing a:

```
ROL    $1403
```

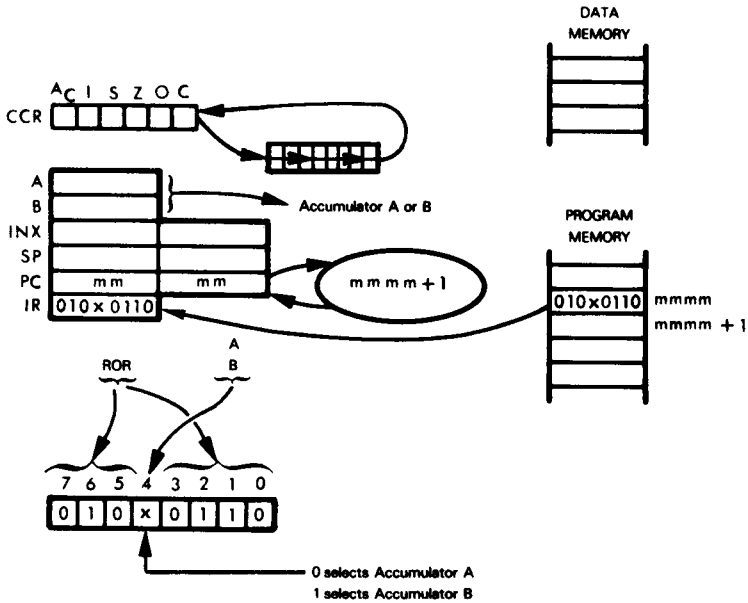
instruction, memory location  $1403_{16}$ 's contents will be  $5C_{16}$ .



### ROR — ROTATE ACCUMULATOR OR MEMORY RIGHT THROUGH CARRY

This instruction rotates a specified Accumulator or a selected memory byte one bit to the right through the Carry.

First, consider rotating an Accumulator:

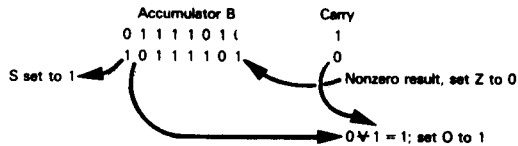


Rotate the selected Accumulator's contents right one bit through the Carry status.

Suppose Accumulator B contains  $7A_{16}$  and the Carry status is set to 1. Execution of the:

ROR B

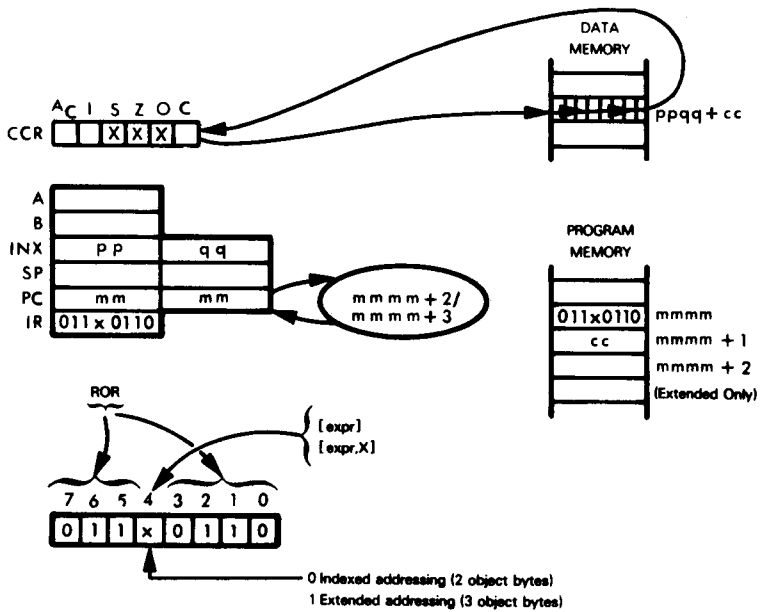
instruction will produce these results: Accumulator B will contain  $BD_{16}$  and the Carry status will be 0.



### 3-74 6800 Assembly Language Programming

The ROR instruction provides two kinds of memory addressing:

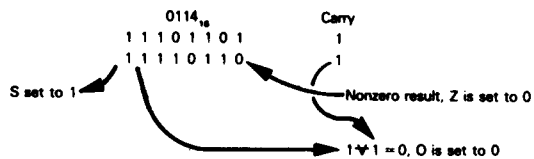
- 1) Extended
- 2) Indexed



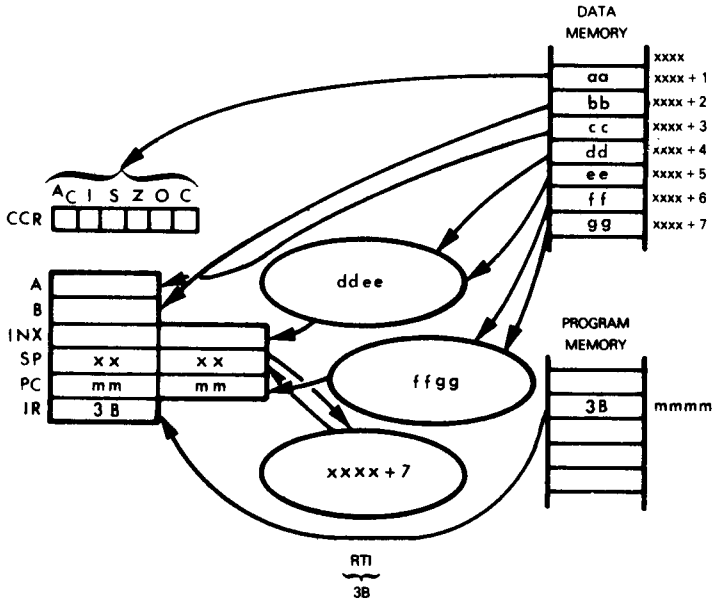
Suppose that  $cc = 14_{16}$ , the contents of the Index register are  $0100_{16}$ , the contents of memory location  $0114_{16}$  are  $ED_{16}$  and the Carry status is 1. After executing a:

```
ROR    $14,X
```

instruction, the Carry will be 1 and memory location  $0114_{16}$  will contain  $F6_{16}$ .



### RTI — RETURN FROM INTERRUPT



The Condition Code register, the Accumulators, the Index register and the Program Counter all have data values pulled into them off the stack. The registers and the corresponding locations on the stack which are pulled into the registers are as follows:

| Memory Location<br>(SP is xxxx at instruction execution start) | Register                     |
|----------------------------------------------------------------|------------------------------|
| xxxx + 1 (bits 5 - 0)                                          | Condition Code register      |
| xxxx + 2                                                       | Accumulator B                |
| xxxx + 3                                                       | Accumulator A                |
| xxxx + 4                                                       | High byte of Index register  |
| xxxx + 5                                                       | Low byte of Index register   |
| xxxx + 6                                                       | High byte of Program Counter |
| xxxx + 7                                                       | Low byte of Program Counter  |

Execution continues from the address pulled into the Program Counter.

Suppose the Stack Pointer contains  $100F_{16}$ ,  $aa = CB_{16}$ ,  $bb = 14_{16}$ ,  $cc = 00_{16}$ ,  $dd = 01_{16}$ ,  $ee = 00_{16}$ ,  $ff = 09_{16}$  and  $qq = A2_{16}$ . After the instruction:

RTI

has executed, Accumulator A will be  $00_{16}$ , Accumulator B will contain  $14_{16}$ , the Index register contents will equal  $0100_{16}$ , the Stack Pointer will contain  $1016_{16}$ , and the Program Counter contents will be  $09A2_{16}$  (this is the address from which instruction execution will proceed). In addition, the Condition Code register will appear as follows:

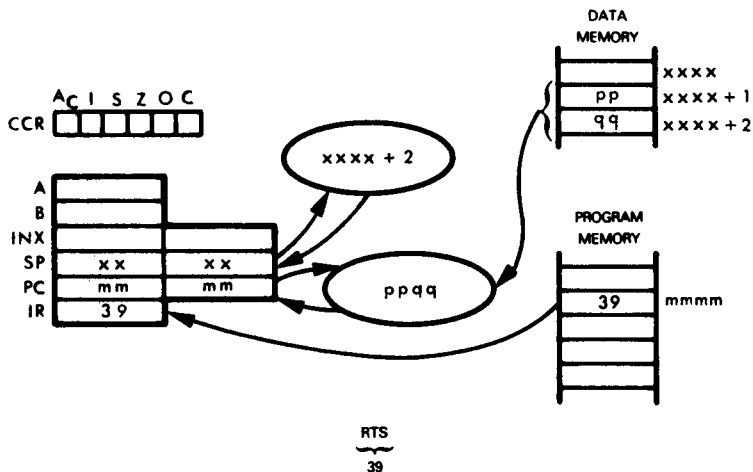
CB = 11 

|   |   |   |   |   |   |   |
|---|---|---|---|---|---|---|
| A | C | I | S | Z | O | C |
| 0 | 0 | 1 | 0 | 1 | 1 | 1 |

### 3-76 6800 Assembly Language Programming

Note that the Interrupt Mask bit will be set or reset depending on its value at the time the CCR was pushed.

#### RTS — RETURN FROM SUBROUTINE

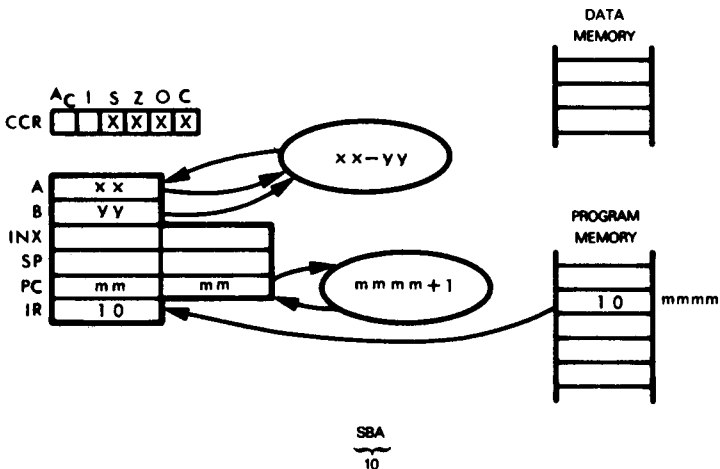


Move the contents of the top two stack bytes to the Program Counter; these two bytes provide the address of the next instruction to be executed. Previous Program Counter contents are lost. Increment the Stack Pointer by 2 to address the new top of stack.

Every subroutine must contain at least one Return instruction; this is the last instruction executed within the subroutine and causes execution to return to the calling program.

For an illustrated description of the RTS instruction's execution see Chapter 5.

#### SBA — SUBTRACT ACCUMULATORS

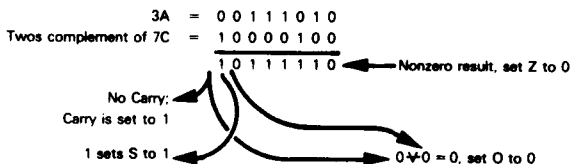


Subtract the contents of Accumulator B from the contents of Accumulator A.

Suppose  $xx = 3A_{16}$  and  $yy = 7C_{16}$ . After the instruction:

SBA

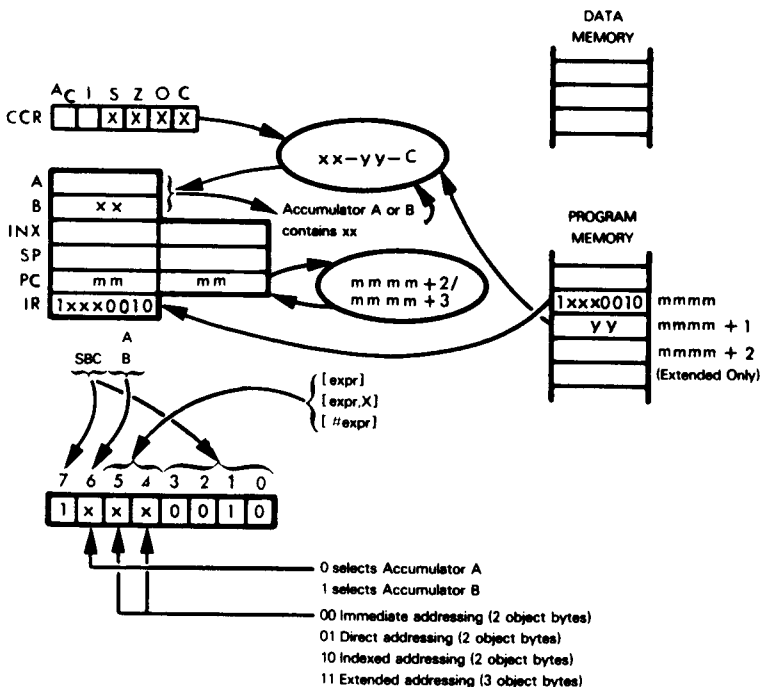
has executed, Accumulator A will contain  $BE_{16}$  and Accumulator B will contain  $7C_{16}$ .



Note that the resulting Carry is complemented.

### SBC — SUBTRACT MEMORY FROM ACCUMULATOR WITH BORROW

Subtract the contents of the selected memory byte and the contents of the Carry flag from the specified Accumulator. This instruction offers the same memory addressing options as the ADC instruction, and will be illustrated using immediate addressing; consult the ADC instruction for examples of the other available modes.



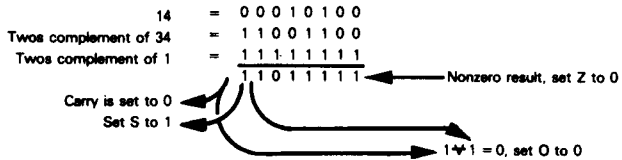
Subtract the contents of the selected memory byte, and the Carry status, from the specified Accumulator, treating all register contents as simple binary data.

### 3-78 6800 Assembly Language Programming

Suppose  $xx = 14_{16}$ ,  $yy = 34_{16}$  and  $C = 1$ . After executing a:

`SBC B #$34`

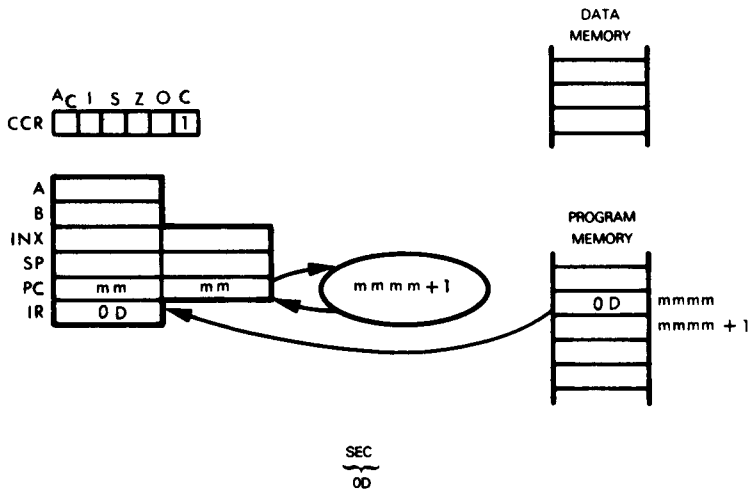
instruction, the contents of Accumulator B would be altered to  $DF_{16}$ .



Note that the resulting Carry is complemented.

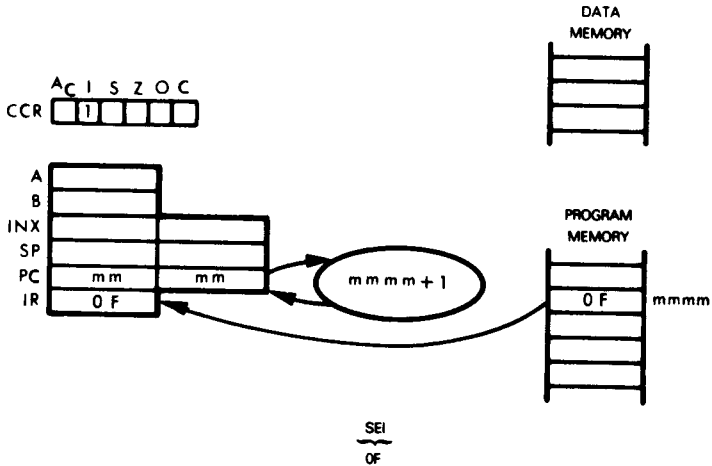
The SBC instruction is frequently used in multibyte subtraction, after the low order byte has been processed using the SUB instruction.

### SEC — SET CARRY



When the SEC instruction is executed, the Carry status is set to 1, regardless of its previous value. No other statuses or register contents are affected.

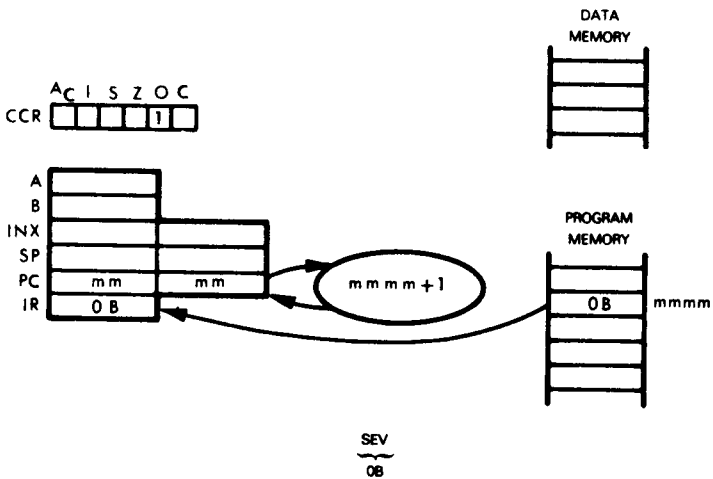
### SEI — SET INTERRUPT MASK



After this instruction has been executed, the microprocessor is inhibited from servicing an interrupt and will continue to execute instructions without responding to interrupts until the interrupt status is cleared. Non-maskable interrupts will be serviced regardless of the state of the Interrupt Mask bit.

With the exception of the Interrupt Mask bit in the CCR, no other registers or statuses are altered.

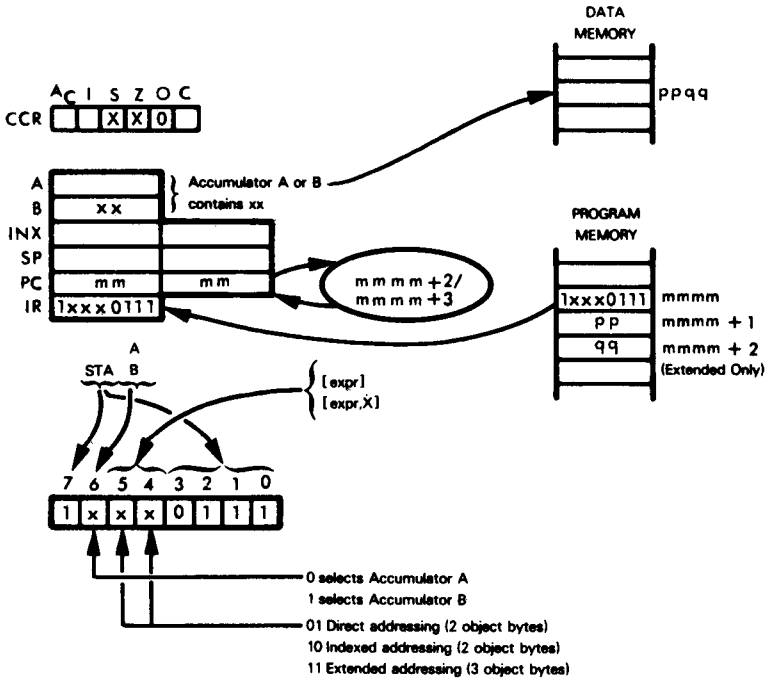
### SEV — SET OVERFLOW STATUS



When the SEV instruction is executed, the Overflow status is set to 1, regardless of its previous value. This instruction does not affect any other statuses or register contents.

### STA — STORE ACCUMULATOR IN MEMORY

Store the contents of the selected Accumulator into the specified memory location. This instruction offers the same memory addressing modes as the ADC instruction, with the exception that an immediate addressing mode is not available. This instruction will be illustrated using extended addressing: consult the ADC instruction for a discussion and example of indexed and direct addressing.



Store the specified Accumulator into memory.

Suppose  $xx = 63_{16}$ ,  $pp = 05_{16}$ ,  $qq = 3A_{16}$ . After the instruction:

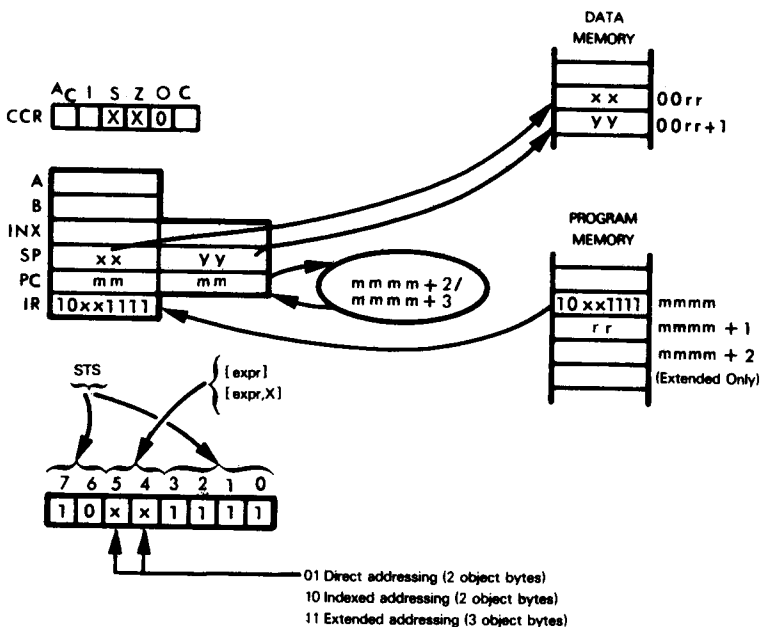
STA B \$053A

is executed, the contents of memory location  $053A_{16}$  will be  $63_{16}$ .

$63_{16} = 01100011$  ← Nonzero result, set Z to 0  
 Set S to 0 ← Overflow is cleared

### STS — STORE STACK POINTER

Store the contents of the Stack Pointer into two contiguous memory locations. Like the STA instruction, this instruction offers direct, indexed and extended addressing modes. This instruction will be illustrated using direct addressing. Consult the ADC instruction for a discussion of indexed and extended addressing modes.

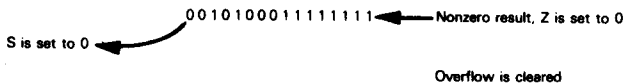


Store the high byte of the Stack Pointer into the selected memory byte. Store the low byte of the Stack Pointer into the memory byte immediately following the selected memory location.

Suppose the contents of the Stack Pointer are  $28F_{16}$  and  $rr = 80_{16}$ . After executing the:

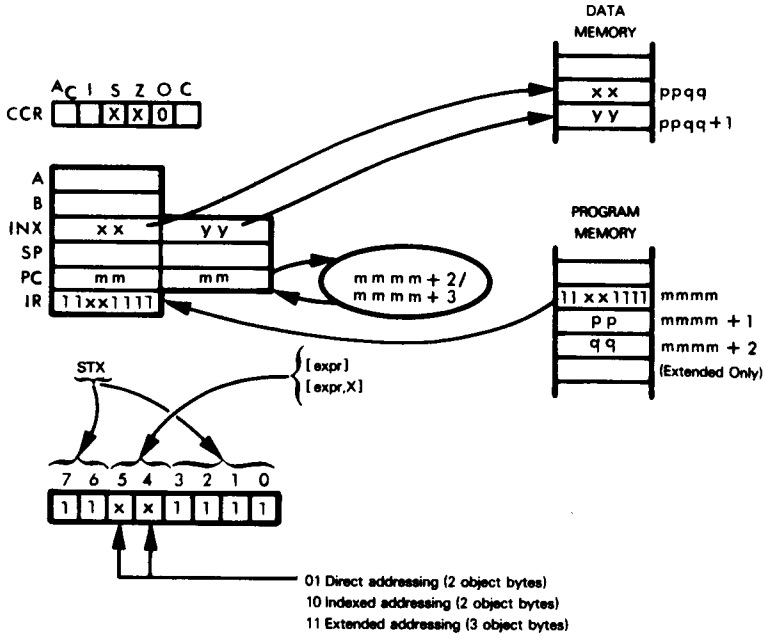
STS

instruction, memory location  $0080_{16}$  will contain  $28_{16}$  and memory location  $81_{16}$  will contain  $FF_{16}$ .



### STX — STORE INDEX REGISTER

Store the contents of the Index register into two contiguous memory locations. Like the STA instruction, this instruction does not offer immediate addressing, but it does offer the other three memory access methods: Direct, Indexed and Extended. This instruction will be illustrated using extended addressing; consult the ADC instruction for a discussion of direct and indexed addressing.

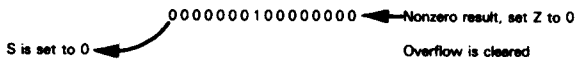


Store the high byte of the Index register into the selected memory byte. Store the low byte of the Index register into the memory byte immediately following the selected memory location.

Suppose the contents of the Index register are  $0100_{16}$ ,  $pp = 14_{16}$ , and  $qq = 30_{16}$ . After the:

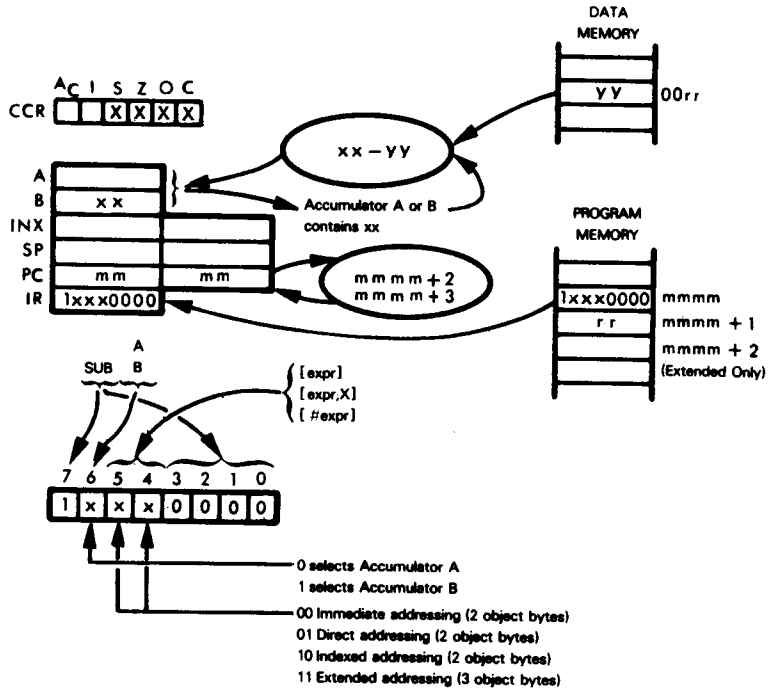
STX

instruction has executed, memory location  $1430_{16}$  will contain  $01_{16}$ , and  $1431_{16}$  will contain  $00_{16}$ .



### SUB — SUBTRACT MEMORY FROM ACCUMULATOR

Subtract the contents of the selected memory byte from the contents of Accumulator A or B. This instruction offers the same memory addressing options as the ADC instruction, and will be illustrated using direct addressing; consult the description of the ADC instruction for examples of the other addressing modes.

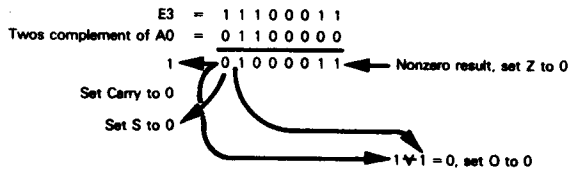


Subtract the contents of the selected memory byte from the contents of the specified Accumulator, treating both operands as simple binary data.

Suppose  $xx = E3_{16}$ ,  $yy = A0_{16}$ , and  $rr = 31_{16}$ . After executing the instruction:

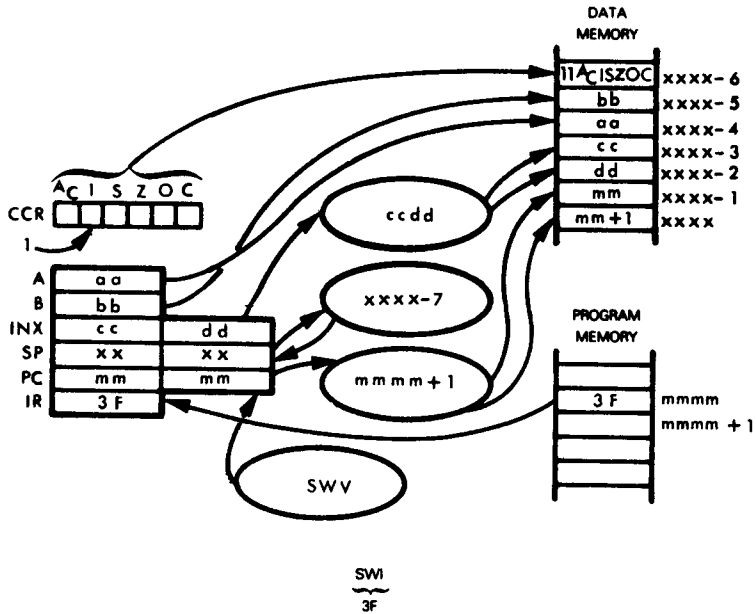
```
SUB B $31
```

the contents of Accumulator B will be  $43_{16}$ .



The SUB instruction is used to perform single byte subtractions, or for the low order byte in multibyte subtractions.

### SWI — SOFTWARE INTERRUPT



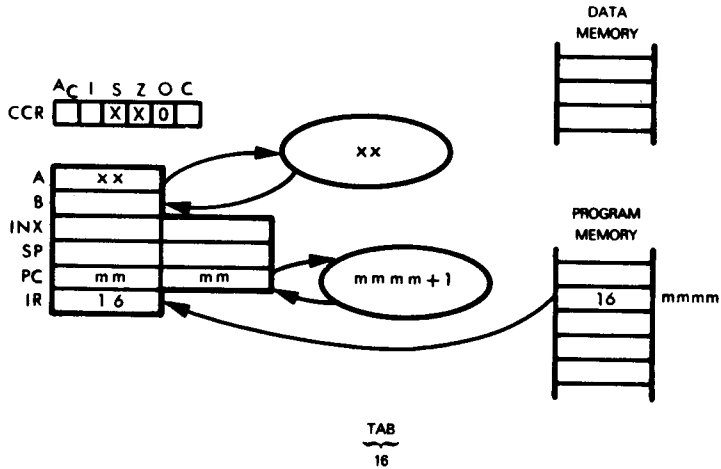
The Program Counter is incremented by one, then the Program Counter, Index register, Accumulators A and B, and the Condition Code register are all pushed onto the stack. The registers and the corresponding memory locations into which they are pushed are shown below:

| Memory Location | Register                     |
|-----------------|------------------------------|
| xxxx            | Low byte of Program Counter  |
| xxxx-1          | High byte of Program Counter |
| xxxx-2          | Low byte of Index register   |
| xxxx-3          | High byte of Index register  |
| xxxx-4          | Accumulator A                |
| xxxx-5          | Accumulator B                |
| xxxx-6          | Condition Code register      |

The Interrupt Mask bit is then set to 1. This disables the MC6800's interrupt service ability, i.e., the processor will not respond to an interrupt from a peripheral device. The contents of the SWV (the Software Interrupt Pointer) are then loaded into the Program Counter.

The SWI instruction can be used for a variety of functions. The address of the entry point for a group of system subroutines or the address of the entry point for a disk operating system or the address of any software package could be inserted in the Software Interrupt Pointer. By executing an SWI instruction, any of these various software systems could be entered. For further information on the SWI instruction, consult Chapter 6 of "An Introduction To Microcomputers: Volume II — Some Real Products".

**TAB — MOVE FROM ACCUMULATOR A TO ACCUMULATOR B**

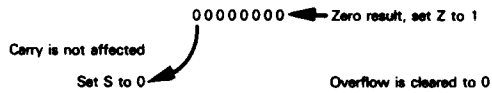


Move the contents of Accumulator A to Accumulator B. Set the Sign and Zero statuses accordingly. Clear the Overflow status.

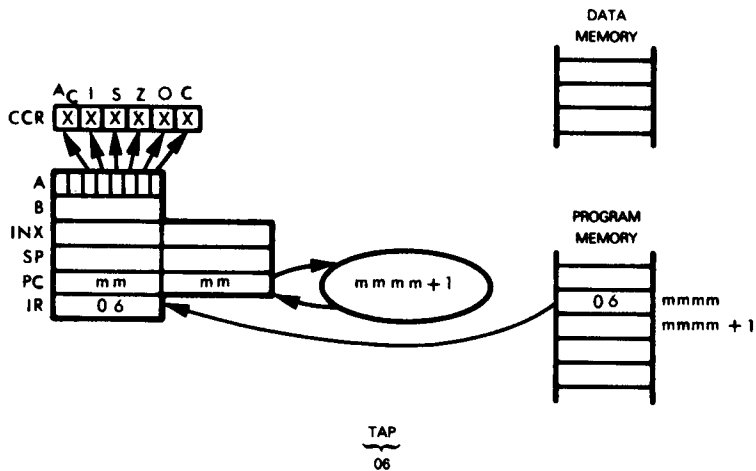
Suppose  $xx = 00_{16}$ . After executing the:

TAB

instruction, Accumulators A and B will contain 0.



**TAP — MOVE FROM ACCUMULATOR A TO CCR**



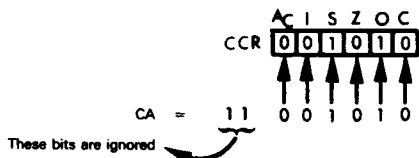
**3-86** 6800 Assembly Language Programming

Move bits 0 - 5 in Accumulator A into the Condition Code register.

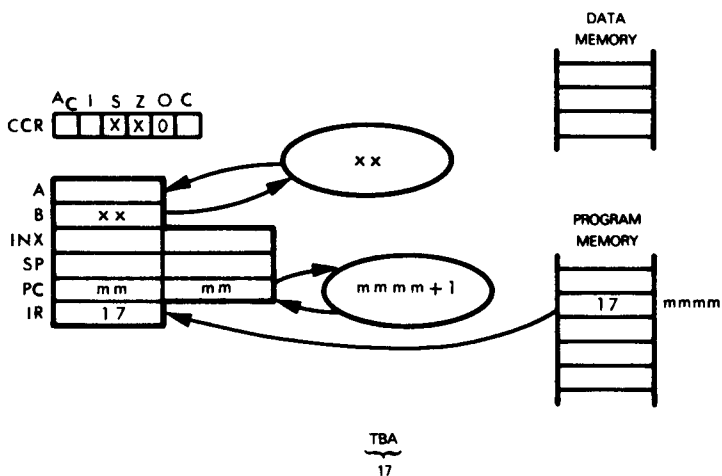
Suppose Accumulator A contains  $CA_{16}$ . After executing the:

TAP

instruction, the CCR will be set as follows:



**TBA — MOVE FROM ACCUMULATOR B TO ACCUMULATOR A**

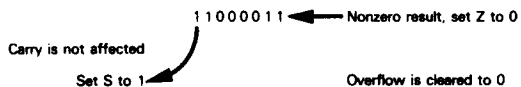


Move the contents of Accumulator B to Accumulator A. Set the Sign and Zero statuses accordingly. Clear the Overflow status.

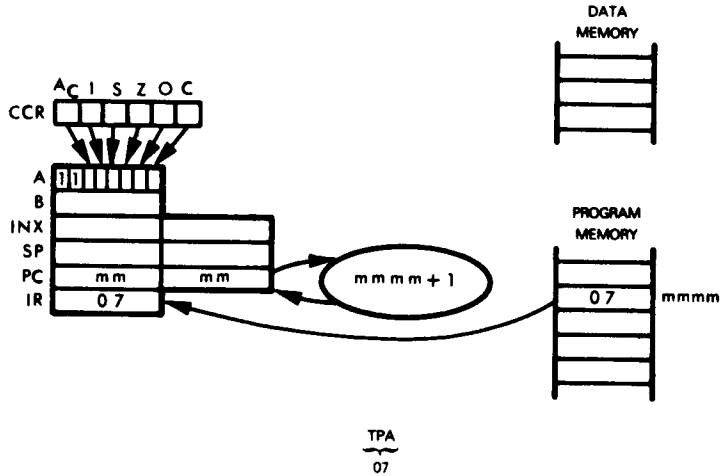
Suppose  $xx = C3_{16}$ . After executing the:

TBA

instruction, Accumulators A and B will contain  $C3_{16}$ .



**TPA — MOVE CCR TO ACCUMULATOR A**



Move the contents of the CCR into Accumulator A, bits 0 - 5. Set Bits 6 and 7 of Accumulator A to 1.

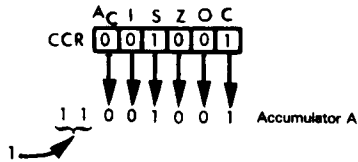
Suppose the CCR was in the following state:

S and C are 1.  
A<sub>C</sub>, I, Z and O are 0.

After executing the:

TPA

instruction, Accumulator A will contain C9<sub>16</sub>.

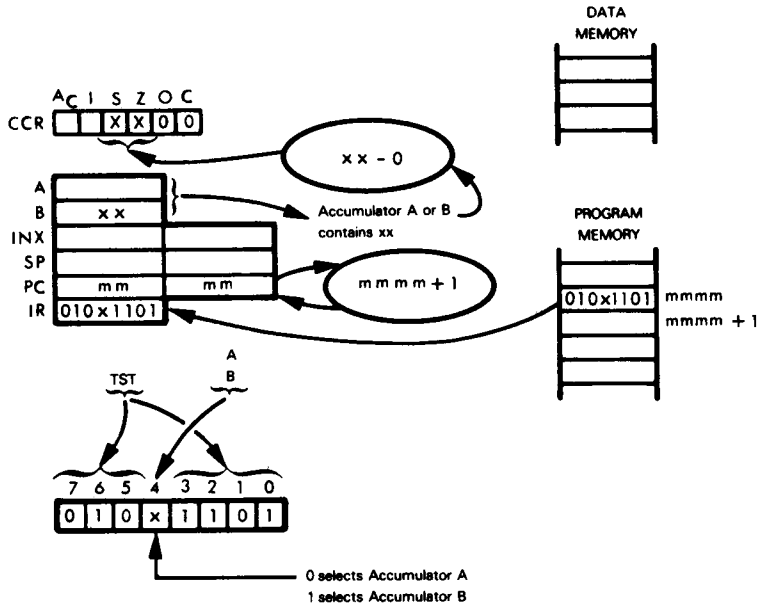


Accumulator A is the only register affected. No statuses are altered.

### TST — TEST THE CONTENTS OF ACCUMULATOR OR MEMORY

Set the Sign and Zero flags depending on the contents of the specified Accumulator or the selected memory byte.

First, consider testing an Accumulator:

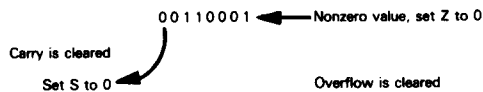


Set the Sign and Zero flags depending on the result of subtracting  $00_{16}$  from Accumulator A or B. Clear the Overflow and Carry flags.

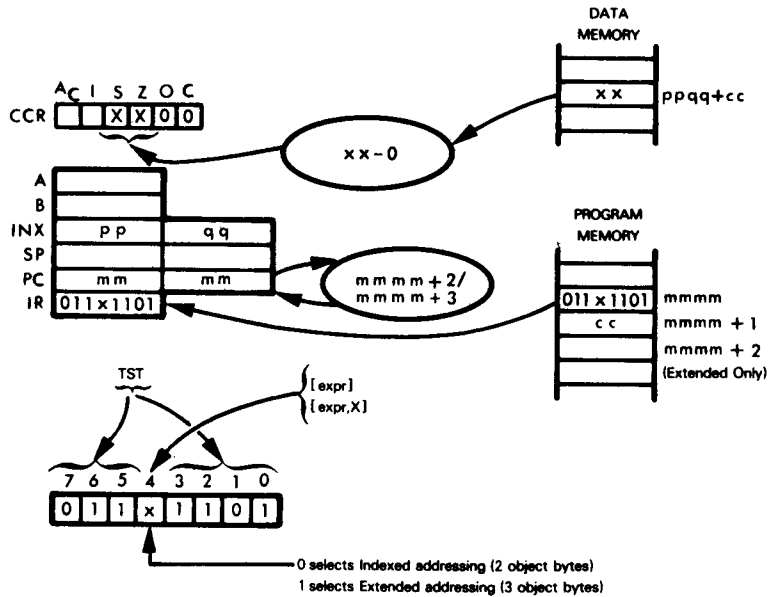
Suppose  $xx = 31_{16}$ . After executing a:

TST B

instruction, the Sign, Zero, Overflow and Carry statuses are 0.



TST offers two memory access methods: indexed and extended.

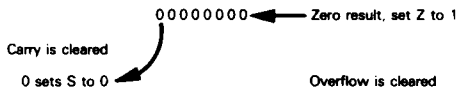


Test the selected memory byte by subtracting  $00_{16}$  from its contents. Set the Sign and Zero flags accordingly, and clear the Overflow and Carry statuses.

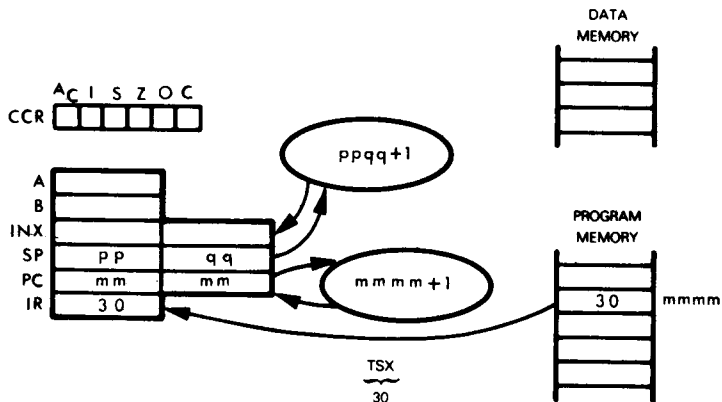
Suppose the Index register contains  $0100_{16}$ ,  $cc = 02_{16}$ , and the contents of memory location  $0102_{16}$  are  $00$ . Executing a:

```
TST    2,X
```

instruction would set the Sign, Overflow and Carry flags to 0 and set the Zero flag to 1.



### TSX — MOVE FROM STACK POINTER TO INDEX REGISTER



### 3-90 6800 Assembly Language Programming

Move the contents of the Stack Pointer to the Index register and increment by one.

Suppose  $ppqq$  is  $2AF7_{16}$ . After the execution of the:

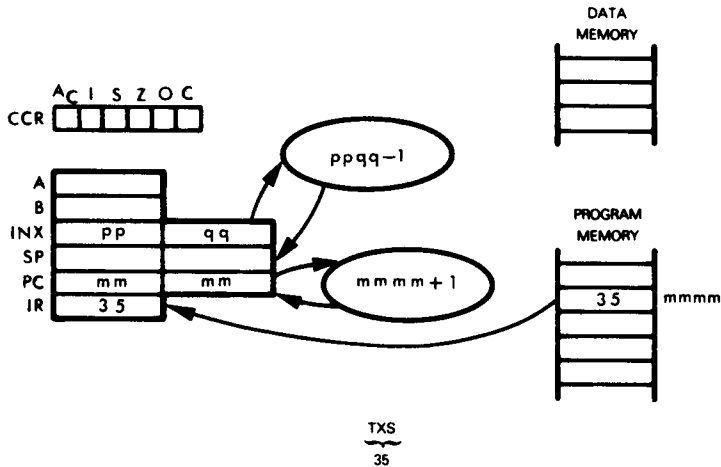
TSX

instruction, the Index register will contain  $2AF8_{16}$ .

The reason the Index register is loaded with the contents of the Stack Pointer plus one is to allow the Index register to point directly at the bottom of the stack. Recall that the MC6800 employs a decrement after write, increment before read stack implementation scheme.

No other registers or statuses are affected.

#### TXS — MOVE FROM INDEX REGISTER TO STACK POINTER



Move the contents of the Index register to the Stack Pointer and decrement by one.

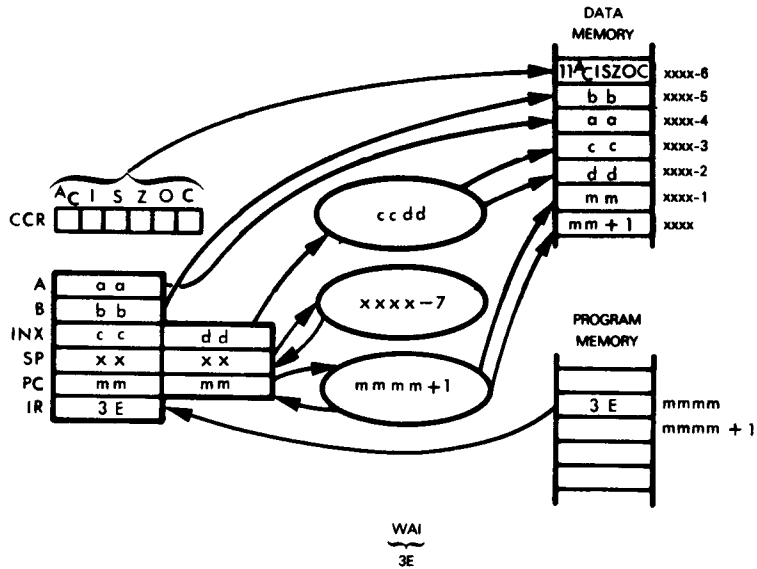
Suppose  $ppqq = 2AF8_{16}$ . After:

TXS

has executed, the Stack Pointer will contain  $2AF7_{16}$ .

No other registers or statuses are affected.

**WAI — WAIT FOR INTERRUPT**



The Program Counter is incremented by one, then the Program Counter, Index register, Accumulators A and B, and the Condition Code register are all pushed onto the stack. The registers and the corresponding memory locations into which they are pushed are shown below:

| Memory Location<br>(SP is xxxx at start of instruction execution) | Register                     |
|-------------------------------------------------------------------|------------------------------|
| xxxx                                                              | Low byte of Program Counter  |
| xxxx-1                                                            | High byte of Program Counter |
| xxxx-2                                                            | Low byte of Index register   |
| xxxx-3                                                            | High byte of Index register  |
| xxxx-4                                                            | Accumulator A                |
| xxxx-5                                                            | Accumulator B                |
| xxxx-6                                                            | Condition Code register      |

After the status of the system has been saved on the stack, execution is halted until a peripheral device requests an interrupt. When an interrupt is requested, the interrupt mask bit is set to 1 and a jump is made to the address contained in the normal External Interrupt Vector. Consult the 6800 chapter of An Introduction to Microcomputers: Volume 2 — Some Real Microprocessors for further information on the WAI instruction.

## MOTOROLA 6800 ASSEMBLER CONVENTIONS

The standard 6800 Assembler is available from 6800 manufacturers and on the major time-sharing networks; it is also part of most development systems. Cross-assembler versions are available for most large computers and many minicomputers.

### ASSEMBLER FIELD STRUCTURE

The assembly language instructions have the standard field structure (see Figure 2-1). The required delimiters are:

- 1) A space after a label. Note that all labels must start in column 1.
- 2) A space after the operation code. The Accumulator designation, if needed, may be added to the operation code without a space; e.g., ADDA for "Add to Accumulator A".
- 3) An X in the operand field indicates indexing.
- 4) A space before a comment that appears on the same line as an instruction, and an asterisk at the start of a line without an operation code.

Typical 6800 assembly language instructions are:

```
START    LDAA    1000    GET LENGTH
          LDX    2300
          WAI
```

### LABELS

The Assembler often allows only six characters in labels; the first character must be a letter while subsequent characters must be letters or numbers. The single characters A, B, and X are reserved for the two Accumulators and the Index register, respectively.

### PSEUDO-OPERATIONS

The Assembler has the following pseudo-operations:

```
END - End of Program
EQU - Equate
FCB - Form Constant Byte
FCC - Form Constant Characters
FDB - Form Double Constant
ORG - Origin
RMB - Reserve Memory Bytes
```

FCB, FCC, and FDB are the Data pseudo-operations used to place data in ROM. FCB is used for 8-bit data, FCC for 7-bit ASCII characters (MSB is zero), and FDB for 16-bit data or addresses. FDB stores 16-bit data or addresses in two consecutive bytes, with the eight most significant bits going into the first word (lower address).

**FCB, FCC,  
FDB PSEUDO-  
OPERATIONS**

Examples:

```
ADDR    FDB    $3165
```

results in (ADDR) = 31 and (ADDR+1) = 65 (hexadecimal).

```
TCONV   FCB    32
```

This pseudo-operation places the number 32 in the next byte of ROM and assigns the name TCONV to the address of that byte.

```
ERROR   FCC    /ERROR/
```

This pseudo-operation places the 7-bit ASCII characters E, R, R, O, and R in the next five bytes of ROM and assigns the name ERROR to the address of the first byte.

Any single character (not just /) may be used to surround the ASCII text. An alternative is to specify the number of characters in the operand field. For example:

```
ERROR   FCC      5,ERROR
```

We will always use the first form shown; i.e., with the slash, for consistency.

```
OPERS   FDB      FADD,FSUB,FMUL,FDIV
```

This pseudo-operation places the addresses FADD, FSUB, FMUL, and FDIV in the next eight bytes of memory and assigns the name OPERS to the address of the first byte.

RMB is the Reserve pseudo-operation used to assign locations in RAM; it allocates a specified number of bytes.

EQU is the Equate or Define pseudo-operation used to define names.

ORG is the standard Origin pseudo-operation.

6800 programs usually have several origins; the origins are used as follows:

|                                      |
|--------------------------------------|
| <b>ORG<br/>PSEUDO-<br/>OPERATION</b> |
|--------------------------------------|

- 1) To specify the Reset and interrupt service addresses. These addresses must be placed in the highest memory addresses in the system (usually  $FFF8_{16}$  through  $FFFF_{16}$ ).
- 2) To specify the starting addresses of the actual Reset and interrupt service routines. The routines themselves may be placed anywhere in memory.
- 3) To specify the starting address of the main program.
- 4) To specify the starting addresses of subroutines.
- 5) To define areas for RAM storage.
- 6) To define an area for the RAM Stack.
- 7) To specify addresses used for I/O ports and special functions.

Examples:

```
RESET   EQU      $3800
         ORG      $FFFE
         FDB      RESET
         ORG      RESET
```

Note: \$ means 'hexadecimal'.

This sequence places the Reset instruction sequence in memory beginning at address 3800, and places that address in the memory locations (addresses FFFE and FFFF) from which the 6800 CPU retrieves the Reset address.

The instruction sequence which follows is stored in memory beginning at location  $C000_{16}$ .

```
MAIN    EQU      $C000
         ORG      MAIN
```

END simply marks the end of the assembly language program.

## **LABELS WITH PSEUDO-OPERATIONS**

The rules and recommendations for labels with 6800 pseudo-operations are as follows:

- 1) EQU requires a label, since its purpose is to define the meaning of that label.
- 2) FCB, FCC, FDB, and RMB usually have labels.
- 3) ORG and END should not have labels, since the meaning of such labels is unclear.

## ADDRESSES

The Motorola 6800 Assembler allows entries in the address field in any of the following forms:

- 1) Decimal (the default case)  
Example: 1247
- 2) Hexadecimal (must start with \$)  
Example: \$CE00
- 3) Octal (must start with @)  
Example: @1247
- 4) Binary (must start with %)  
Example: %11100011
- 5) ASCII (single character preceded by an apostrophe)  
Example: 'H
- 6) As an offset from the Program Counter (\*)  
Example: \*+7

**NUMBERS AND  
CHARACTERS  
IN ADDRESS  
FIELD**

The various 6800 addressing modes are distinguished as follows:

Direct or Extended are the default modes (the Assembler chooses Direct if the address is less than 256, and Extended otherwise).

# for Immediate mode (precedes the data).

X for Indexing (follows the offset). X alone is equivalent to 0,X.

The Assembler also allows expressions in the address field. These expressions consist of numbers and names separated by the arithmetic operators +, -, \* (multiplication), or / (integer division).

The Assembler evaluates expressions from left to right; no parentheses are allowed, nor is there any hierarchy of operations. Fractional results are truncated.

We recommend that you avoid expressions within address fields whenever possible. If you must compute an address, comment any unclear expressions and be sure that the evaluation of the expressions never produces a result which is too large for its ultimate use.

**ADDRESSING  
MODES**

**ASSEMBLER  
ARITHMETIC  
EXPRESSIONS**

## OTHER ASSEMBLER FEATURES

The standard 6800 Assembler has neither a conditional assembly capability nor a macro capability. Some 6800 assemblers have one or both of these capabilities, and you should consult your manual for a description. We will not use or refer to either capability again, although both can be quite convenient.

## REFERENCES

<sup>1</sup> For further information on these topics, see:

Osborne, Adam, and Kane, Gerry. *Osborne 4 & 8-Bit Microprocessor Handbook*. Berkeley: Osborne/McGraw-Hill, 1981.

Osborne, Adam, and Kane, Gerry. *Osborne 16-Bit Microprocessor Handbook*. Berkeley: Osborne/McGraw-Hill, 1981.

Kane, Gerry, and Osborne, Adam. *An Introduction to Microcomputers: Volume 3 — Some Real Support Devices*. Berkeley: Osborne/McGraw-Hill, 1978.

<sup>2</sup> For information on this subject, see:

Osborne, Adam. *6800 Programming for Logic Design*. Berkeley: Osborne and Associates, 1977.



# Chapter 4

## SIMPLE PROGRAMS

The only way to learn assembly language programming is to write assembly language programs. That is what we will do for the next six chapters, which contain examples of typical microprocessor tasks. Problems at the end of each chapter contain variations on the examples given in the text of the chapter. You should try to run the examples on a 6800-based microcomputer system, to ensure that you understand the material covered in the chapter.

In this chapter we begin with some very simple programs.

### GENERAL FORMAT OF EXAMPLES

Each program example contains the following parts:

**EXAMPLE  
FORMAT**

- 1) A title that describes the general problem.
- 2) A statement of purpose that describes the specific task which the program performs, plus the memory locations that it uses.
- 3) A sample problem showing input data and results.
- 4) A flowchart if the program logic is complex.
- 5) The source program or assembly language listing of the program.
- 6) The object program or hexadecimal machine language listing of the program.
- 7) Explanatory notes that discuss the instructions and methods used in the program.

The problems at the end of the chapter are similar to the examples; problems should be programmed on a 6800-based microcomputer system, using the examples as guidelines.

The source programs in the examples have been constructed as follows:

- 1) Standard Motorola 6800 Assembler notation is used, as summarized in Chapter 3.
- 2) The forms in which data and addresses appear are selected for clarity rather than for consistency. We use hexadecimal numbers for memory addresses, instruction codes, and BCD data; decimal for numeric constants; binary for logical masks; and ASCII for characters.
- 3) Frequently used instructions and programming techniques are emphasized.
- 4) Examples illustrate tasks that microprocessors perform in communications, instrumentation, computer, business equipment, industrial, and military applications.
- 5) Detailed comments are included.
- 6) Simple and clear structures are emphasized, but programs are as efficient as possible within this guideline. The notes often describe more efficient procedures.
- 7) Programs use consistent memory allocations. Each program starts in memory location 0 and ends with the Software Interrupt instruction (SWI), which typically returns control to the microcomputer monitor. If your microcomputer has no monitor, you may prefer to end programs with an endless loop instruction, such as

**GUIDELINES  
FOR  
EXAMPLES**

HERE    BRA    HERE

## 4-2 6800 Assembly Language Programming

Consult the user's manual for your microcomputer to determine the required memory allocations and terminating instruction for your particular system.

When tackling the problems at the end of each chapter, try to work within the following guidelines:

- 1) Comment each program so that others can understand it. The comments can be brief and ungrammatical; they should explain the purpose of a section or instruction in the program. Comments should not describe the operation of instructions; that description is available in manuals. You do not have to comment each statement or explain the obvious. You may follow the format of the examples but provide less detail.
- 2) Emphasize clarity, simplicity, and good structure in programs. While programs should be reasonably efficient, do not worry about saving a single word of program memory or a few microseconds.
- 3) Make programs reasonably general. Do not confuse parameters (such as the number of elements in an array) with fixed constants (such as  $\pi$  or ASCII C).
- 4) Never assume fixed initial values for parameters; i.e., use an instruction to load an initial value into a parameter.
- 5) Use Assembler notation as shown in the examples and defined in Chapter 3.
- 6) Use hexadecimal notation for addresses. Use the clearest possible form for data.
- 7) If your microcomputer allows it, start all programs in memory location 0 and use memory locations starting with 0040 for data and temporary storage. Otherwise, establish equivalent addresses for your microcomputer and use them consistently. Again, consult your user's manual.
- 8) Use meaningful names for labels and variables; for example, SUM or CHECK rather than X, Y, or Z.
- 9) Execute each program on your microcomputer. There is no other way of ensuring that your program is correct. We have provided sample data with each problem. Be sure that the program works for special cases.

### PROGRAMMING GUIDELINES

We will now summarize some useful information that you should keep in mind when writing programs.

Almost all processing instructions (e.g., Add, Subtract, AND, OR) use one of the two Accumulators. In most cases you will load data into the Accumulator with LDAA or LDAB. You will store the result (from the Accumulator) in memory with STAA or STAB.

### USING THE ACCUMULATORS

Frequently accessed data should be placed on page zero of memory (addresses 0000 through 00FF). This data can then be accessed with one-word direct addresses. Note, however, that single-operand instructions such as Clear, Decrement, Increment, Shift, and Test require a full two-word extended address even if the memory location being used is on page zero.

### USING DIRECT ADDRESSING

## PROGRAM EXAMPLES

### Ones Complement

**Purpose:** Logically complement the contents of memory location 0040 and place the result in memory location 0041.

**Sample Problem:**

(0040) = 6A  
Result: (0041) = 95

**Source Program:**

```

LDAA  $40    GET DATA
COMA                    ONES COMPLEMENT
STAA  $41    STORE RESULT
SWI

```

**Object Program:**

| Memory Address<br>(Hex) | Memory Contents<br>(Hex) | Instruction<br>(Mnemonic) |
|-------------------------|--------------------------|---------------------------|
| 0000                    | 96 40                    | LDAA \$40                 |
| 0002                    | 43                       | COMA                      |
| 0003                    | 97 41                    | STAA \$41                 |
| 0005                    | 3F                       | SWI                       |

LDAA (Load Accumulator A) and STAA (Store Accumulator A) need an address to determine the source or destination of the data. Since the addresses used in the example are on page zero (that is, the eight most significant bits are all zero), the direct form of the instruction can be used with the address in the next word. The leading zeros are dropped (the address is really 0040) just as they are in everyday use (we say "sixty cents" rather than "zero dollars and sixty cents").

COMA (Complement Accumulator A) is a one-word instruction which inverts each bit of Accumulator A. It replaces each '0' with a '1' and each '1' with a '0', just like a set of inverter gates.

SWI (Software Interrupt) is used to end all the examples.

**8-Bit Addition**

**Purpose:** Add the contents of memory locations 0040 and 0041, and place the result in memory location 0042.

**Sample Problem:**

```

(0040) = 38
(0041) = 2B
Result: (0042) = 63

```

**Source Program:**

```

LDAA  $40    GET FIRST OPERAND
ADDA  $41    ADD SECOND OPERAND
STAA  $42    STORE RESULT
SWI

```

**Object Program:**

| Memory Address<br>(Hex) | Memory Contents<br>(Hex) | Instruction<br>(Mnemonic) |
|-------------------------|--------------------------|---------------------------|
| 0000                    | 96 40                    | LDAA \$40                 |
| 0002                    | 9B 41                    | ADDA \$41                 |
| 0004                    | 97 42                    | STAA \$42                 |
| 0006                    | 3F                       | SWI                       |

#### 4-4 6800 Assembly Language Programming

The direct forms of all instructions are used, since all the addresses are on page zero. ADDA affects the Carry bit, but LDAA and STAA do not. Only arithmetic instructions (Add, Subtract, Compare, etc.) change the Carry.

LDAA and ADDA do not affect the contents of memory. STAA changes the contents of the addressed memory location, but does not affect the contents of the Accumulator.

#### Shift Left One Bit

**Purpose:** Shift the contents of memory location 0040 left one bit and place the result in memory location 0041. Clear the empty bit position.

#### Sample Problem:

(0040) = 6F  
Result: (0041) = DE

#### Source Program:

```
LDAB  $40    GET DATA
ASLB                      SHIFT LEFT
STAB  $41    STORE RESULT
SWI
```

#### Object Program:

| Memory Address<br>(Hex) | Memory Contents<br>(Hex) | Instruction<br>(Mnemonic) |
|-------------------------|--------------------------|---------------------------|
| 0000                    | D6 40                    | LDAB \$40                 |
| 0002                    | 58                       | ASLB                      |
| 0003                    | D7 41                    | STAB \$41                 |
| 0005                    | 3F                       | SWI                       |

Accumulators A and B are virtually interchangeable, so most instructions can use either one. Note, however, that the instructions ABA (Add Accumulators) and SBA (Subtract Accumulators) place their results in Accumulator A.

ASLB shifts Accumulator B left one bit and clears the least significant bit. The most significant bit goes into the Carry. The result is twice the original data (why?).

#### Mask Off Most Significant Four Bits

**Purpose:** Place the least significant four bits of memory location 0040 in the least significant four bits of memory location 0041. Clear the most significant four bits of memory location 0041.

#### Sample Problem:

(0040) = 3D  
Result: (0041) = 0D

#### Source Program:

```
LDAA  $40    GET DATA
ANDA  #%00001111  MASK OFF 4 MSBS
STAA  $41    STORE RESULT
SWI
```

Note: # means immediate addressing and % means binary constant in standard 6800 Assembler notation.

**Object Program:**

| Memory Address<br>(Hex) | Memory Contents<br>(Hex) | Instruction<br>(Mnemonic) |
|-------------------------|--------------------------|---------------------------|
| 0000                    | 96 40                    | LDAA \$40                 |
| 0002                    | 84 0F                    | ANDA #%00001111           |
| 0004                    | 97 41                    | STAA \$41                 |
| 0006                    | 3F                       | SWI                       |

ANDA #%00001111 logically ANDs the contents of the Accumulator with the number 0F (hex) -- not the contents of the memory location 000F. Immediate addressing (indicated by #) means that the actual data, not the address of the data, is included in the instruction.

The mask (00001111) is written in binary to make its function clearer to the reader. Binary notation for masks is generally much clearer than hexadecimal notation, although the results are the same. Hexadecimal notation should be used for masks longer than eight bits. The comments should explain the masking operation.

**Clear a Memory Location**

**Purpose:** Clear memory location 0040.

**Source Program:**

```
CLR    $40    CLEAR MEMORY LOCATION 40
```

**Object Program:**

| Memory Address<br>(Hex) | Memory Contents<br>(Hex) | Instruction<br>(Mnemonic) |
|-------------------------|--------------------------|---------------------------|
| 0000                    | 7F 0040                  | CLR \$40                  |
| 0003                    | 3F                       | SWI                       |

CLR can be applied to any memory location, but a complete 16-bit address is necessary (i.e., 0040 instead of just 40). Of course, the processor does not really act directly on memory. It generates a zero internally and stores it in the memory location.

CLR resets the Carry, Negative, and Overflow flags, and sets the Zero flag.

**Word Disassembly**

**Purpose:** Divide the contents of memory location 0040 into two 4-bit sections and store them in memory locations 0041 and 0042. Place the four most significant bits of memory location 0040 in the four least significant bit positions of memory location 0041; place the four least significant bits of memory location 0040 in the four least significant bit positions of memory location 0042. Clear the four most significant bit positions of memory locations 0041 and 0042.

**Sample Problem:**

```
(0040) = 3F
Result: (0041) = 03
        (0042) = 0F
```

#### 4-6 6800 Assembly Language Programming

##### Source Program:

```

LDAA  $40      GET DATA
ANDA  #%00001111  MASK OFF FOUR MSBS
STAA  $42      SAVE LEAST SIGNIFICANT HEX DIGIT
LDAA  $40      RELOAD DATA
LSRA  SHIFTS FOUR MSBS TO LEAST
LSRA  SIGNIFICANT POSITIONS
LSRA  AND CLEAR MSBS
STAA  $41      SAVE MOST SIGNIFICANT HEX DIGIT
SWI

```

##### Object Program:

| Memory Address<br>(Hex) | Memory Contents<br>(Hex) | Instruction<br>(Mnemonic) |
|-------------------------|--------------------------|---------------------------|
| 0000                    | 96 40                    | LDAA \$40                 |
| 0002                    | 84 0F                    | ANDA #%00001111           |
| 0004                    | 97 42                    | STAA \$42                 |
| 0006                    | 96 40                    | LDAA \$40                 |
| 0008                    | 44                       | LSRA                      |
| 0009                    | 44                       | LSRA                      |
| 000A                    | 44                       | LSRA                      |
| 000B                    | 44                       | LSRA                      |
| 000C                    | 97 41                    | STAA \$41                 |
| 000E                    | 3F                       | SWI                       |

A logical shift of four positions requires four executions of the LSR instruction.

Each LSR instruction clears the most significant bit of the result. Thus, the four most significant bits of Accumulator A are all cleared after LSRA has been executed four times.

### Find the Larger of Two Numbers

**Purpose:** Place the larger of the contents of memory locations 0040 and 0041 in memory location 0042. Assume that the contents of memory locations 0040 and 0041 are unsigned binary numbers.

##### Sample Problems:

- a.               (0040) = 3F  
                   (0041) = 2B  
       Result: (0042) = 3F
- b.               (0040) = 75  
                   (0041) = A8  
       Result: (0042) = A8

##### Source Program:

```

LDAA  $40      GET FIRST OPERAND
CMPA  $41
BHI   STRES    REPLACE WITH SECOND OPERAND IF
LDAA  $41      SECOND LARGER
STRES STAA    $42  STORE LARGER OPERAND
SWI

```

**Object Program:**

| Memory Address<br>(Hex) | Memory Contents<br>(Hex) | Instruction<br>(Mnemonic) |
|-------------------------|--------------------------|---------------------------|
| 0000                    | 96 40                    | LDAA \$40                 |
| 0002                    | 91 41                    | CMPA \$41                 |
| 0004                    | 22 02                    | BHI STRES                 |
| 0006                    | 96 41                    | LDAA \$41                 |
| 0008                    | 97 42                    | STRES STAA \$42           |
| 000A                    | 3F                       | SWI                       |

CMPA \$41 subtracts the contents of memory location 0041 from the contents of the Accumulator, but does not store the result anywhere. The instruction is used merely to set the flags.

CMPA affects the flags as follows:

- 1) N is 1 if the most significant bit of the result of the subtraction is 1, 0 otherwise.
- 2) Z is 1 if the result of the subtraction is zero, 0 otherwise.
- 3) V is 1 if the subtraction would cause twos complement overflow, 0 otherwise.
- 4) C is 1 if the subtraction would require a borrow into the most significant bit of the result, 0 otherwise.

Note the following cases:

- 1) If the operands are equal, Z = 1. If they are not equal, Z = 0.
- 2) If the contents of the Accumulator are greater than or equal to the contents of the other address (considering both as unsigned binary numbers), C = 0, since no borrow would then be needed. Otherwise, C = 1.

All 6800 conditional branch instructions use relative addressing, in which the second word of the instruction is an 8-bit twos complement number which the CPU adds to the address of the next instruction to find the target address. In the example, the relative offset is 0008 (target address) - 0006 (address immediately following the branch) or 02.

BHI causes a branch if the contents of the Accumulator are greater than the contents of memory location 0041; i.e., if C = 0 (result non-negative) and Z = 0 (result non-zero).

STRES is a label, a name which the programmer assigns to a memory location. The label makes the destination of the branch clearer, particularly when relative addressing is being used. The Assembler calculates the required offset. Using a label is preferable to just specifying the offset (i.e., BHI\*+2), since the 6800's instructions vary in length. You could therefore easily make an error in determining an offset.

**16-Bit Addition**

**Purpose:** Add the 16-bit number in memory locations 0040 and 0041 to the 16-bit number in memory locations 0042 and 0043. The most significant eight bits are in memory locations 0040 and 0042. Store the result in memory locations 0044 and 0045, with the most significant bits in 0044.

**Sample Problem:**

```

(0040) = 67
(0041) = 2A
(0042) = 14
(0043) = F8
Result: 672A + 14 F8 = 7C22
(0044) = 7C
(0045) = 22

```

**4-8 6800 Assembly Language Programming**

**Source Program:**

```

LDAA  $41
ADDA  $43      ADD LEAST SIGNIFICANT BITS
STAA  $45
LDAA  $40
ADCA  $42      ADD MOST SIGNIFICANT BITS
STAA  $44      WITH CARRY
SWI
    
```

**Object Program:**

| Memory Address<br>(Hex) | Memory Contents<br>(Hex) | Instruction<br>(Mnemonic) |
|-------------------------|--------------------------|---------------------------|
| 0000                    | 96 41                    | LDAA \$41                 |
| 0002                    | 9B 43                    | ADDA \$43                 |
| 0004                    | 97 45                    | STAA \$45                 |
| 0006                    | 96 40                    | LDAA \$40                 |
| 0008                    | 99 42                    | ADCA \$42                 |
| 000A                    | 97 44                    | STAA \$44                 |
| 000C                    | 3F                       | SWI                       |

ADCA \$42 adds the contents of Accumulator A and the contents of memory location 0042, plus the contents of the Carry (C) bit. The carry from the addition of the less significant eight bits is thus included in the addition of the more significant eight bits.

The 6801 microprocessor has special instructions for loading and storing the double Accumulator (A and B), adding 16 bits to it, and subtracting 16 bits from it.

**Table of Squares**

**Purpose:** Calculate the square of the contents of memory location 0041 from a table and place it in memory location 0042. Assume that memory location 0041 contains a number between 0 and 7 inclusive ( $0 \leq (41) \leq 7$ ).

The table occupies memory locations 0050 to 0057.

| Memory Address<br>(Hex) | Entry |                      |
|-------------------------|-------|----------------------|
|                         | (Hex) | (Decimal)            |
| 0050                    | 00    | 0 (0 <sup>2</sup> )  |
| 0051                    | 01    | 1 (1 <sup>2</sup> )  |
| 0052                    | 04    | 4 (2 <sup>2</sup> )  |
| 0053                    | 09    | 9 (3 <sup>2</sup> )  |
| 0054                    | 10    | 16 (4 <sup>2</sup> ) |
| 0055                    | 19    | 25 (5 <sup>2</sup> ) |
| 0056                    | 24    | 36 (6 <sup>2</sup> ) |
| 0057                    | 31    | 49 (7 <sup>2</sup> ) |

**Sample Problems:**

- a.           (0041) = 03  
      Result: (0042) = 09
- b.           (0041) = 06  
      Result: (0042) = 24

**Source Program:**

```

CLR    $40    SET 8 MOST SIGNIFICANT BITS TO ZERO
LDX    $40    MOVE DATA TO INDEX REGISTER
LDAA   $50.X  ACCESS SQUARE TABLE
STAA   $42    STORE RESULT
SWI

```

**Object Program:**

| Memory Address<br>(Hex) | Memory Contents<br>(Hex) | Instruction<br>(Mnemonic) |
|-------------------------|--------------------------|---------------------------|
| 0000                    | 7F 0040                  | CLR \$40                  |
| 0003                    | DE 40                    | LDX \$40                  |
| 0005                    | A6 50                    | LDAA \$50.X               |
| 0007                    | 97 42                    | STAA \$42                 |
| 0009                    | 3F                       | SWI                       |

Note that the programmer must also enter the table of squares into memory (the Assembler pseudo-operation FCB will handle this).

Memory location 0040 is cleared so that the most significant bits of the Index register will be zero when it is subsequently loaded from memory locations 0040 and 0041. Never assume that a memory location contains zero just because you haven't used it.

LDX \$40 loads the Index register with the contents of memory locations 0040 and 0041. The contents of memory location 0040 are placed in the eight most significant bits of the Index register, and the contents of memory location 0041 are placed in the eight least significant bits of the Index register. Always remember that the Index register is 16 bits long.

Indexed addressing means that the actual address used by the instruction is the sum of the address given with the instruction and the contents of the Index register. Thus LDAA \$50.X (X indicates indexed addressing in 6800 assembly language) is equivalent to LDAA \$50 + (X), or 53 if (X) = 3. In this case, the Index register contains the number to be squared and the address given with the instruction is the starting address of the table of squares.

Although the 6800 is an 8-bit processor, it has many instructions which handle 16 bits. These are primarily intended to handle addresses which must be 16 bits long to access an adequate amount of memory. Typical instructions are:

```

LDX - load the 16-bit Index register from memory
STX - store the 16-bit Index register in memory
DEX - subtract 1 from the Index register
INX - add 1 to the Index register
CPX - compare the 16-bit Index register to another 16-bit number; i.e., per-
      form 16-bit subtraction and change the flags but don't store the result
      anywhere. The Z (Zero) bit can be used for branching.

```

Of course, the CPU really does everything eight bits at a time; the 16-bit instructions give the CPU directions for two cycles rather than just one.

Arithmetic that a microprocessor cannot do directly in a few instructions is often best performed with lookup tables. Lookup tables simply contain all the possible answers to the problem; they are organized so that the answer to a particular problem can be found easily. The arithmetic problem now becomes an accessing problem -- how do we

#### 4-10 6800 Assembly Language Programming

get the correct answer from the table? We must know two things -- the position of the answer in the table (called the index) and the base or starting address of the table. The address of the answer is then the base address plus the index.

The base address, of course, is a fixed number for a particular table. How can we determine the index? In simple cases, where a single piece of data is involved, we can organize the table so that the data is the index. In the table of squares, the 0th entry in the table contains zero squared, the first entry one squared, etc. In more complex cases, where the spread of input values is very large or there are several data items involved (for example, roots of a quadratic or number of permutations), we must use more complicated methods to determine indexes.

The basic tradeoff in using a table is time vs. memory. Tables are faster, since no computations are required, and simpler, since no mathematical methods must be devised and tested. However, tables can occupy a large amount of memory if the range of the input data is large. We can often reduce the size of a table by limiting the accuracy of the results, scaling the input data, or organizing the table cleverly. Tables are often used to compute transcendental and trigonometric functions, linearize inputs, convert codes, and perform other mathematical tasks.

### 16-Bit Ones Complement

**Purpose:** Place the ones complement of the 16-bit number in memory locations 0040 and 0041 in memory locations 0042 and 0043. The most significant bytes are in locations 0040 and 0042.

**Sample Problem:**

```
(0040) = 67
(0041) = E2
Result: (0042) = 98
        (0043) = 1D
```

The ones complement inverts each bit of the original number; the sum of the original number and its ones complement will always be all 1 bits.

**Source Program:**

```
LDAA  $40      GET 8 MSBS
COMA                      COMPLEMENT MSBS
STAA  $42      STORE 8 MSBS OF COMPLEMENT
LDAA  $41      GET 8 LSBS
COMA                      COMPLEMENT LSBS
STAA  $43      STORE 8 LSBS OF COMPLEMENT
SWI
```

**Object Program:**

| Memory Address<br>(Hex) | Memory Contents<br>(Hex) | Instruction<br>(Mnemonic) |
|-------------------------|--------------------------|---------------------------|
| 0000                    | 96 40                    | LDAA \$40                 |
| 0002                    | 43                       | COMA                      |
| 0003                    | 97 42                    | STAA \$42                 |
| 0005                    | 96 41                    | LDAA \$41                 |
| 0007                    | 43                       | COMA                      |
| 0008                    | 97 43                    | STAA \$43                 |
| 000A                    | 3F                       | SWI                       |

Despite the 6800's 16-bit instructions, you must use the 8-bit instructions to perform most arithmetic and logical operations. The 16-bit instructions can, however, be used to load and store data and occasionally to do a few 16-bit arithmetic operations, such as adding or subtracting 1.

Manage the Accumulators with care. Store the old result somewhere before loading an Accumulator with new data.

## PROBLEMS

### 1) Twos Complement

**Purpose:** Place the twos complement of the contents of memory location 0040 in memory location 0041. the twos complement is the ones complement plus one.

**Sample Problem:**

(0040) = 3E  
Result: (0041) = C2

The sum of the original number and its twos complement is zero (try the sample case).

### 2) 8-Bit Subtraction

**Purpose:** Subtract the contents of memory location 0041 from the contents of memory location 0040. Place the result in memory location 0042.

**Sample Problem:**

(0040) = 77  
(0041) = 39  
Result: (0042) = 3E

### 3) Shift Left Two Bits

**Purpose:** Shift the contents of memory location 0040 left two bits and place the result in memory location 0041. Clear the two least significant bit positions.

**Sample Problem:**

(0040) = 5D  
Result: (0041) = 74

### 4) Mask Off Least Significant Four Bits

**Purpose:** Place the four most significant bits of the contents of memory location 0040 in memory location 0041. Clear the four least significant bits of memory location 0041.

**Sample Problem:**

(0040) = C4  
Result: (0041) = C0

### 5) Set a Memory Location to All Ones

**Purpose:** Memory location 0040 is set to all ones (FF hex).

### 6) Word Assembly

**Purpose:** Combine the four least significant bits of memory locations 0040 and 0041 into a word and store them in memory location 0042. Place the four least significant bits of memory location 0040 in the four most significant bit positions of memory location 0042; place the four least significant bits of memory location 0041 in the four least significant bit positions of memory location 0042.

## 4-12 6800 Assembly Language Programming

### Sample Problem:

(0040) = 6A  
(0041) = B3  
Result: (0042) = A3

### 7) Find Smaller of Two Numbers

**Purpose:** Place the smaller of the contents of memory locations 0040 and 0041 in memory location 0042. Assume that 0040 and 0041 contain unsigned binary numbers.

#### Sample Problems:

- a. (0040) = 3F  
(0041) = 2B  
Result: (0042) = 2B
- b. (0040) = 75  
(0041) = A8  
Result: (0042) = 75

### 8) 24-Bit Addition

**Purpose:** Add the 24-bit number in memory locations 0040, 0041, and 0042 to the 24-bit number in memory locations 0043, 0044, and 0045. The most significant eight bits are in memory locations 0040 and 0043, the least significant eight bits in memory locations 0042 and 0045. Store the result in memory locations 0046, 0047, and 0048 with the most significant bits in 0046 and the least significant bits in 0048.

#### Sample Problem:

(0040) = 35  
(0041) = 67  
(0042) = 2A  
(0043) = 51  
(0044) = A4  
(0045) = F8  
Result: (0046) = 87  
(0047) = 0C  
(0048) = 22

that is, 
$$\begin{array}{r} 35672A \\ +51A4F8 \\ \hline 870C22 \end{array}$$

### 9) Sum of Squares

**Purpose:** Calculate the squares of the contents of memory locations 0041 and 0043 and add them together. Place the result in memory location 0044. Assume that memory locations 0041 and 0043 both contain numbers between 0 and 7 inclusive ( $0 \leq (41) \leq 7$  and  $0 \leq (43) \leq 7$ ). Use the table of squares from the example entitled Table of Squares.

#### Sample Problem:

(0041) = 03  
(0043) = 06  
Result: (0044) = 2D  
that is,  $3^2 + 6^2 = 9 + 36$  (decimal)  
 $= 45 = 2D$  (hex)

**10) 16-Bit Twos Complement**

**Purpose:** Place the twos complement of the 16-bit number in memory locations 0040 and 0041 (most significant bits in 0040) in memory locations 0042 and 0043 (most significant bits in 0042).

**Sample Problems:**

- a.                   (0040) = 00  
                      (0041) = 58  
      Result:      (0042) = FF  
                      (0043) = A8
- b.                   (0040) = 72  
                      (0041) = 00  
      Result:      (0042) = 8E  
                      (0043) = 00



# Chapter 5

## SIMPLE PROGRAM LOOPS

The program loop is the basic structure that forces the CPU to repeat a sequence of instructions. Loops have four sections:

- 1) The initialization section, which establishes the starting values of counters, address registers (pointers), and other variables.
- 2) The processing section, where the actual data manipulation occurs. This is the section that does the work.
- 3) The loop control section, which updates counters and pointers for the next iteration.
- 4) The concluding section, which analyzes and stores the results.

Note that the computer performs Sections 1 and 4 once, while it may perform Sections 2 and 3 many times. Thus, the execution time of the loop will mainly depend on the execution time of Sections 2 and 3. You will want Sections 2 and 3 to execute as quickly as possible; do not worry about the execution time of Sections 1 and 4. A typical program loop can be flowcharted as shown in Figure 5-1, or the positions of the processing and loop control sections may be reversed as shown in Figure 5-2. The processing section in Figure 5-1 is always executed at least once, while the processing section in Figure 5-2 may not be executed at all. Figure 5-1 seems more natural, but Figure 5-2 is often more efficient and avoids the problem of what to do when there is no data (a bugaboo for computers, and the frequent cause of silly situations like the computer dunning someone for a bill of \$0.00).

The loop structure can be used to process entire blocks of data. To accomplish this, the program must increment an Address register (usually the Index register) after each iteration so that the Address register points to the next element in the data block. The next iteration will then perform the same operations on the data in the next memory location. The computer can handle blocks of any length with the same set of instructions. Indexed addressing is the key to processing blocks of data with the 6800, since it allows you to vary the actual memory address by changing the contents of registers. Note that in the other 6800 addressing modes, the address from which the data is obtained is completely determined by the instruction (and thus fixed if the program memory is read-only).

5-2 6800 Assembly Language Programming

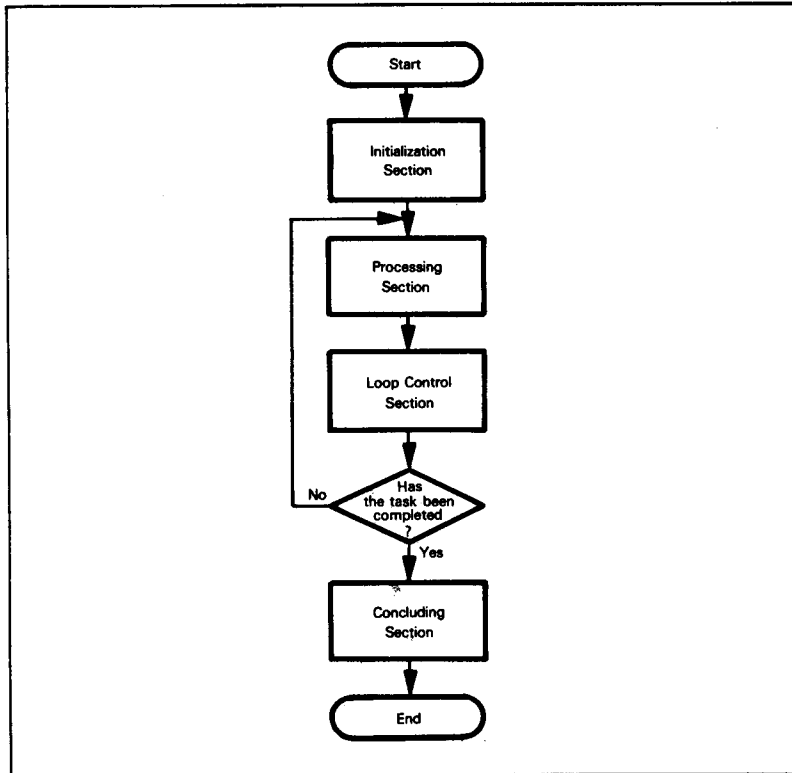


Figure 5-1. Flowchart of a Program Loop

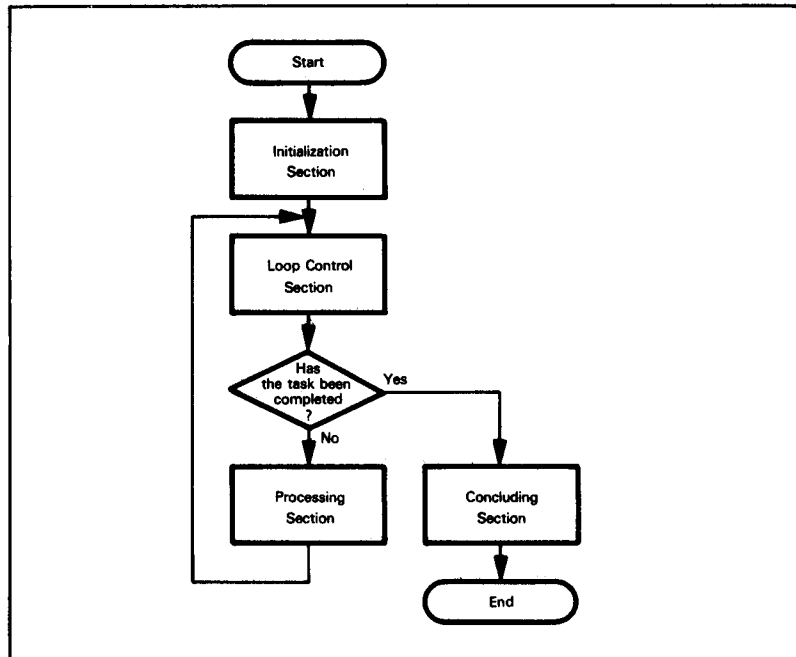


Figure 5-2. A Program Loop that Allows Zero Iterations

**EXAMPLES****Sum of Data**

**Purpose:** Calculate the sum of a series of numbers. The length of the series is in memory location 0041 and the series begins in memory location 0042. Store the sum in memory location 0040. Assume that the sum is an 8-bit number so that you can ignore carries.

**8-BIT  
SUMMATION**
**Sample Problem:**

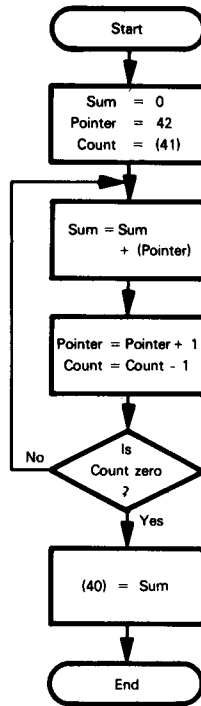
```

(0041) = 03
(0042) = 28
(0043) = 55
(0044) = 26
Result: (0040) = (0042)+(0043)+(0044)
           = 28+55+26
           = A3
  
```

There are three entries in the sum, since (0041)=03.

## 5-4 6800 Assembly Language Programming

### Flowchart:



Note: (Pointer) is the contents of the memory location addressed by Pointer. Remember that on the 6800 and similar microprocessors, Pointer is a 16-bit address, while (Pointer) is an 8-bit byte of data.

### Source Program:

|      |      |       |                         |
|------|------|-------|-------------------------|
|      | CLRA |       | SUM = ZERO              |
|      | LDAB | \$41  | COUNT = LENGTH OF ARRAY |
|      | LDX  | #\$42 | POINT TO START OF ARRAY |
| SUMD | ADDA | X     | ADD NUMBER TO SUM       |
|      | INX  |       |                         |
|      | DECB |       |                         |
|      | BNE  | SUMD  |                         |
|      | STAA | \$40  | STORE SUM               |
|      | SWI  |       |                         |

**Object Program:**

| Memory Address<br>(Hex) | Memory Contents<br>(Hex) | Instruction<br>(Mnemonic) |
|-------------------------|--------------------------|---------------------------|
| 0000                    | 4F                       | CLRA                      |
| 0001                    | D6 41                    | LDAB \$41                 |
| 0003                    | CE 0042                  | LDX #\$42                 |
| 0006                    | AB 00                    | SUMD ADDA X               |
| 0008                    | 08                       | INX                       |
| 0009                    | 5A                       | DECB                      |
| 000A                    | 26 FA                    | BNE SUMD                  |
| 000C                    | 97 40                    | STAA \$40                 |
| 000E                    | 3F                       | SWI                       |

The initialization section of the program is the first three instructions, which set the sum, counter, and data pointers to their starting values. Note that LDX loads two 8-bit words of memory into the 16-bit Index register (i.e., 0042 from memory addresses 0004 and 0005).

The processing section of the program is the single instruction ADDA X, which adds the contents of the memory location addressed by the Index register to the contents of the Accumulator. This instruction does the real work of the program. The effective address (that is, the address from which the CPU gets the data) is 0 + the contents of the Index register. You can omit the zero offset from the assembly language program; ADDA X and ADDA 0,X are equivalent.

The loop control section of the program consists of the instructions INX and DECB. INX updates the pointer so that the next iteration adds the next number to the sum. DECB decrements the Counter, which keeps track of how many iterations remain to be done.

The instruction BNE causes a branch if the Zero flag is zero. The offset is a two's complement number and the count begins from the memory location immediately following the BNE instruction. In this case, the required jump is from memory location 000C to memory location 0006. So the offset is:

$$\begin{array}{r} 0006 = 06 \\ -000C \quad +F4 \\ \hline \quad \quad \quad FA \end{array}$$

If the Zero flag is one, the CPU executes the next instruction in sequence (STAA \$40). Since DECB was the last instruction before BNE to affect the Zero flag, BNE SUMD causes a jump to SUMD if DECB does not produce a zero result; that is,

$$(PC) = \begin{cases} \text{SUMD if } (B) \neq 0 \\ (PC) + 2 \text{ if } (B) = 0 \end{cases}$$

(The 2 is caused by the two-word BNE instruction.) A single instruction combining the Decrement and the Jump would be a useful addition to the 6800 set.

Most computer loops count down rather than up so that the Zero flag can serve as an exit condition. Remember that the Zero flag is 1 if the result was zero and 0 if the result was not zero. Try rewriting the program so that it counts up rather than down; which method is more efficient?

The order of instructions is often very important. DECB must come right before BNE SUMD, since otherwise the Zero result set by DECB could be changed by another instruction. INX must come after ADDA X, or else the first number added to the sum will be the contents of memory location 0043 instead of the contents of memory location 0042.

## 5-6 6800 Assembly Language Programming

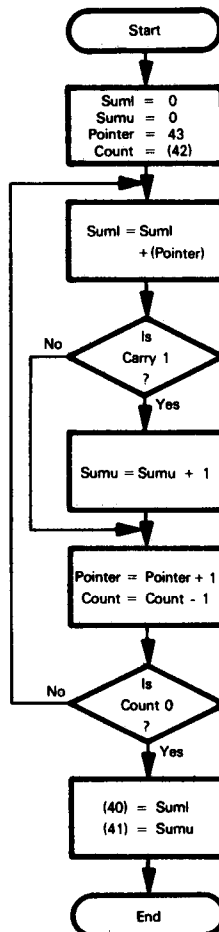
### 16-Bit Sum of Data

**Purpose:** Calculate the sum of a series of numbers. The length of the series is in memory location 0042 and the series itself begins in memory location 0043. Store the sum in memory locations 0040 and 0041 (eight most significant bits in 0040).

**Sample Problem:**

(0042) = 03  
(0043) = C8  
(0044) = FA  
(0045) = 96  
Result:  $C8 + FA + 96 = 0258$   
(0040) = 02  
(0041) = 58

**Flowchart:**



**Source Program:**

```

          CLRA          MSBS OF SUM = 0
          CLRB          LSBS OF SUM = 0
          LDX           #$43    POINTER = START OF ARRAY
SUMD     ADDB          X        SUM = SUM + DATA
          ADCA          #0      AND ADD IN CARRY
          INX
          DEC           $42
          BNE          SUMD
          STAA         $40      SAVE MSBS OF SUM
          STAB         $41      SAVE LSBS OF SUM
          SWI

```

**Object Program:**

| Memory Address<br>(Hex) | Memory Contents<br>(Hex) | Instruction<br>(Mnemonic) |
|-------------------------|--------------------------|---------------------------|
| 0000                    | 4F                       | CLRA                      |
| 0001                    | 5F                       | CLRB                      |
| 0002                    | CE 0043                  | LDX    #\$43              |
| 0005                    | EB 00                    | SUMD   ADDB   X           |
| 0007                    | 89 00                    | ADCA   #0                 |
| 0009                    | 08                       | INX                       |
| 000A                    | 7A 0042                  | DEC    \$42               |
| 000D                    | 26 F6                    | BNE    SUMD               |
| 000F                    | 97 40                    | STAA   \$40               |
| 0011                    | D7 41                    | STAB   \$41               |
| 0013                    | 3F                       | SWI                       |

The structure of this program is the same as the structure of the last one. The most significant bits of the sum must now be initialized and stored. The processing section consists of two instructions (ADDB X and ADCA #0).

The instruction ADCA #0 adds the carry and zero to Accumulator A:

$$(A) = (A) + 0 + \text{CARRY} \\ (A) + \text{CARRY}$$

No actual decision about the value of the Carry is necessary.

Another useful instruction in loops is CPX (Compare Index register) which subtracts a 16-bit number in memory from the 16-bit Index register. This instruction could, for example, be used to control the number of iterations.

A single instruction (for example, DEC \$42) can decrement the contents of a memory location, but a full 16-bit address or an indexed offset is necessary (no direct addressing on page zero). This is true of all the 6800's single-operand instructions, such as Shift, Clear, Increment, Decrement, etc.

## 5-8 6800 Assembly Language Programming

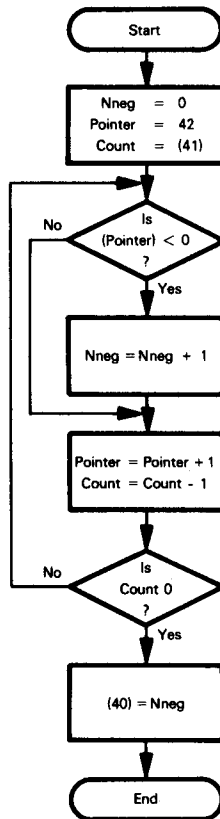
### Number of Negative Elements

**Purpose:** Determine the number of negative elements (most significant bit 1) in a block. The length of the block is in memory location 0041 and the block itself starts in memory location 0042. Place the number of negative elements in memory location 0040.

**Sample Problem:**

(0041) = 06  
(0042) = 68  
(0043) = F2  
(0044) = 87  
(0045) = 30  
(0046) = 59  
(0047) = 2A  
Result: (0040) = 02, since 0043 and 0044 contain numbers with an MSB of 1.

**Flowchart:**



**Source Program:**

```

LDX    #$42    POINT TO FIRST NUMBER
CLR    CLR      START NEGATIVE COUNT AT ZERO
CHKNEG LDAA    X    IS NEXT ITEM NEGATIVE?
      BPL    CHCNT
      INCB   YES, ADD 1 TO NEGATIVE COUNT
CHCNT  INX
      DEC    $41
      BNE   CHKNEG
      STAB  $40    SAVE NEGATIVE COUNT
      SWI

```

**Object Program:**

| Memory Address<br>(Hex) | Memory Contents<br>(Hex) | Instruction<br>(Mnemonic) |
|-------------------------|--------------------------|---------------------------|
| 0000                    | CE 0042                  | LDX \$42                  |
| 0003                    | 5F                       | CLRB                      |
| 0004                    | A6 00                    | CHKNEG LDAA X             |
| 0006                    | 2A 01                    | BPL BPL CHCNT             |
| 0008                    | 5C                       | INCB                      |
| 0009                    | 08                       | CHCNT INX                 |
| 000A                    | 7A 0041                  | DEC \$41                  |
| 000D                    | 26 F5                    | BNE CHKNEG                |
| 000F                    | D7 40                    | STAB \$40                 |
| 0011                    | 3F                       | SWI                       |

LDAA X is the same as LDAA 0,X.

We could also use the Test instruction (TST) to check the sign of the number in memory. This would allow us to use Accumulator A as a counter. Try rewriting the program to use TST.

BPL, Branch if Plus, causes a jump over the specified number of locations if the Negative (Sign) bit is zero. Note that the LDA instruction affects this bit.

The offset for BPL is calculated from the first memory location following the two-word instruction. Here the offset is simply from 08 to 09, or one location (i.e., the INCB instruction is skipped if the Negative bit is zero). The Negative bit will be zero if the most significant bit of the data loaded from memory by the LDAA X instruction is zero.

Remember that negative signed numbers all have a most significant bit (bit 7) of 1. All negative numbers are actually larger (in the unsigned sense) than positive numbers.

### Find Maximum

**Purpose:** Find the largest element in a block of data. The length of the block is in memory location 0041 and the block itself begins in memory location 0042. Store the maximum in memory location 0040. Assume that the numbers in the block are all 8-bit unsigned binary numbers.

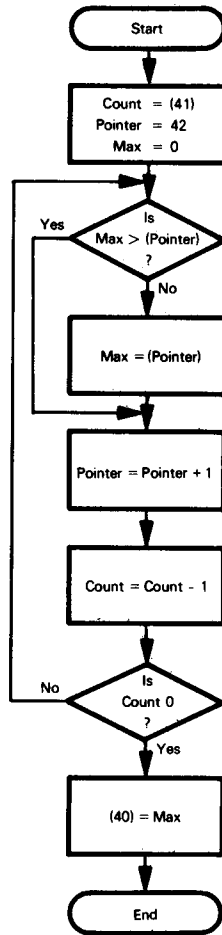
**Sample Problem:**

```
(0041) = 05
(0042) = 67
(0043) = 79
(0044) = 15
(0045) = E3
(0046) = 72
Result: (0040) = E3, since this is the largest of
        the five unsigned numbers.
```

**Source Program:**

```
LDAB  $41    GET COUNT
CLRA                      MAXIMUM=ZERO (MINIMUM POSSIBLE VALUE)
LDX   #$42    POINT TO FIRST ENTRY
MAXM  CMPA   X    IS MAXIMUM GREATER THAN CURRENT ENTRY?
      BCC   NOCHG YES, KEEP MAXIMUM
      LDAA  X    NO, REPLACE MAXIMUM WITH CURRENT ENTRY
NOCHG INX
      DECB
      BNE  MAXM
      STAA $40    SAVE MAXIMUM
      SWI
```

Flowchart:



## 5-12 6800 Assembly Language Programming

### Object Program:

| Memory Address<br>(Hex) | Memory Contents<br>(Hex) | Instruction<br>(Mnemonic) |
|-------------------------|--------------------------|---------------------------|
| 0000                    | D6 41                    | LDAB \$41                 |
| 0002                    | 4F                       | CLRA                      |
| 0003                    | CE 0042                  | LDX #\$42                 |
| 0006                    | A1 00                    | MAXM CMPA X               |
| 0008                    | 24 02                    | BCC NOCHG                 |
| 000A                    | A6 00                    | LDAA X                    |
| 000C                    | 08                       | NOCHG INX                 |
| 000D                    | 5A                       | DECB                      |
| 000E                    | 26 F6                    | BNE MAXM                  |
| 0010                    | 97 40                    | STAA \$40                 |
| 0012                    | 3F                       | SWI                       |

The relative offset for BCC NOCHG is:

$$\begin{array}{r} 000C \\ -000A \\ \hline 02 \end{array}$$

The relative offset for BNE MAXM is:

$$\begin{array}{r} 0006 = 06 \\ -0010 = +F0 \\ \hline F6 \end{array}$$

The first three bytes of this program form the initialization section.

This program takes advantage of the fact that zero is the smallest 8-bit unsigned binary number. When you set the register that contains the maximum value (in this case Accumulator A) to the minimum possible value before you enter the loop, then the program will set Accumulator A to a larger value unless all the elements in the array are zeros.

The program works properly if there are two elements, but not if there is one or none at all. Why? How could you solve this problem?

The instruction CMPA X sets the Carry flag as follows (ELEMENT is the contents of the address in the Index register and MAX is the contents of Accumulator A):

$$\begin{array}{l} \text{Carry} = 1 \text{ if } \text{ELEMENT} > \text{MAX} \\ \text{Carry} = 0 \text{ if } \text{ELEMENT} \leq \text{MAX} \end{array}$$

If Carry = 0, the program proceeds to NOCHG and does not change the maximum. If Carry = 1, the program replaces the old maximum with the current element by executing the instruction LDAA X.

The program does not work if the numbers are signed, because negative numbers will appear to be larger than positive numbers. The problem is somewhat tricky because overflow could make the result appear to have the wrong sign. The 6800 has special branch instructions BGT, BGE, BLE, and BLT, which handle overflow properly. Remember that overflow occurs when the magnitude of a result affects its sign bit.

**Justify a Binary Fraction**

**Purpose:** Shift the contents of memory location 0040 left until the most significant bit of the number is 1. Store the result in memory location 0041 and the number of left shifts required in memory location 0042. If the contents of memory location 0040 are zero, clear both 0041 and 0042.

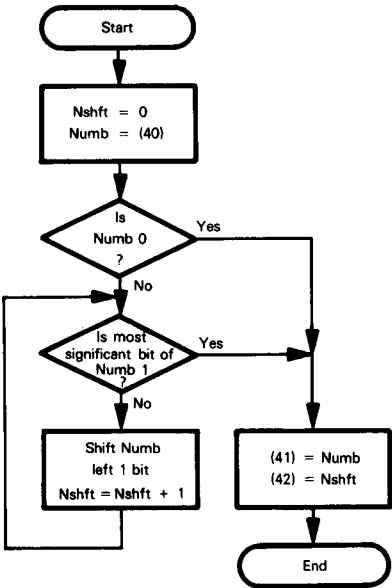
Note: The process is just like converting a number to a scientific notation; for example,

$$0.0057 = 5.7 \times 10^{-3}$$

**Sample Problems:**

- a.           (0040) = 22  
Result: (0041) = 88  
          (0042) = 02
- b.           (0040) = 01  
Result: (0041) = 80  
          (0042) = 07
- c.           (0040) = CB  
Result: (0041) = CB  
          (0042) = 00
- d.           (0040) = 00  
Result: (0041) = 00  
          (0042) = 00

**Flowchart:**



**5-14** 6800 Assembly Language Programming

**Source Program:**

```

        CLRB          NUMBER OF SHIFTS = 0
        LDAA    $40   GET DATA
        BEQ     DONE  THROUGH IF DATA ZERO
CHKMS   BMI     DONE  THROUGH IF MSB = 1
        INCB          ADD 1 TO NUMBER OF SHIFTS
        ASLA         SHIFT DATA LEFT 1 BIT
        BRA     CHKMS
DONE    STAA    $41   SAVE JUSTIFIED DATA
        STAB    $42   SAVE NUMBER OF SHIFTS
        SWI
    
```

**Object Program:**

| Memory Address<br>(Hex) | Memory Contents<br>(Hex) | Instruction<br>(Mnemonic) |
|-------------------------|--------------------------|---------------------------|
| 0000                    | 5F                       | CLRB                      |
| 0001                    | 96 40                    | LDAA \$40                 |
| 0003                    | 27 06                    | BEQ DONE                  |
| 0005                    | 2B 04                    | CHKMS BMI DONE            |
| 0007                    | 5C                       | INCB                      |
| 0008                    | 48                       | ASLA                      |
| 0009                    | 20 FA                    | BRA CHKMS                 |
| 000B                    | 97 41                    | DONE STAA \$41            |
| 000D                    | D7 42                    | STAB \$42                 |
| 000F                    | 3F                       | SWI                       |

The relative offsets are:

```

        BEQ     DONE    000B
                        -0005
                        -----
                        06

        BMI     DONE    000B
                        -0007
                        -----
                        04

        BRA     CHKMS    0005 = 05
                        -000B  +F5
                        -----
                        FA
    
```

ASL, Arithmetic Shift Left, shifts the contents of the specified address left one bit and clears the least significant bit. The most significant bit of the specified address ends up in the Carry. The old Carry is lost.

ASLA is equivalent to adding the number in Accumulator A to itself. The result is, of course, twice the original number (try it!).

BMI DONE causes a jump to location DONE if the Negative bit is 1. This condition may mean that the last result was a negative number, or may just mean that its most significant bit was 1 — the computer only supplies the results; the programmer must provide the interpretation.

There is an extraneous BRA instruction, BRA CHKMS, in this program. Can you change the initial conditions so that this instruction is not necessary?

**PROBLEMS****1) Checksum of Data**

**Purpose:** Calculate the checksum of a series of numbers. The length of the series is in memory location 0041 and the series itself begins in memory location 0042. Store the checksum in memory location 0040. The checksum is formed by Exclusive-ORing all the numbers in the series together.

Note: Such checksums are often used in paper tape and cassette systems to ensure that the data has been read correctly. The calculated checksum is compared to the one stored with the data — if the two checksums do not agree, the system will usually either indicate an error to the operator or automatically read the data again.

**Sample Problem:**

$$\begin{aligned}
 (0041) &= 03 \\
 (0042) &= 28 \\
 (0043) &= 55 \\
 (0044) &= 26 \\
 \text{Result: } (0040) &= (0042) \oplus (0043) \oplus (0044) \\
 &= 28 \oplus 55 \oplus 26 \\
 &= 00101000 \\
 &\oplus 01010101 \\
 &\hline
 &01111101 \\
 &\oplus 00100110 \\
 &\hline
 &01011011 \\
 &= 5B
 \end{aligned}$$

**2) Sum of 16-Bit Data**

**Purpose:** Calculate the sum of a series of 16-bit numbers. The length of the series is in memory location 0042 and the series itself begins in memory location 0043. Store the sum in memory locations 0040 and 0041 (eight most significant bits in 0040). Each 16-bit number occupies two memory locations, with the eight most significant bits in the lower address. Assume that the sum can be contained in 16 bits.

**Sample Problem:**

$$\begin{aligned}
 (0042) &= 03 \\
 (0043) &= 28 \\
 (0044) &= F1 \\
 (0045) &= 30 \\
 (0046) &= 1A \\
 (0047) &= 4B \\
 (0048) &= 89 \\
 \text{Result: } 28F1 + 301A + 4B89 &= A494 \\
 (0040) &= A4 \\
 (0041) &= 94
 \end{aligned}$$

### 3) Number of Zero, Positive, and Negative Numbers

**Purpose:** Determine the number of zero, positive (most significant bit zero but entire number not zero), and negative (most significant bit 1) elements in a block. The length of the block is in memory location 0043 and the block itself starts in memory location 0044. Place the number of negative elements in memory location 0040, the number of zero elements in memory location 0041, and the number of positive elements in memory location 0042.

**Sample Problem:**

(0043) = 06  
(0044) = 68  
(0045) = F2  
(0046) = 87  
(0047) = 00  
(0048) = 59  
(0049) = 2A

Result: 2 negative, 1 zero, and 3 positive, so

(0040) = 02  
(0041) = 01  
(0042) = 03

### 4) Find Minimum

**Purpose:** Find the smallest element in a block of data. The length of the block is in memory location 0041 and the block itself begins in memory location 0042. Store the minimum in memory location 0040. Assume that the numbers in the block are 8-bit unsigned binary numbers.

**Sample Problem:**

(0041) = 05  
(0042) = 67  
(0043) = 79  
(0044) = 15  
(0045) = E3  
(0046) = 72

Result: (0040) = 15, since this is the smallest of the five unsigned numbers.

### 5) Count 1 Bits

**Purpose:** Determine how many bits in memory location 0040 are one and place the result in memory location 0041.

**Sample Problem:**

(0040) = 3B = 00111011

Result: (0041) = 05

# Chapter 6

## CHARACTER-CODED DATA

Microprocessors often handle character-coded data. Not only do keyboards, teletypewriters, communications devices, displays, and computer terminals expect or provide character-coded data; many instruments, test systems, and controllers also require data in this form. The most commonly used code is ASCII. Baudot and EBCDIC are found less frequently. We will assume all of our character-coded data to be 7-bit ASCII with the most significant bit zero (see Table 6-1).

Some principles to remember in handling ASCII-coded data are:

**HANDLING  
DATA IN  
ASCII**

- 1) The codes for the numbers and letters form ordered sub-sequences. The codes for the decimal numbers are hex 30 through 39, so that you can convert between decimal and ASCII with a simple additive factor. The codes for the upper-case letters are hex 41 through 5A, so that you can do alphabetic ordering by sorting the data in increasing numerical order.
- 2) The computer draws no distinction between printing and non-printing characters. This distinction is only made by I/O devices.
- 3) An ASCII device will only handle ASCII data. To print a 7 on an ASCII printer, the microprocessor must send hex 37 to the printer; hex 07 is the 'bell' character. Similarly, the microprocessor will receive the character 9 from an ASCII keyboard as hex 39; hex 09 is the 'tab' character.
- 4) Some ASCII devices do not use the full character set. For example, control characters and lower-case letters may be ignored or printed as spaces or question marks.
- 5) Some widely used ASCII characters are:
  - 0A<sub>16</sub> - line feed (LF)
  - 0D<sub>16</sub> - carriage return (CR)
  - 20<sub>16</sub> - space
  - 3F<sub>16</sub> - ?
  - 7F<sub>16</sub> - rub out or delete character

6-2 6800 Assembly Language Programming

Table 6-1. Hex-ASCII Table

| Hex MSD \ Hex LSD | 0   | 1   | 2  | 3 | 4 | 5 | 6 | 7   |
|-------------------|-----|-----|----|---|---|---|---|-----|
| 0                 | NUL | DLE | SP | 0 | @ | P | . | p   |
| 1                 | SOH | DC1 | !  | 1 | A | Q | a | q   |
| 2                 | STX | DC2 | "  | 2 | B | R | b | r   |
| 3                 | ETX | DC3 | #  | 3 | C | S | c | s   |
| 4                 | EOT | DC4 | \$ | 4 | D | T | d | t   |
| 5                 | ENQ | NAK | %  | 5 | E | U | e | u   |
| 6                 | ACK | SYN | &  | 6 | F | V | f | v   |
| 7                 | BEL | ETB | '  | 7 | G | W | g | w   |
| 8                 | BS  | CAN | (  | 8 | H | X | h | x   |
| 9                 | HT  | EM  | )  | 9 | I | Y | i | y   |
| A                 | LF  | SUB | *  | : | J | Z | j | z   |
| B                 | VT  | ESC | +  | : | K | [ | k | {   |
| C                 | FF  | FS  | .  | < | L | \ | l |     |
| D                 | CR  | GS  | -  | = | M | ] | m | }   |
| E                 | SO  | RS  | .  | > | N | ^ | n | ~   |
| F                 | SI  | US  | /  | ? | O | _ | o | DEL |

**EXAMPLES**

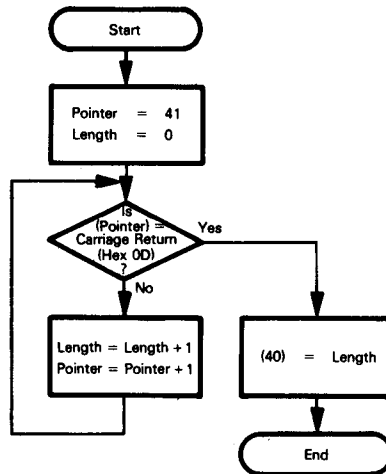
**Length of a String of Characters**

**Purpose:** Determine the length of a string of ASCII characters (7 bits with most significant bit 0). The string starts in memory location 0041; the end of the string is marked by a carriage return character ('CR', hex 0D). Place the length of the string (excluding the carriage return) in memory location 0040.

**Sample Problems:**

- a.           (0041) = 0D  
           Result: (0040) = 00, since the first character is a carriage return.
- b.           (0041) = 52 'R'  
           (0042) = 41 'A'  
           (0043) = 54 'T'  
           (0044) = 48 'H'  
           (0045) = 45 'E'  
           (0046) = 52 'R'  
           (0047) = 0D CR  
           Result: (0040) = 06

**Flowchart:**



**Source Program:**

```

CLR B      STRING LENGTH = ZERO
LDX  #41   POINTER = START OF STRING
LDAA #0D   GET ASCII CARRIAGE RETURN FOR COMPARISON
CHKCR CMPA X IS CHARACTER A CARRIAGE RETURN?
BEQ  DONE YES, END OF STRING
INCB      NO, ADD 1 TO STRING LENGTH
INX
BRA  CHKCR TRY NEXT CHARACTER
DONE STAB $40 SAVE STRING LENGTH
SWI
    
```

**Object Program:**

| Memory Address (Hex) | Memory Contents (Hex) | Instruction (Mnemonic) |
|----------------------|-----------------------|------------------------|
| 0000                 | 5F                    | CLRB                   |
| 0001                 | CE 0041               | LDX #41                |
| 0004                 | 86 0D                 | LDAA #0D               |
| 0006                 | A1 00                 | CHKCR CMPA X           |
| 0008                 | 27 04                 | BEQ DONE               |
| 000A                 | 5C                    | INCB                   |
| 000B                 | 08                    | INX                    |
| 000C                 | 20 F8                 | BRA CHKCR              |
| 000E                 | D7 40                 | DONE STAB \$40         |
| 0010                 | 3F                    | SWI                    |

The carriage return (CR) is just another ASCII character (hex 0D) as far as the computer is concerned. The fact that the output device treats the carriage return as a control character rather than as a printing character does not affect the computer.

## 6-4 6800 Assembly Language Programming

The Compare instruction, CMPA, sets the flags as if a subtraction had been performed, but leaves the carriage return character in Accumulator A for later comparisons. The Zero (Z) flag is affected as follows:

Z = 1 if the character in the string is a carriage return

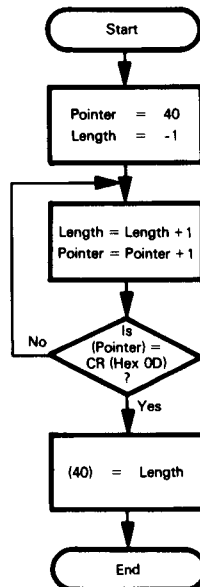
Z = 0 if it is not a carriage return

The instruction INCB adds 1 to the string length counter in Accumulator B. CLRB initializes this counter to zero before the loop begins. Remember to initialize variables before using them in a loop.

This loop does not terminate because a counter is decremented to zero. The computer will simply continue examining characters until it finds a carriage return. You may have to place a maximum count in a loop like this to avoid problems with erroneous strings that do not contain a carriage return. What would happen if the example program were used with such a string?

Note that, by rearranging the logic and changing the initial conditions, you can shorten the program and decrease its execution time. If we adjust the flowchart so that the program increments the Counter and Pointer before it looks for the carriage return, only one Jump instruction is necessary instead of two. The new flowchart and program are as follows:

### Flowchart:



**Source Program:**

```

LDX    #$40    POINTER = BYTE BEFORE STRING
LDAB   #-1     STRING LENGTH = -1
LDAA   #$0D    GET ASCII CARRIAGE RETURN FOR COMPARISON
CHKCR  INX
INCB                   ADD 1 TO STRING LENGTH
CMPA   X          IS CHARACTER A CARRIAGE RETURN?
BNE    CHKCR     NO, TRY NEXT CHARACTER
STAB   $40       YES, SAVE STRING LENGTH
SWI

```

**Object Program:**

| Memory Address<br>(Hex) | Memory Contents<br>(Hex) | Instruction<br>(Mnemonic) |
|-------------------------|--------------------------|---------------------------|
| 0000                    | CE 0040                  | LDX    #\$40              |
| 0003                    | C6 FF                    | LDAB   #-1                |
| 0005                    | 86 0D                    | LDAA   #\$0D              |
| 0007                    | 08                       | CHKCR INX                 |
| 0008                    | 5C                       | INCB                      |
| 0009                    | A1 00                    | CMPA   X                  |
| 000B                    | 26 FA                    | BNE    CHKCR              |
| 000D                    | D7 40                    | STAB   \$40               |
| 000F                    | 3F                       | SWI                       |

**Find First Non-Blank Character**

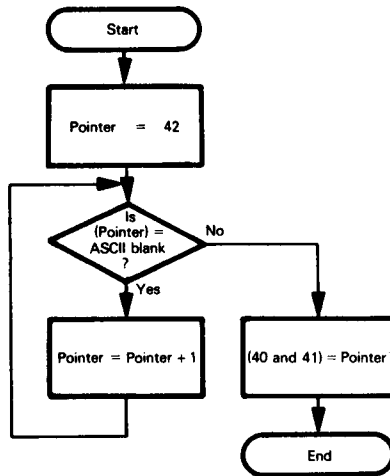
**Purpose:** Search a string of ASCII characters (7 bits with most significant bit zero) for a non-blank character. The string starts in memory location 0042. Place the address of the first non-blank character in memory locations 0040 and 0041 (most significant bits in 0040). A blank character is hex 20 in ASCII.

**Sample Problems:**

- a. (0042) = 37 ASCII 7  
 Result: (0040) = 00  
 (0041) = 42, since memory location 0042 contains a non-blank character.
- b. (0042) = 20 SP  
 (0043) = 20 SP  
 (0044) = 20 SP  
 (0045) = 46 F  
 (0046) = 20 SP  
 Result: (0040) = 00  
 (0041) = 45, since the three previous memory locations all contain blanks.

## 6-6 6800 Assembly Language Programming

### Flowchart:



### Source Program:

```

LDX    #$42    POINTER = START OF STRING
LDAA   #$20    GET ASCII SPACE FOR COMPARISON
CHBLK  CMPA    X    IS CHARACTER A SPACE?
      BNE    DONE  NO. THROUGH
      INX
      BRA    CHBLK YES. EXAMINE NEXT CHARACTER
DONE   STX    $40  SAVE ADDRESS OF FIRST NON-BLANK CHARACTER
      SWI
  
```

### Object Program:

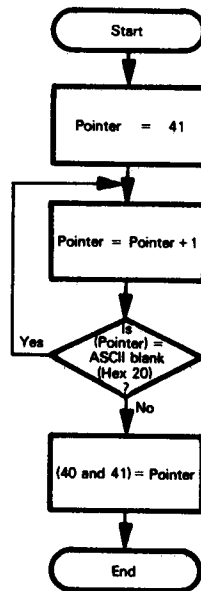
| Memory Address (Hex) | Memory Contents (Hex) | Instruction (Mnemonic) |
|----------------------|-----------------------|------------------------|
| 0000                 | CE 0042               | LDX    #\$42           |
| 0003                 | 86 20                 | LDAA   #\$20           |
| 0005                 | A1 00                 | CHBLK  CMPA    X       |
| 0007                 | 26 03                 | BNE    DONE            |
| 0009                 | 08                    | INX                    |
| 000A                 | 20 F9                 | BRA    CHBLK           |
| 000C                 | DF 40                 | DONE   STX    \$40     |
| 000E                 | 3F                    | SWI                    |

Looking for spaces in strings is a common task. Spaces often are eliminated from strings when they are used simply to increase readability or to fit particular formats. It is obviously wasteful to store and transmit beginning, ending or extra spaces, particularly if you are paying for the communications capability and memory required. Data and program entry, however, are much simpler if extra spaces are tolerated. Microcomputers are often used in situations like this to convert data between forms that are easy for humans to use and forms that are efficiently handled on computers and communications lines.

The computer treats the space code (hex 20) just like any other character.

The instruction STX stores the contents of the Index register (most significant bits first) at the specified address and the next higher address. So STX \$40 stores the 16-bit Index register in memory locations 0040 and 0041. Note that STX can use an 8-bit address on page zero.

Again, if we alter the initial conditions so that the loop control section precedes the processing section, we can reduce the number of bytes in the program and decrease the loop's execution time. The rearranged flowchart is:



**Source Program:**

```

LDX    #$41    POINT TO BYTE BEFORE STRING
LDAA   #$20    GET ASCII SPACE FOR COMPARISON
CHBLK  INX
        CMPA   X    IS CHARACTER A SPACE?
        BEQ   CHBLK YES, KEEP EXAMINING CHARACTERS
        STX   $40  NO, SAVE ADDRESS OF FIRST NON-BLANK
                    CHARACTER
        SWI
    
```

**Object Program:**

| Memory Address (Hex) | Memory Contents (Hex) | Instruction (Mnemonic) |
|----------------------|-----------------------|------------------------|
| 0000                 | CE 0041               | LDX    #\$41           |
| 0003                 | 86 20                 | LDAA   #\$20           |
| 0005                 | 08                    | CHBLK INX              |
| 0006                 | A1 00                 | CMPA   X               |
| 0008                 | 27 FB                 | BEQ   CHBLK            |
| 000A                 | DF 40                 | STX   \$40             |
| 000C                 | 3F                    | SWI                    |

### Replace Leading Zeros with Blanks

**Purpose:** Edit a string of ASCII decimal characters by replacing all leading zeros with blanks. The string starts in memory location 0041; assume that it consists entirely of ASCII-coded decimal digits. The length of the string is in memory location 0040.

**Sample Problems:**

a.                   (0040) = 02  
                      (0041) = 36 ASCII 6

The program leaves the string unchanged, since the leading digit is not zero.

b.                   (0040) = 08  
                      (0041) = 30 ASCII 0  
                      (0042) = 30 ASCII 0  
                      (0043) = 38 ASCII 8  
Result: (0041) = 20 ASCII SP  
          (0042) = 20 ASCII SP

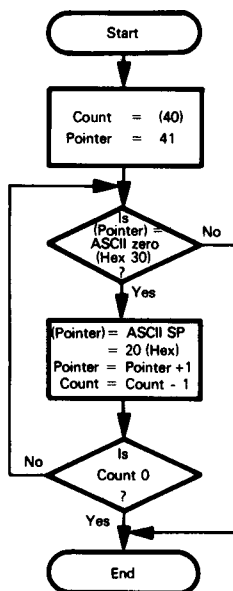
The two leading ASCII zeros have been replaced by ASCII blanks.

**Source Program:**

```

LDAA #0      GET ASCII ZERO FOR COMPARISON
LDAB #$20   GET ASCII BLANK FOR STORAGE
LDX   #$41   POINTER = START OF ARRAY
CHKZ  CMPA  X   IS ELEMENT ASCII ZERO?
      BNE  DONE NO, DONE
      STAB X    YES, REPLACE ZERO WITH BLANK
      INX
      DEC  $40
      BNE  CHKZ
DONE  SWI
    
```

An apostrophe before a character indicates ASCII.

**Flowchart:****Object Program:**

| Memory Address<br>(Hex) | Memory Contents<br>(Hex) | Instruction<br>(Mnemonic) |
|-------------------------|--------------------------|---------------------------|
| 0000                    | 86 30                    | LDAA #0                   |
| 0002                    | C6 20                    | LDAB #20                  |
| 0004                    | CE 0041                  | LDX #41                   |
| 0007                    | A1 00                    | CHKZ                      |
| 0009                    | 26 08                    | BNE DONE                  |
| 000B                    | E7 00                    | STAB X                    |
| 000D                    | 08                       | INX                       |
| 000E                    | 7A 0040                  | DEC \$40                  |
| 0011                    | 26 F4                    | BNE CHKZ                  |
| 0013                    | 3F                       | DONE SWI                  |

You will frequently want to edit decimal strings before they are printed or displayed, in order to improve their appearance. Common editing tasks include eliminating leading zeros, justifying numbers, adding signs or other identifying markers, and rounding. Clearly, printed numbers like 0006 or \$27.34382 can be confusing and annoying.

Here the loop has two exits -- one if the processor finds a non-zero digit and the other if it has examined the entire string.

You can place a single ASCII character in a 6800 assembly language program by preceding it with an apostrophe ('). You can place a string of ASCII characters in program memory by using the FCC (Form Constant Characters) pseudo-operation on the 6800

## 6-10 6800 Assembly Language Programming

Assembler. Either of the following forms is acceptable:

| <u>Label</u> | <u>Operation Code</u> | <u>Operand</u> |
|--------------|-----------------------|----------------|
| EMSG         | FCC                   | 5,ERROR        |
| EMSG         | FCC                   | /ERROR/        |

In the first form, the number specifies how many characters are in the string; it is followed by a comma. In the second form, any single character delimiter may mark the beginning and end of the string.

All digits in the string are assumed to be ASCII; that is, the digits are hex 30 through 39 rather than the ordinary decimal 0 to 9. The conversion from decimal to ASCII is simply a matter of adding hex 30 to the decimal digit.

You may have to be careful, when blanking leading zeros, to leave one zero in the event that all the digits are zero. How would you do this?

Note that each ASCII digit requires eight bits, as compared to four for a BCD digit. Therefore, ASCII is an expensive format in which to store or transmit numerical data.

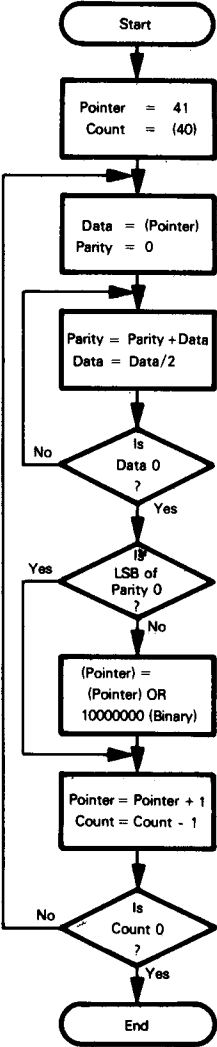
### Add Even Parity to ASCII Characters

**Purpose:** Add even parity to a string of 7-bit ASCII characters. The length of the string is in memory location 0040 and the string itself begins in memory location 0041. Place even parity in the most significant bit of each character by setting the most significant bit to 1 if that makes the total number of 1 bits in the word an even number.

#### Sample Problem:

```
(0040) = 06
(0041) = 31
(0042) = 32
(0043) = 33
(0044) = 34
(0045) = 35
(0046) = 36
Result: (0041) = B1
        (0042) = B2
        (0043) = 33
        (0044) = B4
        (0045) = 35
        (0046) = 36
```

Flowchart:



## 6-12 6800 Assembly Language Programming

### Source Program:

```

LDX    #$41          POINTER = START OF DATA BLOCK
GTDATA LDAB   X          GET DATA FROM BLOCK
        CLRA          PARITY = ZERO
CALPAR  ABA          PARITY = PARITY + DATA
        LSRB          SHIFT DATA RIGHT 1 BIT
        BNE    CALPAR
        LSRA          MOVE PARITY TO CARRY
        BCC    CHCNT   GO ON IF PARITY ALREADY EVEN
LDAA   #%10000000    MAKE PARITY EVEN BY SETTING MSB
        ORAA   X
        STAA  X
CHCNT  INX
        DEC   $40
        BNE  GTDATA
        SWI

```

### Object Program:

| Memory Address<br>(Hex) | Memory Contents<br>(Hex) | Instruction<br>(Mnemonic) |
|-------------------------|--------------------------|---------------------------|
| 0000                    | CE 0041                  | LDX    #\$41              |
| 0003                    | E6 00                    | GTDATA LDAB X             |
| 0005                    | 4F                       | CLRA                      |
| 0006                    | 1B                       | CALPAR ABA                |
| 0007                    | 54                       | LSRB                      |
| 0008                    | 26 FC                    | BNE    CALPAR             |
| 000A                    | 44                       | LSRA                      |
| 000B                    | 24 06                    | BCC    CHCNT              |
| 000D                    | 86 80                    | LDAA   #%10000000         |
| 000F                    | AA 00                    | ORAA   X                  |
| 0011                    | A7 00                    | STAA  X                   |
| 0013                    | 08                       | CHCNT INX                 |
| 0014                    | 7A 0040                  | DEC   \$40                |
| 0017                    | 26 EA                    | BNE  GTDATA               |
| 0019                    | 3F                       | SWI                       |

Parity is often added to ASCII characters before they are transmitted on noisy communication lines, so as to provide a simple error-checking facility. Parity detects all single-bit errors but does not allow error correction; i.e., you know that an error occurred when the received parity is wrong but you cannot tell which bit was changed.

The procedure for calculating parity is to add all the bits together and see if the result is even or odd. This determines if the number of one bits in the data is even or odd.

LSR clears the most significant bit of the number being shifted. Therefore, the result of a series of LSR instructions will eventually be zero, regardless of the original value of the number (try it).

The following sequence after BNE CALPAR will also work (why?).

```

LSRA          MOVE PARITY TO CARRY
RORB          MOVE INTO MSB OF B
ORAB   X      MOVE INTO MSB OF DATA
STAB   X

```

Remember that B must have contained zero at this point, or else the instruction BNE CALPAR would have caused a branch.

Logically ORing a bit with one produces a result of one regardless of the original value of the bit.

### Pattern Match

**Purpose:** Compare two strings of ASCII characters to see if they are the same. The length of the strings is in memory location 0041; one string starts in memory location 0042 and the other in memory location 0052. If the two strings match, clear memory location 0040; otherwise, set memory location 0040 to FF hex (all ones).

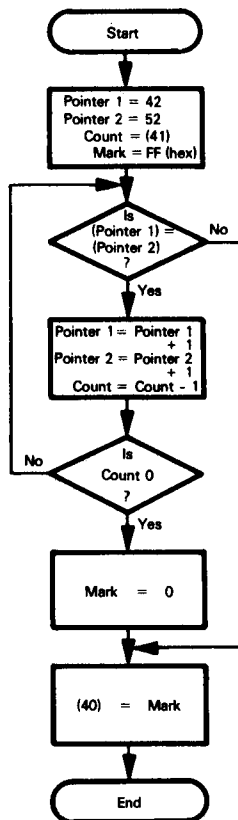
#### Sample Problems:

- a.
- |        |   |        |
|--------|---|--------|
| (0041) | = | 03     |
| (0042) | = | 43 'C' |
| (0043) | = | 41 'A' |
| (0044) | = | 54 'T' |
| (0052) | = | 43 'C' |
| (0053) | = | 41 'A' |
| (0054) | = | 54 'T' |
- Result: (0040) = 00, since the two strings are the same.
- b.
- |        |   |        |
|--------|---|--------|
| (0041) | = | 03     |
| (0042) | = | 52 'R' |
| (0043) | = | 41 'A' |
| (0044) | = | 54 'T' |
| (0052) | = | 43 'C' |
| (0053) | = | 41 'A' |
| (0054) | = | 54 'T' |
- Result: (0040) = FF, since the first characters in the strings differ.

Note: The matching process ends as soon as the CPU finds a difference -- the rest of the strings need not be examined.

6-14 6800 Assembly Language Programming

Flowchart:



Source Program:

|       |      |        |                                    |
|-------|------|--------|------------------------------------|
|       | LDAA | #\$FF  |                                    |
|       | STAA | \$40   | MARK = FF HEX FOR INEQUALITY       |
|       | LDAB | \$41   | COUNT = LENGTH OF STRINGS          |
|       | LDX  | #\$42  | POINT TO START OF STRINGS          |
| PATTC | LDAA | X      | GET ELEMENT OF STRING 1            |
|       | CMPA | \$10,X | IS IT SAME AS ELEMENT OF STRING 2? |
|       | BNE  | DONE   | NO, NO MATCH                       |
|       | INX  |        |                                    |
|       | DECB |        | ALL CHARACTERS CHECKED?            |
|       | BNE  | PATTC  | NO, CHECK NEXT CHARACTERS          |
|       | CLR  | \$40   | YES, MARK = 0 FOR EQUALITY         |
| DONE  | SWI  |        |                                    |

**Object Program:**

| Memory Address<br>(Hex) | Memory Contents<br>(Hex) | Instruction<br>(Mnemonic) |
|-------------------------|--------------------------|---------------------------|
| 0000                    | 86 FF                    | LDAA #\$FF                |
| 0002                    | 97 40                    | STAA \$40                 |
| 0004                    | D6 41                    | LDAB \$41                 |
| 0006                    | CE 0042                  | LDX #\$42                 |
| 0009                    | A6 00                    | PATTC LDAA X              |
| 000B                    | A1 10                    | CMPA \$10,X               |
| 000D                    | 26 07                    | BNE DONE                  |
| 000F                    | 08                       | INX                       |
| 0010                    | 5A                       | DECB                      |
| 0011                    | 26 F6                    | BNE PATTC                 |
| 0013                    | 7F 0040                  | CLR \$40                  |
| 0016                    | 3F                       | DONE SWI                  |

Matching strings of ASCII characters is an essential part of looking for commands, recognizing names, identifying variables or operation codes in assemblers and compilers, finding files, and many other tasks.

The Index register is used to access both strings -- only the offsets are different. This method would not work, however, if the strings were separated in memory by more than 255 locations, since the offset is only eight bits long.

The instruction CMPA \$10,X compares Accumulator A to the contents of the memory location whose address is 10 (hex) plus the contents of the Index register.

You can use the instruction COM (ones complement) to complement the contents of a memory location, but no short direct addresses are allowed -- just as with Clear, Shift, etc.

This program could take advantage of the fact that Accumulator B contains zero after all the characters have been examined. Otherwise, the execution of the BNE PATTC instruction would cause a branch. Therefore, we can store Accumulator B in memory location 0040 (STAB \$40) to indicate that a match has been found. Another possibility is INC \$40. Which do you prefer and why?

**PROBLEMS****1) Length of a Teletypewriter Message**

**Purpose:** Determine the length of an ASCII message. All characters are 7-bit ASCII with MSB = 0. The string of characters in which the message is embedded starts in memory location 0041. The message itself starts with an ASCII STX character (hex 02) and ends with ETX (hex 03). Place the length of the message (the number of characters between the STX and the ETX but including neither) in memory location 0040.

**Sample Problem:**

```

(0041) = 40
(0042) = 02 STX
(0043) = 47 'G'
(0044) = 4F 'O'
(0045) = 03 ETX
Result: (0040) = 02, since there are two characters between
the STX in location 0042 and ETX in
location 0045.

```

## 2) Find Last Non-Blank Character

**Purpose:** Search a string of ASCII characters for the last non-blank character. The string starts in memory location 0042 and ends with a carriage return character (hex 0D). Place the address of the last non-blank character in memory locations 0040 and 0041 (most significant bits in 0040).

### Sample Problems:

- a.
- |                |   |    |                                                                             |
|----------------|---|----|-----------------------------------------------------------------------------|
| (0042)         | = | 37 | '7'                                                                         |
| (0043)         | = | 0D | CR                                                                          |
| Result: (0040) | = | 00 |                                                                             |
| (0041)         | = | 42 | , since the last (and only) non-blank character is in memory location 0042. |
- b.
- |                |   |    |     |
|----------------|---|----|-----|
| (0042)         | = | 41 | 'A' |
| (0043)         | = | 20 | SP  |
| (0044)         | = | 48 | 'H' |
| (0045)         | = | 41 | 'A' |
| (0046)         | = | 54 | 'T' |
| (0047)         | = | 20 | SP  |
| (0048)         | = | 20 | SP  |
| (0049)         | = | 0D | CR  |
| Result: (0040) | = | 00 |     |
| (0041)         | = | 46 |     |

## 3) Truncate Decimal String to Integer Form

**Purpose:** Edit a string of ASCII decimal characters by replacing all digits to the right of the decimal point with ASCII blanks (hex 20). The string starts in memory location 0041 and is assumed to consist entirely of ASCII-coded decimal digits and a possible decimal point (hex 2E). The length of the string is in memory location 0040. If no decimal point appears in the string, assume that the decimal point is implicitly at the far right.

### Sample Problems:

- a.
- |                |   |    |     |
|----------------|---|----|-----|
| (0040)         | = | 04 |     |
| (0041)         | = | 37 | '7' |
| (0042)         | = | 2E | '.' |
| (0043)         | = | 38 | '8' |
| (0044)         | = | 31 | '1' |
| Result: (0041) | = | 37 | '7' |
| (0042)         | = | 2E | '.' |
| (0043)         | = | 20 | SP  |
| (0044)         | = | 20 | SP  |
- b.
- |         |   |    |                                            |
|---------|---|----|--------------------------------------------|
| (0040)  | = | 03 |                                            |
| (0041)  | = | 26 | '6'                                        |
| (0042)  | = | 37 | '7'                                        |
| (0043)  | = | 31 | '1'                                        |
| Result: |   |    | Unchanged, as number is assumed to be 671. |

#### 4) Check Even Parity in ASCII Characters

**Purpose:** Check even parity in a string of ASCII characters. The length of the string is in memory location 0041, and the string itself begins in memory location 0042. If the parity of all the characters in the string is correct, clear memory location 0040; otherwise, place FF hex (all ones) in memory location 0040.

**Sample Problems:**

- a.                   (0041) = 03  
                       (0042) = B1  
                       (0043) = B2  
                       (0044) = 33  
           Result: (0040) = 00, since all the characters have even parity.
- b.                   (0041) = 03  
                       (0042) = B1  
                       (0043) = B6  
                       (0044) = 33  
           Result: (0040) = FF, since the character in memory location 0042 does not have even parity.

#### 5) String Comparison

**Purpose:** Compare two strings of ASCII characters to see which is larger (i.e., which follows the other in 'alphabetical' ordering). The length of the strings is in memory location 0041; one string starts in memory location 0042 and the other in memory location 0052. If the string starting in memory location 0042 is greater than or equal to the other string, clear memory location 0040; otherwise, set memory location 0040 to FF hex (all ones).

**Sample Problems:**

- a.                   (0041) = 03  
                       (0042) = 43 'C'  
                       (0043) = 41 'A'  
                       (0044) = 54 'T'  
                       (0052) = 42 'B'  
                       (0053) = 41 'A'  
                       (0054) = 54 'T'  
           Result: (0040) = 00, since CAT is 'larger' than BAT.
- b.                   (0041) = 03  
                       (0042) = 43 'C'  
                       (0043) = 41 'A'  
                       (0044) = 54 'T'  
                       (0052) = 43 'C'  
                       (0053) = 41 'A'  
                       (0054) = 54 'T'  
           Result: (0040) = 00, since the two strings are equal.

**6-18** 6800 Assembly Language Programming

c.           (0041) = 03  
              (0042) = 43 'C'  
              (0043) = 41 'A'  
              (0044) = 54 'T'  
              (0052) = 43 'C'  
              (0053) = 55 'U'  
              (0054) = 54 'T'  
Result: (0040) = FF, since CUT is 'larger' than CAT.

# Chapter 7

## CODE CONVERSION

Code conversion is a continual problem for microprocessors. Peripherals provide data in ASCII, BCD, or various special codes. The computer may be required to convert this data to binary or decimal in order to process it. Output devices require data in ASCII, BCD, seven-segment, or other codes. Therefore, the computer must convert the results to a suitable form after the processing is completed. Some code conversions are simple to perform in hardware; for example, standard integrated circuits exist for converting BCD to seven-segment. Universal Asynchronous Receiver/Transmitters (UARTs) convert data between ASCII and teletypewriter formats. However, the program may still be required to perform much of the conversion work.

### EXAMPLES

#### Hex to ASCII

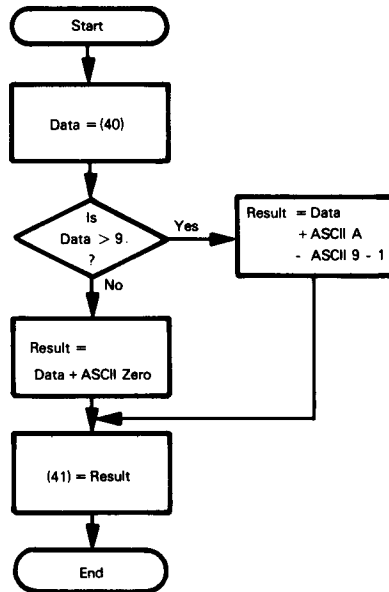
**Purpose:** Convert the contents of memory location 0040 to an ASCII character. Memory location 0040 contains a single hexadecimal digit (the four most significant bits are zero). Store the ASCII character in memory location 0041.

#### Sample Problems:

- a.                   (0040) = 0C  
Result: (0041) = 43 'C'
- b.                   (0040) = 06  
Result: (0041) = 36 '6'

## 7-2 6800 Assembly Language Programming

### Flowchart:



### Source Program:

```

LDAA $40      GET DATA
CMPA #9       IS DATA 9 OR LESS?
BLS ASCZ
ADDA #'A-'9-1 NO. ADD OFFSET FOR LETTERS
ASCZ ADDA #'0  CONVERT DATA TO ASCII
STAA $41     STORE ASCII DATA
SWI
  
```

### Object Program:

| Memory Address (Hex) | Memory Contents (Hex) | Instruction (Mnemonic) |
|----------------------|-----------------------|------------------------|
| 0000                 | 96 40                 | LDAA \$40              |
| 0002                 | 81 09                 | CMPA #9                |
| 0004                 | 23 02                 | BLS ASCZ               |
| 0006                 | 8B 07                 | ADDA #'A-'9-1          |
| 0008                 | 8B 30                 | ASCZ ADDA #'0          |
| 000A                 | 97 41                 | STAA \$41              |
| 000C                 | 3F                    | SWI                    |

In this program, the basic idea is to add ASCII 0 to all the hexadecimal digits. This addition converts the decimal digits correctly; however, there is a break between ASCII 9 (39 hex) and ASCII A (41 hex) which must be considered. This break must be added to the nondecimal digits; i.e., A, B, C, D, E, and F. This is accomplished by the ADDA instruction, which adds the offset 'A-'9-1 to the contents of Accumulator A. Can you explain why the offset is 'A-'9-1?

Note that the addition terms are placed in the assembly language program in ASCII form (a single quotation mark precedes an ASCII character). The offset for the letters is left as an arithmetic expression. The effort is to make the purpose of the factors as clear as possible in the assembly language listing. The extra assembly time is a very small price to pay for a large increase in clarity.

This routine could be used in a variety of programs: for example, monitor programs must convert hexadecimal digits to ASCII in order to display the contents of memory locations in hexadecimal on an ASCII printer or CRT display.

Another (quicker) conversion method that requires no conditional jumps at all is the following program, described by Allison in Computer magazine.<sup>1</sup>

```
LDAA  $40    GET HEX DIGIT
ADDA  #$90   DECIMAL ADD 90 BCD
DAA
ADCA  #$40   DECIMAL ADD 40 BCD + CARRY
DAA
STAA  $41    STORE ASCII DIGIT
SWI
```

Try this program on some digits. Can you explain why it works?

### Decimal to Seven-Segment

**Purpose:** Convert the contents of memory location 0041 to a seven-segment code in memory location 0042. If memory location 0041 does not contain a single decimal digit, clear memory location 0042.

Seven-segment table: The following table can be used to convert decimal numbers to seven-segment code. The seven-segment code is organized with the most significant bit always zero followed by the code (1 = on, 0 = off) for segments g, f, e, d, c, b, and a (see Figure 7-1).

Note that the table uses 7D for 6 rather than the alternative (top bar off) 7C to avoid confusion with lower case b, and 6F for 9 rather than 67 (bottom bar off) for no particular reason.

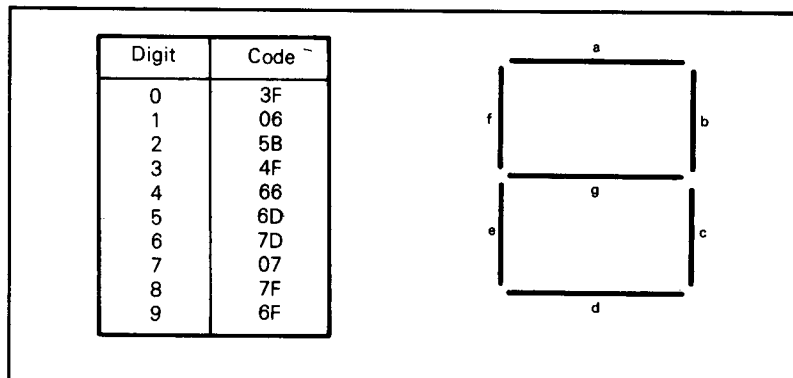


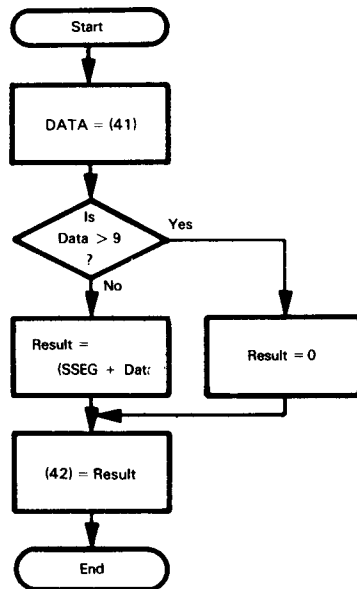
Figure 7-1. Seven-Segment Arrangement

7-4 6800 Assembly Language Programming

**Sample Problems:**

- a.               (0041) = 03  
                   Result: (0042) = 4F
- b.               (0041) = 28  
                   Result: (0042) = 00

**Flowchart:**



Note that the addition of base address SSEG and index (Data) produces the address which contains the answer.

**Source Program:**

|      |      |                              |                                    |
|------|------|------------------------------|------------------------------------|
|      | CLR  | \$42                         | ERROR CODE BLANKS DISPLAY          |
|      | CLR  | \$40                         | MSBS OF TABLE ADDRESS = 0          |
|      | LDAA | \$41                         | GET DATA                           |
|      | CMPA | #9                           | IS DATA GREATER THAN 9?            |
|      | BHI  | DONE                         | YES, LEAVE ERROR CODE FOR DISPLAY  |
|      | LDX  | \$40                         | GET FIXED TABLE OFFSET             |
|      | LDAA | SSEG,X                       | CONVERT DATA TO SEVEN-SEGMENT CODE |
|      | STAA | \$42                         | SAVE SEVEN-SEGMENT CODE            |
| DONE | SWI  |                              |                                    |
| SSEG | FCB  | \$3F, \$06, \$5B, \$4F, \$66 |                                    |
|      | FCB  | \$6D, \$7D, \$07, \$7F, \$6F |                                    |

**Object Program:**

| Memory Address<br>(Hex) | Memory Contents<br>(Hex) | Instruction<br>(Mnemonic)         |
|-------------------------|--------------------------|-----------------------------------|
| 0000                    | 7F 0042                  | CLR \$42                          |
| 0003                    | 7F 0040                  | CLR \$40                          |
| 0006                    | 96 41                    | LDAA \$41                         |
| 0008                    | 81 09                    | CMPA #9                           |
| 000A                    | 22 06                    | BHI DONE                          |
| 000C                    | DE 40                    | LDX \$40                          |
| 000E                    | A6 13                    | LDAA SSEG,X                       |
| 0010                    | 97 42                    | STAA \$42                         |
| 0012                    | 3F                       | DONE SWI                          |
| 0013                    | 3F 06 5B 4F 66           | SSEG FCB \$3F,\$06,\$5B,\$4F,\$66 |
| 0018                    | 6D 7D 07 7F 6F           | FCB \$6D,\$7D,\$07,\$7F,\$6F      |

Tables are often used to perform code conversions which are more complex than the previous example. Such tables typically contain all the results organized according to the input data (the first entry is the code corresponding to the number zero).

Seven-segment displays provide recognizable forms of the decimal digits and a few letters and other characters. Calculator-type seven-segment displays are inexpensive, easy to combine, and use little power. However, the seven-segment coded digits are somewhat difficult to read.

The indexed Load instruction adds the index (the digit to be displayed) to the base address of the seven-segment table to get the address of the desired code. Note that the 16-bit Index register contains the data as its eight least significant bits, and the most significant bits of the starting address of the table as its eight most significant bits. This odd arrangement is necessary because the offset included with the instruction is only eight bits long and can therefore only hold the eight least significant bits of the starting address of the table.

A blank display (code 00) indicates an error.

The assembly language pseudo-operation FCB (Form Constant Byte) places constant data in program memory. Such data may include tables, headings, error messages, priming messages, format characters, thresholds, etc. The label attached to an FCB pseudo-operation is assigned the value of the address in which the first byte of data is placed.

The Assembler simply places the data for the table in memory. Note that one FCB pseudo-operation can fill many memory locations.

A more general program would allow the table to be placed anywhere in memory. If the table address is SSEGM (8 MSBs) and SSEGL (8 LSBs), the instruction CLR \$40 must be replaced by

```
LDAA #SSEGM GET MSBS OF TABLE ADDRESS
STAA $40
```

Why is this change necessary?

**ASCII to Decimal**

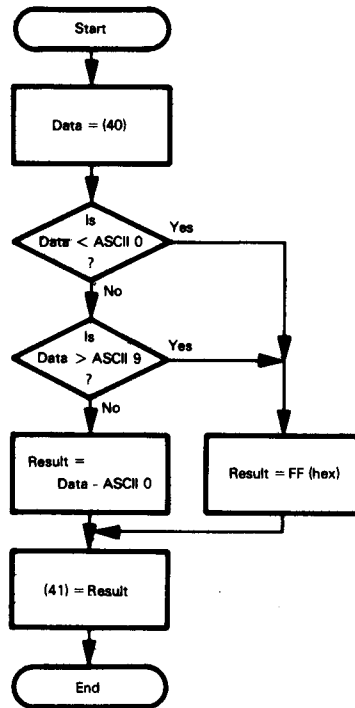
**Purpose:** Convert the contents of memory location 0040 from an ASCII character to a decimal digit and store the result in memory location 0041. If the contents of memory location 0040 are not the ASCII representation of a decimal digit, set the contents of memory location 0041 to FF (hex).

## 7-6 6800 Assembly Language Programming

### Sample Problems:

- a.           (0040) = 37 (ASCII 7)  
    Result: (0041) = 07
- b.           (0040) = 55  
    Result: (0041) = FF

### Flowchart:



### Source Program:

|       |       |                              |
|-------|-------|------------------------------|
| LDAB  | #\$FF | MARKER = FF FOR ERROR        |
| LDAA  | \$40  |                              |
| SUBA  | #'0   | SUBTRACT ASCII ZERO          |
| BCS   | STDEC | NOT DIGIT IF RESULT NEGATIVE |
| CMPA  | #9    | COMPARE REMAINDER TO 9       |
| BHI   | STDEC | NOT DIGIT IF GREATER THAN 9  |
| TAB   |       | DIGIT TO MARKER              |
| STDEC | STAB  | \$41                         |
|       | SWI   | SAVE DIGIT OR ERROR CODE     |

Note: ' means ASCII character in 6800 assembly language.

**Object Program:**

| Memory Address<br>(Hex) | Memory Contents<br>(Hex) | Instruction<br>(Mnemonic) |
|-------------------------|--------------------------|---------------------------|
| 0000                    | C6 FF                    | LDAB #FF                  |
| 0002                    | 96 40                    | LDAA \$40                 |
| 0004                    | 80 30                    | SUBA #'0                  |
| 0006                    | 25 05                    | BCS STDEC                 |
| 0008                    | 81 09                    | CMPA #9                   |
| 000A                    | 22 01                    | BHI STDEC                 |
| 000C                    | 16                       | TAB                       |
| 000D                    | D7 41                    | STDEC STAB \$41           |
| 000F                    | 3F                       | SWI                       |

This program handles ASCII-coded characters just like ordinary numbers. Note that the decimal digits and the letters form groups of consecutive codes. Strings of letters (like names) can be alphabetized by placing their ASCII representations in increasing numerical order (ASCII B = ASCII A + 1, for example).

Subtracting ASCII zero (30 hex) from any ASCII decimal digit gives the BCD representation of that digit.

The instruction BHI (Branch-on-Higher) causes a branch if both the carry and zero bits are zero. This would occur if the Accumulator contents were larger than the other operand in a Compare instruction when both are considered as unsigned binary numbers (neither overflow nor sign is included). BHI and BCC differ only in what happens when the result of a comparison is zero — BCC causes a branch, while BHI does not.

ASCII-to-decimal conversion is necessary when decimal numbers are being entered from an ASCII device such as a teletypewriter or CRT terminal.

The basic idea of the program is to determine if the character is between ASCII 0 and ASCII 9, inclusive. If the character is, it's an ASCII decimal digit, since the digits form a sequence. It may then be converted to decimal simply by subtracting hex 30 (ASCII 0), e.g., ASCII 7 - ASCII 0 = 7 - 0 = 7.

Note that one comparison is done with an actual subtraction (SUBA #'0), since the subtraction is necessary to convert ASCII to decimal. The other comparison is done with an implied subtraction (CMPA #9), since the final result is now in the Accumulator if the original number was valid.

**BCD to Binary**

**Purpose:** Convert two BCD digits in memory locations 0040 and 0041 to a binary number in memory location 0042. The most significant BCD digit is in memory location 0040.

**Sample Problems:**

- a.                   (0040) = 02  
                       (0041) = 09  
                       Result: (0042) = 1D (hex) = 29 (decimal)
- b.                   (0040) = 07  
                       (0041) = 01  
                       Result: (0042) = 47 (hex) = 71 (decimal)

Note: No flowchart is included since the program multiplies the most significant digit by 10 simply by using the formula  $10x = 8x + 2x$ . Multiplying by 2 requires one arithmetic left shift and multiplying by 8 requires three such shifts.

## 7-8 6800 Assembly Language Programming

### Source Program:

```
LDAA    $40    GET MOST SIGNIFICANT DIGIT
ASLA
TAB
ASLA      MULTIPLY MSD BY 2
ASLA      SAVE DOUBLED MSD
ASLA      MULTIPLY MSD BY 8
ABA
ADD      ADD DOUBLED MSD TO GIVE TEN TIMES MSD
ADDA    $41    ADD LEAST SIGNIFICANT DIGIT
STAA    $42    STORE BINARY EQUIVALENT
SWI
```

### Object Program:

| Memory Address<br>(Hex) | Memory Contents<br>(Hex) | Instruction<br>(Mnemonic) |
|-------------------------|--------------------------|---------------------------|
| 0000                    | 96 40                    | LDAA \$40                 |
| 0002                    | 48                       | ASLA                      |
| 0003                    | 16                       | TAB                       |
| 0004                    | 48                       | ASLA                      |
| 0005                    | 48                       | ASLA                      |
| 0006                    | 1B                       | ABA                       |
| 0007                    | 9B 41                    | ADDA \$41                 |
| 0009                    | 97 42                    | STAA \$42                 |
| 000B                    | 3F                       | SWI                       |

BCD entries are converted to binary in order to save on storage and make calculations simpler. However, the conversion may offset some of the advantages of binary storage and arithmetic.

The idea of the program is to replace multiplication by arithmetic left shifts. Shifts are faster and require less program memory than a full software multiplication. Each arithmetic left shift is equivalent to a multiplication by 2. Similarly, an arithmetic right shift is equivalent to a division by 2. How would you use the arithmetic left shift to multiply by 16? by 12? by 7?

BCD numbers require about 20% more storage than do binary numbers. Representing 0 to 999 requires 3 BCD digits (12 bits) and 10 bits in binary (since  $2^{10} = 1024 \sim 1000$ ).

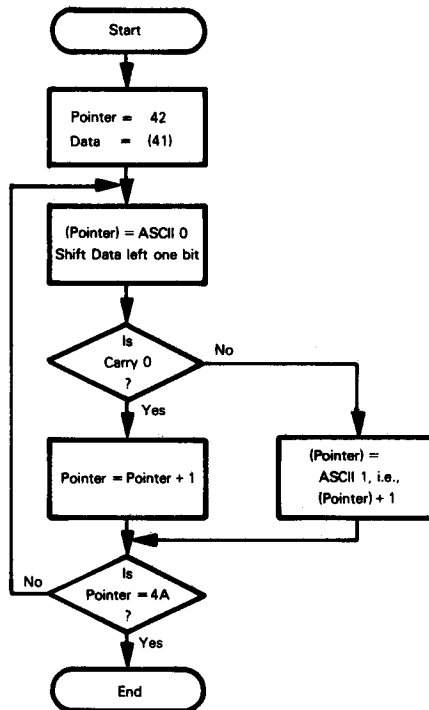
### Convert Binary Number to ASCII String

**Purpose:** Convert the 8-bit binary number in memory location 0041 to eight ASCII characters (either ASCII 0 or ASCII 1) in memory locations 0042 through 0049 (the most significant bit is in 0042).

### Sample Problem:

```
(0041) = D2 = 11010010
Result: (0042) = 31 '1'
        (0043) = 31 '1'
        (0044) = 30 '0'
        (0045) = 31 '1'
        (0046) = 30 '0'
        (0047) = 30 '0'
        (0048) = 31 '1'
        (0049) = 30 '0'
```

## Flowchart:



## Source Program:

|       |      |       |                                    |
|-------|------|-------|------------------------------------|
|       | LDAB | #'0   | GET ASCII ZERO TO STORE IN STRING  |
|       | LDAA | \$41  | GET DATA                           |
|       | LDX  | #\$42 | POINTER = START OF ASCII STRING    |
| CONV  | STAB | X     | PUT ASCII ZERO IN STRING           |
|       | ASLA |       | SHIFT DATA LEFT                    |
|       | BCC  | COUNT | IS NEXT BIT 1?                     |
|       | INC  | X     | YES, MAKE STRING ELEMENT ASCII ONE |
| COUNT | INX  |       |                                    |
|       | CPX  | #\$4A | CHECK FOR CONVERSION COMPLETED     |
|       | BNE  |       |                                    |
|       | SWI  | CONV  |                                    |

**Object Program:**

| Memory Address<br>(Hex) | Memory Contents<br>(Hex) |       | Instruction<br>(Mnemonic) |       |
|-------------------------|--------------------------|-------|---------------------------|-------|
| 0000                    | C6 30                    |       | LDAB                      | #0    |
| 0002                    | 96 41                    |       | LDAA                      | \$41  |
| 0004                    | CE 0042                  |       | LDX                       | #\$42 |
| 0007                    | E7 00                    | CONV  | STAB                      | X     |
| 0009                    | 48                       |       | ASLA                      |       |
| 000A                    | 24 02                    |       | BCC                       | COUNT |
| 000C                    | 6C 00                    |       | INC                       | X     |
| 000E                    | 08                       | COUNT | INX                       |       |
| 000F                    | 8C 004A                  |       | CPX                       | #\$4A |
| 0012                    | 26 F3                    |       | BNE                       | CONV  |
| 0014                    | 3F                       |       | SWI                       |       |

The ASCII digits form a sequence so ASCII 1 - ASCII 0 = 1.

The CPX (Compare Index Register) instruction compares 16-bit quantities. The Zero flag should be used as the jump condition. The other flags are not set properly on the 6800 processor, but are set properly on the 6801.

The INC instruction requires only an 8-bit offset if indexed addressing is used, even though 8-bit direct addresses are not allowed. Be careful of the difference between INC X, which adds 1 to an 8-bit number in memory (the address is in the Index register) and INX, which adds 1 to the 16-bit Index register.

Binary-to-ASCII conversion is necessary when numbers are printed in binary form on an ASCII device.

The conversion to ASCII simply involves adding ASCII 0 (hex 30).

**PROBLEMS****1) ASCII to Hex**

**Purpose:** Convert the contents of memory location 0040 to a hexadecimal digit and store the result in memory location 0041. Assume that memory location 0040 contains the ASCII representation of a hexadecimal digit (7 bits with MSB 0).

**Sample Problems:**

- a.               (0040) = 43 'C'  
Result: (0041) = 0C
- b.               (0040) = 36 '6'  
Result: (0041) = 06

**2) Seven-Segment to Decimal**

**Purpose:** Convert the contents of memory location 0040 from a seven-segment code to a decimal number in memory location 0041. If memory location 0040 does not contain a valid seven-segment code, set memory location 0041 to FF (hex). Use the seven-segment table given under the Decimal to Seven-Segment example and try to match codes.

**Sample Problems:**

- a.               (0040) = 4F  
           Result: (0041) = 03
- b.               (0040) = 28  
           Result: (0041) = FF

**3) Decimal to ASCII**

**Purpose:** Convert the contents of memory location 0040 from a decimal digit to an ASCII character and store the result in memory location 0041. If the number in memory location 0040 is not a decimal digit, set the contents of memory location 0041 to an ASCII blank character (20 hex).

**Sample Problems:**

- a.               (0040) = 07  
           Result: (0041) = 37 ('7')
- b.               (0040) = 55  
           Result: (0041) = 20 ('SP')

**4) Binary to BCD**

**Purpose:** Convert the contents of memory location 0040 to two BCD digits in memory locations 0041 and 0042 (most significant digit in 0041). The number in memory location 0040 is unsigned and less than 100.

**Sample Problems:**

- a.               (0040) = 1D (29 decimal)  
           Result: (0041) = 02  
                   (0042) = 09
- b.               (0040) = 47 (71 decimal)  
           Result: (0041) = 07  
                   (0042) = 01

**5) Binary Number to ASCII String**

**Purpose:** Convert the eight ASCII characters in memory locations 0042 through 0049 to an 8-bit binary number in memory location 0041 (the most significant bit is in 0042). Clear memory location 0040 if all the ASCII characters are either ASCII 1 or ASCII 0 and set it to FF otherwise.

**Sample Problems:**

- a.               (0042) = 31 '1'  
                   (0043) = 31 '1'  
                   (0044) = 30 '0'  
                   (0045) = 31 '1'  
                   (0046) = 30 '0'  
                   (0047) = 30 '0'  
                   (0048) = 31 '1'  
                   (0049) = 30 '0'  
           Result: (0041) = D2  
                   (0040) = 00
- b.               (0045) = 37 '7'  
           Result: (0040) = FF

## REFERENCES

<sup>1</sup>Allison, D.R., "A Design Philosophy for Microcomputer Architectures". Computer, February 1977, pp. 35-41. This is an excellent article which we recommend highly.

# Chapter 8

## ARITHMETIC PROBLEMS

Most arithmetic in microprocessor applications consists of multiple-word binary or decimal manipulations. A decimal correction (decimal adjust) or some other means for performing decimal arithmetic is frequently the only arithmetic instruction provided besides basic addition and subtraction. You must implement other arithmetic operations with sequences of instructions.

Multiple-precision binary arithmetic requires simple repetitions of the basic single-word instructions. The Carry bit transfers information between words. Add with Carry and Subtract with Carry use the information from the previous arithmetic operations. You must be careful to clear the Carry before operating on the first words (obviously there is no carry into or borrow from the least significant bits).

Decimal arithmetic is a common enough task for microprocessors that most have special instructions for this purpose. These instructions may either perform decimal operations directly or correct the results of binary operations to the proper decimal form. Decimal arithmetic is essential in such applications as point-of-sale terminals, calculators, check processors, order entry systems, and banking terminals.

You can implement multiplication and division as series of additions and subtractions, respectively, much as they are done by hand. Double-word operations are necessary, since a multiplication produces a result twice as long as the operands, while a division similarly contracts the length of the result. Multiplications and divisions are time-consuming when done in software because of the repeated arithmetic and shift operations that are necessary. Of course, multiplying or dividing by a power of 2 is simple because such operations can be implemented with an appropriate number of left or right arithmetic shifts.

### EXAMPLES

#### Multiple-Precision Addition

**Purpose:** Add two multiple-word binary numbers. The length of the numbers (in bytes) is in memory location 0040, the numbers themselves start (least significant bits first) in memory locations 0041 and 0051, respectively, and the sum replaces the number starting in memory location 0041.

## 8-2 6800 Assembly Language Programming

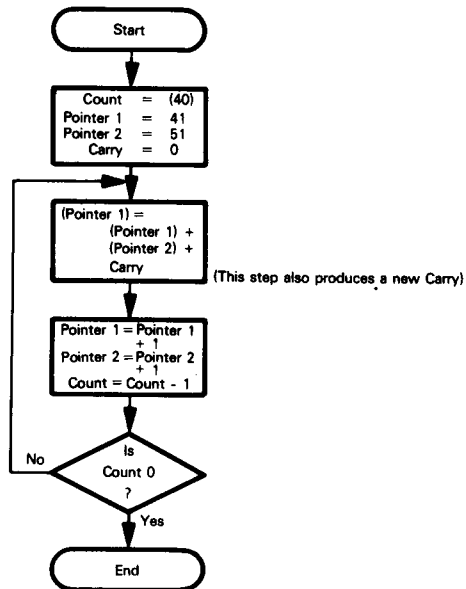
### Sample Problem:

(0040) = 04  
(0041) = C3  
(0042) = A7  
(0043) = 5B  
(0044) = 2F  
  
(0051) = B8  
(0052) = 35  
(0053) = DF  
(0054) = 14

Result: (0041) = 7B  
(0042) = DD  
(0043) = 3A  
(0044) = 44

that is, 
$$\begin{array}{r} 2F5BA7C3 \\ + 14DF35B8 \\ \hline 443ADD7B \end{array}$$

### Flowchart:



**Source Program:**

```

LDAB $40      COUNT = LENGTH OF NUMBERS (IN BYTES)
CLC           START CARRY AT ZERO
LDX  #$41     POINT TO FIRST BITS IN NUMBERS
MPADD LDAA X   GET 8 BITS OF FIRST NUMBER
      ADCA $10,X ADD 8 BITS OF SECOND NUMBER
      STAA X   STORE SUM IN FIRST NUMBER
      INX
      DECB
      BNE MPADD
      SWI
    
```

**Object Program:**

| Memory Address (Hex) | Memory Contents (Hex) | Instruction (Mnemonic) |
|----------------------|-----------------------|------------------------|
| 0000                 | D6 40                 | LDAB \$40              |
| 0002                 | 0C                    | CLC                    |
| 0003                 | CE 0041               | LDX #\$41              |
| 0006                 | A6 00                 | MPADD LDAA X           |
| 0008                 | A9 10                 | ADCA \$10,X            |
| 000A                 | A7 00                 | STAA X                 |
| 000C                 | 08                    | INX                    |
| 000D                 | 5A                    | DECB                   |
| 000E                 | 26 F6                 | BNE MPADD              |
| 0010                 | 3F                    | SWI                    |

The relative address for BNE MPADD is

$$\begin{array}{r}
 06 \quad 06 \\
 -10 \quad = \quad +F0 \\
 \hline
 \quad \quad F6
 \end{array}$$

The instruction CLC clears the Carry bit. The Carry must be cleared, since there is no carry involved in the addition of the least significant bytes.

The instruction ADC, ADD WITH CARRY, includes the Carry from the previous words in the addition. ADC is the only instruction in the loop that affects the Carry. Remember that neither INX nor DEC does.

The two strings must be less than 256 locations apart, so that an 8-bit indexed offset can hold the distance between them.

This procedure can add binary numbers of any length. Note that ten binary bits correspond to three decimal digits, since  $2^{10} = 1024 \sim 1000$ . So, you can calculate the number of bits required to give a certain accuracy in decimal digits. For example, twelve-decimal digit accuracy requires

**DECIMAL  
ACCURACY  
IN BINARY**

$$12 \times \frac{10}{3} = 40 \text{ bits}$$

## 8-4 6800 Assembly Language Programming

### Decimal Addition

**Purpose:** Add two multiple-word decimal (BCD) numbers. The length of the numbers is in memory location 0040, the numbers themselves start (least significant bits first) in memory locations 0041 and 0051, respectively, and the sum replaces the number starting in memory location 0041.

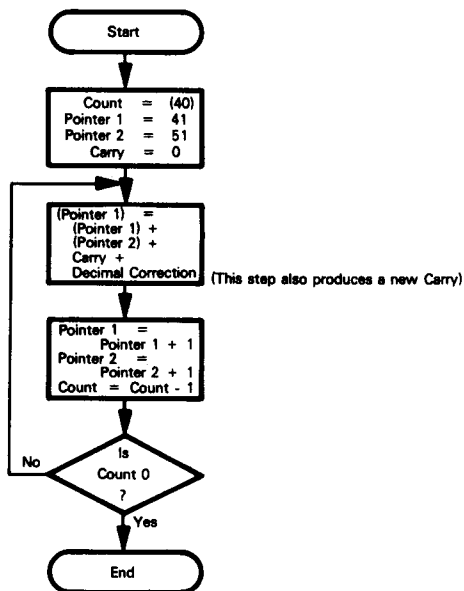
**Sample Problem:**

(0040) = 04  
(0041) = 85  
(0042) = 19  
(0043) = 70  
(0044) = 36  
  
(0051) = 59  
(0052) = 34  
(0053) = 66  
(0054) = 12

Result:  
(0041) = 44  
(0042) = 54  
(0043) = 36  
(0044) = 49

that is, 
$$\begin{array}{r} 36701985 \\ +12663459 \\ \hline 49365444 \end{array}$$

**Flowchart:**



**Source Program:**

```

LDAB    $40      COUNT = LENGTH OF STRINGS (IN BYTES)
CLC     START CARRY AT ZERO
LDX     #$41     POINT TO FIRST DIGITS IN STRINGS
DCADD  LDAA    X   GET TWO DIGITS OF FIRST STRING
      ADCA    $10,X ADD TWO DIGITS OF SECOND STRING
      DAA     DECIMAL CORRECTION
      STAA   X   STORE SUM IN FIRST STRING
      INX
      DECB
      BNE   DCADD
      SWI
    
```

**Object Program:**

| Memory Address (Hex) | Memory Contents (Hex) | Instruction (Mnemonic) |
|----------------------|-----------------------|------------------------|
| 0000                 | D6 40                 | LDAB \$40              |
| 0002                 | 0C                    | CLC                    |
| 0003                 | CE 0041               | LDX #\$41              |
| 0006                 | A6 00                 | DCADD LDAA X           |
| 0008                 | A9 10                 | ADCA                   |
| 000A                 | 19                    | DAA                    |
| 000B                 | A7 00                 | STAA X                 |
| 000D                 | 08                    | INX                    |
| 000E                 | 5A                    | DECB                   |
| 000F                 | 26 F5                 | BNE DCADD              |
| 0011                 | 3F                    | SWI                    |

The Decimal Adjust (DAA) instruction uses the Carry (C) and Half Carry (H) bits to correct the following situations:

**DECIMAL ADJUST**

- 1) The sum of two digits is between 10 and 15, inclusive. In this case, six must be added to the sum to give the right result, i.e.,

$$\begin{array}{r}
 0101 \quad (5) \\
 + 1000 \quad (8) \\
 \hline
 1101 \quad (D) \\
 + 0110 \\
 \hline
 0001\ 0011 \quad (\text{BCD } 13, \text{ which is correct})
 \end{array}$$

- 2) The sum of two digits is 16 or more. In this case the result is a proper BCD number, but six less than it should be, i.e.,

$$\begin{array}{r}
 1000 \quad (8) \\
 + 1001 \quad (9) \\
 \hline
 0001\ 0001 \quad (\text{BCD } 11) \\
 + 0110 \\
 \hline
 0001\ 0111 \quad (\text{BCD } 17, \text{ which is correct})
 \end{array}$$

Six must be added in both situations. However, case 1 can be recognized by the fact that the sum is not a BCD digit; it is between 10 and 15 (or A and F hexadecimal). Case 2 can only be recognized by the fact that the Carry (most significant digit) or Half Carry (least significant digit) has been set to 1, since the result is a valid BCD number. DAA is the only instruction which uses the Half Carry. Note that DAA only operates on Accumulator A.

## 8-6 6800 Assembly Language Programming

This procedure can add decimal (BCD) numbers of any length. Here four binary bits are required for each decimal digit, so twelve-digit accuracy requires

$$12 \times 4 = 48 \text{ bits}$$

as opposed to 40 bits in the binary case. This is essentially six 8-bit words instead of five. The decimal procedure also takes a little longer per word because of the extra DAA instruction.

### 8-Bit Binary Multiplication

**Purpose:** Multiply the 8-bit unsigned number in memory location 0041 by the 8-bit unsigned number in memory location 0040. Place the eight most significant bits of the result in memory location 0042 and the eight least significant bits in memory location 0043.

#### Sample Problems:

- a.                   (0040) = 03  
                      (0041) = 05  
Result: (0042) = 00  
          (0043) = 0F  
          or, in decimal,  $3 \times 5 = 15$
- b.                   (0040) = 6F  
                      (0041) = 61  
Result: (0042) = 2A  
          (0043) = 0F  
          or,  $111 \times 97 = 10,767$

You can perform multiplication on a computer in the same way that you do long multiplication by hand. Since the numbers are binary, the only problem is whether to multiply by 0 or 1; multiplying by zero obviously gives zero as a result, while multiplying by one produces the same number that you started with (the multiplicand). So, each step in a binary multiplication can be reduced to the following operation:

If the current bit in the multiplier is 1, add the multiplicand to the partial product.

**MULTIPLICATION  
ALGORITHM**

The only remaining problem is to ensure that you line everything up correctly each time. The following operations perform this task:

- 1) Shift multiplier left one bit so that the bit to be examined is placed in the Carry.
- 2) Shift product left one bit so that the next addition is lined up correctly.

The complete process for binary multiplication is as follows:

- Step 1 - Initialization  
Product = 0  
Counter = 8
- Step 2 - Shift Product so as to line up properly  
Product = 2 x Product (LSB = 0)
- Step 3 - Shift Multiplier so bit goes to Carry  
Multiplier = 2 x Multiplier
- Step 4 - Add Multiplicand to Product if Carry is 1  
If Carry = 1, Product = Product + Multiplicand
- Step 5 - Decrement Counter and check for zero  
Counter = Counter - 1  
If Counter  $\neq$  0, go to Step 2

In the case of Sample Problem b, where the multiplier is 61 (hex) and the multiplicand is 6F (hex), the process works as follows:

Initialization:

|              |      |
|--------------|------|
| Product      | 0000 |
| Multiplier   | 61   |
| Multiplicand | 6F   |
| Counter      | 08   |

After first iteration of steps 2-5:

|                       |      |
|-----------------------|------|
| Product               | 0000 |
| Multiplier            | C2   |
| Multiplicand          | 6F   |
| Counter               | 07   |
| Carry from Multiplier | 0    |

After second iteration:

|                       |      |
|-----------------------|------|
| Product               | 006F |
| Multiplier            | 84   |
| Multiplicand          | 6F   |
| Counter               | 06   |
| Carry from Multiplier | 1    |

After third iteration:

|                       |      |
|-----------------------|------|
| Product               | 014D |
| Multiplier            | 08   |
| Multiplicand          | 6F   |
| Counter               | 05   |
| Carry from Multiplier | 1    |

After fourth iteration:

|                       |      |
|-----------------------|------|
| Product               | 029A |
| Multiplier            | 10   |
| Multiplicand          | 6F   |
| Counter               | 04   |
| Carry from Multiplier | 0    |

After fifth iteration:

|                       |      |
|-----------------------|------|
| Product               | 0534 |
| Multiplier            | 20   |
| Multiplicand          | 6F   |
| Counter               | 03   |
| Carry from Multiplier | 0    |

After sixth iteration:

|                       |      |
|-----------------------|------|
| Product               | 0A68 |
| Multiplier            | 40   |
| Multiplicand          | 6F   |
| Counter               | 02   |
| Carry from Multiplier | 0    |

After seventh iteration:

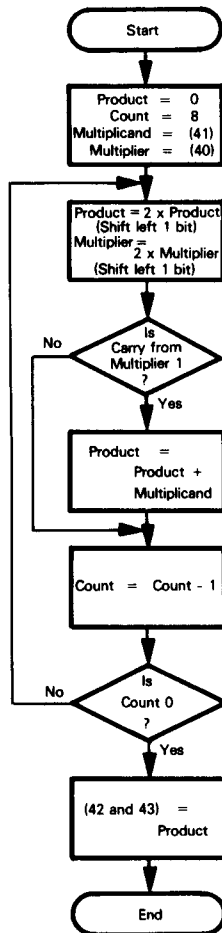
|                       |      |
|-----------------------|------|
| Product               | 14D0 |
| Multiplier            | 80   |
| Multiplicand          | 6F   |
| Counter               | 01   |
| Carry from Multiplier | 0    |

## 8-8 6800 Assembly Language Programming

After eighth iteration:

|                       |      |
|-----------------------|------|
| Product               | 2A0F |
| Multiplier            | 00   |
| Multiplicand          | 6F   |
| Counter               | 00   |
| Carry from Multiplier | 1    |

**Flowchart:**



**Source Program:**

```

          CLRA          PRODUCT MSB = ZERO
          CLRB          PRODUCT LSB = ZERO
          LDX          #8          NUMBER OF BITS IN MULTIPLIER = 8
SHIFT     ASLB          SHIFT PRODUCT LEFT 1 BIT
          ROLA
          ASL          $40        SHIFT MULTIPLIER LEFT TO
          BCC          DECR        EXAMINE NEXT BIT
          ADDB         $41        ADD MULTIPLICAND TO
          ADCA         #0         PRODUCT IF CARRY IS 1
DECR     DEX
          BNE          SHIFT      LOOP UNTIL 8 BITS ARE DONE
          STAA         $42        STORE RESULT
          STAB         $43
          SWI

```

**Object Program:**

| Memory Address<br>(Hex) | Memory Contents<br>(Hex) | Instruction<br>(Mnemonic) |
|-------------------------|--------------------------|---------------------------|
| 0000                    | 4F                       | CLRA                      |
| 0001                    | 5F                       | CLRB                      |
| 0002                    | CE 0008                  | LDX #8                    |
| 0005                    | 58                       | SHIFT ASLB                |
| 0006                    | 49                       | ROLA                      |
| 0007                    | 78 0040                  | ASL \$40                  |
| 000A                    | 24 04                    | BCC DECR                  |
| 000C                    | DB 41                    | ADDB \$41                 |
| 000E                    | 89 00                    | ADCA #0                   |
| 0010                    | 09                       | DECR DEX                  |
| 0011                    | 28 F2                    | BNE SHIFT                 |
| 0013                    | 97 42                    | STAA \$42                 |
| 0015                    | D7 43                    | STAB \$43                 |
| 0017                    | 3F                       | SWI                       |

Besides its obvious use in calculators and point-of-sale terminals, multiplication is a key part of almost all signal processing and control algorithms. The speed at which multiplications can be performed determines the usefulness of a CPU in process control, signal detection, and signal analysis.

This algorithm takes between 190 and 230 microseconds to multiply on a 6800 with a 1 MHz clock. The precise time depends on the number of 1 bits in the multiplier. Other algorithms can reduce the average time somewhat, but 250 microseconds will still be typical for a software multiplication.

The Index register is used as a counter, since it is not otherwise needed in the program. The DEX instruction decrements the contents of the Index register. A memory location could also serve as the counter.

The instruction ASL \$40 shifts the contents of memory location 0040 left one bit, placing the most significant bit in the Carry and clearing the least significant bit.

## 8-10 6800 Assembly Language Programming

The instruction `ADDB $41` adds the multiplicand to the product. The instruction `ADCA #0` adds the carry from that 8-bit addition to the most significant eight bits of the product (in Accumulator A). `ADCA #0` results in

$$\begin{aligned}(A) &= (A) + 0 + (\text{Carry}) \\ &= (A) + (\text{Carry})\end{aligned}$$

The instructions `ASLB` and `ROLA` together act as a 16-bit arithmetic left shift of the product in Accumulators A and B (MSBs in A). Similarly, `LSRA`, `RORB` is a 16-bit logical right shift, and `ASRA`, `RORB` a 16-bit arithmetic right shift. You can also use the same sequences to shift the contents of two memory locations as a 16-bit number.

Other methods for implementing multiplication, division, and other arithmetic tasks are discussed in:

### REFERENCES ON MULTIPLICATION

Geist, D.J., "MOS Processor Picks Up Speed with Bipolar Multipliers", Electronics, July 7, 1977, pp. 113 - 115.

Mick, J.R., and J. Springer, "Single-chip Multiplier Expands Digital Role in Signal Processing", Electronics, May 13, 1976, pp. 103 - 108.

Parasuraman, B., "Hardware Multiplication Techniques for Microprocessor Systems", Computer Design, April 1977, pp. 75 - 82.

Tao, T.F. et al., "Applications of Microprocessors in Control Problems", Proceedings of the 1977 Joint Automatic Control Conference, San Francisco, CA., June 22-24, 1977.

Waser, S., and A. Peterson, "Real-time Processing Gains Ground with Fast Digital Multiplier", Electronics, September 29, 1977, pp. 93 - 99.

Weissberger, A.J., and T. Toal, "Tough Mathematical Tasks Are Child's Play for Number Cruncher", Electronics, February 17, 1977, pp. 102 - 107.

## 8-Bit Binary Division

**Purpose:** Divide the 8-bit unsigned number in memory location 0040 by the 8-bit unsigned number in memory location 0041. Store the quotient in memory location 0042 and the remainder in memory location 0043. Assume that the most significant bit of the dividend and the most significant bit of the divisor are both zero.

### Sample Problems:

- a.                   (0040) = 40 (64 decimal)  
                      (0041) = 08  
Result:           (0042) = 08  
                      (0043) = 00  
                      or, in decimal,  $64/8 = 8$
- b.                   (0040) = FF (255 decimal)  
                      (0041) = 17 (23 decimal)  
Result:           (0042) = 0B (11 decimal)  
                      (0043) = 02 (2 decimal)  
                      that is,  $255/23 = 11$  with a remainder of 2.

You can perform division on a computer just like you would perform division with pencil and paper; i.e., by using trial subtractions. Since the numbers are binary, the only question is whether the divisor can be subtracted from what is left of the dividend. Each step in a binary division can be reduced to the following operation:

### DIVISION ALGORITHM

If the divisor can be subtracted from the eight most significant bits of the dividend without a borrow, the corresponding bit in the quotient is 1; otherwise it is zero.

The only remaining problem is to line up the dividend and quotient properly. You can do this by shifting the dividend and quotient logically left one bit before each trial subtraction. The dividend and quotient can share a 16-bit register, since the procedure clears one bit of the dividend at the same time as it determines one bit of the quotient. The 8-bit dividend is initially expanded to 16 bits by adding eight leading zero bits.

The complete process for binary division is:

Step 1 - Initialization

Quotient = 0  
Count = 8

Step 2 - Shift Dividend and Quotient so as to line up properly

Dividend = 2 x Quotient  
Quotient = 2 x Quotient

Step 3 - Perform trial subtraction. If no Borrow, add 1 to Quotient

If 8 MSBs of Dividend  $\geq$  Divisor, then MSBs of Dividend = MSBs of Dividend - Divisor  
Quotient = Quotient + 1

Step 4 - Decrement Counter and check for zero

Count = Count - 1  
If Count  $\neq$  0, go to Step 2  
Remainder = 8 MSBs of Dividend

In the case of Sample Problem b, where the dividend is FF (hex) and the divisor is 17 (hex), the process works as follows:

Initialization:

|          |      |
|----------|------|
| Dividend | 00FF |
| Divisor  | 17   |
| Quotient | 00   |
| Count    | 08   |

After first iteration of Steps 2-4: (Note that the dividend is shifted prior to the trial subtraction.)

|          |      |
|----------|------|
| Dividend | 01FE |
| Divisor  | 17   |
| Quotient | 00   |
| Count    | 07   |

After second iteration of Steps 2-4:

|          |      |
|----------|------|
| Dividend | 03FC |
| Divisor  | 17   |
| Quotient | 00   |
| Count    | 06   |

## 8-12 6800 Assembly Language Programming

After third iteration:

|          |      |
|----------|------|
| Dividend | 07F8 |
| Divisor  | 17   |
| Quotient | 00   |
| Count    | 05   |

After fourth iteration:

|          |      |
|----------|------|
| Dividend | 0FF0 |
| Divisor  | 17   |
| Quotient | 00   |
| Count    | 04   |

After fifth iteration:

|          |      |
|----------|------|
| Dividend | 08E0 |
| Divisor  | 17   |
| Quotient | 01   |
| Count    | 03   |

After sixth iteration:

|          |      |
|----------|------|
| Dividend | 11C0 |
| Divisor  | 17   |
| Quotient | 02   |
| Count    | 02   |

After seventh iteration:

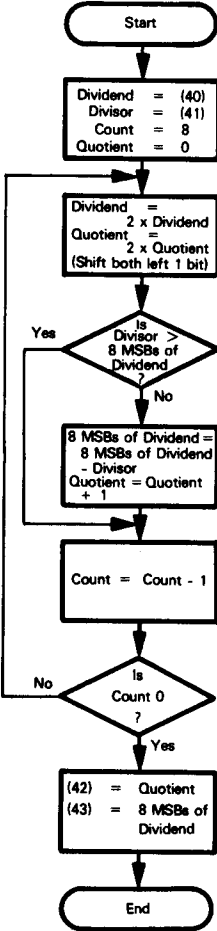
|          |      |
|----------|------|
| Dividend | 0C80 |
| Divisor  | 17   |
| Quotient | 05   |
| Count    | 01   |

After eighth iteration:

|          |      |
|----------|------|
| Dividend | 0200 |
| Divisor  | 17   |
| Quotient | 0B   |
| Count    | 00   |

So, the quotient is 0B and the remainder is 02.

Flowchart:



**8-14** 6800 Assembly Language Programming

**Source Program:**

```

LDX    #8      NUMBER OF BITS IN DIVISOR
CLRA
LDAB   $40     GET DIVIDEND
DIVIDE ASLB     SHIFT DIVIDEND, QUOTIENT
      ROLA
      CMPA   $41 IS TRIAL SUBTRACTION SUCCESSFUL?
      BCS   CHKCNT
      SUBA   $41 YES, SUBTRACT AND SET BIT IN QUOTIENT
      INCB
CHKCNT DEX
      BNE   DIVIDE
      STAB  $42 STORE QUOTIENT
      STAA  $43 STORE REMAINDER
      SWI
    
```

**Object Program:**

| Memory Address<br>(Hex) | Memory Contents<br>(Hex) | Instruction<br>(Mnemonic) |
|-------------------------|--------------------------|---------------------------|
| 0000                    | CE 0008                  | LDX #8                    |
| 0003                    | 4F                       | CLRA                      |
| 0004                    | D6 41                    | LDAB \$40                 |
| 0006                    | 58                       | DIVIDE ASLB               |
| 0007                    | 49                       | ROLA                      |
| 0008                    | 91 42                    | CMPA \$41                 |
| 000A                    | 25 03                    | BCS CHKCNT                |
| 000C                    | 90 42                    | SUBA \$41                 |
| 000E                    | 5C                       | INCB                      |
| 000F                    | 09                       | CHKCNT DEX                |
| 0010                    | 26 F4                    | BNE DIVIDE                |
| 0012                    | D7 42                    | STAB \$42                 |
| 0014                    | 97 43                    | STAA \$43                 |
| 0016                    | 3F                       | SWI                       |

Division is used in calculators, terminals, communications error checking, control algorithms, and many other applications.

The algorithm takes between 170 and 210 microseconds to divide on a 6800 with a 1 MHz clock. The precise time depends on the number of 1 bits in the quotient. Other algorithms can reduce the average time somewhat, but 200 microseconds will still be typical for a software division.

The instructions ASLB and ROLA together provide a 16-bit arithmetic left shift of Accumulators A and B (MSBs in A).

An 8-bit subtraction is necessary, since there is no simple way to do a 16-bit subtraction or comparison.

Accumulators A and B hold both the dividend and the quotient. The quotient simply replaces the dividend in Accumulator B as the dividend is shifted left logically.

### Self-Checking Numbers Double Add Double Mod 10

**Purpose:** Calculate a checksum digit from a string of BCD digits. The length of the string of digits (number of words) is in memory location 0041; the string of digits (2 BCD digits to a word) starts in memory location 0042. Calculate the checksum digit by the Double Add Double Mod 10 technique and store it in memory location 0040. (See J.R. Herr, "Self-checking Number Systems", Computer Design, June 1974, pp. 85 - 91.)

The Double Add Double Mod 10 technique works as follows:

**SELF-CHECKING  
NUMBERS**

- 1) Clear the checksum to start.
- 2) Multiply the leading digit by two and add the result to the checksum.
- 3) Add the next digit to the checksum.
- 4) Continue the alternating process until you have used all the digits.
- 5) The least significant digit of the checksum is the self-checking digit.

Self-checking digits are commonly added to identification numbers on credit cards, inventory tags, luggage, parcels, etc., when they are handled by computerized systems. They may also be used in routing messages, identifying files, and other applications. The purpose of the digits is to minimize entry errors such as transposing digits (69 instead of 96), shifting digits (7260 instead of 3726), missing digits by 1 (65 instead of 64), etc. You can check the self-checking number automatically for correctness upon entry and can eliminate many errors immediately.

The analysis of self-checking methods is quite complex. For example, a plain checksum will not find transposition errors ( $4 + 9 = 9 + 4$ ). The Double Add Double algorithm will find simple transposition errors ( $2 \times 4 + 9 = 17 \neq 2 \times 9 + 4$ ), but will miss some errors, such as transpositions across even numbers of digits (367 instead of 763). However, this method will find many common errors! The value of a method depends on what errors it will detect and on the probability of particular errors in an application.

For example, if the string of digits is

549321

the result will be:

$$\begin{aligned}\text{Checksum} &= 5 \times 2 + 4 + 9 \times 2 + 3 + 2 \times 2 + 1 = 40 \\ \text{Self-checking digit} &= 0 \text{ (least significant digit of checksum)}\end{aligned}$$

Note that an erroneous entry like 543921 would produce a different self-checking digit (4), but erroneous entries like 049321 or 945321 would not be detected.

#### Sample Problems:

- a.
- |          |    |
|----------|----|
| (0041) = | 03 |
| (0042) = | 36 |
| (0043) = | 68 |
| (0044) = | 51 |

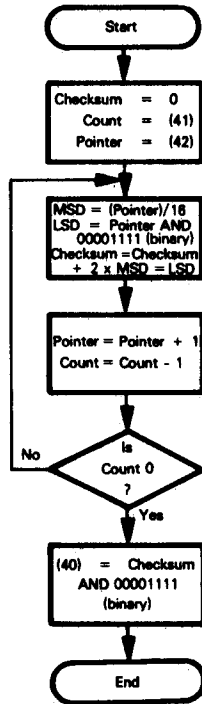
$$\begin{aligned}\text{Result: Checksum} &= 3 \times 2 + 6 + 6 \times 2 + 8 + 5 \times 2 + 1 = 43 \\ (0040) &= 03\end{aligned}$$

- b.
- |          |    |
|----------|----|
| (0041) = | 04 |
| (0042) = | 50 |
| (0043) = | 29 |
| (0044) = | 16 |
| (0045) = | 83 |

$$\begin{aligned}\text{Result: Checksum} &= 5 \times 2 + 0 + 2 \times 2 + 9 + 1 \times 2 + 6 + 8 \times 2 + 3 = 50 \\ (0040) &= 00\end{aligned}$$

8-16 6800 Assembly Language Programming

Flowchart:



**Source Program:**

```

LDX    #$42          POINT TO START OF STRING
CLR    $40           CHECKSUM = 0
CHKDIG LDAA    X
LSRA   LSRA          GET MSD BY 4 LOGICAL SHIFTS
LSRA   LSRA
LSRA   LSRA
TAB    TAB           DOUBLE MSD
ABA    ABA
DAA    DAA           AND KEEP IT DECIMAL
LDAB   LDAB    X
ANDB   ANDB    #%00001111  MASK OFF MSD
ABA    ABA           ADD LSD TO TWICE MSD
DAA    DAA
ADDA   ADDA    $40        ADD LSD + TWICE MSD TO OLD
                           CHECKSUM DIGIT
DAA
STAA   STAA    $40
INX
DEC    DEC         $41    COUNT LENGTH OF NUMBER IN BYTES
BNE    BNE        CHKDIG
ANDA   ANDA    #%00001111  MASK OFF MSD
STAA   STAA    $40        SAVE SELF-CHECKING DIGIT
SWI

```

**Object Program:**

| Memory Address<br>(Hex) | Memory Contents<br>(Hex) | Instruction<br>(Mnemonic) |
|-------------------------|--------------------------|---------------------------|
| 0000                    | CE 0042                  | LDX    #\$42              |
| 0003                    | 7F 0040                  | CLR    \$40               |
| 0006                    | A6 00                    | CHKDIG LDAA    X          |
| 0008                    | 44                       | LSRA                      |
| 0009                    | 44                       | LSRA                      |
| 000A                    | 44                       | LSRA                      |
| 000B                    | 44                       | LSRA                      |
| 000C                    | 16                       | TAB                       |
| 000D                    | 1B                       | ABA                       |
| 000E                    | 19                       | DAA                       |
| 000F                    | E6 00                    | LDAB   LDAB    X          |
| 0011                    | C4 0F                    | ANDB   ANDB    #%00001111 |
| 0013                    | 1B                       | ABA                       |
| 0014                    | 19                       | DAA                       |
| 0015                    | 9B 40                    | ADDA   ADDA    \$40       |
| 0017                    | 19                       | DAA                       |
| 0018                    | 97 40                    | STAA   STAA    \$40       |
| 001A                    | 08                       | INX                       |
| 001B                    | 7A 0041                  | DEC    DEC         \$41   |
| 001E                    | 26 E6                    | BNE    BNE        CHKDIG  |
| 0020                    | 84 0F                    | ANDA   ANDA    #%00001111 |
| 0022                    | 97 40                    | STAA   STAA    \$40       |
| 0024                    | 3F                       | SWI                       |

## 8-18 6800 Assembly Language Programming

The digits are removed by shifting and masking. Four logical right shifts are needed to separate the most significant digit.

A decimal adjust (DAA) must follow each addition in order to produce the proper decimal result. A single DAA after a series of additions will not work (try it!). Remember that DAA only works on Accumulator A.

There is no problem with carries from the decimal sum, since the procedure only uses the least significant digit of the checksum anyway.

You can double a decimal number (in A) by adding it to itself and then performing a decimal correction:

```
TAB
ABA    DOUBLE NUMBER
DAA    AND MAKE RESULT DECIMAL
SWI
```

**DOUBLING  
AND HALVING  
DECIMAL  
NUMBERS**

You cannot use ASLA, because that instruction does not affect the Half-Carry (only Add and Add With Carry affect that bit).

You can divide a decimal number by 2 simply by shifting it right logically and then subtracting 3 from any digit that is 8 or larger (since 10 BCD is 16 binary). The following program divides a decimal number in memory location 0040 by 2 and places the result in memory location 0041.

```
LDAA  $40    GET DECIMAL NUMBER
LSRA
TAB
ANDA  #$0F   MASK OFF MSD
CMPA  #8     IS LEAST SIGNIFICANT DIGIT 8 OR MORE?
BCS   DONE
SUBB  #3     YES, SUBTRACT 3 FOR DECIMAL CORRECTION
DONE  STAB   $41    STORE NUMBER DIVIDED BY 2
      SWI
```

Try the method by hand on the decimal numbers 28, 30 and 37. Do you understand why it works?

Rounding is simple whether the numbers are binary or decimal. A binary number can be rounded as follows:

If the most significant bit to be dropped is 1, add 1 to the remaining bits. Otherwise, leave the remaining bits alone.

**BINARY  
ROUNDING**

This rule works because 1 is halfway between 0 and 10 in binary, much as 5 is halfway in decimal (note that 0.5 decimal = 0.1 binary).

So, the following program will round a 16-bit number in memory locations 0040 and 0041 (MSBs in 0040) to an 8-bit number in memory location 0040.

```
TST  $41    IS MSB OF EXTRA BYTE 1?
BPL  DONE
INC  $40    YES, ROUND UP
DONE SWI
```

If the number is longer than 16 bits, the rounding must ripple through the other bytes as needed.

Decimal rounding is a bit more difficult, because the crossover point is now BCD 50 and the rounding must produce a decimal result. The rule is:

**DECIMAL  
ROUNDING**

If the most significant digit to be dropped is 5 or more, add 1 to the remaining digits.

The following program will round a four-digit BCD number in memory locations 0040 and 0041 (MSDs in 0040) to a two-digit BCD number in memory location 0040.

```

LDAA $41    IS BYTE TO BE DROPPED 50 OR MORE?
CMPA #$50
BCS DONE
LDAA $40    YES, ROUND MSDS UP
ADDA #1
DAA        KEEP MSDS DECIMAL
STAA $40
DONE SWI

```

Remember that you cannot use the INC instruction to add 1 because it does not affect the H bit (which may have been set by an earlier operation). Again, longer numbers mean that the rounding must ripple through the more significant digits as needed.

## PROBLEMS

### 1) Multiple-Precision Subtraction

**Purpose:** Subtract one multiple-word number from another. The length of the numbers is in memory location 0040, the numbers themselves start (least significant bits first) in memory locations 0041 and 0051, respectively, and the difference replaces the number starting in memory location 0041. Subtract the number starting in 0051 from the one starting in 0041.

**Sample Problem:**

```

(0040) = 04
(0041) = C3
(0042) = A7
(0043) = 5B
(0044) = 2F

(0051) = B8
(0052) = 35
(0053) = DF
(0054) = 14

Result: (0041) = 0B
        (0042) = 72
        (0043) = 7C
        (0044) = 1A

that is,
          2F5BA7C3
        - 14DF35B8
        -----
          1A7C720B

```

### 2) Decimal Subtraction

**Purpose:** Subtract one multiple-word decimal (BCD) number from another. The length of the numbers is in memory location 0040, the numbers themselves start (least significant bits first) in memory locations 0041 and 0051, respectively, and the difference replaces the number starting in memory location 0041. Subtract the number starting in 0051 from the one starting in 0041.

**Sample Problem:**

```

(0040) = 04
(0041) = 85
(0042) = 19
(0043) = 70
(0044) = 36
(0051) = 59
(0052) = 34
(0053) = 66
(0054) = 12
Result: (0041) = 26
        (0042) = 85
        (0043) = 03
        (0044) = 24

```

```

that is,   36701985
          - 12663459
          -----
          24038526

```

Hint:  $X - Y = X + 99 - Y + \overline{\text{BORROW}}$

where X and Y are each two digits from the strings and the BORROW is the borrow from the less significant digits. Calculating 99-Y is no problem, since any decimal number can be subtracted from 99 without any borrows. But remember that the role of the Carry is reversed from the usual (why?).

**3) 8-Bit by 16-Bit Binary Multiplication**

**Purpose:** Multiply the 16-bit unsigned number in memory locations 0040 and 0041 (most significant bits in 0040) by the 8-bit unsigned number in memory location 0042. Store the result in memory locations 0043 through 0045, with the most significant bits in memory location 0043.

**Sample Problems:**

- a.
- ```

(0040) = 00
(0041) = 03
(0042) = 05
Result: (0043) = 00
        (0044) = 00
        (0045) = 0F
that is,   3 x 5 = 15

```
- b.
- ```

(0040) = 72 (29,295 decimal)
(0041) = 6F
(0042) = 61 (97 decimal)
Result: (0043) = 2B
        (0044) = 5C
        (0045) = 0F
that is,   29,295 x 97 = 2,841,615

```

**4) Signed Binary Division**

**Purpose:** Divide the 16-bit signed number in memory locations 0040 and 0041 (most significant bits in 0040) by the 8-bit signed number in memory location 0042. The numbers are normalized so that the magnitude of memory location 0042 is greater than the magnitude of memory location 0040 (that is, the quotient is an 8-bit number). Store the quotient (signed) in memory location 0043 and the remainder (always positive) in memory location 0044.

**Sample Problems:**

- a. (0040) = FF (-64)  
 (0041) = C0  
 (0042) = 08  
 Result: (0043) = F8 (-8) quotient  
 (0044) = 00 (0) remainder
- b. (0040) = ED (-4717)  
 (0041) = 93  
 (0042) = 47 (71 decimal)  
 Result: (0043) = BD (-67 decimal)  
 (0044) = 28 (+40 decimal)

Hint: Determine the sign of the result, perform an unsigned division, and adjust the quotient and remainder properly.

**5) Self-Checking Numbers Aligned 1, 3, 7 Mod 10**

**Purpose:** Calculate a checksum digit from a string of BCD digits. The length of the string of digits (number of words) is in memory location 0041; the string of digits (2 BCD digits to a word) starts in memory location 0042. Calculate the checksum digit by the Aligned 1, 3, 7 Mod 10 method and store it in memory location 0040.

The Aligned 1, 3, 7 Mod 10 technique works as follows:

- 1) Clear the checksum to start.
- 2) Add the leading digit to the checksum.
- 3) Multiply the next digit by 3 and add the result to the checksum.
- 4) Multiply the next digit by 7 and add the result to the checksum.
- 5) Continue the process (Steps 2-4) until you have used all the digits.
- 6) The self-checking digit is the least significant digit of the checksum.

For example, if the string of digits is

549321

the result will be

$$\begin{aligned} \text{Checksum} &= 5 + 3 \times 4 + 7 \times 9 + 3 + 3 \times 2 + 7 \times 1 = 96 \\ \text{Self-checking digit} &= 6 \end{aligned}$$

**Sample Problems:**

- a. (0041) = 03  
 (0042) = 36  
 (0043) = 68  
 (0044) = 51  
 Result: Checksum =  $3 + 3 \times 6 + 7 \times 6 + 8 + 3 \times 5 + 7 \times 1 = 96$   
 (0040) = 03
- b. (0041) = 04  
 (0042) = 50  
 (0043) = 29  
 (0044) = 16  
 (0045) = 83  
 Result: Checksum =  $5 + 3 \times 0 + 7 \times 2 + 9 + 3 \times 1 + 7 \times 6 + 8 + 3 \times 3 = 90$   
 (0040) = 00

Hint: Note that  $7 = 2 \times 3 + 1$  and  $3 = 2 \times 1 + 1$ , so the formula  $M_j = 2 \times M_{j-1} + 1$  can be used to calculate the next multiplying factor.



# Chapter 9

## TABLES AND LISTS

Tables and lists are two of the basic data structures used with all computers. We have already seen tables used to perform code conversions and arithmetic. Tables may also be used to identify or respond to commands and instructions, linearize data, provide access to files or records, define the meaning of keys or switches, and choose instruction sequences. Lists are usually less structured than tables. Lists may record tasks that the processor must perform, messages or data that the processor must record, or conditions that have changed or should be monitored. Tables are a simple way of making decisions or solving problems, since no computations or logical functions are necessary. The task, then, is reduced to organizing the table so that the proper entry is easy to find. Lists allow the execution of sequences of tasks, the preparation of sets of results, and the construction of interrelated data files (or data bases). Problems include how to add elements to a list and remove elements from it.

### EXAMPLES

#### Add Entry to List

**Purpose:** Add the contents of memory location 0040 to a list if it is not already present in the list. The length of the list is in memory location 0041 and the list itself begins in memory location 0042.

#### Sample Problems:

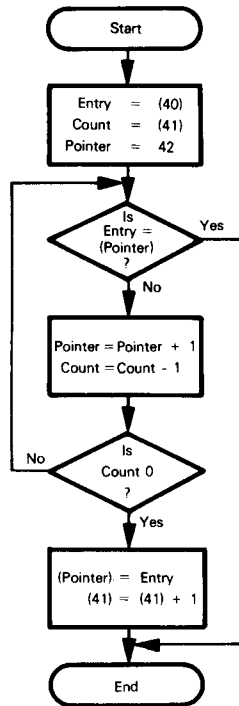
a.                   (0040) = 6B  
                      (0041) = 04  
                      (0042) = 37  
                      (0043) = 61  
                      (0044) = 38  
                      (0045) = 1D  
      Result: (0041) = 05  
                      (0046) = 6B

The entry is added to the list, since it is not already present. The length of the list is increased by 1.

b.                   (0040) = 6B  
                      (0041) = 04  
                      (0042) = 37  
                      (0043) = 6B  
                      (0044) = 38  
                      (0045) = 1D  
      Result: No change, since the entry is  
                      already in the list.

## 9-2 6800 Assembly Language Programming

### Flowchart:



### Source Program:

|       |      |       |                             |
|-------|------|-------|-----------------------------|
|       | LDX  | #\$42 | POINT TO START OF LIST      |
|       | LDAB | \$41  | COUNT = LENGTH OF LIST      |
|       | LDAA | \$40  | GET ENTRY                   |
| SRLST | CMPA | X     | IS ENTRY = ELEMENT IN LIST? |
|       | BEQ  | DONE  | YES, DONE                   |
|       | INX  |       |                             |
|       | DECB |       | ALL ENTRIES EXAMINED?       |
|       | BNE  | SRLST | NO, KEEP LOOKING            |
|       | STAA | X     | YES, ADD ENTRY TO LIST      |
|       | INC  | \$41  | ADD 1 TO LIST LENGTH        |
| DONE  | SWI  |       |                             |

**Object Program:**

| Memory Address<br>(Hex) | Memory Contents<br>(Hex) | Instruction<br>(Mnemonic) |
|-------------------------|--------------------------|---------------------------|
| 0000                    | CE 0042                  | LDX # \$42                |
| 0003                    | D6 41                    | LDAB \$41                 |
| 0005                    | 96 40                    | LDAA \$40                 |
| 0007                    | A1 00                    | SRLST CMPA X              |
| 0009                    | 27 09                    | BEQ DONE                  |
| 000B                    | 08                       | INX                       |
| 000C                    | 5A                       | DECB                      |
| 000D                    | 26 F8                    | BNE SRLST                 |
| 000F                    | A7 00                    | STAA X                    |
| 0011                    | 7C 0041                  | INC \$41                  |
| 0014                    | 3F                       | DONE SWI                  |

**HASHING**

Clearly, this method of adding elements is very inefficient if the list is long. We could improve the procedure by limiting the search to part of the list or by ordering the list. We could limit the search by using the entry to get a starting point in the list. This method is called "hashing", and is much like selecting a starting page in a dictionary or directory on the basis of the first letter in an entry. We could order the list by numerical value. The search could then end when the list values went beyond the entry (larger or smaller, depending on the ordering technique used). A new entry would have to be inserted properly, and all the other entries would have to be moved down in the list.

The program could be restructured to use two tables. One table could provide a starting point in the other table; for example, the search point could be based on the most or least significant 4-bit digit in the entry.

The program does not work if the length of the list could be zero (what happens?). We could avoid this problem by checking the length initially. The initialization procedure would then be:

```

LDAB  $41    COUNT = LENGTH OF LIST
BEQ   ADELM  ADD ENTRY TO LIST IF LENGTH IS ZERO
.
.
.
ADELM STAA   X      YES, ADD ENTRY TO LIST
.
.
.
    
```

Unlike many other processors, the 6800's Zero bit is affected by transfer instructions such as Load and Store.

If each entry were longer than one word, a pattern-matching program would be necessary. The program would have to proceed to the next entry if a match failed; that is, skip over the last part of the current entry once a mis-match was found.

## 9-4 6800 Assembly Language Programming

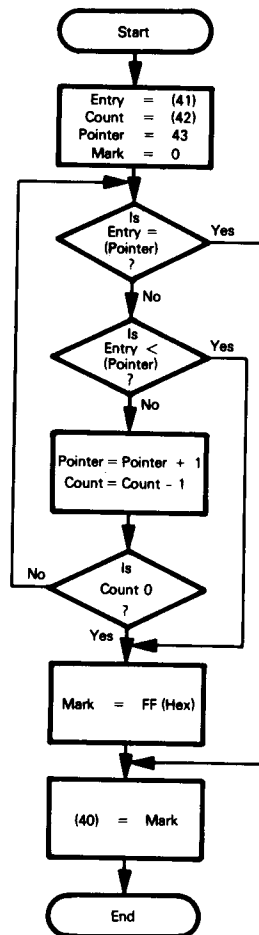
### Check an Ordered List

**Purpose:** Check the contents of memory location 0041 to see if it is in an ordered list. The length of the list is in memory location 0042; the list itself begins in memory location 0043 and consists of unsigned binary numbers in increasing order. If the contents of location 0041 is in the list, clear memory location 0040; otherwise, set memory location 0040 to FF (hex).

#### Sample Problems:

- a.           (0041) = 6B  
              (0042) = 04  
              (0043) = 37  
              (0044) = 55  
              (0045) = 7D  
              (0046) = A1  
Result: (0040) = FF, since 6B is not in the list.
- b.           (0041) = 6B  
              (0042) = 04  
              (0043) = 37  
              (0044) = 55  
              (0045) = 6B  
              (0046) = A1  
Result: (0040) = 00, since 6B is in the list.

## Flowchart:



The searching process is a bit different here since the elements are ordered. Once we find an element larger than the entry, the search is over, since subsequent elements will be even larger. You may want to try an example to convince yourself that the procedure works.

As in the previous problem, a table or other method that could choose a good starting point would speed up the search. One method would be to start in the middle and determine which half of the list the entry was in, then divide the half into halves, etc. This method is called a binary search, since it divides the remaining part of the list in half each time. Knuth describes other searching techniques in his book The Art of Computer Programming, Volume III: Sorting and Searching, Addison-Wesley, Reading, Mass., 1978. Knuth also has discussed searching and hashing in a more elementary way in an article entitled "Algorithms" (see the April 1977 issue of Scientific American).

|                              |
|------------------------------|
| <b>SEARCHING<br/>METHODS</b> |
|------------------------------|

## 9-6 6800 Assembly Language Programming

### Source Program:

```
CLR    $40    MARK ELEMENT AS IN LIST
LDX    #$43   POINT TO START OF LIST
LDAB   $42    COUNT = LENGTH OF LIST
LDAA   $41    GET ENTRY
SRLST  CMPA   X    IS ENTRY = ELEMENT IN LIST?
      BEQ    DONE  YES, DONE
      BCS   NOTIN  ENTRY NOT IN LIST IF ELEMENT LARGER
      INX
      DECB
      BNE   SRLST  ALL ELEMENTS EXAMINED?
NOTIN  COM    $40  YES, MARK ELEMENT AS NOT IN LIST
DONE   SWI
```

### Object Program:

| Memory Address<br>(Hex) | Memory Contents<br>(Hex) | Instruction<br>(Mnemonic) |
|-------------------------|--------------------------|---------------------------|
| 0000                    | 7F 0040                  | CLR \$40                  |
| 0003                    | CE 0043                  | LDX #\$43                 |
| 0006                    | D6 42                    | LDAB \$42                 |
| 0008                    | 96 41                    | LDAA \$41                 |
| 000A                    | A1 00                    | SRLST CMPA X              |
| 000C                    | 27 09                    | BEQ DONE                  |
| 000E                    | 25 04                    | BCS NOTIN                 |
| 0010                    | 08                       | INX                       |
| 0011                    | 5A                       | DECB                      |
| 0012                    | 26 F6                    | BNE SRLST                 |
| 0014                    | 73 0040                  | NOTIN COM \$40            |
| 0017                    | 3F                       | DONE SWI                  |

This algorithm is a bit slower than the one in the example given under Add Entry to List because of the extra conditional Jump (BCS NOTIN). The average execution time for this simple search technique increases linearly with the length of the list, while the average execution time for a binary search increases logarithmically. For example, if the length of the list doubles, the simple technique takes twice as long on the average, while the binary search only requires one extra iteration.

### Remove Element from Queue

**Purpose:** Place the address of the first element (head) of a queue in memory locations 0040 and 0041 (MSBs in 0040) and update the queue so as to remove the element. Memory locations 0042 and 0043 contain the address of the head of the queue (MSBs in 0042). Each element in the queue is two bytes long and contains the address of the next two-byte element in the queue. The last element in the queue contains zero to indicate that there is no next element.

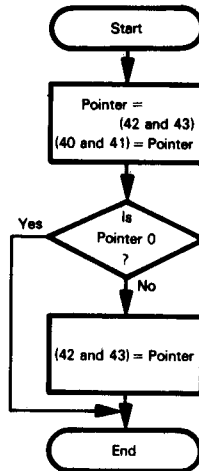
Queues are used to store data in the order in which it will be used, or tasks in the order in which they will be executed. The queue is a first-in, first-out data structure; i.e., elements are removed from the queue in the same order in which they were entered. Operating systems place tasks in queues so that they will be executed in the proper order. I/O drivers transfer data to or from queues so that it will be transmitted or handled in the proper order. Buffers may be queued so that the next available one can easily be found and those that are released can easily be added to the available storage. Queues may also be used to link requests for storage, timing, or I/O so that they can be satisfied in the correct order.

In real applications, each element in the queue will typically contain a large amount of information or storage space besides the address required to link the element to the next one.

**Sample Problems:**

- a.                   (0042) = 00    address of first element in queue  
                       (0043) = 46  
                       (0046) = 00    address of second element in queue  
                       (0047) = 4D  
                       (004D) = 00    end of queue  
                       (004E) = 00  
                       Result: (0040) = 00    address of element removed from queue  
                               (0041) = 46  
                               (0042) = 00    address of new first element in queue  
                               (0043) = 4D
- b.                   (0042) = 00    empty queue  
                       (0043) = 00  
                       Result: (0040) = 00    no element available from queue  
                               (0041) = 00

**Flowchart:**



**Source Program:**

|      |      |                                      |
|------|------|--------------------------------------|
| LDX  | \$42 | GET ADDRESS OF HEAD OF QUEUE         |
| STX  | \$40 | REMOVE HEAD OF QUEUE                 |
| BEQ  | DONE | DONE IF QUEUE WAS EMPTY              |
| LDX  | X    | GET ADDRESS OF NEXT ELEMENT IN QUEUE |
| STX  | \$42 | MOVE ELEMENT TO HEAD OF QUEUE        |
| DONE | SWI  |                                      |

## 9-8 6800 Assembly Language Programming

### Object Program:

| Memory Address<br>(Hex) | Memory Contents<br>(Hex) | Instruction<br>(Mnemonic) |
|-------------------------|--------------------------|---------------------------|
| 0000                    | DE 42                    | LDX \$42                  |
| 0002                    | DF 40                    | STX \$40                  |
| 0004                    | 27 04                    | BEQ DONE                  |
| 0006                    | EE 00                    | LDX X                     |
| 0008                    | DF 42                    | STX \$42                  |
| 000A                    | 3F                       | DONE SWI                  |

Queuing can handle lists that are not in sequential memory locations. Each element must contain the address of the next element. Such lists allow a user to change variables or fill in definitions in a program. Extra storage is required, but elements can easily be added or deleted.

Note the use of the 6800 16-bit instruction LDX. LDX with direct or indexed addressing loads the Index register with the contents of the specified address and the next sequential address. LDX is thus ideal for handling indirect addresses, since it fetches an entire 16-bit address from memory. This is useful in queuing and in jump tables, as well as in handling 16-bit data.

One problem is that the instruction LDX X destroys the previous contents of the Index register. So, those contents must be saved somewhere if you need to backtrack or get another element from an array or table. Another Index register would be a good addition to the 6800 architecture.

It may be useful to maintain pointers to both ends of the queue, rather than just to its head. The data structure may then be used in either a first-in, first-out manner or in a last-in, first-out manner, depending on whether new elements are added to the head or to the tail. How would you change the example program so that memory locations 0044 and 0045 contain the address of the last element (tail) of the queue?

If there are no elements in the queue, the program clears memory locations 0040 and 0041. A program that requested an element from the queue would then have to check those memory locations to see if its request had been satisfied. Can you suggest other ways to provide this information?

### 8-Bit Sort

**Purpose:** Sort an array of unsigned binary numbers into descending order. The length of the array is in memory location 0041 and the array itself begins in memory location 0042.

#### Sample Problem:

```
(0041) = 06
(0042) = 2A
(0043) = B5
(0044) = 60
(0045) = 3F
(0046) = D1
(0047) = 19
Result: (0042) = D1
        (0043) = B5
        (0044) = 60
        (0045) = 3F
        (0046) = 2A
        (0047) = 19
```

A simple sorting technique works as follows:

- Step 1) Set a flag INTER.
- Step 2) Examine each consecutive pair of numbers in the array. If any are out of order, exchange them and clear INTER.
- Step 3) If INTER = 0 after the entire array has been examined, return to Step 1.

**SIMPLE  
SORTING  
ALGORITHM**

INTER will be cleared if any consecutive pair of numbers is out of order. Therefore, if INTER = 1 at the end of a pass through the entire array, the array is in proper order.

This sorting method is referred to as a "bubble sort". It is an easy algorithm to implement. However, other sorting techniques should be considered when sorting long lists where speed is important.

The technique operates as follows in a simple case. Let us assume that we want to sort an array into descending order; the array has four elements — 12, 03, 15, 08.

1st Iteration:

- Step 1) INTER = 1
- Step 2) Final order of the array is:
  - 12
  - 15
  - 08
  - 03
 since the second pair (03, 15) is exchanged and so is the third pair (03, 08).  
INTER = 0.

2nd Iteration:

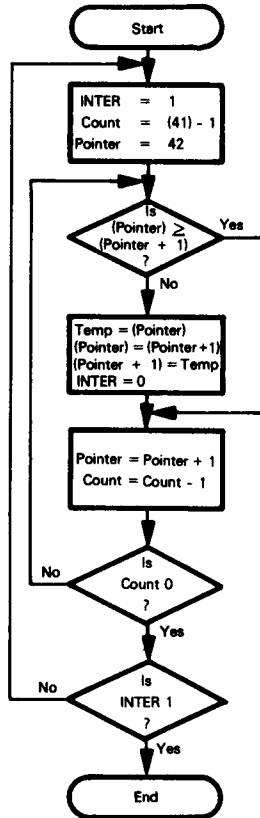
- Step 1) INTER = 1
- Step 2) Final order of the array is:
  - 15
  - 12
  - 08
  - 03
 since the first pair (12, 15) is exchanged. INTER = 0.

3rd Iteration:

- Step 1) INTER = 1
- Step 2) The elements are already in order, so no exchanges are necessary and INTER remains one.

9-10 6800 Assembly Language Programming

Flowchart:



**Source Program:**

```

SORT  LDAA  #1      INTERCHANGE FLAG = 1
      STAA  $40
      LDAA  $41      ADJUST ARRAY LENGTH TO NUMBER OF PAIRS
      DECA
      LDX   #$42     POINT TO START OF ARRAY
PASS  LDAB  X
      CMPB  1,X      IS PAIR OF ELEMENTS IN ORDER?
      BCC  COUNT     YES, TRY NEXT PAIR
      CLR   $40      NO, CLEAR INTERCHANGE FLAG
      PSHA  SAVE ARRAY COUNTER
      LDAA  1,X      INTERCHANGE ELEMENTS IF OUT OF ORDER
      STAB  1,X
      STAA  X
      PULA  RESTORE ARRAY COUNTER
COUNT INX
      DECA  COUNT DOWN FOR A PASS
      BNE  PASS
      TST  $40      WERE ALL ELEMENTS IN ORDER?
      BEQ  SORT     NO, GO THROUGH ARRAY AGAIN
      SWI
    
```

**Object Program:**

| Memory Address (Hex) | Memory Contents (Hex) | Instruction (Mnemonic) |
|----------------------|-----------------------|------------------------|
| 0000                 | 86 01                 | SORT LDAA #1           |
| 0002                 | 97 40                 | STAA \$40              |
| 0004                 | 96 41                 | LDAA \$41              |
| 0006                 | 4A                    | DECA                   |
| 0007                 | CE 0042               | LDX #\$42              |
| 000A                 | E6 00                 | PASS LDAB X            |
| 000C                 | E1 01                 | CMPB 1,X               |
| 000E                 | 24 0B                 | BCC COUNT              |
| 0010                 | 7F 0040               | CLR \$40               |
| 0013                 | 36                    | PSHA                   |
| 0014                 | A6 01                 | LDAA 1,X               |
| 0016                 | E7 01                 | STAB 1,X               |
| 0018                 | A7 00                 | STAA X                 |
| 001A                 | 32                    | PUL A                  |
| 001B                 | 08                    | COUNT INX              |
| 001C                 | 4A                    | DECA                   |
| 001D                 | 26 EB                 | BNE PASS               |
| 001F                 | 7D 0040               | TST \$40               |
| 0022                 | 27 DC                 | BEQ SORT               |
| 0024                 | 3F                    | SWI                    |

Before starting each sorting pass, we must be careful to reinitialize the Counter, Pointer, and Interchange flag.

There are many sorting algorithms that vary widely in efficiency. Knuth describes some in the book mentioned earlier (The Art of Computer Programming, Volume III: Sorting and Searching). Sorting and searching algorithms are also discussed in K.A. Schember and J.R. Rumsey "Minimal Storage Sorting and Searching Techniques for RAM Applications, a Tutorial", Computer, June 1977, pp. 92-100.

**OTHER SORTING METHODS**

## 9-12 6800 Assembly Language Programming

The program must reduce the Counter by 1, since the number of consecutive pairs is one less than the number of elements (the last element has no successor).

Indexing is convenient here since the program can refer to the elements in the pair with the same address in the Index register but different offsets.

### Using an Ordered Jump Table

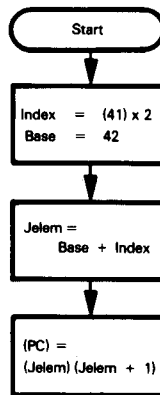
**Purpose:** Use the contents of memory location 0041 as an index to a jump table starting in memory location 0042. Each entry in the jump table contains a 16-bit address with the MSBs in the first word. The program should transfer control to the address with the appropriate index; that is, if the index is 6, the program jumps to address entry 06 in the table. Assume that the table has fewer than 128 entries.

#### Sample Problem:

(0041) = 02  
(0042) = 00  
(0043) = 48  
(0044) = 00  
(0045) = 4C  
(0046) = 00  
(0047) = 50  
(0048) = 00  
(0049) = 54

Result: (PC) = 0050, since that is entry #2  
(starting from zero) in the jump table.

#### Flowchart:



The last box results in a transfer of control to the address obtained from the table.

#### Source Program:

|     |        |                                |
|-----|--------|--------------------------------|
| CLR | \$40   | MSBS OF JUMP TABLE ADDRESS = 0 |
| ASL | \$41   | INDEX = DATA TIMES TWO         |
| LDX | \$40   | GET OFFSET ADDRESS             |
| LDX | \$42,X | GET ADDRESS FROM JUMP TABLE    |
| JMP | X      | AND JUMP TO IT                 |

**Object Program:**

| Memory Address<br>(Hex) | Memory Contents<br>(Hex) | Instruction<br>(Mnemonic) |
|-------------------------|--------------------------|---------------------------|
| 0000                    | 7F 0040                  | CLR \$40                  |
| 0003                    | 78 0041                  | ASL \$41                  |
| 0006                    | DE 40                    | LDX \$40                  |
| 0008                    | EE 42                    | LDX \$42,X                |
| 000A                    | 6E 00                    | JMP X                     |

Jump tables are very useful in situations where one of several routines must be selected. Such situations arise in decoding commands, selecting test programs, choosing alternate methods, or selecting an I/O configuration.

The jump table replaces a whole series of conditional jump operations. The program that accesses the jump table could be used to access several different tables merely by changing the starting address.

The data must be multiplied by two to give the correct index, since each entry in the jump table is a two-word address.

Generally, the Index register must contain the eight most significant bits of the starting address of the jump table and the data; i.e., if the jump table started at an address given by JTABU (8 MSBs) and JTABL (8 LSBs), the accessing program would be:

```

LDAA #JTABU
STAA $40      GET MSBS OF JUMP TABLE ADDRESS
ASL  $41      INDEX = DATA TIMES TWO
LDX  $40      GET OFFSET ADDRESS
LDX  JTABL,X  GET ADDRESS FROM JUMP TABLE
JMP  X        AND JUMP TO IT

```

The instruction LDX fetches an entire 16-bit address and places it in the Index register.

No ending operation is necessary, since JMP X transfers control to the address in the jump table.

There are additional examples of the use of jump tables in L.A. Leventhal, "Cut Your Processor's Computation Time", Electronic Design, August 16, 1977, pp. 82-89, and in Chapter 7 of J.B. Peatman, Microcomputer-Based Design, McGraw-Hill, New York, 1977.

## PROBLEMS

### 1) Remove an Entry From a List

**Purpose:** Remove the contents of memory location 0040 from a list if it is present. The length of the list is in memory location 0041 and the list itself begins in memory location 0042. Move the entries below the one removed up one position and reduce the length of the list by 1.

**Sample Problems:**

- a.                   (0040) = 6B  
                      (0041) = 04  
                      (0042) = 37  
                      (0043) = 61  
                      (0044) = 28  
                      (0045) = 1D  
      Result: No change, since the entry is not in the list.
- b.                   (0040) = 6B  
                      (0041) = 04  
                      (0042) = 37  
                      (0043) = 6B  
                      (0044) = 28  
                      (0045) = 1D  
      Result: (0041) = 03  
                      (0043) = 28  
                      (0044) = 1D

The entry is removed from the list and the ones below it are moved up one position. The length of the list is reduced by 1.

### 2) Add an Entry to an Ordered List

**Purpose:** Place the contents of memory location 0041 in an ordered list if it is not already there. The length of the list is in memory location 0042, and the list itself begins in memory location 0043, which consists of unsigned binary numbers in increasing order. Place the new entry in the correct position in the list, adjust the elements below it down, and increase the length of the list by 1.

**Sample Problems:**

- a.                   (0041) = 6B  
                      (0042) = 04  
                      (0043) = 37  
                      (0044) = 55  
                      (0045) = 7D  
                      (0046) = A1  
      Result: (0042) = 05  
                      (0045) = 6B  
                      (0046) = 7D  
                      (0047) = A1
- b.                   (0041) = 6B  
                      (0042) = 04  
                      (0043) = 37  
                      (0044) = 55  
                      (0045) = 6B  
                      (0046) = A1  
      Result is no change, since the entry is already in the list.

### 3) Add an Element to a Queue

**Purpose:** Add the address in memory locations 0040 and 0041 (MSBs in 0040) to a queue. The address of the first element of the queue is in memory locations 0042 and 0043 (MSBs in 0042). Each element in the queue contains either the address of the next element in the queue or zero if there is no next element; all addresses are 16 bits long with the most significant bits in the first byte of the element. The new element goes at the end (tail) of the queue; its address will be in the element that was at the end of the queue and it will contain zero to indicate that it is now the end of the queue.

**Sample Problem:**

|         |             |                                  |
|---------|-------------|----------------------------------|
|         | (0040) = 00 | new element to be added to queue |
|         | (0041) = 4D |                                  |
|         | (0042) = 00 | pointer to head of queue         |
|         | (0043) = 46 |                                  |
|         | (0046) = 00 | last element in queue            |
|         | (0047) = 00 |                                  |
| Result: | (0046) = 00 | old last element points to       |
|         | (0047) = 4D | new last element                 |
|         | (004D) = 00 | new last element in queue        |
|         | (004E) = 00 |                                  |

How would you add an element to the queue if memory locations 0044 and 0045 contained the address of the tail (last element) of the queue?

### 4) 16-Bit Sort

**Purpose:** Sort an array of unsigned 16-bit binary numbers into descending order. The length of the array is in memory location 0040 and the array itself begins in memory location 0041. Each 16-bit number is stored with the most significant bits in the first byte.

**Sample Problem:**

|         |             |
|---------|-------------|
|         | (0040) = 03 |
|         | (0041) = 19 |
|         | (0042) = D1 |
|         | (0043) = 3F |
|         | (0044) = 60 |
|         | (0045) = B5 |
|         | (0046) = 2A |
| Result: | (0041) = B5 |
|         | (0042) = 2A |
|         | (0043) = 3F |
|         | (0044) = 60 |
|         | (0045) = 19 |
|         | (0046) = D1 |

The numbers are B52A, 3F60, and 19D1.

### 5) Using a Jump Table With a Key

**Purpose:** Use the contents of memory location 0040 as the key to a jump table starting in memory location 0041. Each entry in the jump table contains an 8-bit key value followed by a 16-bit address (MSBs in first byte) to which the program should transfer control if the key is equal to that key value.

**Sample Problem:**

|              |   |                                                       |
|--------------|---|-------------------------------------------------------|
| (0040)       | = | 38                                                    |
| (0041)       | = | 32                                                    |
| (0042)       | = | 00                                                    |
| (0043)       | = | 4B                                                    |
| (0044)       | = | 35                                                    |
| (0045)       | = | 00                                                    |
| (0046)       | = | 4D                                                    |
| (0047)       | = | 38                                                    |
| (0048)       | = | 00                                                    |
| (0049)       | = | 4F                                                    |
| Result: (PC) | = | 004F, since that address corresponds to key value 38. |

# Chapter 10

## SUBROUTINES

None of the examples that we have shown so far is typically a program all by itself. Most real programs perform a series of tasks, many of which may be the same or may be common to several different programs. We need a way to formulate these tasks once and make the formulations conveniently available both in different parts of the current program and in other programs.

The standard method is to write subroutines that perform particular tasks. The resulting sequences of instructions can be written once, tested, and then used repeatedly. They can form a subroutine library that provides documented solutions to common problems.

**SUBROUTINE  
LIBRARY**

Most microprocessors have special instructions for transferring control to subroutines and restoring control to the main program. We often refer to the special instruction that transfers control to a subroutine as Call, Jump-to-Subroutine, Jump and Mark Place, or Jump and Link. The special instruction that restores control to the main program is usually called Return. On the 6800 microprocessor, the Jump-to-Subroutine (JSR) or Branch-to-Subroutine (BSR) instruction saves the old value of the Program Counter in the RAM Stack before placing the starting address of the subroutine in the Program Counter; the Return from Subroutine (RTS) instruction gets the old value from the Stack and puts it back in the Program Counter. The effect is to transfer program control, first to the subroutine and then back to the main program. Clearly the subroutine may itself transfer control to a subroutine, and so on.

**SUBROUTINE  
INSTRUCTIONS**

In order to be really useful, a subroutine must be general. A routine that can only perform a specialized task, such as looking for a particular letter in an input string of fixed length, will not be very useful. If, on the other hand, the subroutine can look for any letter in strings of any length, it will be far more helpful. We call the data or addresses that the subroutine allows to vary "parameters". An important part of writing subroutines is deciding which variables should be parameters.

One problem is transferring the parameters to the subroutine; this process is called passing parameters. The simplest method is for the main program to place the parameters in registers.

**PASSING  
PARAMETERS**

Then the subroutine can simply assume that the parameters are there. Of course, this technique is limited by the number of registers that are available. The parameters may, however, be addresses as well as data. For example, a sorting routine could begin with the starting address of an array in the Index register.

Other methods are necessary when there are more parameters. One possibility is to use the Stack. The main program can place the parameters in the Stack and the subroutine can retrieve them. The advantages of this method are that the Stack is essentially unlimited in size, and that data in the Stack is not lost even if the Stack is used again. The disadvantages are that few 6800 instructions use the Stack, and the Jump-to-Subroutine instruction also stores the return address in the Stack. Another method is to use an area of memory for parameters. The main program can place the address of the area in the Index register, and the subroutine can then retrieve the data as needed. However, this procedure is awkward if the parameters themselves are addresses.

Sometimes a subroutine must have special characteristics. A subroutine is relocatable if it can be placed anywhere in memory. You can use such a subroutine easily regardless of the placement of other programs or the arrangement of the memory. A strictly relocatable program can use no absolute addresses; all addresses must be relative to the start of the program. A relocating loader must be used to place the program in memory; the loader will start the program after other programs and will add the starting address or relocation constant to all addresses in the program.

**RELOCATION**

A subroutine is re-entrant if it can be interrupted and re-entered by the interrupting program. Re-entrancy is important for standard subroutines in an interrupt-based system. Otherwise the interrupt service routines cannot use the standard subroutines without causing errors. Microprocessor subroutines are easy to make re-entrant, since the Call instruction uses the Stack and that procedure is automatically re-entrant. The only remaining requirement is that the subroutine use the registers and Stack rather than fixed memory locations for temporary storage. This is a bit awkward, but usually can be done if necessary.

**RE-ENTRANT SUBROUTINE**

A subroutine is recursive if it calls itself. Such a subroutine clearly must also be re-entrant. However, recursive subroutines are uncommon in microprocessor applications.

Most programs consist of a main program and several subroutines. This is advantageous because you can use proven routines and debug and test the other subroutines separately. You must, however, be careful to use the subroutines properly and remember their exact effects on registers and memory locations.

**SUBROUTINE DOCUMENTATION**

Subroutine listings must provide enough information so that users need not examine the subroutine's internal structure. Among the necessary specifications are:

**DOCUMENTING SUBROUTINES**

- A description of the purpose of the subroutine
- A list of parameters
- Registers and memory locations used
- A sample case

If these guidelines are followed, the subroutine will be easy to use.

**EXAMPLES**

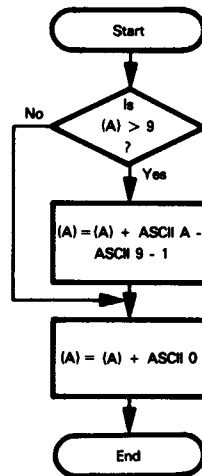
Important note: The following examples all reserve an area of memory for the RAM Stack and save and restore the Monitor Stack Pointer. We have used address 0058 as the starting point for the Stack, and addresses 003E and 003F to store the Monitor Stack Pointer. You may prefer to use the Stack area assigned by the monitor in your microcomputer. You may also have to consistently replace the addresses that we have used with ones more suitable for your configuration. You should consult your microcomputer's manual to determine the required changes.

**Hex to ASCII**

**Purpose:** Convert the contents of Accumulator A to an ASCII character. Place the result in Accumulator A. Assume that A contains a single hexadecimal digit.

**Sample Problems:**

- a.                   (A) = 0C  
      Result:       (A) = 43 'C'
- b.                   (A) = 06  
      Result:       (A) = 36 '6'

**Flowchart:**

The calling program starts the Stack at memory location 0058, gets the data from memory location 0040, calls the conversion subroutine, and stores the result in memory location 0041.

**Source Program:**

```

ORG      0
STS      $3E      SAVE MONITOR STACK POINTER
LDS      #$58      START STACK AT MEMORY LOCATION 0058
LDAA     $40      GET DATA
JSR      ASDEC     CONVERT TO ASCII
STAA     $41      STORE RESULT
LDS      $3E      RESTORE MONITOR STACK POINTER
SWI
  
```

The subroutine converts a hexadecimal digit to ASCII.

```

ASDEC    ORG      $20
          CMPA     #9      IS DATA 9 OR LESS?
          BLS      ASCZ
          ADDA     #'A'-9-1 NO. ADD OFFSET FOR LETTERS
ASCZ     ADDA     #'0'      CONVERT DATA TO ASCII
          RTS
  
```

## 10-4 6800 Assembly Language Programming

### Subroutine Documentation:

- 
- \*SUBROUTINE ASDEC
- 
- \*PURPOSE: ASDEC CONVERTS A HEXADECIMAL
- DIGIT IN ACCUMULATOR A TO AN
- ASCII DIGIT IN ACCUMULATOR A
- 
- \*INITIAL CONDITIONS: HEX DIGIT IN A
- 
- \*FINAL CONDITIONS: ASCII CHARACTER IN A
- 
- \*REGISTERS USED: A
- 
- \*SAMPLE CASE
- INITIAL CONDITIONS: 6 IN ACCUMULATOR A
- FINAL CONDITIONS: ASCII 6 (HEX 36)
- IN ACCUMULATOR A
- 

### Object Program:

| Memory Address<br>(Hex) | Memory Contents<br>(Hex) | Instruction<br>(Mnemonic) |
|-------------------------|--------------------------|---------------------------|
| 0000                    | 9F 3E                    | STS \$3E                  |
| 0002                    | 8E 0058                  | LDS #\$58                 |
| 0005                    | 96 40                    | LDAA \$40                 |
| 0007                    | BD 0020                  | JSR ASDEC                 |
| 000A                    | 97 41                    | STAA \$41                 |
| 000C                    | 9E 3E                    | LDS \$3E                  |
| 000E                    | 3F                       | SWI                       |
| •                       |                          |                           |
| •                       |                          |                           |
| •                       |                          |                           |
| 0020                    | 81 09                    | ASDEC CMPA #9             |
| 0022                    | 23 02                    | BLS ASCZ                  |
| 0024                    | 8B 07                    | ADDA #'A'-9-1             |
| 0026                    | 8B 30                    | ADDA #0                   |
| 0028                    | 39                       | RTS                       |

The old Stack Pointer must generally be saved and restored so that SWI will transfer control back to the monitor properly. You may not have to manage the Stack Pointer if the monitor does it automatically.

The instruction LDS #\$58 starts the Stack at memory location 0058. Remember that the Stack grows downward (to lower addresses). We usually place the Stack at the end of the RAM so that it does not interfere with other temporary storage.

The Jump-to-Subroutine (JSR) instruction places the subroutine starting address (0020) in the Program Counter and saves the current Program Counter (000A) in the Stack. The procedure is:

Step 1) Save LSBs of current Program Counter in Stack Pointer, decrement Stack Pointer.

Step 2) Save MSBs of current Program Counter in Stack, decrement Stack Pointer.

Note that the Stack Pointer always contains the address of the next empty location.

The result in this case is:

```
(0058) = 0A
(0057) = 00
(SP)   = 0056
```

Remember that the value saved is the value of the Program Counter after the processor has fetched the entire JSR instruction from memory. Note that the address ends up in its usual 6800 form with the most significant bits in the lower of the two addresses.

The Return-from-Subroutine (RTS) instruction places the contents of the bottom (lowest) two memory locations of the Stack in the Program Counter. The procedure is:

- Step 1) Increment Stack Pointer, move eight bits from Stack to MSBs of Program Counter.
- Step 2) Increment Stack Pointer, move eight bits from Stack to LSBs of Program Counter.

The result in this case is:

```
PC   = (0057 and 0058)
      = 000A
(SP) = 0058
```

This subroutine has a single parameter and produces a single result. An Accumulator is the obvious place to put both.

The calling program involves three steps: placing the data in the Accumulator, calling the subroutine, and storing the result. The overall initialization must also place the Stack in the appropriate area of memory.

The subroutine is re-entrant since it uses no data memory; it is relocatable since the address ASCZ is relative. BSR, Branch-to-Subroutine, would make the calling program and subroutine relocatable.

Note that the Call instruction results in the execution of four or five instructions, taking 13 or 15 clock cycles. A subroutine call may result in an extended execution time even though it appears to be a single instruction in the program.

If you plan to use the Stack for parameters, remember that JSR places the return address at the top of the Stack. You can execute INS twice to get past the return address, but you must also remember to adjust the Stack Pointer properly before returning. You can also use the instruction TSX, which transfers the Stack Pointer plus 1 (i.e., the address of the first occupied location) to the Index register. Now the parameters start at the location with offset 2 (0 and 1 contain the 16-bit return address).

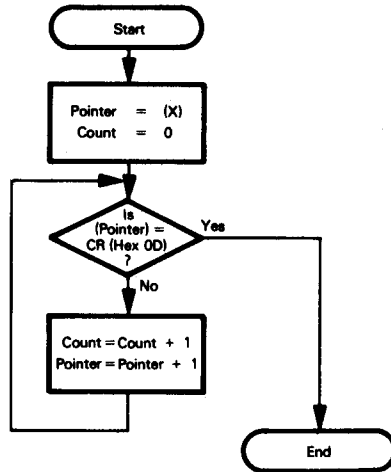
### Length of a String of Characters

**Purpose:** Determine the length of a string of ASCII characters. The starting address of the string is in the Index register. The end of the string is marked by a carriage return character (hex 0D). Place the length of the string (excluding the carriage return) in Accumulator B.

**Sample Problems:**

- a. (X) = 43  
(0043) = 0D  
Result: (B) = 00
- b. (X) = 0043  
(0043) = 52 'R'  
(0044) = 41 'A'  
(0045) = 54 'T'  
(0046) = 48 'H'  
(0047) = 45 'E'  
(0048) = 52 'R'  
(0049) = 0D CR  
Result: (B) = 06

**Flowchart:**



**Source Program:**

The calling program starts the Stack at memory location 0058, gets the starting address from memory locations 0040 and 0041, calls the string length subroutine, and stores the result in memory location 0042.

```

ORG      0
STS      $3E      SAVE MONITOR STACK POINTER
LDS      #$58      START STACK AT LOCATION 0058
LDX      $40      GET STARTING ADDRESS OF STRING
JSR      STLEN    DETERMINE STRING LENGTH
STAB     $42      STORE STRING LENGTH
LDS      $3E      RESTORE MONITOR STACK POINTER
SWI

```

The subroutine determines the length of a string of ASCII characters and places the length in Accumulator B.

```

ORG      $20
STLEN    CLRB      STRING LENGTH = 0
          LDAA     #$0D    GET 'CR' FOR COMPARISON
CHKCR    CMPA     X       IS CHARACTER 'CR'?
          BEQ      DONE    YES, END OF STRING
          INCB     NO, ADD 1 TO STRING LENGTH
          INX
          BRA      CHKCR
DONE     RTS

```

**Subroutine Documentation:**

- 
- \*SUBROUTINE STLEN
- 
- \*PURPOSE: STLEN DETERMINES THE LENGTH
  - OF A STRING (NUMBER OF CHARACTERS
  - BEFORE A CARRIAGE RETURN)
  -
- \*INITIAL CONDITIONS: STARTING ADDRESS
  - OF STRING IN INDEX REGISTER
  -
- \*FINAL CONDITIONS: NUMBER OF CHARACTERS IN B
  -
- \*REGISTERS USED: A,B,X
  -
- \*SAMPLE CASE
  - INITIAL CONDITIONS: (X) = 42
  - (0042) = 4D, (0043) = 41, (0044) = 4E, (0045) = 0D
  - FINAL CONDITIONS: (B) = 03

10-8 6800 Assembly Language Programming

**Object Program:**

| Memory Address<br>(Hex) | Memory Contents<br>(Hex) | Instruction<br>(Mnemonic) |
|-------------------------|--------------------------|---------------------------|
| 1) Calling program      |                          |                           |
| 0000                    | 9F 3E                    | STS \$3E                  |
| 0002                    | 8E 0058                  | LDS #\$58                 |
| 0005                    | DE 40                    | LDX \$40                  |
| 0007                    | BD 0020                  | JSR STLEN                 |
| 000A                    | D7 42                    | STAB \$42                 |
| 000C                    | 9E 3E                    | LDS \$3E                  |
| 000E                    | 3F                       | SWI                       |
| 2) Subroutine           |                          |                           |
| 0020                    | 5F                       | STLEN CLRB                |
| 0021                    | 86 0D                    | LDAA #\$0D                |
| 0023                    | A1 00                    | CHKCR CMPA X              |
| 0025                    | 27 04                    | BEQ DONE                  |
| 0027                    | 5C                       | INCB                      |
| 0028                    | 08                       | INX                       |
| 0029                    | 20 F8                    | BRA CHKCR                 |
| 002B                    | 39                       | DONE RTS                  |

This subroutine has a single parameter which is an address; the Index register is the obvious place to put it. The result is returned in Accumulator B.

The calling program involves three steps: placing the starting address of the string in the Index register, calling the subroutine, and storing the result. The overall initialization also must place the Stack in the appropriate area of memory.

The subroutine is re-entrant, since it does not use any fixed memory addresses for storage.

How would you rearrange the calling program and the subroutine so as to eliminate the unconditional jump in the subroutine?

The subroutine changes the address in the Index register as well as the contents of both Accumulators. The programmer must be aware that data stored in Accumulator A will be lost; the registers used must be part of the subroutine documentation. An alternative would be to save the old register contents in the Stack and restore them afterward, but this takes extra time and memory.

### Add Even Parity to ASCII Characters

**Purpose:** Add even parity to a string of 7-bit ASCII characters. The length of the string is in Accumulator B and the starting address of the string is in the Index register. Place even parity in the most significant bit of each character; that is, set the most significant bit to 1 if that makes the total number of 1 bits in the word even.

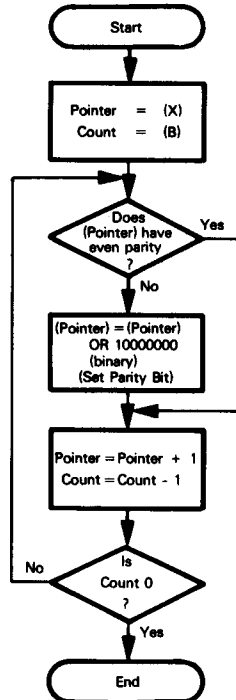
#### Sample Problem:

```

(B) = 6
(X) = 0041
(0041) = 31
(0042) = 32
(0043) = 33
(0044) = 34
(0045) = 35
(0046) = 36
Result: (0041) = B1
        (0042) = B2
        (0043) = 33
        (0044) = B4
        (0045) = 35
        (0046) = 36

```

#### Flowchart:



## 10-10 6800 Assembly Language Programming

### Source Program:

The calling program starts the Stack at memory location 0058, sets the starting address to 0041, gets the string length from memory location 0040, and calls the even parity subroutine.

```
ORG    0
STS    $3E    SAVE MONITOR STACK POINTER
LDS    #$58    START STACK AT LOCATION 0058
LDX    #$41    GET STARTING ADDRESS OF STRING
LDAB   $40    GET STRING LENGTH
JSR    EPAR    ADD EVEN PARITY TO STRING
LDS    $3E    RESTORE MONITOR STACK POINTER
SWI
```

The subroutine adds even parity to a string of ASCII characters.

```
ORG    $20
EPAR   PSHB    SAVE COUNT
      CLRA    PARITY = 0
      LDAB   X    GET CHARACTER FROM STRING
CHPAR  ABA    ADD BIT TO PARITY
      LSRB    EXAMINE NEXT BIT
      BNE    CHPAR  DONE IF REMAINING BITS ZERO
      RORA    MOVE PARITY TO CARRY
      RORB    MOVE PARITY TO MSB
      ORAB   X    ADD PARITY TO CHARACTER
      STAB  X
      INX
      PULB    RESTORE COUNT
      BNE    EPAR
      RTS
```

### Subroutine Documentation:

- 
- \*SUBROUTINE EPAR
- 
- \*PURPOSE: EPAR ADDS EVEN PARITY
- TO A STRING OF 7 BIT ASCII
- CHARACTERS
- 
- \*INITIAL CONDITIONS: STARTING ADDRESS
- OF STRING IN INDEX REGISTER, LENGTH
- OF STRING IN ACCUMULATOR B
- 
- \*FINAL CONDITIONS: EVEN PARITY IN
- MSB OF EACH CHARACTER
- 
- \*REGISTERS USED: A, B, X
- 
- \*SAMPLE CASE
- INITIAL CONDITIONS: (X) = 0041
- (B) = 2, (0041) = 32, (0042) = 33
- FINAL CONDITIONS: (0041) = B2, (0042) = 33
-

This subroutine has two parameters, an address, and a number. The Index register is used to pass the address, and Accumulator B is used to pass the number. No explicit results are returned, since the subroutine only affects the MSB of each character in the string.

The calling program must place the starting address of the string in the Index register and the length of the string in Accumulator B before transferring control to the subroutine.

The subroutine changes the values in Registers A, B, and X and uses the Stack for temporary storage. It is re-entrant, since it does not use any fixed addresses for temporary storage. PSHB saves the counter in the Stack, and PULB retrieves it after the parity has been calculated. When you use the Stack for temporary storage, be sure that no paths through the program accidentally leave data in the Stack.

**Object Program:**

| Memory Address<br>(Hex) | Memory Contents<br>(Hex) | Instruction<br>(Mnemonic) |        |
|-------------------------|--------------------------|---------------------------|--------|
| 1) Calling program      |                          |                           |        |
| 0000                    | 9F 3E                    | STS                       | \$3E   |
| 0002                    | 8E 0058                  | LDS                       | #\$58  |
| 0005                    | CE 0041                  | LDX                       | #\$41  |
| 0008                    | D6 40                    | LDAB                      | \$40   |
| 000A                    | BD 0020                  | JSR                       | EPAR   |
| 000D                    | 9E 3E                    | LDS                       | \$3E   |
| 000F                    | 3F                       | SWI                       |        |
| 2) Subroutine           |                          |                           |        |
| 0020                    | 37                       | EPAR                      | PSHB   |
| 0021                    | 4F                       |                           | CLRA   |
| 0022                    | E6 00                    |                           | LDAB X |
| 0024                    | 1B                       | CHPAR                     | ABA    |
| 0025                    | 54                       |                           | LSRB   |
| 0026                    | 26 FC                    | BNE                       | CHPAR  |
| 0028                    | 46                       |                           | RORA   |
| 0029                    | 56                       |                           | RORB   |
| 002A                    | EA 00                    | ORAB                      | X      |
| 002C                    | E7 00                    | STAB                      | X      |
| 002E                    | 08                       |                           | INX    |
| 002F                    | 33                       |                           | PULB   |
| 0030                    | 5A                       |                           | DECB   |
| 0031                    | 26 ED                    | BNE                       | EPAR   |
| 0033                    | 39                       |                           | RTS    |

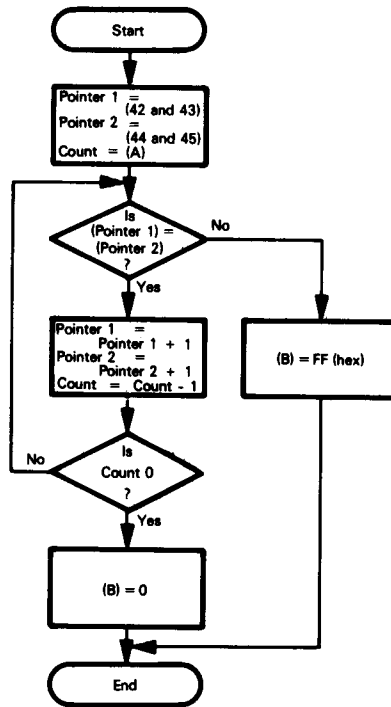
### Pattern Match

**Purpose:** Compare two strings of ASCII characters to see if they are the same. The length of the strings is in Accumulator A. The starting address of one string is in memory locations 0042 and 0043; the starting address of the other is in memory locations 0044 and 0045. If the two strings match, clear Accumulator B; otherwise, set Accumulator B to FF hex.

#### Sample Problems:

- a.
- |        |   |        |
|--------|---|--------|
| (A)    | = | 03     |
| (0042) | = | 00     |
| (0043) | = | 46     |
| (0044) | = | 00     |
| (0045) | = | 4A     |
| (0046) | = | 43 'C' |
| (0047) | = | 41 'A' |
| (0048) | = | 54 'T' |
| (004A) | = | 43 'C' |
| (004B) | = | 41 'A' |
| (004C) | = | 54 'T' |
- Result: (B) = 00, since the strings are the same.
- b.
- |        |   |        |
|--------|---|--------|
| (A)    | = | 03     |
| (0042) | = | 00     |
| (0043) | = | 46     |
| (0044) | = | 00     |
| (0045) | = | 4A     |
| (0046) | = | 52 'R' |
| (0047) | = | 41 'A' |
| (0048) | = | 54 'T' |
| (004A) | = | 43 'C' |
| (004B) | = | 41 'A' |
| (004C) | = | 54 'T' |
- Result: (B) = FF, since the first characters differ.

Flowchart:



## 10-14 6800 Assembly Language Programming

### Source Program:

The calling program starts the Stack at memory location 0058, places the starting addresses of the strings in memory locations 0042 and 0043 and 0044 and 0045, respectively, gets the string length from memory location 0040, calls the pattern match subroutine, and places the result in memory location 0041.

```
ORG      0
STS      $3E      SAVE MONITOR STACK POINTER
LDS      #$58      START STACK AT LOCATION 0058
LDX      #$46      GET STARTING ADDRESS OF STRING 1
STX      $42
LDX      #$4A      GET STARTING ADDRESS OF STRING 2
STX      $44
LDAB     $40      GET STRING LENGTH
JSR      PMTCH
STAB     $41      SAVE MATCH INDICATOR
LDS      $3E      RESTORE MONITOR STACK POINTER
SWI
```

The subroutine determines if the two strings are the same.

```
ORG      $20
PMTCH    LDX      $42      GET ELEMENT FROM STRING 1
        LDAA     X
        INX
        STX      $42
        LDX      $44
        CMPA    X        IS IT SAME AS ELEMENT IN STRING 2?
        BNE     DONE     NO, NO MATCH
        INX
        STX      $44
        DECB
        BNE     PMTCH    NO, KEEP COMPARING
        RTS      YES, MARKER = 0 FOR MATCH
DONE     LDAB     #$FF    MARKER = FF FOR NO MATCH
        RTS
```

### Subroutine Documentation:

- 
- SUBROUTINE PMTCH
- 
- PURPOSE: PMTCH DETERMINES IF TWO STRINGS ARE EQUIVALENT
- 
- INITIAL CONDITIONS: STARTING ADDRESSES OF STRINGS IN
- 0042 AND 0043, 0044 AND 0045. LENGTH OF STRINGS IN ACCUMULATOR B
- 
- FINAL CONDITIONS: 0 IN B IF STRINGS MATCH, FF IN B OTHERWISE
- 
- REGISTERS USED: A, B, X
- MEMORY LOCATIONS USED: 0042 THROUGH 0045
- 
- SAMPLE CASE
- INITIAL CONDITIONS: (0042 AND 0043) = 0046, (0044 AND 0045) = 004A,
- (A) = 2, (0046) = 36, (0047) = 39, (004A) = 36, (004B) = 39
- FINAL CONDITIONS: (B) = 0
-

**Object Program:**

| Memory Address<br>(Hex) | Memory Contents<br>(Hex) | Instruction<br>(Mnemonic) |
|-------------------------|--------------------------|---------------------------|
| 1) Calling program      |                          |                           |
| 0000                    | 9E 3E                    | STS \$3E                  |
| 0002                    | 8E 0058                  | LDS #\$58                 |
| 0005                    | CE 0046                  | LDX #\$46                 |
| 0008                    | DF 42                    | STX \$42                  |
| 000A                    | CE 004A                  | LDX #\$4A                 |
| 000D                    | DF 44                    | STX \$44                  |
| 000F                    | D6 40                    | LDAB \$40                 |
| 0011                    | BD 0020                  | JSR PMTCH                 |
| 0014                    | D7 41                    | STAB \$41                 |
| 0016                    | 9E 3E                    | LDS \$3E                  |
| 0018                    | 3F                       | SWI                       |
| 2) Subroutine           |                          |                           |
| 0020                    | DE 42                    | PMTCH LDX \$42            |
| 0022                    | A6 00                    | LDAA X                    |
| 0024                    | 08                       | INX                       |
| 0025                    | DF 42                    | STX \$42                  |
| 0027                    | DE 44                    | LDX \$44                  |
| 0029                    | A1 00                    | CMPA X                    |
| 002B                    | 26 07                    | BNE DONE                  |
| 002D                    | 08                       | INX                       |
| 002E                    | DF 44                    | STX \$44                  |
| 0030                    | 5A                       | DECB                      |
| 0031                    | 26 ED                    | BNE PMTCH                 |
| 0033                    | 39                       | RTS                       |
| 0034                    | C6 FF                    | DONE LDAB #\$FF           |
| 0036                    | 39                       | RTS                       |

This subroutine has three parameters — the two starting addresses and the length of the strings. Obviously, two starting addresses cannot fit into one Index register. Another Index register would be very convenient.

This subroutine, like the preceding ones, changes all the flags. You should generally assume that a subroutine call changes the flags unless it is specifically stated otherwise. If the main program needs the old flag values, it must save them in the Stack (the sequence TPA, PSHA will save the flags, and PULA, TAP will restore them).

The subroutine is not re-entrant, since it uses fixed addresses for storage. See if you can write a re-entrant version.

Obviously, subroutines become far more complicated as soon as the number of parameters exceeds the number of registers.

Note that this subroutine has two exit points (i.e., two RTS instructions).

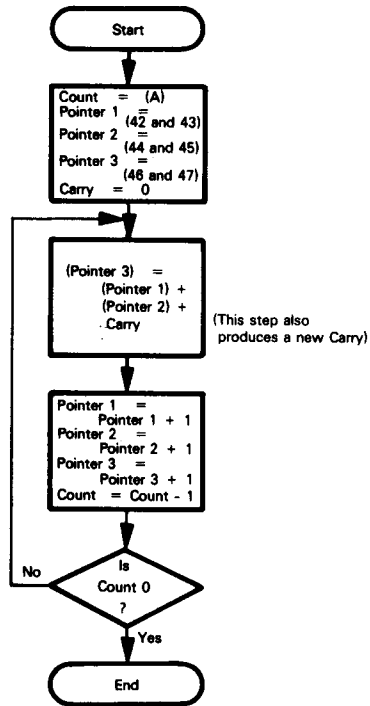
### Multiple-Precision Addition

**Purpose:** Add two multiple-word binary numbers. The length of the numbers (in words) is in Accumulator B, the starting addresses of the numbers are in memory locations 0042 and 0043 and 0044 and 0045, and the starting address of the result is in memory locations 0046 and 0047. All the numbers begin with the least significant bits.

**Sample Problem:**

```
(B) = 04
(0042 and 0043) = 0048
(0044 and 0045) = 004C
(0046 and 0047) = 0050
(0048) = C3
(0049) = A7
(004A) = 5B
(004B) = 2F
(004C) = B8
(004D) = 35
(004E) = DF
(004F) = 14
Result: (0050) = 7B
        (0051) = DD
        (0052) = 3A
        (0053) = 44
i.e.,   2F5BA7C3
        14DF35B8
        443ADD7B
```

## Flowchart:



## 10-18 6800 Assembly Language Programming

### Source Program:

The calling program starts the Stack at memory location 0058, sets the starting addresses of the various numbers to 0048, 004C, and 0050, respectively, gets the length of the numbers from memory location 0040, and calls the multiple-precision addition subroutine.

```
ORG      0
STS      $3E      SAVE MONITOR STACK POINTER
LDS      #$58      START STACK AT LOCATION 0058
LDX      #$48      GET STARTING ADDRESS OF FIRST NUMBER
STX      $42
LDX      #$4C      GET STARTING ADDRESS OF SECOND NUMBER
STX      $44
LDX      #$50      GET STARTING ADDRESS OF RESULT
STX      $46
LDAB     $40      GET LENGTH OF NUMBERS
JSR      MPADD
LDS      $3E      RESTORE MONITOR STACK POINTER
SWI
```

The subroutine performs multiple-precision binary addition.

```
ORG      $20
MPADD    CLC          CLEAR CARRY TO START
MP1      LDX      $42      GET WORD FROM FIRST NUMBER
        LDAA     X
        INX
        STX      $42
        LDX      $44
        ADCA     X          ADD WORD FROM SECOND NUMBER
        INX
        STX      $44
        LDX      $46
        STAA     X          STORE RESULT
        INX
        STX      $46
        DECB
        BNE     MP1
        RTS
```

**Subroutine Documentation:**

- 
- \*SUBROUTINE MPADD
- 
- \*PURPOSE: MPADD ADDS TWO
- MULTIPLE-WORD BINARY NUMBERS
- 
- \*INITIAL CONDITIONS: STARTING ADDRESSES
- OF NUMBERS IN 0042 AND 0043, 0044 AND 0045
- STARTING ADDRESS OF RESULT IN
- 0046 AND 0047, LENGTH OF NUMBERS IN B
- 
- \*REGISTERS USED: ALL
- \*MEMORY LOCATIONS USED: 0042 THROUGH 0047
- 
- \*SAMPLE CASE:
- INITIAL CONDITIONS: (0042 AND 0043) = 0048, (0044 AND
- 0045) = 004C, (0046 AND 0047) = 0050, (B) = 2, (0048) = C3,
- (0049) = A7, (004C) = B8, (004D) = 35
- FINAL CONDITIONS: (0050) = 7B, (0051) = DD
-

10-20 6800 Assembly Language Programming

**Object Program:**

| Memory Address<br>(Hex) | Memory Contents<br>(Hex) | Instruction<br>(Mnemonic) |
|-------------------------|--------------------------|---------------------------|
| 1) Calling program      |                          |                           |
| 0000                    | 9F 3E                    | STS \$3E                  |
| 0002                    | 8E 0058                  | LDS #\$58                 |
| 0005                    | CE 0048                  | LDX #\$48                 |
| 0008                    | DF 42                    | STX \$42                  |
| 000A                    | CE 004C                  | LDX #\$4C                 |
| 000D                    | DF 44                    | STX \$44                  |
| 000F                    | CE 0050                  | LDX #\$50                 |
| 0012                    | DF 46                    | STX \$46                  |
| 0014                    | D6 40                    | LDAB \$40                 |
| 0016                    | BD 0020                  | JSR MPADD                 |
| 0019                    | 9E 3E                    | LDS \$3E                  |
| 001B                    | 3F                       | SWI                       |
| 2) Subroutine           |                          |                           |
| 0020                    | 0C                       | MPADD CLC                 |
| 0021                    | DE 42                    | MP1 LDX \$42              |
| 0023                    | A6 00                    | LDAA X                    |
| 0025                    | 08                       | INX                       |
| 0026                    | DF 42                    | STX \$42                  |
| 0028                    | DE 44                    | LDX \$44                  |
| 002A                    | A9 00                    | ADCA X                    |
| 002C                    | 08                       | INX                       |
| 002D                    | DF 44                    | STX \$44                  |
| 002F                    | DE 46                    | LDX \$46                  |
| 0031                    | A7 00                    | STAA X                    |
| 0033                    | 08                       | INX                       |
| 0034                    | DF 46                    | STX \$46                  |
| 0036                    | 5A                       | DECB                      |
| 0037                    | 26 E8                    | BNE MP1                   |
| 0039                    | 39                       | RTS                       |

This subroutine is not re-entrant, since it uses fixed addresses for storage. How would you write a re-entrant version?

## PROBLEMS

Note that you are to write both a calling program for the sample problem and a properly documented subroutine.

### 1) ASCII to Hex

**Purpose:** Convert the contents of Accumulator A from the ASCII representation of a hexadecimal digit to the 4-bit binary representation of the digit. Place the result in Accumulator A.

**Sample Problems:**

- a.                   (A) = 43 'C'  
                   Result: (A) = 0C
- b.                   (A) = 36 '6'  
                   Result: (A) = 06

### 2) Length of an ASCII Message

**Purpose:** Determine the length of an ASCII-coded message. The starting address of the string of characters in which the message is embedded is in the Index register. The message itself starts with an ASCII STX character (hex 02) and ends with ASCII ETX (hex 03). Place the length of the message (the number of characters between the STX and the ETX) in Accumulator B.

**Sample Problem:**

(X) = 0041  
 (0041) = 49  
 (0042) = 02 STX  
 (0043) = 47 'G'  
 (0044) = 4F 'O'  
 (0045) = 03 ETX  
 Result: (B) = 02

### 3) Check Even Parity in ASCII Characters

**Purpose:** Check the even parity of a string of ASCII characters. The length of the string is in Accumulator A and the starting address of the string is in the Index register. If the parity of all the characters in the string is correct, clear Accumulator B; otherwise, set Accumulator B to FF hex (all ones).

**Sample Problems:**

- a.                   (A) = 03  
                   (X) = 0042  
                   (0042) = B1  
                   (0043) = B2  
                   (0044) = 33  
                   Result: (B) = 00, since all the characters have even parity.
- b.                   (A) = 03  
                   (X) = 0042  
                   (0042) = B1  
                   (0043) = B6  
                   (0044) = 33  
                   Result: (B) = FF, since the character in memory location 0043 does not have even parity.

#### 4) String Comparison

**Purpose:** Compare two strings of ASCII characters to see which is larger (i.e., which follows the other in 'alphabetical' ordering). The length of the strings is in Accumulator A; the starting address of string 1 is in memory locations 0042 and 0043, and the starting address of string 2 is in memory locations 0044 and 0045. If string 1 is larger than or equal to string 2, clear Accumulator B; otherwise, set Accumulator B to FF hex (all ones).

**Sample Problems:**

- a.
- |                 |   |        |
|-----------------|---|--------|
| (A)             | = | 03     |
| (0042 and 0043) | = | 0046   |
| (0044 and 0045) | = | 004A   |
| (0046)          | = | 43 'C' |
| (0047)          | = | 41 'A' |
| (0048)          | = | 54 'T' |
| (004A)          | = | 42 'B' |
| (004B)          | = | 41 'A' |
| (004C)          | = | 54 'T' |
- Result: (B) = 00, since CAT is 'larger' than BAT.
- b.
- |                 |   |        |
|-----------------|---|--------|
| (A)             | = | 03     |
| (0042 and 0043) | = | 0046   |
| (0044 and 0045) | = | 004A   |
| (0046)          | = | 44 'D' |
| (0047)          | = | 4F 'O' |
| (0048)          | = | 47 'G' |
| (004A)          | = | 44 'D' |
| (004B)          | = | 4F 'O' |
| (004C)          | = | 47 'G' |
- Result: (B) = 00, since the two strings are equal.
- c.
- |                 |   |        |
|-----------------|---|--------|
| (A)             | = | 03     |
| (0042 and 0043) | = | 0046   |
| (0044 and 0045) | = | 004A   |
| (0046)          | = | 43 'C' |
| (0047)          | = | 41 'A' |
| (0048)          | = | 54 'T' |
| (004A)          | = | 43 'C' |
| (004B)          | = | 55 'U' |
| (004C)          | = | 54 'T' |
- Result: (B) = FF, since CUT is 'larger' than CAT.

## 5) Decimal Subtraction

**Purpose:** Subtract one multiple-byte decimal (BCD) number from another. The length of the numbers (in bytes) is in Accumulator A and the starting addresses of the numbers are in memory locations 0042 and 0043 and 0044 and 0045. Subtract the number with the starting address in 0044 and 0045 from the one with the starting address in 0042 and 0043. The starting address of the result is in memory locations 0046 and 0047. All the numbers begin with the least significant digits. The sign of the result is returned in Accumulator B — zero if the result is positive, FF (hex) if it is negative.

### Sample Problem:

```

(A) = 04
(0042 and 0043) = 0048
(0044 and 0045) = 004C
(0046 and 0047) = 0050
(0048) = 85
(0049) = 19
(004A) = 70
(004B) = 36
(004C) = 59
(004D) = 34
(004E) = 66
(004F) = 12
Result: (B) = 00 (positive result)
(0050) = 26
(0051) = 85
(0052) = 03
(0053) = 24
i.e.,
      36701985
     - 12663459
     + 24038526
  
```



# Chapter 11

## INPUT/OUTPUT

There are two problems in the design of input/output sections: one is how to interface peripherals to the computer and transfer data, status, and control signals; the other is how to address I/O devices so that the CPU can select a particular one for a data transfer. Clearly, the first problem is both more complex and more interesting. We will therefore discuss the interfacing of peripherals here and leave addressing to a more hardware-oriented book.

In theory, the transfer of data to or from an I/O device is similar to the transfer of data to or from memory. In fact, we can consider the memory as just another I/O device. The memory is, however, rather special for the following reasons:

**I/O AND  
MEMORY**

- 1) It operates at almost the same speed as the processor.
- 2) It uses the same type of binary voltage signals as the CPU. The only circuits usually needed to interface the memory to the CPU are drivers, receivers, and level translators.
- 3) It requires no special formats or any control signals besides a Read/Write pulse.
- 4) It automatically latches data sent to it.
- 5) Its word length is the same as that of the computer.

Most I/O devices do not have such convenient features. They may operate at speeds much slower than the processor; for example, a teletypewriter can transfer only 10 characters per second, while a slow processor can transfer 10,000 characters per second. The range of speeds is also very wide — sensors may provide one reading per minute, while video displays or floppy disks may transfer 250,000 bits per second. Furthermore, I/O devices may require continuous signals (motors or thermometers), currents rather than voltages (teletypewriters), or voltages at far different levels than the signals used by the processor (gas-discharge displays). I/O devices may also require special formats, protocols, or control signals. Their word length may be much shorter or much longer than the word length of the computer. All of these variations mean that the design of I/O sections is difficult and has few general principles. Each peripheral presents its own special interfacing problem.

We may, however, provide a general description of devices and interfacing methods. We may roughly separate devices into three categories, based on their data rates:

**I/O  
CATEGORIES**

- 1) Slow devices that change state no more than once per second. Changing their states typically requires milliseconds or longer. Such devices include lighted displays, switches, relays, and many mechanical sensors and actuators.
- 2) Medium-speed devices that transfer data at rates of 1 to 10,000 bits per second. Such devices include keyboards, printers, card readers, paper tape readers and punches, cassettes, ordinary communications lines, and many analog data acquisition systems.
- 3) High-speed devices that transfer data at rates of over 10,000 bits per second. Such devices include magnetic tapes, magnetic disks, high-speed line printers, high-speed communications lines, and video displays.

## 11-2 6800 Assembly Language Programming

The interfacing of slow devices is simple. Few control signals are necessary except for multiplexing; that is, handling several devices from one port, as shown in Figures 11-1 to 11-4. Input data from slow devices need not be latched, since it remains stable for a long time interval. Output data must, of course, be latched. The only problems with input are transitions that occur while the computer is reading the data. One-shots, cross-coupled latches, or software delay routines can smooth the transitions.

### INTERFACING SLOW DEVICES

A single port can handle several slow devices. Figure 11-1 shows a demultiplexer that automatically directs the next output data to the next device by counting output operations. Figure 11-2 shows a control port that provides select inputs to a demultiplexer. The data outputs here can come in any order, but an additional output instruction is necessary to change the state of the control port. Output demultiplexers are commonly used to drive several displays from the same output port. Figures 11-3 and 11-4 show the same alternatives for an input multiplexer.

Note the differences between input and output with slow devices:

- 1) Input data need not be latched, since the input device holds the data for an enormous length of time by computer standards. Output data must be latched, since the output device will not respond to data that is only present for a few CPU clock cycles.
- 2) Input transitions cause problems because of their duration; brief output transitions cause no problems because the output devices react slowly.
- 3) The major constraints on input are reaction time and responsiveness; the major constraints on output are response time and observability.

Medium-speed devices must be synchronized in some way to the processor clock. The CPU cannot simply treat these devices as if they held their data forever or could receive data at any time. Instead, the CPU must be able to determine when a device has new input data or is ready to receive output data. It must also have a way of telling an output device that new data is available.

The standard unlocked procedure is the handshake. Here the sender indicates the availability of data to the receiver and transfers the data; the receiver completes the handshake by acknowledging the receipt of the data. The receiver may control the situation by initially requesting the data or by indicating its readiness to accept data; the sender then sends the data and completes the handshake by indicating that data is available. In either case, the sender knows that the transfer has been completed successfully and the receiver knows when new data is available.

### HANDSHAKE

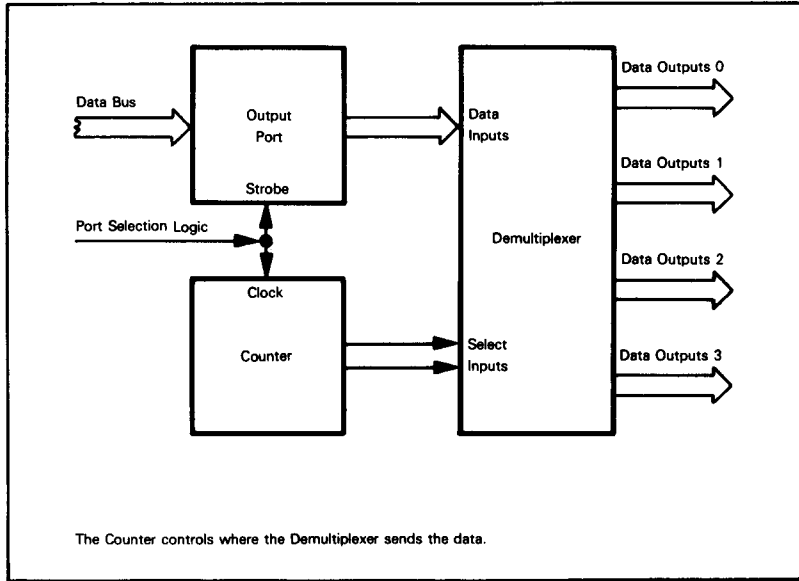


Figure 11-1. An Output Demultiplexer Controlled by a Counter

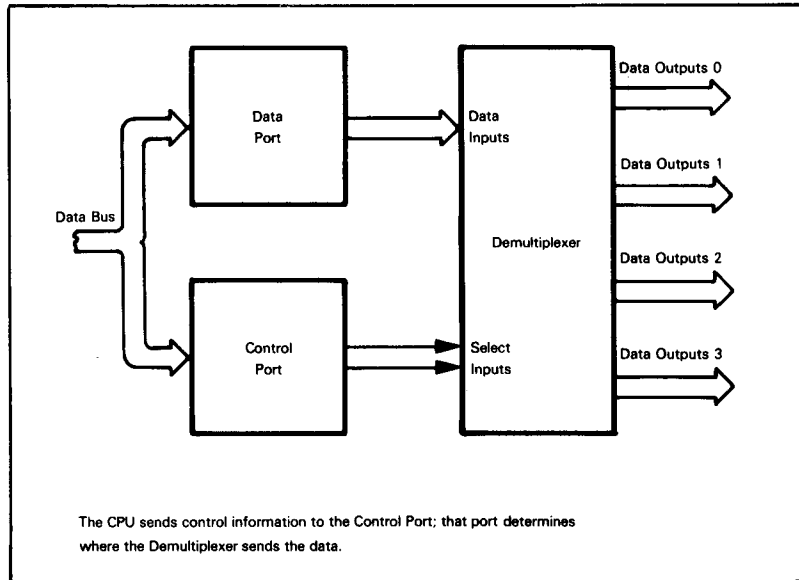


Figure 11-2. An Output Demultiplexer Controlled by a Port

11-4 6800 Assembly Language Programming

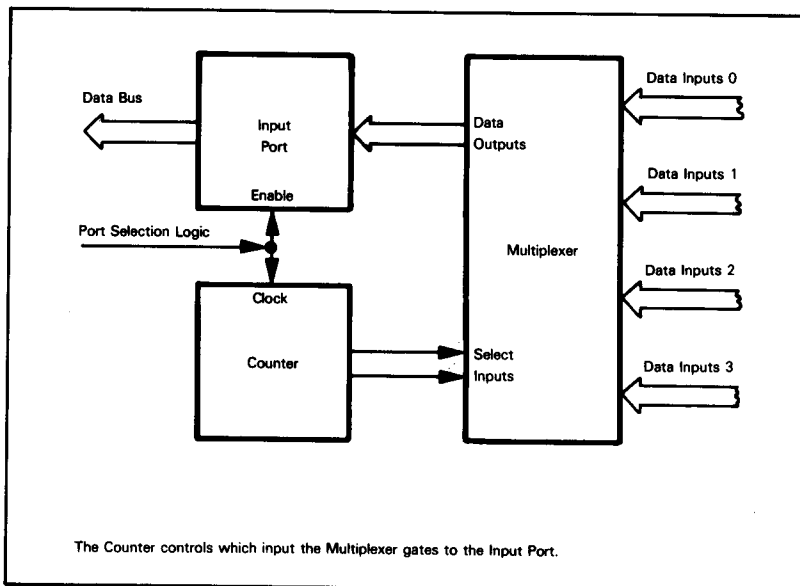


Figure 11-3. An Input Multiplexer Controlled by a Counter

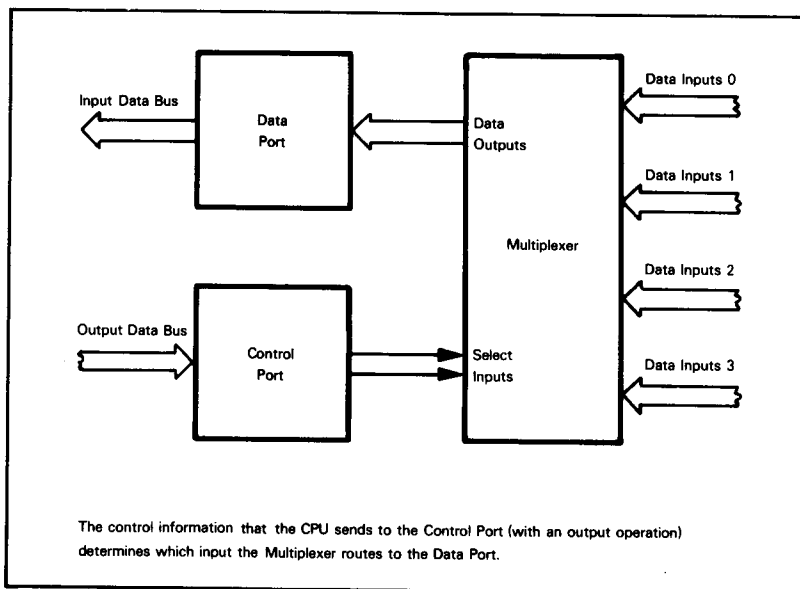


Figure 11-4. An Input Multiplexer Controlled by a Port

Figures 11-5 and 11-6 show typical input and output operations using the handshake method. The procedure whereby the CPU checks the readiness of the peripheral before transferring data is called "polling". Clearly, polling can occupy a large amount of processor time if there are many I/O devices. There are several ways of providing the handshake signals. Among these are:

- Separate dedicated I/O lines. The processor may handle these as additional I/O ports or through special lines or interrupts. The 6800 processor does not have serial I/O lines, but the 6820 Peripheral Interface Adapter does.
- Special patterns on the I/O lines. These may be single start and stop bits or entire characters or groups of characters. The patterns must be easy to distinguish from background noise or inactive states.

We often call a separate I/O line that indicates the availability of data or the occurrence of a transfer a "strobe". A strobe may, for example, clock data into a latch or fetch data from a buffer.

**STROBE**

Many peripherals transfer data at regular intervals; i.e., synchronously. Here the only problem is starting the process by lining up to the first input or marking the first output. In some cases, the peripheral provides a clock input from which the processor can obtain timing information.

Transmission errors are a problem with medium-speed devices. Several methods can lessen the likelihood of such errors; they include:

**REDUCING  
TRANSMISSION  
ERRORS**

- Sampling input data at the center of the transmission interval in order to avoid edge effects; that is, keep away from the edges where the data is changing.
- Sampling each input several times and using majority logic such as best three out of five.<sup>1</sup>
- Generating and checking parity; an extra bit is used that makes the number of 1 bits in the correct data even or odd.
- Using other error detecting and correcting codes such as checksums, LRC (longitudinal redundancy check), and CRC (cyclic redundancy check).<sup>2</sup>

High-speed devices that transfer more than 10,000 bits per second require special methods. The usual technique is to construct a special-purpose controller that transfers data directly between the memory and the I/O device. This process is called direct memory access (DMA). The DMA controller must force the CPU off the busses, provide addresses and control signals to the memory, and transfer the data. Such a controller will be fairly complex, typically consisting of 50 to 100 chips, although LSI devices are now available. For example, the 6844 Direct Memory Access Controller for 6800-based microcomputers is described in An Introduction to Microcomputers: Volume 2 — Some Real Microprocessors. The CPU must initially load the Address and Data Counters in the controller so that the controller will know where to start and how much to transfer.

**DIRECT  
MEMORY  
ACCESS**

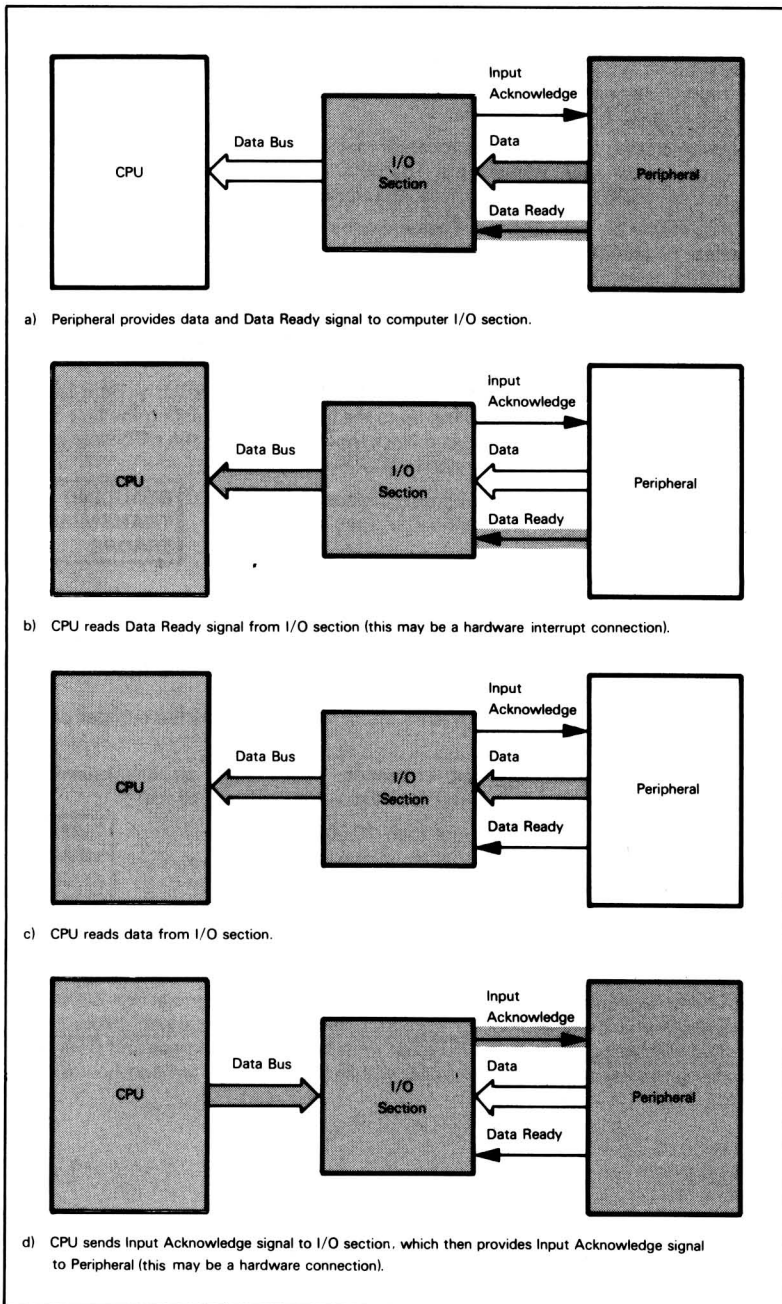


Figure 11-5. An Input Handshake

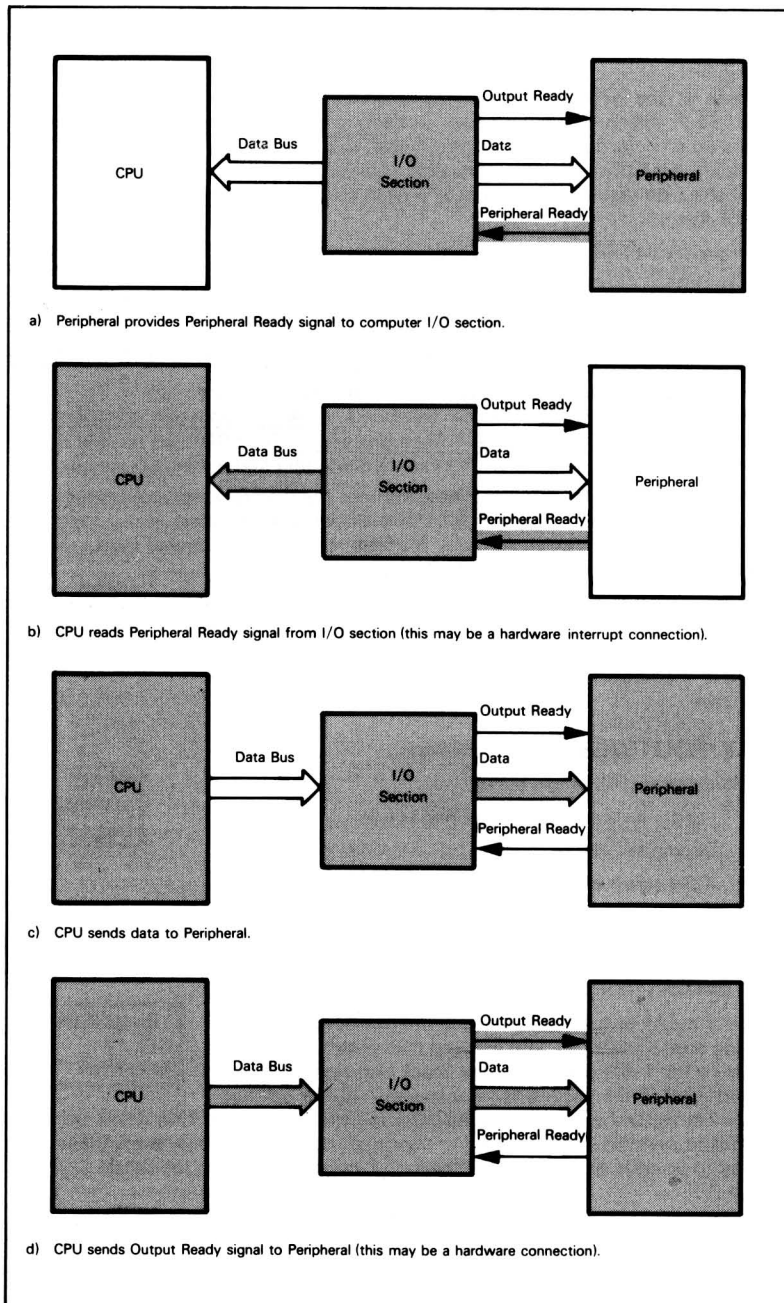


Figure 11-6. An Output Handshake

## TIMING INTERVALS (DELAYS)

One problem that we will face throughout the discussion of input/output is the generation of timing intervals with specific lengths. Such intervals are necessary to debounce mechanical switches (to smooth their irregular transitions), to provide pulses with specified lengths and frequencies for displays, and to provide timing for devices that transfer data regularly (for example, a teletypewriter that sends or receives one bit every 9.1 ms).

**USES OF  
TIMING  
INTERVALS**

We can produce timing intervals in several ways:

- 1) In hardware with one-shots or monostable multivibrators. These devices produce a single pulse of fixed duration in response to a pulse input.
- 2) In a combination of hardware and software with a flexible programmable timer such as the 6840 Programmable Timer for 6800-based microcomputers, as described in An Introduction to Microcomputers: Volume 2 — Some Real Microprocessors. The 6840 can provide timing intervals of various lengths with a variety of starting and ending conditions.<sup>3</sup>
- 3) In software with delay routines. These routines use the processor as a counter. This is possible since the processor has a stable clock reference, but it clearly under-utilizes the processor. However, delay routines require no additional hardware and often use processor time that would otherwise be wasted.

**METHODS  
FOR  
PRODUCING  
TIMING  
INTERVALS**

The choice among these three methods depends on your application. The software method is inexpensive but may overburden the processor. The programmable timers are relatively expensive, but are easy to interface and may be able to handle many complex timing tasks.

**CHOOSING  
A TIMING  
METHOD**

### DELAY ROUTINES

A simple delay routine works as follows:

- Step 1) Load a register with a specified value.
- Step 2) Decrement the register.
- Step 3) If the result of Step 2 is not zero, repeat Step 2.

**BASIC  
SOFTWARE  
DELAY**

This routine does nothing except use time. The amount of time used depends upon the execution time of the various instructions. The maximum length of the delay is limited by the size of the register; however, the entire routine can be placed inside a similar routine that uses another register, and so on.

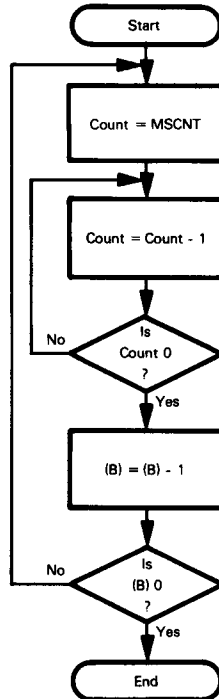
The first of the following examples uses the two Accumulators to provide delays as long as 255 ms. You may wish to save the contents of the Accumulators in the Stack and restore them afterward so that the routine is "transparent" to the calling program. The second example uses the Index register to provide a 1 ms delay. Here you may want to save the Index register in specified memory locations, since there is no easy way to transfer the contents of the Index register to or from the Stack.

**TRANSPARENT  
DELAY  
ROUTINE**

**EXAMPLES****Delay Program Using Accumulators**

**Purpose:** The program provides a delay of 1 ms times the contents of Accumulator B.

**Flowchart:**



The value of MSCNT depends on the speed of the CPU and the memory cycle.

**Source Program:**

|        |      |        |                               |
|--------|------|--------|-------------------------------|
| DELAY  | LDA  | #MSCNT | GET COUNT FOR 1 MS DELAY      |
| DELAY1 | DECA |        | COUNT = COUNT-1               |
|        | BNE  | DELAY1 | CONTINUE UNTIL COUNT=0        |
|        | DECB |        | NUMBER OF MS = NUMBER OF MS-1 |
|        | BNE  | DELAY  | CONTINUE UNTIL NUMBER OF MS=0 |
|        | RTS  |        |                               |

11-10 6800 Assembly Language Programming

**Object Program:**

| Memory Address<br>(Hex) | Memory Contents<br>(Hex) | Instruction<br>(Mnemonic) |
|-------------------------|--------------------------|---------------------------|
| 0030                    | 86 MSCNT                 | LDAA #MSCNT               |
| 0032                    | 4A DELAY                 | DECA                      |
| 0033                    | 26 FD DELAY1             | BNE DELAY1                |
| 0035                    | 5A                       | DECB                      |
| 0036                    | 26 F8                    | BNE DELAY                 |
| 0038                    | 39                       | RTS                       |

**Time Budget:**

| Instruction | Number of Times Executed |
|-------------|--------------------------|
| LDAA #MSCNT | (B)                      |
| DECA        | (B) X MSCNT              |
| BNE DLY1    | (B) X MSCNT              |
| DECB        | (B)                      |
| BNE DELAY   | (B)                      |
| RTS         | 1                        |

The total time used should be (B) x 1 ms. If the memory is operating at full speed, the instructions require the following numbers of clock cycles:

|              |   |
|--------------|---|
| LDAA #       | 2 |
| DECA or DECB | 2 |
| BNE          | 4 |

Ignoring the JSR or BSR and RTS instructions (which only occur once), the program takes

$$(B) \times (8 + 6 \times \text{MSCNT})$$

clock cycles. So, to make the delay 1 ms,

$$8 + 6 \times \text{MSCNT} = N_C$$

where  $N_C$  is the number of clock cycles per millisecond. At the standard 1 MHz 6800 clock rate,  $N_C = 1000$ , so

$$6 \times \text{MSCNT} = 992$$

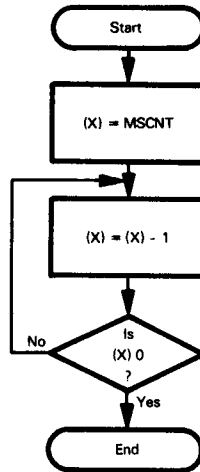
|                                                          |
|----------------------------------------------------------|
| MSCNT = 165 (hex A5) at a<br>6800 clock rate<br>of 1 MHz |
|----------------------------------------------------------|

|                                         |
|-----------------------------------------|
| <b>6800<br/>DELAY LOOP<br/>CONSTANT</b> |
|-----------------------------------------|

### Delay Program Using Index Register

**Purpose:** This program uses the Index register to provide a delay of 1 ms.

**Flowchart:**



The value of MSCNT depends on the execution time of the instructions in the program.

**Source Program:**

```

DELAY  LDX    #MSCNT  GET COUNT FOR 1 MS DELAY
DLY    DEX    COUNT = COUNT-1
      BNE    DLY    CONTINUE UNTIL COUNT = 0
      RTS
    
```

**Object Program:**

| Memory Address (Hex) | Memory Contents (Hex) | Instruction (Mnemonic) |
|----------------------|-----------------------|------------------------|
| 0030                 | CE MSCNT              | DELAY LDX #MSCNT       |
| 0033                 | 09                    | DLY DEX                |
| 0034                 | 26 FD                 | BNE DLY                |
| 0036                 | 39                    | RTS                    |

Remember that MSCNT is a 16-bit number.

## 11-12 6800 Assembly Language Programming

### Time Budget:

| Instruction | Number of Times Executed | Number of Clock Cycles |
|-------------|--------------------------|------------------------|
| LDX #       | 1                        | 3                      |
| DEX         | MSCNT                    | 4                      |
| BNE         | MSCNT                    | 4                      |

Ignoring the JSR or BSR and RTS instructions, the program takes

$$3 + 8 \times \text{MSCNT} = N_C$$

where  $N_C$  is the number of clock cycles per millisecond. At a 1 MHz clock rate,  $N_C = 1000$ , so

$$\begin{aligned} 8 \times \text{MSCNT} &= 997 \\ \text{MSCNT} &= 124 \text{ (hex 007C)} \end{aligned}$$

## THE 6820 PERIPHERAL INTERFACE ADAPTER (PIA)

The key element in most 6800 input/output sections is the 6820 Peripheral Interface Adapter, or PIA. This device combines latches, buffers, flip-flops, and other logic circuits required by handshaking and other simple interfacing techniques. The PIA contains many logic connections, certain sets of which can be selected according to the contents of two programmable registers, the Data Direction register and the Control register.

Figure 11-7 is the block diagram of a PIA. The device contains two nearly identical 8-bit ports — A, which is usually an input port, and B, which is usually an output port. Each port contains:

- A Data or Peripheral register that holds either input or output data. This register is latched when used for output but unlatched when used for input.
- A Data Direction register. The bits in this register determine whether the corresponding data register bits (and pins) are inputs (0) or outputs (1).
- A Control register that holds the status signals required for handshaking, and other bits that select logic connections within the PIA.
- Two control lines that are configured by the control registers. These lines can be used for the handshaking signals shown in Figures 11-5 and 11-6.

**PIA  
REGISTERS  
AND CONTROL  
LINES**

The meanings of the bits in the Data Direction and Control registers are related to the underlying hardware and are entirely arbitrary as far as the assembly language programmer is concerned. You must either memorize them or look them up in the appropriate tables (Tables 11-2 through 11-6).

Each PIA occupies four memory addresses. The RS (register select) lines choose one of the four registers, as described in Table 11-1. Since there are six registers (two peripheral, two data direction, and two control) in each PIA, one further bit is needed for addressing. Bit 2 of each control register determines whether the other address on that side refers to the Data Direction register (0) or to the Peripheral register (1). This sharing of an external address

**PIA  
ADDRESSES**

means that:

- 1) A program must change the bit in the Control register in order to use the register that is not currently being addressed.
- 2) The programmer must know the contents of the Control register in order to know which register is being addressed. RESET clears the Control register and thus addresses the Data Direction register.

Table 11-1 also shows a convenient way to address the various registers in the PIA. If, as is usually the case, the register select lines are tied to the corresponding least significant address lines (RS0 to A0 and RS1 to A1), the programmer can place the address of Peripheral Register A in the Index register and refer to all the other registers with appropriate offsets.

Table 11-1. Addressing 6820 Internal Registers

| Address Lines |     | Control Register Bit |       | Register Selected         | Offset Address                                      |
|---------------|-----|----------------------|-------|---------------------------|-----------------------------------------------------|
| RS1           | RS0 | CRA-2                | CRB-2 |                           | (Index Register) = Address of Peripheral Register A |
| 0             | 0   | 1                    | X     | Peripheral Register A     | 0                                                   |
| 0             | 0   | 0                    | X     | Data Direction Register A | 0                                                   |
| 0             | 1   | X                    | X     | Control Register A        | 1                                                   |
| 1             | 0   | X                    | 1     | Peripheral Register B     | 2                                                   |
| 1             | 0   | X                    | 0     | Data Direction Register B | 2                                                   |
| 1             | 1   | X                    | X     | Control Register B        | 3                                                   |

X = Either 0 or 1

Table 11-2. Organization of the PIA Control Registers  
(Courtesy of Motorola)

| CRA | 7     | 6     | 5           | 4 | 3 | 2           | 1           | 0 |
|-----|-------|-------|-------------|---|---|-------------|-------------|---|
|     | IRQA1 | IRQA2 | CA2 Control |   |   | DDRA Access | CA1 Control |   |
| CRB | 7     | 6     | 5           | 4 | 3 | 2           | 1           | 0 |
|     | IRQB1 | IRQB2 | CB2 Control |   |   | DDRB Access | CB1 Control |   |

11-14 6800 Assembly Language Programming

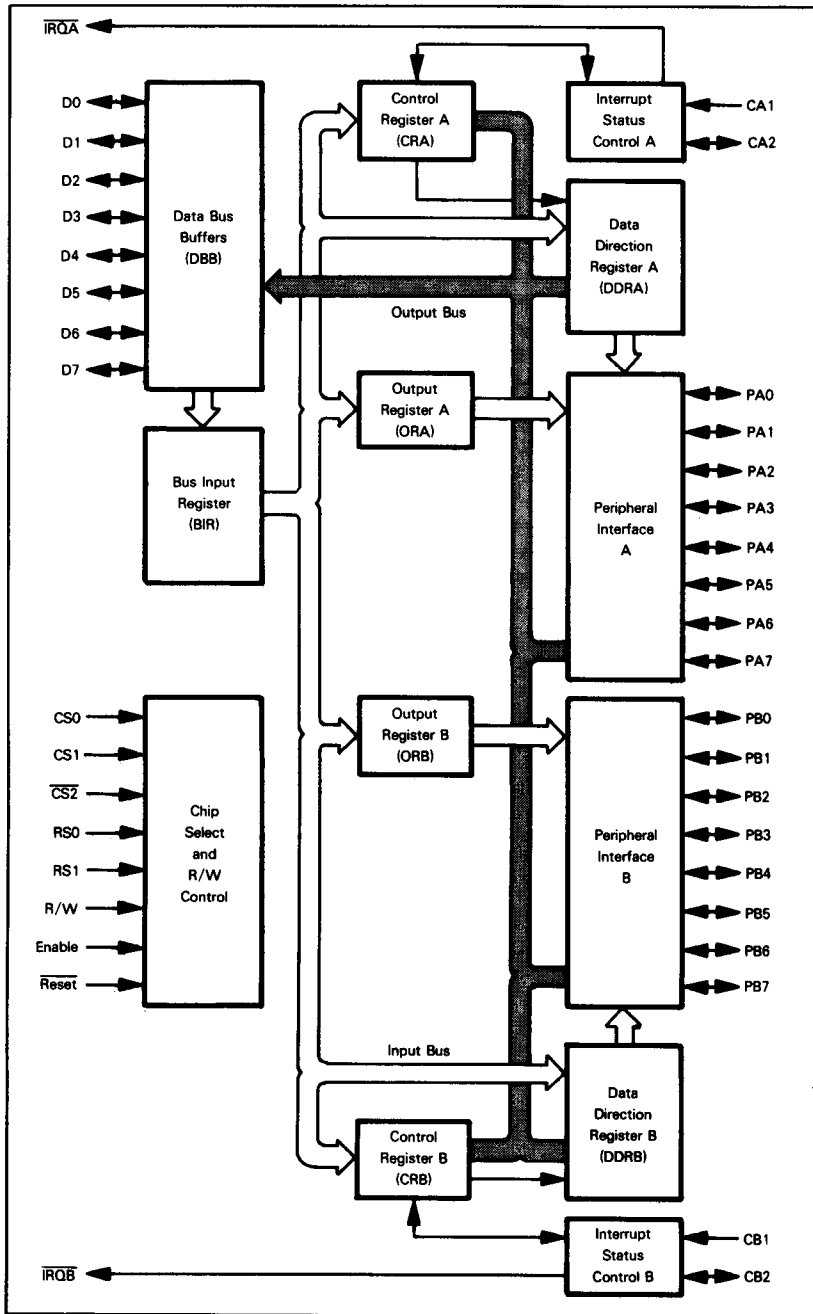


Figure 11-7. Block Diagram of the 6820 Peripheral Interface Adapter  
(Courtesy of Motorola)

## PIA CONTROL REGISTER

Table 11-2 shows the organization of the PIA Control registers. We may describe the general purpose of each bit as follows:

|                                              |
|----------------------------------------------|
| <b>PIA<br/>CONTROL<br/>REGISTER<br/>BITS</b> |
|----------------------------------------------|

- Bit 7: status bit set by transitions on control line 1 and cleared by reading the Peripheral (Data) register
- Bit 6: same as bit 7 except set by transitions on control line 2
- Bit 5: determines whether control line 2 is an input (0) or output (1)
- Bit 4: Control line 2 input: determines whether bit 6 is set by high-to-low transitions (0) or low-to-high transitions (1) on control line 2  
Control line 2 output: determines whether control line 2 is a pulse (0) or a level (1)
- Bit 3: Control line 2 input: if 1, enables interrupt output from bit 6  
Control line 2 output: determines ending condition for pulse (0 = handshake acknowledgment lasting until next transition on control line 1, 1 = brief strobe lasting one clock cycle) or value of level
- Bit 2: selects Data Direction register (0) or Data register (1)
- Bit 1: determines whether bit 7 is set by high-to-low transitions (0) or low-to-high transitions (1) on control line 1
- Bit 0: if 1, enables interrupt output from bit 7 of Control register

Tables 11-3 through 11-6 describe the bits in more detail. Since E is normally tied to the  $\Phi 2$  clock, you can interpret "E" pulse as "clock pulse".

Table 11-3. Control of Interrupt Inputs CA1 and CB1

| CRA-1<br>(CRB-1) | CRA-0<br>(CRB-0) | Interrupt Input<br>CA1 (CB1) | Interrupt Flag<br>CRA-7 (CRB-7) | MPU Interrupt<br>Request<br>IRQA (IRQB)                            |
|------------------|------------------|------------------------------|---------------------------------|--------------------------------------------------------------------|
| 0                | 0                | ↓ Active                     | Set high on ↓ of CA1<br>(CB1)   | Disabled — $\overline{IRQ}$ re-<br>mains high                      |
| 0                | 1                | ↓ Active                     | Set high on ↓ of CA1<br>(CB1)   | Goes low when the<br>interrupt flag bit CRA-7<br>(CRB-7) goes high |
| 1                | 0                | ↑ Active                     | Set high on ↑ of CA1<br>(CB1)   | Disabled — $\overline{IRQ}$ re-<br>mains high                      |
| 1                | 1                | ↑ Active                     | Set high on ↑ of CA1<br>(CB1)   | Goes low when the<br>interrupt flag bit CRA-7<br>(CRB-7) goes high |

Notes:

- ↑ indicates positive transition (low to high)
- ↓ indicates negative transition (high to low)
- The Interrupt flag bit CRA-7 is cleared by an MPU Read of the A Data Register, and CRB-7 is cleared by an MPU Read of the B Data Register.
- If CRA-0 (CRB-0) is low when an interrupt occurs (Interrupt disabled) and is later brought high, IRQA (IRQB) occurs after CRA-0 (CRB-0) is written to a "one".

Table 11-4. Control of CA2 and CB2 as Interrupt Inputs  
(CRA5 (CRB5) is low)

| CRA-5<br>(CRB-5) | CRA-4<br>(CRB-4) | CRA-3<br>(CRB-3) | Interrupt Input<br>CA2 (CB2) | Interrupt Flag<br>CRA-6 (CRB-6) | MPU Interrupt<br>Request<br>IRQA (IRQB)                            |
|------------------|------------------|------------------|------------------------------|---------------------------------|--------------------------------------------------------------------|
| 0                | 0                | 0                | ↓ Active                     | Set high on ↓ of CA2<br>(CB2)   | Disabled — $\overline{IRQ}$<br>remains high                        |
| 0                | 0                | 1                | ↓ Active                     | Set high on ↓ of CA2<br>(CB2)   | Goes low when the<br>interrupt flag bit CRA-6<br>(CRB-6) goes high |
| 0                | 1                | 0                | ↑ Active                     | Set high on ↑ of CA2<br>(CB2)   | Disabled — $\overline{IRQ}$<br>remains high                        |
| 0                | 1                | 1                | ↑ Active                     | Set high on ↑ of CA2<br>(CB2)   | Goes low when the<br>interrupt flag bit CRA-6<br>(CRB-6) goes high |

Notes:

- ↑ indicates positive transition (low to high)
- ↓ indicates negative transition (high to low)
- The Interrupt flag bit CRA-6 is cleared by an MPU Read of the A Data Register and CRB-6 is cleared by an MPU Read of the B Data Register.
- If CRA-3 (CRB-3) is low when an interrupt occurs (Interrupt disabled) and is later brought high, IRQA (IRQB) occurs after CRA-3 (CRB-3) is written to a "one".

### CONFIGURING THE PIA

The program must select the logic connections in the PIA before using it. This selection (or configuration) is usually part of the startup routine. The steps in the configuration are:

**STEPS IN  
CONFIGURING  
A PIA**

- 1) Address the Data Direction register by clearing bit 2 of the Control register. Since the Reset signal clears all the internal registers, this step is unnecessary in the overall startup routine.
- 2) Establish the directions of the I/O pins by loading the Data Direction register.
- 3) Select the required logic connections in the PIA by loading the Control register. Set bit 2 of the Control register so as to address the Data register.

Step 1 can be performed as follows:

```
CLR    PIACR    CLEAR PIA CONTROL REGISTER
```

or

```
LDAA  PIACR
ANDA  #%11111011  SELECT DATA DIRECTION REGISTER
STAA  PIACR
```

Table 11-5. Control of CB2 as an Output  
(CRB5 is high)

| CRB-5 | CRB-4 | CRB-3 | CB2                                                                                                                               |                                                                                                                       |
|-------|-------|-------|-----------------------------------------------------------------------------------------------------------------------------------|-----------------------------------------------------------------------------------------------------------------------|
|       |       |       | Cleared                                                                                                                           | Set                                                                                                                   |
| 1     | 0     | 0     | Low on the positive transition of the first E pulse following an MPU Write "B" Data Register operation.                           | High when the interrupt flag bit CRB-7 is set by an active transition of the CB1 signal.                              |
| 1     | 0     | 1     | Low on the positive transition of the first E pulse after an MPU Write "B" Data Register operation.                               | High on the positive edge of the first "E" pulse following an "E" pulse which occurred while the part was deselected. |
| 1     | 1     | 0     | Low when CRB-3 goes low as a result of an MPU Write in Control Register "B"                                                       | Always low as long as CRB-3 is low. Will go high on an MPU Write in Control Register "B" that changes CRB-3 to "one"  |
| 1     | 1     | 1     | Always high as long as CRB-3 is high. Will be cleared when an MPU Write Control Register "B" results in clearing CRB-3 to "zero". | High when CRB-3 goes high as a result of an MPU Write into Control Register "B"                                       |

Table 11-6. Control of CA2 as an Output  
(CRA5 is high)

| CRA-5 | CRA-4 | CRA-3 | CA2                                                                                                                          |                                                                                                                       |
|-------|-------|-------|------------------------------------------------------------------------------------------------------------------------------|-----------------------------------------------------------------------------------------------------------------------|
|       |       |       | Cleared                                                                                                                      | Set                                                                                                                   |
| 1     | 0     | 0     | Low on negative transition of E after an MPU Read "A" Data operation.                                                        | High when the interrupt flag bit CRA-7 is set by an active transition of the CA1 signal.                              |
| 1     | 0     | 1     | Low on negative transition of E after an MPU Read "A" Data operation.                                                        | High on the negative edge of the first "E" pulse which occurs during a deselect.                                      |
| 1     | 1     | 0     | Low when CRA-3 goes low as a result of an MPU Write to Control Register "A".                                                 | Always low as long as CRA-3 is low. Will go high on an MPU Write to Control Register "A" that changes CRA-3 to "one". |
| 1     | 1     | 1     | Always high as long as CRA-3 is high. Will be cleared on an MPU Write to Control Register "A" that clears CRA-3 to a "zero". | High when CRA-3 goes high as a result of an MPU Write to Control Register "A".                                        |

## 11-18 6800 Assembly Language Programming

Once the program has performed Step 1, Step 2 is simply a matter of clearing each input bit and setting each output bit in the Data Direction register. Some simple examples are:

|      |        |                                    |
|------|--------|------------------------------------|
| CLR  | PIADDR | ALL LINES INPUTS                   |
| LDAA | #\$FF  | ALL LINES OUTPUTS                  |
| STAA | PIADDR |                                    |
| LDAA | #\$F0  | MAKE LINES 4-7 OUTPUTS, 0-3 INPUTS |
| STAA | PIADDR |                                    |

Step 3 is clearly the difficult part of the configuration, since it involves selecting the logic connections in the PIA. Some points to remember are:

- 1) Bits 6 and 7 of the Control register are set by transitions on the control lines and are cleared by reading the Data register. You cannot change these bits by writing data into the Control register.
- 2) Bit 2 of the Control register must be set to address the Data register.
- 3) Bit 1 determines which pulse edge will set bit 7. Bit 1 is 0 for a high-to-low transition; bit 1 is 1 for a low-to-high transition.
- 4) Bit 0 is the interrupt enable for control line 1. Remember that it must be set to enable interrupts, unlike the 6800 interrupt bit, which must be cleared to enable interrupts. Chapter 12 describes interrupts in more detail.
- 5) Bit 5 must be set if control line 2 is to be an output. Bits 3 and 4 then determine how control line 2 works. Remember that sides A and B differ, since side A can only produce a read strobe while side B can only produce a write strobe. Once the strobe option has been selected, the strobes automatically follow each reading of Data Register A or writing of Data Register B. You must configure each side of each PIA in the startup program.

### EXAMPLES OF PIA CONFIGURATION

- 1) A simple input port with no control lines:

|      |            |                            |
|------|------------|----------------------------|
| CLR  | PIACR      | CLEAR OUT CONTROL REGISTER |
| •    |            |                            |
| CLR  | PIADDR     | ALL LINES INPUTS           |
| LDAA | ##00000100 |                            |
| STAA | PIACR      | SELECT DATA REGISTER       |

**PIA  
CONFIGURATION  
EXAMPLES**

Bit 2 of the Control register must be set in order to address the Data register. The same sequence can be used if a high-to-low edge on control line 1 indicates Data Ready or Peripheral Ready.

- 2) A simple output port with no control lines:

|      |            |                            |
|------|------------|----------------------------|
| CLR  | PIACR      | CLEAR OUT CONTROL REGISTER |
| LDAA | #\$FF      | ALL LINES OUTPUTS          |
| STAA | PIADDR     |                            |
| LDAA | ##00000100 |                            |
| STAA | PIACR      | SELECT DATA REGISTER       |

- 3) An input port with a low-to-high transition:

|      |            |                            |
|------|------------|----------------------------|
| CLR  | PIACR      | CLEAR OUT CONTROL REGISTER |
| CLR  | PIADDR     | ALL LINES INPUTS           |
| LDAA | ##00000110 | STROBE ACTIVE LOW-TO-HIGH  |
| STAA | PIACR      | SELECT DATA REGISTER       |

Bit 1 = 1 to recognize low-to-high transitions on control line 1.

- 4) An output port with a brief Data Ready strobe:

```
CLR    PIACR          CLEAR OUT CONTROL REGISTER
LDAA  #$FF           ALL LINES OUTPUTS
STAA  PIADDR
LDAA  #%00101100    CONTROL LINE 2 = BRIEF STROBE
STAA  PIACR          SELECT DATA REGISTER
```

Bit 5 = 1 to make control line 2 an output, bit 4 = 0 to make it a pulse, and bit 3 = 1 to make it a brief active-low strobe (one clock period in duration). The strobe will automatically follow each instruction that writes data into the B side of the PIA; for example, the instruction

```
STAA  PIADRB
```

will both transfer data and cause a strobe. However, the A side will produce a strobe only after a read operation. The sequence

```
STAA  PIADRA        WRITE DATA
LDAA  PIADRA        PRODUCE STROBE
```

will both transfer data and cause a strobe. The LDAA instruction is a "dummy read"; it has no effect other than to cause the strobe (and waste some time). Other instructions besides LDAA could also be used (name some of them).

- 5) An input port with a handshake Input Acknowledge strobe:

```
CLR    PIACR          CLEAR OUT CONTROL REGISTER
CLR    PIADDR        ALL LINES INPUTS
LDAA  #%00100100    CONTROL LINE 2 = HANDSHAKE ACKNOWLEDGE
STAA  PIACR          SELECT DATA REGISTER
```

Bit 5 = 1 to make control line 2 an output, bit 4 = 0 to make it a pulse, and bit 3 = 0 to make it an active-low acknowledgment that remains low until the next active transition on control line 1. The acknowledgment will automatically follow a read operation on the A side of the PIA; for example, the instruction

```
LDAA  PIADRA
```

will both read data and cause the acknowledgment. However, the B side will produce an acknowledgment only after a write operation. The sequence

```
LDAA  PIADRB        READ DATA
STAA  PIADRB        PRODUCE ACKNOWLEDGMENT
```

will both read data and produce an acknowledgment. The STAA instruction is a "dummy write"; it has no effect other than to cause the acknowledgment (and waste some time). Note that the order of the sequence is reversed from the previous example.

## 11-20 6800 Assembly Language Programming

6) An output port with a latched zero control bit (latched serial output or level output):

```
CLR    PIACR          CLEAR OUT CONTROL REGISTER
LDAA   #$FF          ALL LINE OUTPUTS
STAA   PIADDR
LDAA   #%00110100    CONTROL LINE 2 = LATCHED ZERO
STAA   PIACR
```

Bit 5 = 1 to make control line 2 an output, bit 4 = 1 to make it a level or latched bit, and bit 3 = 0 to make the level zero. This bit is not affected by operations on the Data register; its value can be changed by changing the value of bit 3; i.e.,

```
LDAA   PIACR
ORAA   #%00001000    MAKE LEVEL ONE
STAA   PIACR
LDAA   PIACR
ANDA   #%11110111    MAKE LEVEL ZERO
STAA   PIACR
```

You can use this configuration to produce active-high strobes or to provide pulses with software-controlled lengths.

### USING THE PIA TO TRANSFER DATA

Once the PIA has been configured, you may use its data registers like any other memory locations. The simplest instructions for data transfer are:



Load Accumulator transfers 8 bits of data from the specified input pins to an Accumulator.

Store Accumulator transfers 8 bits of data from an Accumulator to the specified output pins.

You must be careful in situations where input and output ports do not behave like memory locations. For example, it often makes no sense to write data into input ports or read data from output ports. Be particularly careful if the input port is not latched or if the output port is not buffered.

Other instructions that transfer data to or from memory can also serve as I/O instructions. Typical examples are:

Clear places zeros on a set of output pins.

Test sets the flags according to the values of a set of input pins.

Compare sets the flags as if the values of a set of input pins had been subtracted from the contents of an Accumulator.

Here also you must be aware of the physical limitations of the I/O ports. Be particularly careful of instructions like Test, Shift, Complement, Increment, and Decrement, which involve both read and write cycles.

We cannot overemphasize the importance of careful documentation. Often, complex I/O transfers can be concealed in instructions with no obvious functions. You must describe the purposes of such instructions carefully. For example, one could easily be tempted to remove the dummy read and write operations mentioned earlier since they do not appear to accomplish anything.

Bit 7 of the PIA Control register often serves as a status bit, such as Data Ready or Peripheral Ready. You can check its value with either of the following sequences:



```
LDAA  PIACR  IS READY FLAG 1?
BMI   DEVRDY YES, DEVICE READY
TST   PIACR  IS READY FLAG 1?
BMI   DEVRDY YES, DEVICE READY
```

Note that you should not use the shift instructions, since they will change the contents of the Control register (why?). The following program will wait for the ready flag to go high:

```
WAITR LDAA  PIACR  IS READY FLAG 1?
      BPL   WAITR  NO, WAIT
```

How would you change these programs so that they examine bit 6 instead of bit 7?

The only way to clear bit 7 (or bit 6) is to read the Data register. A dummy read will be necessary if a read operation is not normally part of the reaction to the bit being set. If the port is used for output, the sequence

```
STAA  PIADR  SEND DATA
LDAA  PIADR  CLEAR READY FLAG
```

will do the job. Note that here the dummy read is necessary on either side of the PIA. The Test instruction can also clear the strobe without changing anything except the condition codes. Be particularly careful in cases where the CPU is not ready for input data or has no output data to send.

## EXAMPLES

### A Pushbutton Switch

**Purpose:** To interface a single pushbutton switch to a 6800 microprocessor. The pushbutton is a mechanical switch that provides a single contact closure (a logic zero) while pressed.

Figure 11-8 shows the circuitry required to interface the pushbutton. It uses one bit of a 6820 PIA, which acts as a buffer; no latch is needed since the pushbutton remains closed for many CPU clock cycles. Pressing the button grounds the PIA input bit. The pullup resistor ensures that the input bit is one if the button is not being pressed.

#### Programming Examples:

We will perform two tasks with this circuit. They are:

- 1) Set a memory location based on the state of the button.
- 2) Count the number of times that the button is pressed.

**Task 1:** Set memory location 0040 to one if the button is not being pressed, and to zero if it is being pressed.

#### Sample Cases:

- 1) Button open (not pressed)  
Result: (0040) = 01
- 2) Button closed (pressed)  
Result: (0040) = 00

11-22 6800 Assembly Language Programming

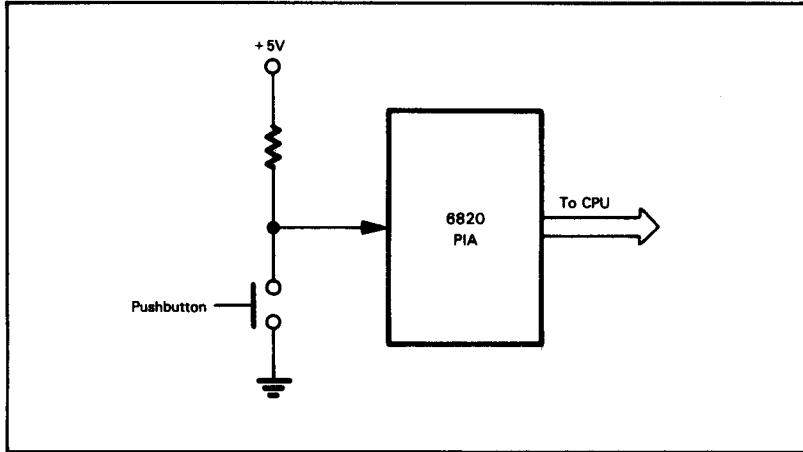
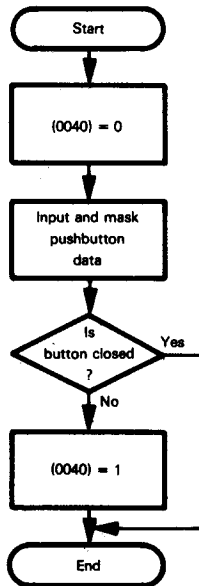


Figure 11-8. A Pushbutton Circuit

Flowchart:



**Source Program:**

```

CLR   PIACRA      CLEAR OUT CONTROL REGISTER
CLR   PIADDRA     ALL LINES INPUTS
LDAA  #%00000100 SELECT DATA REGISTER
STAA  PIACRA
CLR   $40         MARKER = 0
LDAA  PIADRA     READ BUTTON POSITION
ANDA  #MASK       IS BUTTON CLOSED (0)?
BEQ   DONE        YES, DONE
INC   $40         NO, MARKER = 1
DONE  SWI

```

**Object Program:**

| Memory Address<br>(Hex) | Memory Contents<br>(Hex) | Instruction<br>(Mnemonic) |
|-------------------------|--------------------------|---------------------------|
| 0000                    | 7F PIACRA                | CLR PIACRA                |
| 0003                    | 7F PIADDRA               | CLR PIADDRA               |
| 0006                    | 86 04                    | LDAA #%00000100           |
| 0008                    | B7 PIACRA                | STAA PIACRA               |
| 000B                    | 7F 0040                  | CLR \$40                  |
| 000E                    | B6 PIADRA                | LDAA PIADRA               |
| 0011                    | 84 MASK                  | ANDA #MASK                |
| 0013                    | 27 03                    | BEQ DONE                  |
| 0015                    | 7C 0040                  | INC \$40                  |
| 0018                    | 3F                       | DONE SWI                  |

The addresses PIACRA, PIADDRA and PIADRA depend on how the PIA is connected in your microcomputer. The PIA control lines are not used in this example.

MASK depends on the bit to which the pushbutton is connected; it has a one in the button position and zeros elsewhere.

| Button Position<br>(Bit Number) | Mask     |     |
|---------------------------------|----------|-----|
|                                 | Binary   | Hex |
| 0                               | 00000001 | 01  |
| 1                               | 00000010 | 02  |
| 2                               | 00000100 | 04  |
| 3                               | 00001000 | 08  |
| 4                               | 00010000 | 10  |
| 5                               | 00100000 | 20  |
| 6                               | 01000000 | 40  |
| 7                               | 10000000 | 80  |

If the button is attached to data bit 7, no masking instruction is necessary to determine the button's state:

```

LDAA  PIADRA     READ BUTTON POSITION
BPL   DONE       DONE IF BUTTON CLOSED

```

The TST instruction could also be used.

## 11-24 6800 Assembly Language Programming

If the button is attached to bits 0 or 6, a shift instruction can determine the button's state, as follows:

|              |        |                       |
|--------------|--------|-----------------------|
| <u>BIT 6</u> |        |                       |
| ASL          | PIADRA | IS BUTTON CLOSED (0)? |
| BPL          | DONE   | YES, DONE             |
| <br>         |        |                       |
| <u>BIT 0</u> |        |                       |
| LSR          | PIADRA | IS BUTTON CLOSED (0)? |
| BCC          | DONE   | YES, DONE             |

ROL (bit 6) or ROR (bit 0) could also be used. Do the contents of the PIA Data register actually change? Explain your answer.

**Task 2:** Count number of button closures in memory location 0040.

### Sample Case:

Pressing the button ten times after the start of the program should give

(0040) = 0A

Note: In order to count the number of times that the button has been pressed, we must be sure that each closure causes a single transition. However, each closure of a mechanical pushbutton does not produce a single transition, because the mechanical contacts bounce back and forth before settling into their final positions. We can use a one-shot to eliminate the bounce or we can handle it in software.

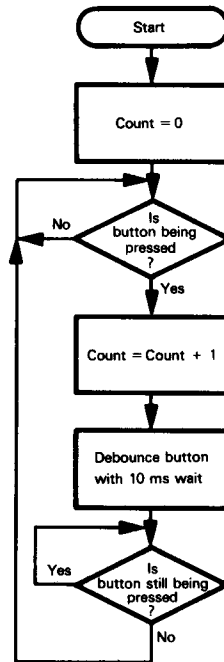
**SWITCH  
BOUNCE**

The program can debounce the pushbutton by waiting after it finds a closure. The required delay is called the debouncing time and is part of the specifications of the pushbutton. It is typically a few milliseconds long. The program should not examine the pushbutton during this period because it might mistake the bounces for new closures. The program may either enter a delay routine like the one described previously or may simply perform other tasks for the specified amount of time.

**DEBOUNCING  
IN SOFTWARE**

Even after debouncing, the program must still wait for the present closure to end before looking for a new closure. This procedure avoids double counting. The following program uses a software delay of 10 ms to debounce the pushbutton. You may want to try varying the delay or eliminating it entirely in order to see what happens. To run this program, you must also enter the delay subroutine into memory starting at location 0030.

## Flowchart:



## Source Program:

|        |             |                                    |
|--------|-------------|------------------------------------|
| CLR    | PIACRA      | CLEAR OUT CONTROL REGISTER         |
| CLR    | PIADDRA     | ALL LINES INPUTS                   |
| LDAA   | #%00000100  | SELECT DATA REGISTER               |
| STAA   | PIACRA      |                                    |
| CLR    | \$40        | COUNT = 0                          |
| CHKCLO | LDAA PIADRA | IS BUTTON BEING PRESSED (0)?       |
|        | ANDAA #MASK | NO, WAIT UNTIL IT IS               |
|        | BNE CHKCLO  | YES, COUNT = COUNT + 1             |
|        | INC \$40    |                                    |
|        | LDAB #10    |                                    |
|        | JSR DELAY   | WAIT 10 MS TO DEBOUNCE             |
| CHKOPN | LDAA PIADRA | IS BUTTON STILL BEING PRESSED (0)? |
|        | ANDAA #MASK | YES, WAIT FOR RELEASE              |
|        | BEQ CHKOPN  | NO, LOOK FOR NEXT CLOSURE          |
|        | BRA CHKCLO  |                                    |

**Object Program:**

| Memory Address<br>(Hex) | Memory Contents<br>(Hex) | Instruction<br>(Mnemonic) |
|-------------------------|--------------------------|---------------------------|
| 0000                    | 7F PIACRA                | CLR PIACRA                |
| 0003                    | 7F PIADDRA               | CLR PIADDRA               |
| 0006                    | 86 04                    | LDAA #%00000100           |
| 0008                    | B7 PIACRA                | STAA PIACRA               |
| 000B                    | 7F 0040                  | CLR \$40                  |
| 000E                    | B6 PIADRA   CHKCLO       | LDAA PIADRA               |
| 0011                    | 84 MASK                  | ANDA #MASK                |
| 0013                    | 26 F9                    | BNE CHKCLO                |
| 0015                    | 7C 0040                  | INC \$40                  |
| 0018                    | C6 0A                    | LDAB #10                  |
| 001A                    | BD 0030                  | JSR DELAY                 |
| 001D                    | B6 PIADRA   CHKOPN       | LDAA PIADRA               |
| 0020                    | 84 MASK                  | ANDA #MASK                |
| 0022                    | 27 F9                    | BEQ CHKOPN                |
| 0024                    | 20 E8                    | BRA CHKCLO                |

The three instructions beginning with the label CHKOPN are used to wait until the button is released. If the PIA is addressed as shown in the last column of Table 11-1, the Index register can be loaded with the address of Peripheral Register A, and the instructions that reference the PIA can be modified as follows:

| <u>Original</u> | <u>Replacement</u> |
|-----------------|--------------------|
|                 | (X) = PIADRA       |
| CLR PIACRA      | CLR 1,X            |
| CLR PIADDRA     | CLR X              |
| STAA PIACRA     | STAA 1,X           |
| LDAA PIADRA     | LDAA X             |

**A Toggle Switch**

**Purpose:** To interface a single-pole, double-throw toggle switch to a 6800 microprocessor. The toggle is a mechanical device that is either of two positions.

Figure 11-9 shows the circuitry required to interface the switch. Like the pushbutton, the switch uses one bit of a 6820 PIA that serves as an addressable buffer. Unlike the button, the switch may be left in either position. Typical program tasks are to determine the switch position and to see if the position has changed. Either a one-shot with a pulse length of a few milliseconds or a pair of cross-coupled NAND gates (see Figure 11-10) can debounce a mechanical switch.

**DEBOUNCING  
WITH  
CROSS-COUPLED  
NAND GATES**

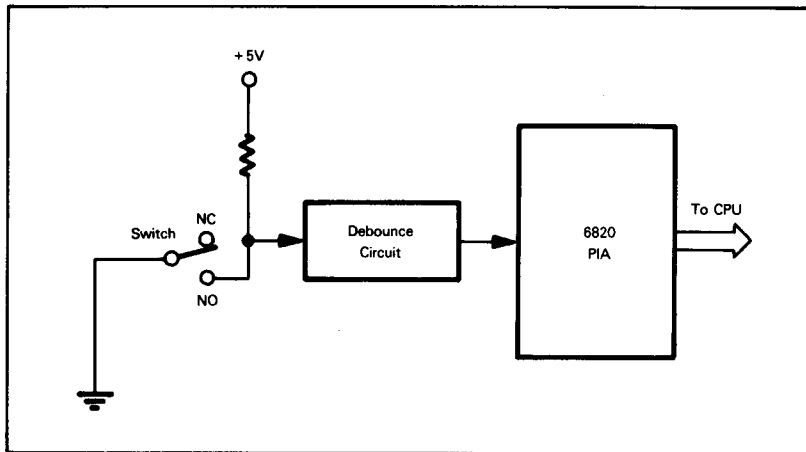


Figure 11-9. A Toggle Switch Circuit

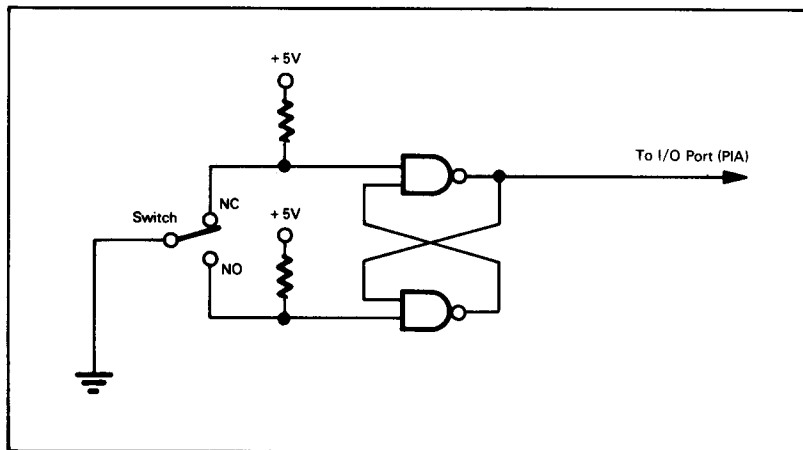


Figure 11-10. A Debounce Circuit Based on Cross-Coupled NAND Gates

The circuits will produce a single step or pulse in response to a change in switch position even if the switch bounces before settling into its new position.

**Programming Examples:**

We will perform two tasks involving this circuit. They are:

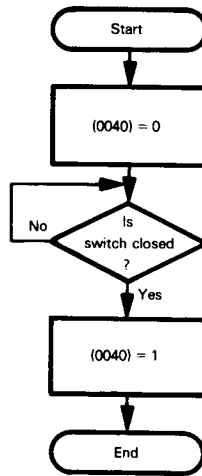
- 1) Set a memory location to one when the switch is closed.
- 2) Set a memory location to one when the state of the switch changes.

**11-28** 6800 Assembly Language Programming

**Task 1:** Wait for switch to close.

Memory location 0040 is zero until the switch is closed and then is set to one; that is, the processor clears memory location 0040, waits for the switch to be closed, and then sets memory location 0040 to one. The switch could be marked Run/Halt, since the processor will not proceed until the switch is closed.

**Flowchart:**



**Source Program:**

|        |      |             |                            |
|--------|------|-------------|----------------------------|
|        | CLR  | PIACRA      | CLEAR OUT CONTROL REGISTER |
|        | CLR  | PIADDRA     | ALL LINES INPUTS           |
|        | LDAA | ##%00000100 | SELECT DATA REGISTER       |
|        | STAA | PIACRA      |                            |
|        | CLR  | \$40        | MARKER = 0                 |
| WAITCL | LDAA | PIADRA      | READ SWITCH POSITION       |
|        | ANDA | #MASK       | IS SWITCH CLOSED (0)?      |
|        | BNE  | WAITCL      | NO, WAIT                   |
|        | INC  | \$40        | YES, MARKER = 1            |
|        | SWI  |             |                            |

**Object Program:**

| Memory Address (Hex) | Memory Contents (Hex) | Instruction (Mnemonic) |
|----------------------|-----------------------|------------------------|
| 0000                 | 7F PIACRA             | CLR PIACRA             |
| 0003                 | 7F PIADDRA            | CLR PIADDRA            |
| 0006                 | 86 04                 | LDAA ##%00000100       |
| 0008                 | B7 PIACRA             | STAA PIACRA            |
| 000B                 | 7F 0040               | CLR \$40               |
| 000E                 | B6 PIADRA             | LDAA PIADRA            |
| 0011                 | 84 MASK               | ANDA #MASK             |
| 0013                 | 26 F9                 | BNE WAITCL             |
| 0015                 | 7C 0040               | INC \$40               |
| 0018                 | 3F                    | SWI                    |

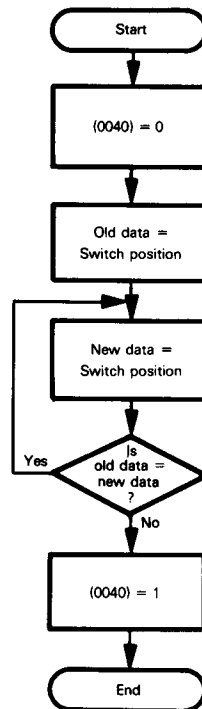
**Task 2:** Wait for switch to change.

Memory location 0040 remains zero until the switch position changes; that is, the processor waits until the switch changes, then sets memory location 0040 to one.

**Source Program:**

|        |      |             |                                     |
|--------|------|-------------|-------------------------------------|
|        | CLR  | PIACRA      | CLEAR OUT CONTROL REGISTER          |
|        | CLR  | PIADDR      | ALL LINES INPUTS                    |
|        | LDAA | ##%00000100 | SELECT DATA REGISTER                |
|        | STAA | PIACRA      |                                     |
|        | CLR  | \$40        | MARKER = 0                          |
|        | LDAA | PIADRA      | GET OLD SWITCH POSITION             |
|        | ANDA | #MASK       |                                     |
| SEARCH | LDAB | PIADRA      | GET NEW SWITCH POSITION             |
|        | ANDB | #MASK       |                                     |
|        | CBA  |             | ARE NEW AND OLD POSITIONS THE SAME? |
|        | BEQ  | SEARCH      | YES, WAIT                           |
|        | INC  | \$40        | NO, MARKER = 1                      |
|        | SWI  |             |                                     |

**Flowchart:**



**Object Program:**

| Memory Address<br>(Hex) | Memory Contents<br>(Hex) | Instruction<br>(Mnemonic) |             |
|-------------------------|--------------------------|---------------------------|-------------|
| 0000                    | 7F PIACRA                | CLR                       | PIACRA      |
| 0003                    | 7F PIADDRA               | CLR                       | PIADDRA     |
| 0006                    | 86 04                    | LDAA                      | ##%00000100 |
| 0008                    | B7 PIACRA                | STAA                      | PIACRA      |
| 000B                    | 7F 0040                  | CLR                       | \$40        |
| 000E                    | B6 PIADRA                | LDAA                      | PIADRA      |
| 0011                    | 84 MASK                  | ANDA                      | #MASK       |
| 0013                    | F6 PIADRA SEARCH         | LDAB                      | PIADRA      |
| 0016                    | C4 MASK                  | ANDB                      | #MASK       |
| 0018                    | 11                       | CBA                       |             |
| 0019                    | 27 F8                    | BEQ                       | SEARCH      |
| 001B                    | 7C 0040                  | INC                       | \$40        |
| 001E                    | 3F                       | SWI                       |             |

A Subtract or Exclusive-OR could replace the Compare in the program. Either of these instructions would, however, change the contents of the Accumulator. The Exclusive-OR would be useful if several switches were attached to the same PIA, since it would produce a one bit for each switch that changed state. How would you rewrite this program so as to debounce the switch in software?

**A Multiple-position (Rotary, Selector, or Thumbwheel) Switch**

**Purpose:** To interface a multiple-position switch to a 6800 microprocessor. The lead corresponding to the switch position is grounded, while the other leads are high (logic one).

Figure 11-11 shows the circuitry required to interface an 8-position switch. The switch uses all eight data bits of one side of a 6820 PIA. Typical tasks are to determine the position of the switch and to check whether or not that position has changed. Two special situations must be handled:

- 1) The switch is temporarily between positions so that no leads are grounded.
- 2) The switch has not yet reached its final position.

The first of these situations can be handled by waiting until the input is not all ones; i.e., until a switch lead is grounded. We can handle the second situation by examining the switch again after a delay (such as 1 or 2 seconds) and only accepting the input when it remains the same. This delay will not usually affect the responsiveness of the system to the switch. We can also use another switch (a Load switch) to tell the processor when the selector switch should be read.

**Programming Examples:**

We will perform two tasks involving the circuit of Figure 11-11. These are:

- a) Monitor the switch until it is in a definite position, then determine the position and store its binary value in a memory location.
- b) Wait for the position of the switch to change, then store the new position in a memory location.

If the switch is in a position, the lead from that position is grounded through the common line. Pullup resistors are usually necessary on all the input lines to avoid problems caused by noise.

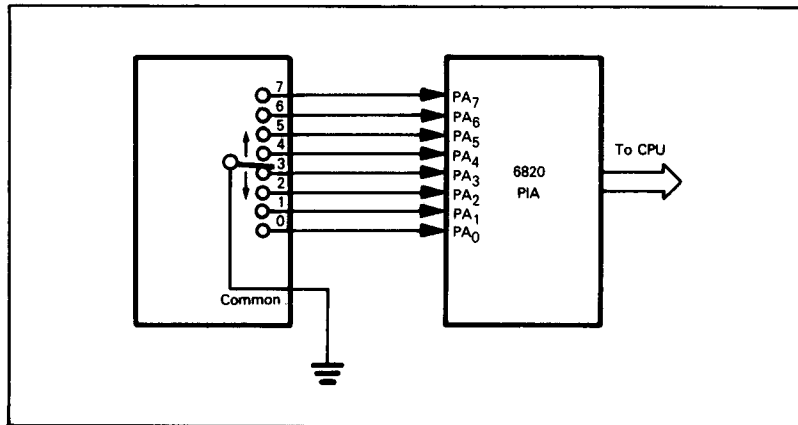


Figure 11-11. A Multiple-Position Switch

## ASSEMBLY LANGUAGE PROGRAMS

### EXAMPLES

#### Determine Switch Position

**Purpose:** The program waits for the switch to be in a specific position and then places the number of that position in memory location 0040.

**Note:** The following table relates the data input to the switch position:

Table 11-7. Data Input vs. Switch Position

| Switch Position | Data Input |     |
|-----------------|------------|-----|
|                 | Binary     | Hex |
| 0               | 11111110   | FE  |
| 1               | 11111101   | FD  |
| 2               | 11111011   | FB  |
| 3               | 11110111   | F7  |
| 4               | 11101111   | EF  |
| 5               | 11011111   | DF  |
| 6               | 10111111   | BF  |
| 7               | 01111111   | 7F  |

This scheme is inefficient, since it requires eight bits to distinguish among eight different positions.

A TTL or MOS encoder could reduce the number of bits needed. Figure 11-12 shows a circuit using the 74LS148 TTL 8-to-3 encoder. We attach the switch outputs in inverse order, since the 74LS148 device has active-low inputs and outputs. The output of the encoder circuit is a 3-bit representation of the switch position. Many switches have encoders included so that they automatically produce a coded output, usually consisting of a BCD digit (in negative logic).

**USING  
A TTL  
ENCODER**

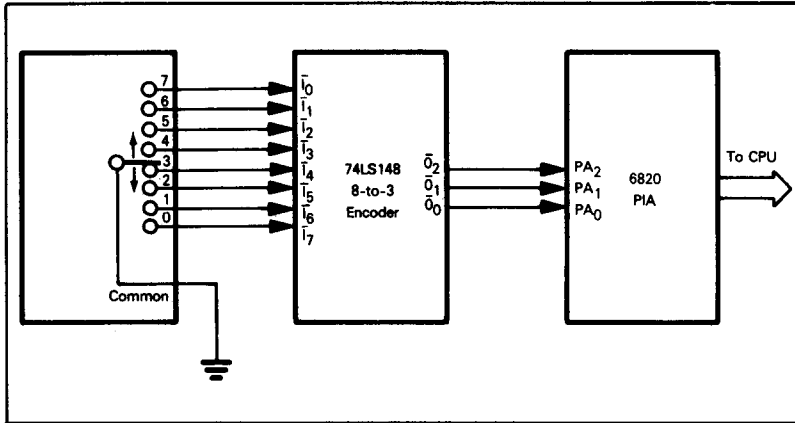
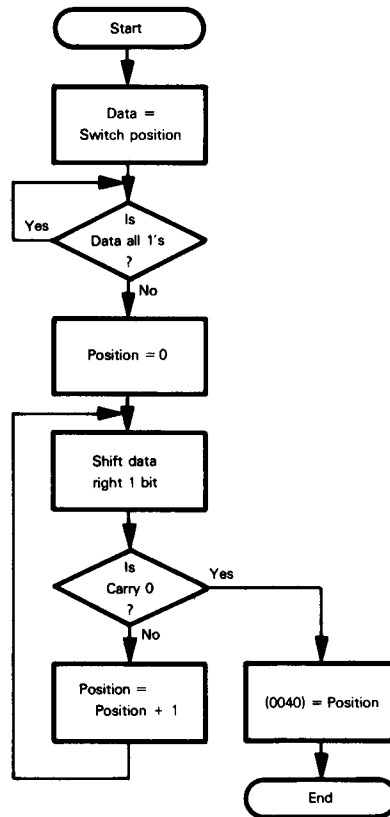


Figure 11-12. A Multiple-Position Switch with an Encoder

The encoder produces active-low outputs, so, for example, switch position 5, which is attached to input 2, produces an output of 2 in negative logic (or 5 in positive logic). You may want to verify the double negative for yourself.

## Flowchart:



## Source Program:

|        |      |             |                                |
|--------|------|-------------|--------------------------------|
|        | CLR  | PIACRA      | CLEAR OUT CONTROL REGISTER     |
|        | CLR  | PIADDRA     | ALL LINES INPUTS               |
|        | LDAA | #\$00000100 | SELECT DATA REGISTER           |
|        | STAA | PIACRA      |                                |
| CHKSW  | LDAA | PIADRA      |                                |
|        | CMPA | #\$FF       | IS SWITCH IN A POSITION?       |
|        | BEQ  | CHKSW       | NO. WAIT FOR POSITION          |
|        | CLRB |             | POSITION = 0                   |
| CHKPOS | RORA |             | IS NEXT BIT GROUNDED POSITION? |
|        | BCC  | DONE        | YES. SWITCH POSITION FOUND     |
|        | INCB |             | NO. POSITION = POSITION + 1    |
|        | BRA  | CHKPOS      |                                |
| DONE   | STAB | \$40        | STORE SWITCH POSITION          |
|        | SWI  |             |                                |

## 11-34 6800 Assembly Language Programming

### Object Program:

| Memory Address<br>(Hex) | Memory Contents<br>(Hex) | Instruction<br>(Mnemonic) |
|-------------------------|--------------------------|---------------------------|
| 0000                    | 7F PIACRA                | CLR PIACRA                |
| 0003                    | 7F PIADDRA               | CLR PIADDRA               |
| 0006                    | 86 04                    | LDAA #%00000100           |
| 0008                    | B7 PIACRA                | STAA PIACRA               |
| 000B                    | B6 PIADRA                | LDAA PIADRA               |
| 000E                    | 81 FF                    | CMPA #\$FF                |
| 0010                    | 27 F9                    | BEQ CHKSW                 |
| 0012                    | 5F                       | CLRB                      |
| 0013                    | 46                       | CHKPOS RORA               |
| 0014                    | 24 03                    | BCC DONE                  |
| 0016                    | 5C                       | INCB                      |
| 0017                    | 20 FA                    | BRA CHKPOS                |
| 0019                    | D7 40                    | DONE STAB \$40            |
| 001B                    | 3F                       | SWI                       |

Suppose that a faulty switch or defective PIA results in the input always being FF16. How could you change the program so that it would detect this error?

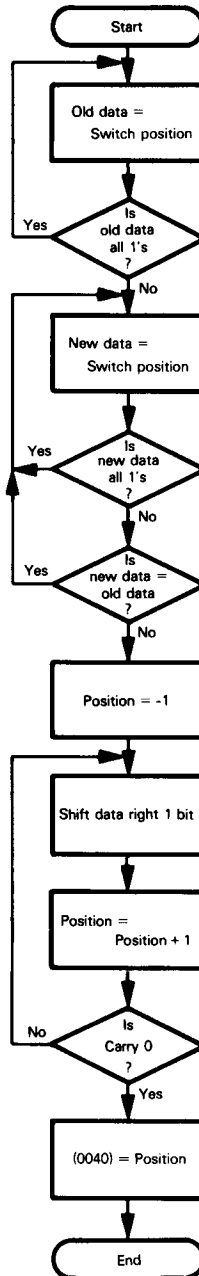
There is an unconditional jump, BRA CHKPOS, in the source program. Can you restructure the initial conditions so as to eliminate this instruction?

This example assumes that the switch is debounced in hardware. How would you change the program to debounce the switch in software?

### Wait for Switch Position to Change

**Purpose:** The program waits for the switch position to change and places the new position (decoded) in memory location 0040. The program waits until the switch reaches its new position.

Flowchart:



**11-36** 6800 Assembly Language Programming

**Source Program:**

```

        CLR   PIACRA      CLEAR OUT CONTROL REGISTER
        CLR   PIADDRA     ALL LINES INPUTS
        LDAA  #%00000100  SELECT DATA REGISTER
        STAA  PIACRA
CHK1ST  LDAA  PIADRA      GET SWITCH DATA
        CMPA  #$FF        IS SWITCH IN A POSITION?
        BEQ  CHK1ST       NO. WAIT FOR POSITION
CHK2ND  LDAB  PIADRA      GET NEW SWITCH DATA
        CMPB  #$FF        IS SWITCH IN A POSITION?
        BEQ  CHK2ND       NO. WAIT FOR POSITION
        CBA                    IS POSITION SAME AS BEFORE?
        BEQ  CHK2ND       YES. WAIT FOR IT TO CHANGE
        LDAA  #$FF        POSITION = -1
CHKPOS  RORB                    IS NEXT BIT GROUNDED POSITION?
        INCA                    POSITION = POSITION + 1
        BCS  CHKPOS       NO. KEEP LOOKING FOR GROUNDED
        .                       POSITION
        STAA  $40         STORE SWITCH POSITION
        SWI
    
```

**Object Program:**

| Memory Address<br>(Hex) | Memory Contents<br>(Hex) | Instruction<br>(Mnemonic) |
|-------------------------|--------------------------|---------------------------|
| 0000                    | 7F PIACRA                | CLR PIACRA                |
| 0003                    | 7F PIADDRA               | CLR PIADDRA               |
| 0006                    | 86 04                    | LDAA #%00000100           |
| 0008                    | B7 PIACRA                | STAA PIACRA               |
| 000B                    | B6 PIADRA                | LDAA PIADRA               |
| 000E                    | 81 FF                    | CMPA #\$FF                |
| 0010                    | 27 F9                    | BEQ CHK1ST                |
| 0012                    | F6 PIADRA                | LDAB PIADRA               |
| 0015                    | C1 FF                    | CMPB #\$FF                |
| 0017                    | 27 F9                    | BEQ CHK2ND                |
| 0019                    | 11                       | CBA                       |
| 001A                    | 27 F6                    | BEQ CHK2ND                |
| 001C                    | 86 FF                    | LDAA #\$FF                |
| 001E                    | 56                       | CHKPOS RORB               |
| 001F                    | 4C                       | INCA                      |
| 0020                    | 25 FC                    | BCS CHKPOS                |
| 0022                    | 97 40                    | STAA \$40                 |
| 0024                    | 3F                       | SWI                       |

An alternative method for determining if the switch is in a position is:

```

CHKSW  INC    PIADRA
        BEQ  CHKSW
    
```

Why does this work? What happens to the input data?

## A Single LED

**Purpose:** To interface a single light-emitting diode to a 6800 microprocessor. The LED can be attached so that either a zero or a one turns it on.

Figure 11-13 shows the circuitry required to interface an LED. The LED lights when its anode is positive with respect to its cathode (Figure 11-13a). Therefore, you can either light the LED by grounding the cathode and having the computer supply a one to the anode (Figure 11-13b) or by connecting the anode to +5 volts and having the computer supply a zero to the cathode (Figure 11-13c). Controlling the cathode is the most common approach. The LED is brightest when it operates from pulsed currents of about 10 to 50 mA applied a few hundred times per second. LEDs have a very short turn-on time (in the microsecond range), so they are well suited to multiplexing (operating several from a single port). LED circuits usually need peripheral or transistor drivers and current-limiting resistors. MOS devices normally cannot drive LEDs directly and make them bright enough for easy viewing.

LED CONTROL

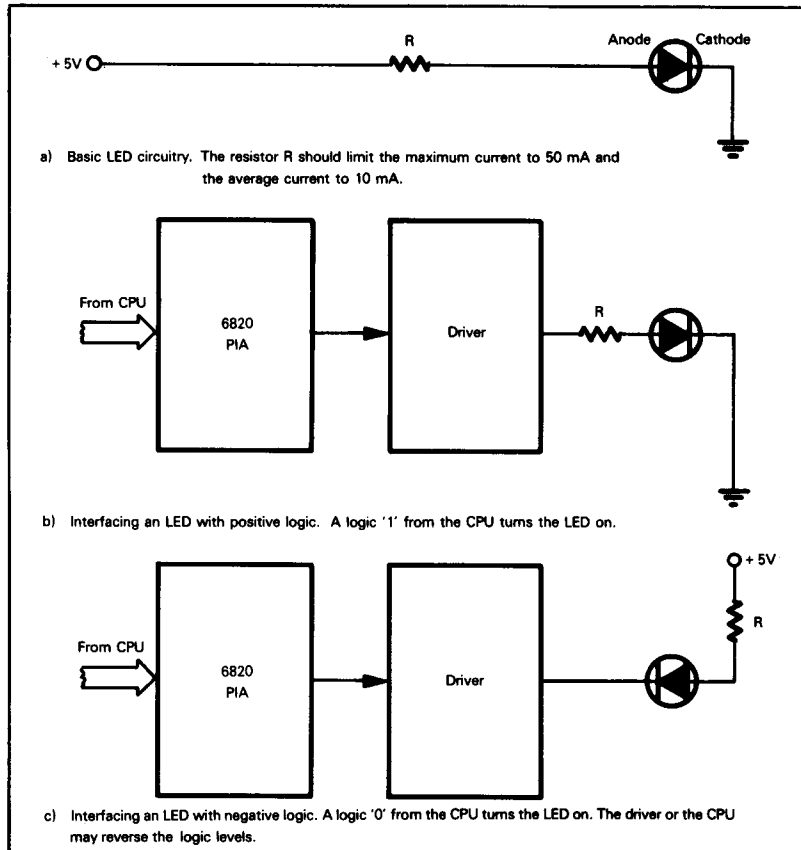


Figure 11-13. Interfacing an LED

## 11-38 6800 Assembly Language Programming

Note: The PIA has an output latch but no input latch. Remember that the B side of a PIA is buffered so that the output data can be read correctly regardless of the loading on the lines. The A side is unbuffered. The MOS PIA can (at best) sink a current of 1.6 mA, and therefore cannot handle LEDs directly.

### Turn the Light On or Off

**Purpose:** The program turns a single LED either on or off.

Send a Logic One to the LED (turn a positive display on or a negative display off).

#### Source Program:

(form data initially)

```

CLR   PIACRB      CLEAR OUT CONTROL REGISTER
LDAA  #$FF        ALL LINES OUTPUTS
STAA  PIADDRB
LDAA  #%00000100 ACCESS DATA REGISTER
STAA  PIACRB
LDAA  #MASKP      GET DATA FOR LED
STAA  PIADRB      AND SEND IT TO LED
SWI

```

The B side of the PIA is used because of the buffering. The CPU can therefore read the data from the output port.

(update data)

```

LDAA  PIADRB      GET OLD DATA
ORAA  #MASKP      TURN ON LED BIT
STAA  PIADRB      SEND DATA TO LED
SWI

```

MASKP has a one bit in the LED position and zeros elsewhere. Logically ORing with MASKP does not affect the other bit positions, which may contain bits for other LEDs.

#### Object Program:

| Memory Address<br>(Hex) | Memory Contents<br>(Hex) | Instruction<br>(Mnemonic) |
|-------------------------|--------------------------|---------------------------|
| (form data initially)   |                          |                           |
| 0000                    | 7F PIACRB                | CLR PIACRB                |
| 0003                    | 86 FF                    | LDAA #\$FF                |
| 0005                    | B7 PIADDRB               | STAA PIADDRB              |
| 0008                    | 86 04                    | LDAA #%00000100           |
| 000A                    | B7 PIACRB                | STAA PIACRB               |
| 000D                    | 86 MASKP                 | LDAA #MASKP               |
| 000F                    | B7 PIADRB                | STAA PIADRB               |
| 0012                    | 3F                       | SWI                       |
| (update data)           |                          |                           |
| 0013                    | B6 PIADRB                | LDAA PIADRB               |
| 0016                    | 8A MASKP                 | ORAA #MASKP               |
| 0018                    | B7 PIADRB                | STAA PIADRB               |
| 001B                    | 3F                       | SWI                       |

Send a Logic Zero to the LED (turn a positive display off or a negative display on).

The differences are that MASKP must be replaced by its logical complement MASKN, and ORAA #MASKP must be replaced by ANDA #MASKN.

MASKN has a zero bit in the LED position and ones elsewhere. Logically ANDing with MASKN does not affect the other bit positions.

### Seven-Segment LED Display

**Purpose:** To interface a seven-segment LED display to a 6800 microprocessor. The display may be either common-anode (negative logic) or common-cathode (positive logic).

Figure 11-14 shows the circuitry required to interface a seven-segment display. Each segment may have one, two, or more LEDs attached in the same way. There are two ways of connecting the displays. One is tying all the cathodes together to ground (see Figure 11-15a); this is a "common-cathode" display, and a logic one at an anode lights a segment. The other is tying all the anodes together to a positive voltage supply (see Figure 11-15b); this is a "common-anode" display, and a logic zero at a cathode lights a segment. So, the common-cathode display uses positive logic and the common-anode display uses negative logic. Either display requires appropriate drivers and resistors.

**COMMON-ANODE OR  
COMMON-CATHODE  
DISPLAYS**

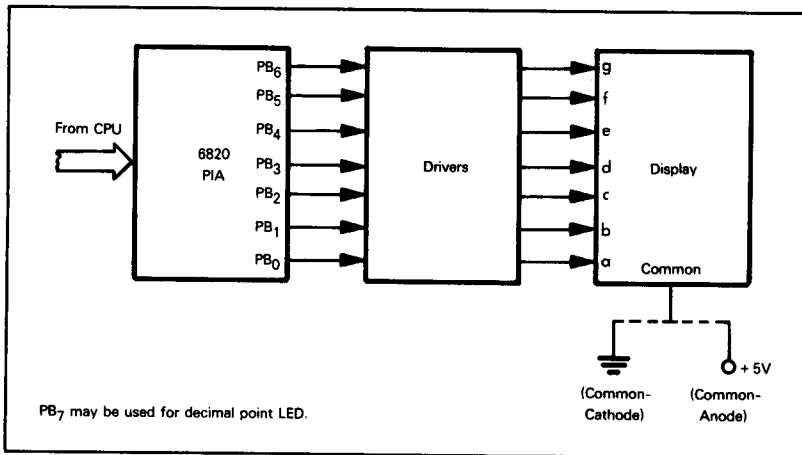
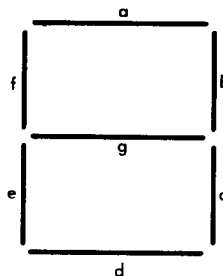


Figure 11-14. Interfacing a Seven-Segment Display

The Common line from the display is tied either to ground or to +5 volts. The display segments are customarily labelled



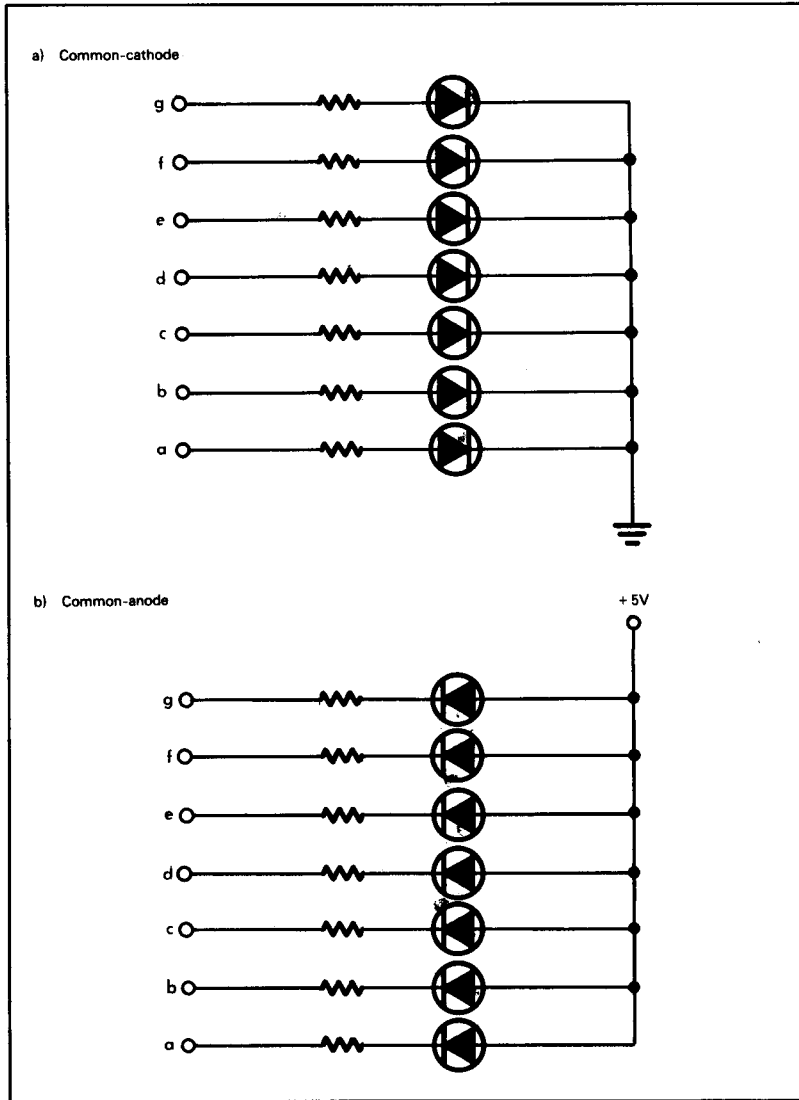


Figure 11-15. Seven-Segment Display Organization

Note: The seven-segment display is widely used because it contains the smallest number of separately controlled segments that can provide recognizable representations of all the decimal digits (see Figure 11-16 and Table 11-8). Seven-segment displays can also produce some letters and other characters (see Table 11-9). Better representations require a substantially larger number of segments and more circuitry. Since seven-segment displays are so popular, low-cost seven-segment decoder/drivers have become

**SEVEN-SEGMENT REPRESENTATIONS**

widely available. The most popular devices are the 7447 common-anode driver and the 7448 common-cathode driver; these devices have Lamp Test inputs (which turn all the segments on) and blanking inputs and outputs (for blanking leading or trailing zeros).

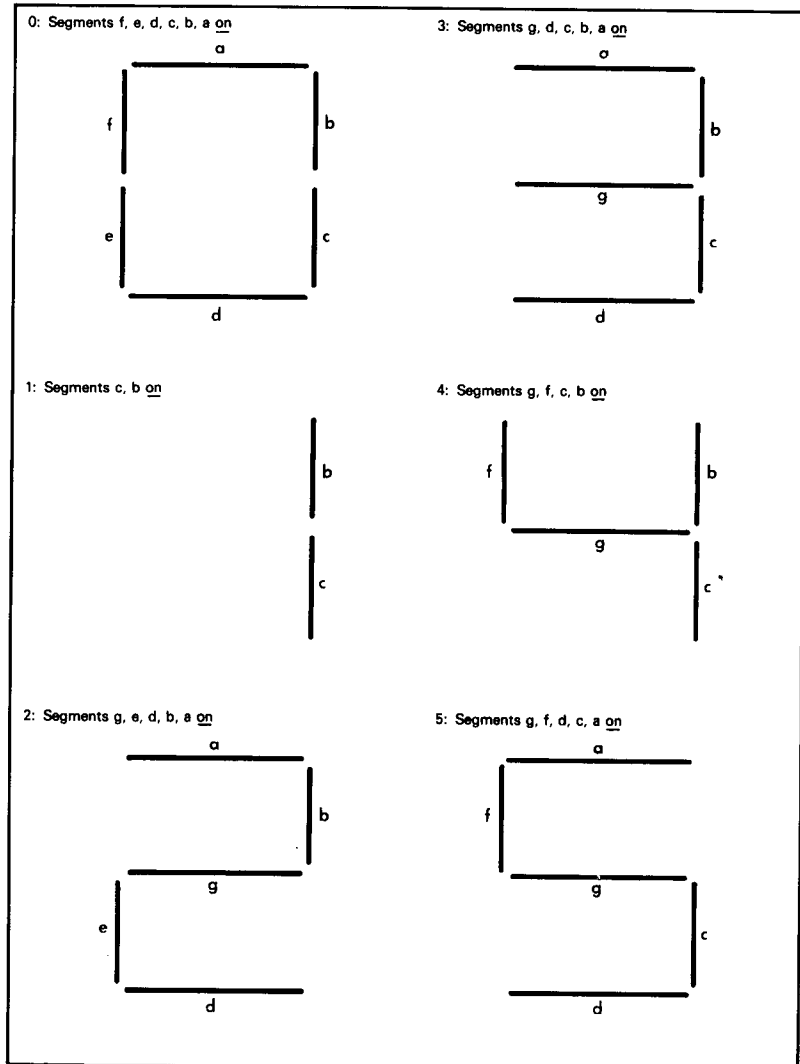


Figure 11-16. Seven-Segment Representations of Decimal Digits

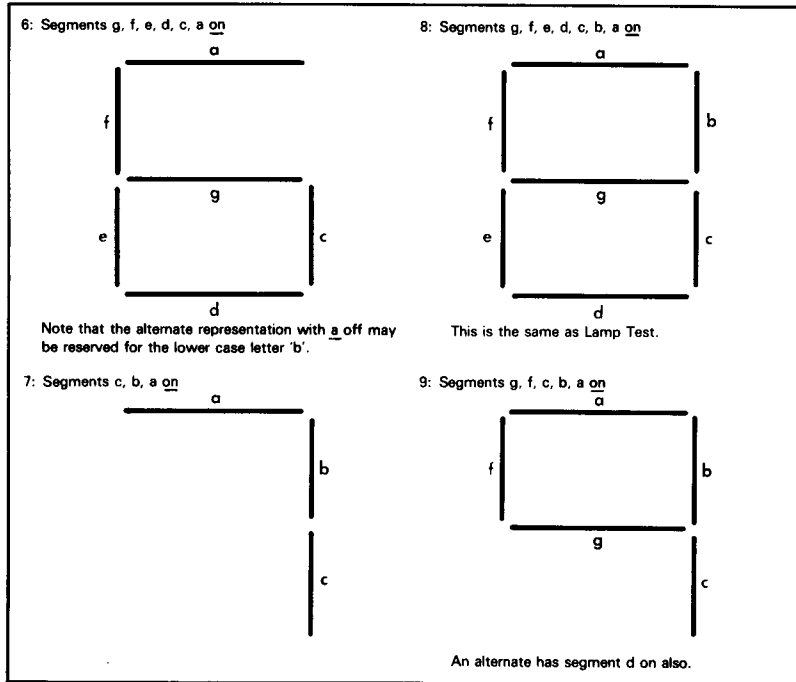


Figure 11-16. Seven-Segment Representations of Decimal Digits (Continued)

Table 11-8. Seven-Segment Representations of Decimal Numbers

| Number | Hexadecimal Representation |              |
|--------|----------------------------|--------------|
|        | Common-cathode             | Common-anode |
| 0      | 3F                         | 40           |
| 1      | 06                         | 79           |
| 2      | 5B                         | 24           |
| 3      | 4F                         | 30           |
| 4      | 66                         | 19           |
| 5      | 6D                         | 12           |
| 6      | 7D                         | 02           |
| 7      | 07                         | 78           |
| 8      | 7F                         | 00           |
| 9      | 67                         | 18           |

Bit 7 is always zero and the others are g, f, e, d, c, b, and a in decreasing order of significance.

Table 11-9. Seven-Segment Representations of Letters and Symbols

## Upper-case Letters

| Letter | Hexadecimal Representation |              |
|--------|----------------------------|--------------|
|        | Common-cathode             | Common-anode |
| A      | 77                         | 08           |
| C      | 39                         | 46           |
| E      | 79                         | 06           |
| F      | 71                         | 0E           |
| H      | 76                         | 09           |
| I      | 06                         | 79           |
| J      | 1E                         | 61           |
| L      | 38                         | 47           |
| O      | 3F                         | 40           |
| P      | 73                         | 0C           |
| U      | 3E                         | 41           |
| Y      | 66                         | 19           |

## Lower-case Letters and Special Characters

| Character | Hexadecimal Representation |              |
|-----------|----------------------------|--------------|
|           | Common-cathode             | Common-anode |
| b         | 7C                         | 03           |
| c         | 58                         | 27           |
| d         | 5E                         | 21           |
| h         | 74                         | 0B           |
| n         | 54                         | 2B           |
| o         | 5C                         | 23           |
| r         | 50                         | 2F           |
| u         | 1C                         | 63           |
| -         | 40                         | 3F           |
| ?         | 53                         | 2C           |

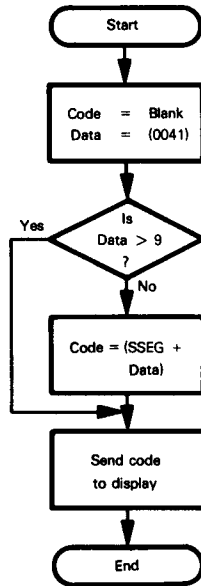
**Programming Example**

**Purpose:** Display the contents of memory location 0041 on a seven-segment display if it contains a decimal digit. Otherwise, blank the display.

**Sample Problems:**

- a) (0041) = 05  
Result is 5 on display
- b) (0041) = 66  
Result is a blank display

**Flowchart:**



**Source Program:**

|       |      |             |                              |
|-------|------|-------------|------------------------------|
|       | CLR  | PIACRB      | CLEAR OUT CONTROL REGISTER   |
|       | LDAA | #\$FF       | ALL LINES OUTPUTS            |
|       | STAA | PIADDRB     |                              |
|       | LDAA | ##%00000100 | ACCESS DATA REGISTER         |
|       | STAA | PIACRB      |                              |
|       | LDAB | #BLANK      | GET BLANK CODE               |
|       | LDAA | \$41        | GET DATA                     |
|       | CMPA | #9          | IS DATA GREATER THAN 9?      |
|       | BHI  | DSPLY       | YES. DISPLAY BLANKS          |
|       | CLR  | \$40        |                              |
|       | LDX  | \$40        | GET OFFSET ADDRESS FOR TABLE |
|       | LDAB | SSEG,X      | GET SEVEN-SEGMENT CODE       |
| DSPLY | STAB | PIADRB      | CODE TO DISPLAY              |
|       | SWI  |             |                              |

BLANK is 00 for a common-cathode display, FF for a common-anode display. Another procedure would be to put the blank code at the end of the table and replace all improper data values with 10; i.e.,

|       |      |       |                                          |
|-------|------|-------|------------------------------------------|
|       | LDAA | #10   |                                          |
|       | CMPA | \$41  | IS DATA 10 OR MORE?                      |
|       | BHI  | CNVRT | NO. GO CONVERT TO SEVEN-SEGMENT          |
|       | STAA | \$41  | YES. MAKE DATA INTO INDEX FOR BLANK CODE |
| CNVRT | CLR  | \$40  | GET MSBS OF BASE ADDRESS                 |

Table SSEG is either the common-cathode or common-anode representation of the decimal digits from Table 11-8.

**Object Program:**

| Memory Address<br>(Hex) | Memory Contents<br>(Hex) | Instruction<br>(Mnemonic) |
|-------------------------|--------------------------|---------------------------|
| 0000                    | 7F PIACRB                | CLR PIACRB                |
| 0003                    | 86 FF                    | LDAA #\$FF                |
| 0005                    | B7 PIADDRB               | STAA PIADDRB              |
| 0008                    | 86 04                    | LDAA #%00000100           |
| 000A                    | B7 PIACRB                | STAA PIACRB               |
| 000D                    | C6 BLANK                 | LDAB #BLANK               |
| 000F                    | 96 41                    | LDAA \$41                 |
| 0011                    | 81 09                    | CMPA #9                   |
| 0013                    | 22 07                    | BHI DSPLY                 |
| 0015                    | 7F 0040                  | CLR \$40                  |
| 0018                    | DE 40                    | LDX \$40                  |
| 001A                    | E6 20                    | LDAB SSEG,X               |
| 001C                    | F7 PIADRB DSPLY          | STAB PIADRB               |
| 001F                    | 3F                       | SWI                       |
| 0020-0029               |                          | SSEG                      |

More generally, if the table is located at the address given by SSEGM (8 MSBs) and SSEGL (8 LSBs), you must replace CLR \$40 with

```
LDAB #SSEGM      GET 8 MSBS OF BASE ADDRESS
STAB $40
```

and LDAB SSEG,X with

```
LDAB SSEGL,X    GET SEVEN-SEGMENT CODE
```

Several displays may be multiplexed, as shown in Figure 11-17. A brief strobe on control line CB2 clocks the counter and directs data to the next display. RESET starts the decimal counter at 9 so that the first output operation clears the counter and directs data to the first display.

The following program uses the delay routine to pulse each of ten common-cathode displays for 1 ms.

**Programming Example**

**Purpose:** Display the contents of memory locations 0040 through 0049 on ten seven-segment displays which are multiplexed with a counter and a decoder.

**Sample Problem:**

```
(0040) = 66
(0041) = 3F
(0042) = 7F
(0043) = 7F
(0044) = 06
(0045) = 5B
(0046) = 07
(0047) = 4F
(0048) = 6D
(0049) = 7D
```

Display reads 4088127356

**11-46** 6800 Assembly Language Programming

**Source Program:**

```

CLR   PIACRB      CLEAR OUT CONTROL REGISTER
LDAA  #$FF        ALL LINES OUTPUTS
STAA  PIADDRB
LDAA  #%00101100 MAKE CB2 A BRIEF CLOCK PULSE
STAA  PIACRB
SCAN  LDX  #$40    POINT TO START OF DATA
      LDAB #10     NUMBER OF DISPLAYS = 10
DSPLY LDAA  X      GET DATA FOR A DISPLAY
      STAA PIADRB  SEND IT TO DISPLAY
      JSR  DELAY   WAIT 1 MS
      INX
      DECB        COUNT DISPLAYS
      BNE  DSPLY
      BRA  SCAN    START ANOTHER SCAN

```

Control register bit 5 = 1 to make CB2 an output, bit 4 = 0 to make it a pulse, and bit 3 = 1 to make it a brief strobe.

**Object Program:**

| Memory Address<br>(Hex) | Memory Contents<br>(Hex) |         | Instruction<br>(Mnemonic) |
|-------------------------|--------------------------|---------|---------------------------|
| 0000                    | 7F                       | PIACRB  | CLR PIACRB                |
| 0003                    | 86                       | FF      | LDAA #\$FF                |
| 0005                    | B7                       | PIADDRB | STAA PIADDRB              |
| 0008                    | 86                       | 2C      | LDAA #%00101100           |
| 000A                    | B7                       | PIACRB  | STAA PIACRB               |
| 000D                    | CE                       | 0040    | SCAN LDX #\$40            |
| 0010                    | C6                       | 0A      | LDAB #10                  |
| 0012                    | A6                       | 00      | DSPLY LDAA X              |
| 0014                    | B7                       | PIADRB  | STAA PIADRB               |
| 0017                    | BD                       | 0030    | JSR DELAY                 |
| 001A                    | 08                       |         | INX                       |
| 001B                    | 5A                       |         | DECB                      |
| 001C                    | 26                       | F4      | BNE DSPLY                 |
| 001E                    | 20                       | ED      | BRA SCAN                  |

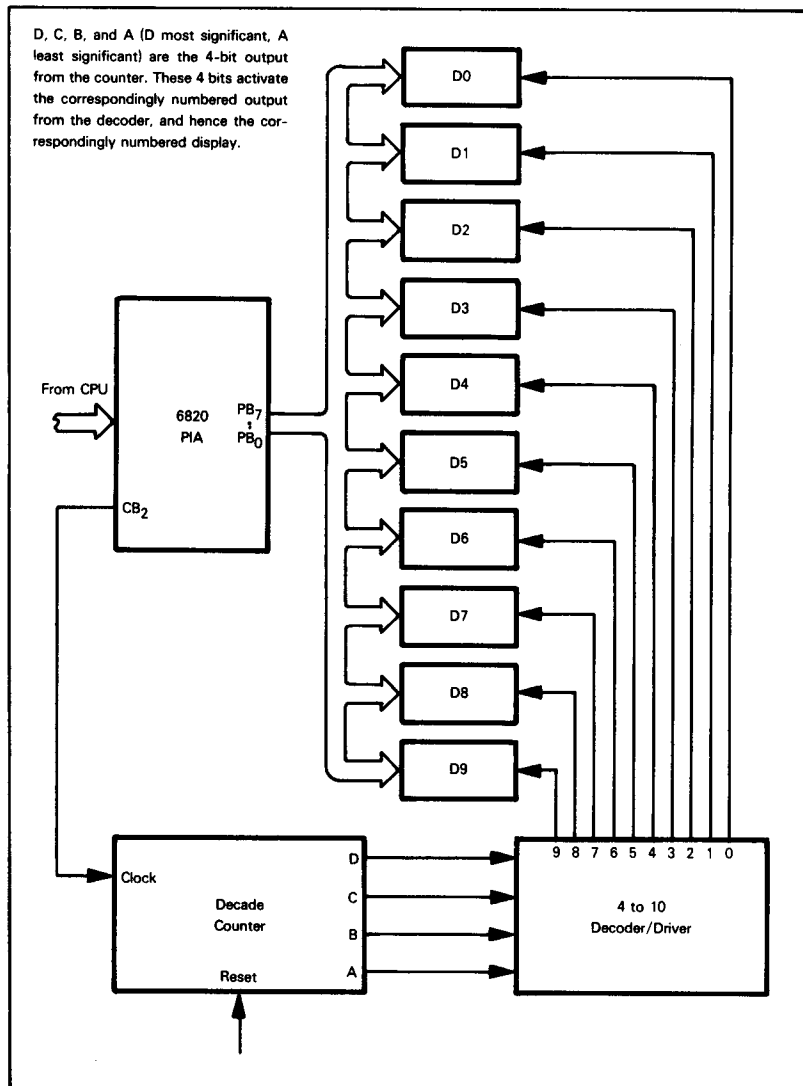


Figure 11-17. Multiplexed Seven-Segment Displays

## PROBLEMS

### 1) An On-Off Pushbutton

**Purpose:** Each closure of the pushbutton complements (inverts) all the bits in memory location 0040. The location initially contains zero. The program should continuously examine the pushbutton and complement location 0040 with each closure. You may wish to complement a display output port instead, so as to make the results easier to see.

**Sample Case:**

Location 0040 initially contains zero.

The first pushbutton closure changes location 0040 to FF (hex), the second changes it back to zero, the third back to FF (hex), etc. Assume that the pushbutton is debounced in hardware. How would you include debouncing in your program?

### 2) Debouncing a Switch in Software

**Purpose:** Debounce a mechanical switch by waiting until two readings, taken a debounce time apart, give the same result. Assume that the debounce time (in ms) is in memory location 0040, and place the switch position in memory location 0041.

**Sample Problem:**

(0040) = 03 causes the program to wait 3 ms between readings.

### 3) Control for a Rotary Switch

**Purpose:** Another switch serves as a Load switch for a four-position unencoded rotary switch. The CPU waits for the Load switch to close (be zero), and then reads the position of the rotary switch. This procedure allows the operator to move the rotary switch to its final position before the CPU tries to read it. The program should place the position of the rotary switch in memory location 0040. Debounce the Load switch in software.

**Sample Problem:**

Place rotary switch in position 2. Close Load switch.

Result: (0040) = 02

#### 4) Record Switch Positions on Lights

**Purpose:** A set of eight switches should have their positions reflected in eight LEDs. That is to say, if the switch is closed (zero), the LED should be on; otherwise, the LED should be off. Assume that the CPU output port is connected to the cathodes of the LEDs.

**Sample Problem:**

```
SWITCH 0 CLOSED
SWITCH 1 OPEN
SWITCH 2 CLOSED
SWITCH 3 OPEN
SWITCH 4 OPEN
SWITCH 5 CLOSED
SWITCH 6 CLOSED
SWITCH 7 OPEN
```

Result:

```
LED 0 ON
LED 1 OFF
LED 2 ON
LED 3 OFF
LED 4 OFF
LED 5 ON
LED 6 ON
LED 7 OFF
```

How would you change the program so that a switch attached to bit 7 of Side A of PIA #2 determines whether or not the displays are active (i.e., if the control switch is closed, the displays attached to Side B reflect the switches attached to Side A; if the control switch is open, the displays are always off)? A control switch is useful when the displays may distract the operator, as in an airplane.

How would you change the program so as to make the control switch an on-off pushbutton; that is, each closure reverses the previous state of the displays? Assume that the displays start in the active state and that the program examines and debounces the pushbutton before sending data to the displays. How would you change your program if the control switch were attached to a PIA control line?

#### 5) Count on a Seven-Segment Display

**Purpose:** The program should count from 0 to 9 continuously on a seven-segment display, starting with zero.

Hint: Try different timing lengths for the displays and see what happens. When does the count become visible? What happens if the display is blanked part of the time?

### MORE COMPLEX I/O DEVICES

More complex I/O devices differ from simple keyboards, switches, and displays in that:

- 1) They transfer data at higher rates.
- 2) They may have their own internal clocks and timing.
- 3) They produce status information and require control information, as well as transferring data.

Because of their high data rates, you cannot handle these I/O devices casually. If the processor does not provide the appropriate service, the system may miss input data or produce erroneous output data. You are therefore working under much more exacting constraints than in dealing with simpler devices. Interrupts are a convenient method for handling complex I/O devices, as we shall see in Chapter 12.

Peripherals such as keyboards, teletypewriters, cassettes, and floppy disks produce their own internal timing. These devices provide streams of data, separated by specific timing intervals. The computer must synchronize the initial input or output operation with the peripheral clock and then provide the proper interval between subsequent operations. A simple delay loop like the one shown previously can produce the timing interval. The synchronization may require one or more of the following procedures:

**SYNCHRONIZING WITH I/O DEVICES**

- 1) Looking for a transition on a clock or strobe line provided by the peripheral for timing purposes. The simplest method is to tie the strobe to a PIA control line and look for a change in the appropriate bit of the PIA Control register.
- 2) Finding the center of the time interval during which the data is stable. We would prefer to determine the value of the data at the center of the pulse rather than at the edges, where the data may be changing. Finding the center requires a delay of one-half of a transmission interval (bit time) after the edge. Sampling the data at the center also means that small timing errors have little effect on the accuracy of the reception.
- 3) Recognizing a special starting code. This is easy if the code is a single bit or if we have some timing information. The procedure is more complex if the code is long and could start at any time. Shifting will be necessary to determine where the transmitter is starting its bits, characters, or messages (this is often called a search for the correct "framing").
- 4) Sampling the data several times. This reduces the probability of receiving data incorrectly from noisy lines. Majority logic (such as best 3 out of 5 or 5 out of 8) can be used to decide on the actual data value.

Reception is, of course, much more difficult than transmission, since the peripheral controls the reception and the computer must interpret timing information generated by the peripheral. In transmission, the computer provides the proper timing and formatting for a specific peripheral.

Peripherals may require or provide other information besides data and timing. We refer to other information transmitted by the computer as "control information"; it may select modes of operation, start or stop processes, clock registers, enable buffers, choose formats or protocols, provide operator displays, count operations, or identify the type and priority of the operation. We refer to other information transmitted by the peripheral as "status information"; it may indicate the mode of operation, the readiness of devices, the presence of error conditions, the format of protocol in use, and other states or conditions.

**CONTROL AND STATUS INFORMATION**

The computer handles control and status information just like data. This information seldom changes, even though actual data may be transferred at a high rate. The control or status information may be single bits, digits, words, or multiple words. Often single bits or short fields are combined and handled by a single input or output port.

Combining status and control information into bytes reduces the total number of I/O port addresses required by the peripherals. However, the combination does mean that individual status input bits must be separately interpreted and control output bits must

be separately determined. The procedures for isolating status bits and setting or resetting control bits are as follows:

#### Separating Out Status Bits

- Step 1) Read status data from the peripheral
- Step 2) Logical AND with a mask (the mask has ones in bit positions that must be examined, and zeros elsewhere)
- Step 3) Shift the separated bits to the least significant bit positions

**SEPARATING  
STATUS  
INFORMATION**

Step 3 is unnecessary if the field is a single bit, since the Zero flag will contain the complement of that bit after Step 2 (try it!). A Shift or Load instruction can replace Step 2 if the field is a single bit and occupies the least significant, most significant, or next to most significant bit position. These positions are often reserved for the most frequently used status information. You should try to write the required instruction sequences for the 6800 processor.

#### Setting and Clearing Control Bits

- Step 1) Read prior control information
- Step 2) Logical AND with mask to clear bits (mask has zeros in bit positions to be cleared, ones elsewhere)
- Step 3) Logically OR with mask to set bits (mask has ones in bit positions to be set, zeros elsewhere)
- Step 4) Send new control information to peripheral

**COMBINING  
CONTROL  
INFORMATION**

Here again the procedure is simpler if the field is a single bit and occupies a position at the end of the word.

Some examples of separating and combining status bits are:

- 1) A 3-bit field in bit positions 2 through 4 of a PIA data register is a scaling factor. Place that factor in Accumulator A.

## 11-52 6800 Assembly Language Programming

```
•  
• READ STATUS DATA FROM INPUT PORT  
•  
  LDAA  PIADR      READ STATUS DATA  
•  
• MASK OFF UNWANTED BITS AND SHIFT  
•  
  ANDA  #%00011100 MASK SCALING FACTOR  
  LSRA  SHIFTR     SHIFT TWICE TO NORMALIZE  
  LSRA  
2) Accumulator A contains a 2-bit field that must be placed in bit positions 3 and 4 of  
  a PIA data register.  
•  
• MOVE DATA TO FIELD POSITIONS  
•  
  ASLA  SHIFTR     SHIFT DATA TO BIT POSITIONS 3 AND 4  
  ASLA  
  ASLA  
  ANDA  #%00011000 CLEAR OUT OTHER BITS  
•  
• COMBINE NEW FIELD POSITIONS WITH OTHER DATA  
•  
  STAA  TEMP      SAVE NEW FIELD VALUE  
  LDAA  PIADR     CLEAR OLD FIELD VALUE  
  ANDA  #%11100111  
  ORAA  TEMP      INSERT NEW FIELD VALUE  
  STAA  PIADR
```

Documentation is a serious problem in handling control and status information. The meanings of status inputs or control outputs are seldom obvious. The programmer should clearly indicate the purposes of input and output operations with comments such as "CHECK IF READER IS ON", "CHOOSE EVEN PARITY OPTION", or "ACTIVATE BIT RATE COUNTER". The Logical and Shift instructions will otherwise be very difficult to remember, understand, or debug.

**DOCUMENTING  
STATUS AND  
CONTROL  
TRANSFERS**

## EXAMPLES

### An Unencoded Keyboard

**Purpose:** Recognize a key closure from an unencoded 3 x 3 keyboard and place the number of the key that was pressed in Accumulator B.

Keyboards are just collections of switches (see Figure 11-18). Small numbers of keys are easiest to handle if each key is attached separately to a bit of an input port. Interfacing the keyboard is then the same as interfacing a set of switches.

Keyboards with more than eight keys require more than one input port and therefore multibyte operations. This is particularly wasteful if the keys are logically separate, as in a calculator or terminal keyboard where the user will only strike one at a time. The number of input lines required may be reduced by connecting the keys into a matrix, as shown in Figure 11-19. Now each key represents a potential connection between a row and a column. The keyboard matrix requires  $n + m$  external lines, where  $n$  is the number of rows and  $m$  is the number of columns. This compares to  $n \times m$  external lines if each key is separate. Table 11-10 compares the number of keys required by typical configurations.

**MATRIX  
KEYBOARD**

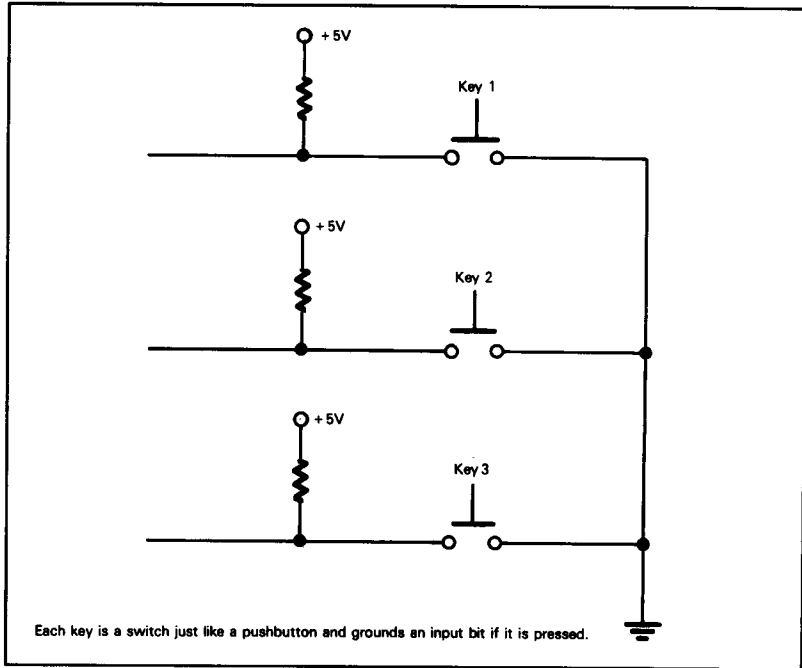


Figure 11-18. A Small Keyboard

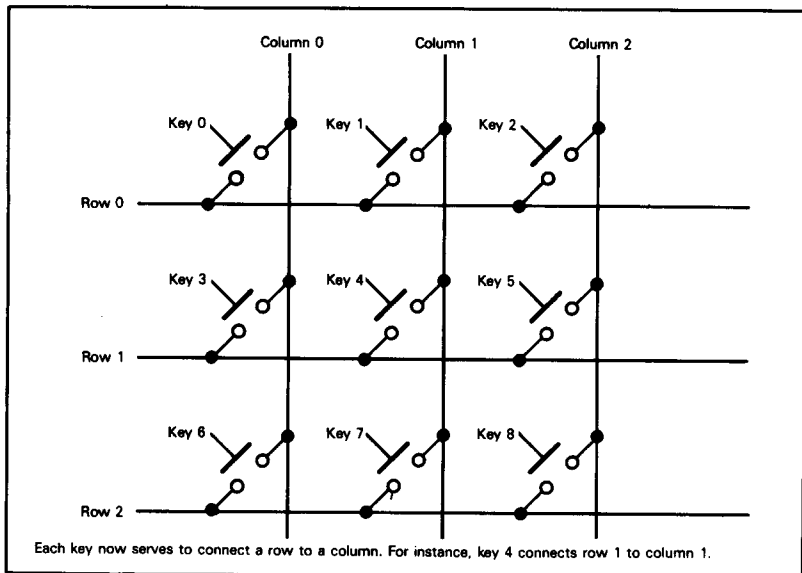


Figure 11-19. A Keyboard Matrix

Table 11-10. Comparison Between Independent Connections and Matrix Connections for Keyboards

| Keyboard Size | Number of Lines with Independent Connections | Number of Lines with Matrix Connections |
|---------------|----------------------------------------------|-----------------------------------------|
| 3 x 3         | 9                                            | 6                                       |
| 4 x 4         | 16                                           | 8                                       |
| 4 x 6         | 24                                           | 10                                      |
| 5 x 5         | 25                                           | 10                                      |
| 6 x 6         | 36                                           | 12                                      |
| 6 x 8         | 48                                           | 14                                      |
| 8 x 8         | 64                                           | 16                                      |

A program can determine which key has been pressed by using the external lines from the matrix. The usual procedure is a "keyboard scan". We ground Row 0 and examine the column lines. If any lines are grounded, a key in that row has been pressed, causing a row-to-column connection. We can determine which key was pressed by determining which column line is grounded; that is, which bit of the input port is zero. If no column line is grounded, we proceed to Row 1 and repeat the scan. Note that we can check to see if any keys at all have been pressed by grounding all the rows at once and examining the columns.

**KEYBOARD SCAN**

The keyboard scan requires that the row lines be tied to an output port and the column lines to an input port. Figure 11-20 shows the arrangement. The CPU can ground a particular row by placing a zero in the appropriate bit of the output port and ones in the other bits.

The CPU can determine the state of a particular column by examining the appropriate bit of the input port.

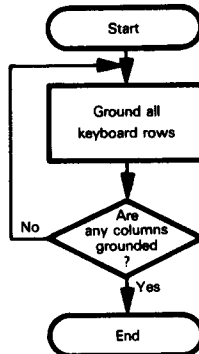
**Task 1:** Wait for a key to be pressed.

The procedure is as follows:

- 1) Ground all the rows by clearing all the output bits.
- 2) Fetch the column inputs by reading the input port.
- 3) Return to Step 1 if all the column inputs are ones.

**WAITING FOR A KEY CLOSURE**

**Flowchart:**



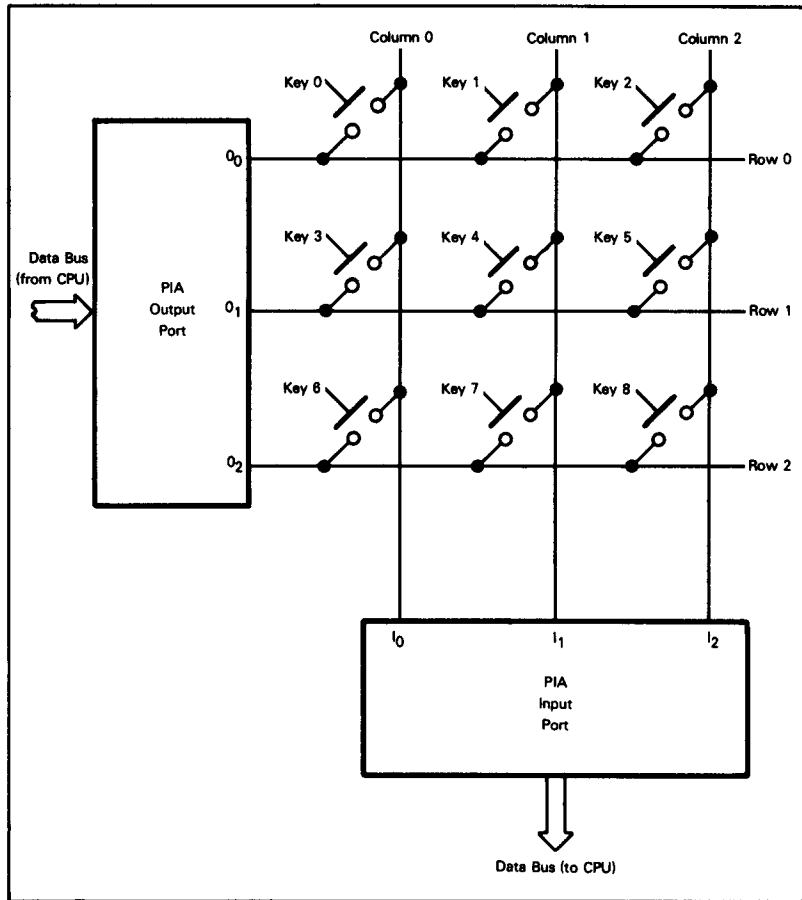


Figure 11-20. I/O Arrangement for a Keyboard Scan

**Source Program:**

```

CLR    PIACRA           CLEAR OUT CONTROL REGISTERS
CLR    PIACRB
CLR    PIADDRB         MAKE PIA A SIDE INPUTS
LDAA   #$FF            MAKE PIA B SIDE OUTPUTS
STAA  PIADDRB
LDAA   #%00000100     ACCESS DATA REGISTERS
STAA  PIACRA
STAA  PIACRB
CLR    PIADRB         GROUND ALL KEYBOARD ROWS
WAITK LDAA  PIADRA     GET KEYBOARD COLUMN DATA
AND   #%00000111     MASK COLUMN BITS
CMPA  #%00000111     ARE ANY COLUMNS GROUNDED?
BEQ   WAITK          NO, WAIT UNTIL ONE IS
SWI

```

**Object Program:**

| Memory Address<br>(Hex) | Memory Contents<br>(Hex) | Instruction<br>(Mnemonic) |
|-------------------------|--------------------------|---------------------------|
| 0000                    | 7F PIACRA                | CLR PIACRA                |
| 0003                    | 7F PIACRB                | CLR PIACRB                |
| 0006                    | 7F PIADDRA               | CLR PIADDRA               |
| 0009                    | 86 FF                    | LDAA #\$FF                |
| 000B                    | B7 PIADDRB               | STAA PIADDRB              |
| 000E                    | 86 04                    | LDAA #%00000100           |
| 0010                    | B7 PIACRA                | STAA PIACRA               |
| 0013                    | B7 PIACRB                | STAA PIACRB               |
| 0016                    | 7F PIADRB                | CLR PIADRB                |
| 0019                    | B6 PIADRA WAITK          | LDAA PIADRA               |
| 001C                    | 84 07                    | ANDA #%00000111           |
| 001E                    | 81 07                    | CMPA #%00000111           |
| 0020                    | 27 F7                    | BEQ WAITK                 |
| 0022                    | 3F                       | SWI                       |

PIA side B is the keyboard output port and side A is the input port.

Masking off all but the column bits eliminates any problems that could be caused by the states of the unused input lines.

We could generalize the routine by naming the output and masking patterns:

```

ALLGND EQU    %11111000
ALLOPN EQU    %00000111
    
```

These names could then be used in the actual program; a different keyboard would only require a change in the definitions and a re-assembly.

Of course, one side of a PIA is all that is really necessary for a 3 x 3 or 4 x 4 keyboard. Try rewriting the program so that it only uses side A.

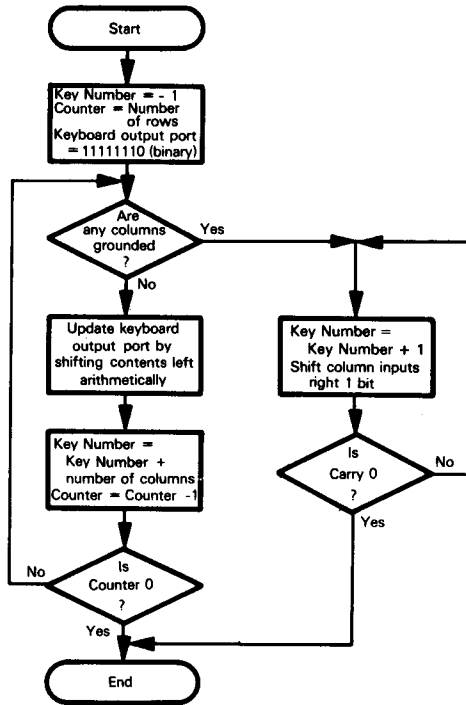
You can shorten this program by five bytes by using Indexed addressing to access the PIA. Try rewriting the program to accomplish this.

**Task 2:** Identify a key closure by placing the number of the key in Accumulator B.

The procedure is as follows:

- 1) Set key number to -1, keyboard output port to all ones except for a zero in bit 0, and row counter to number of rows.
- 2) Fetch the column inputs by reading the input port.
- 3) If any column inputs are zero, proceed to Step 7.
- 4) Add the number of columns to the key number to reach next row.
- 5) Update the contents of the output port by shifting the zero bit left one position.
- 6) Decrement row counter. Go to Step 2 if any rows have not been scanned, otherwise go to Step 9.
- 7) Add 1 to key number. Shift column inputs right one bit.
- 8) If Carry = 1, return to Step 7.
- 9) End of program.

Flowchart:



**Source Program:**

|      |      |             |                                                    |
|------|------|-------------|----------------------------------------------------|
|      | CLR  | PIACRA      | CLEAR OUT CONTROL REGISTERS                        |
|      | CLR  | PIACRB      |                                                    |
|      | CLR  | PIADRA      | MAKE PIA A SIDE INPUTS                             |
|      | LDAB | #\$FF       | KEY NUMBER = -1                                    |
|      | STAB | PIADRB      | MAKE PIA B SIDE OUTPUTS                            |
|      | LDAA | ##%00000100 | ACCESS DATA REGISTERS                              |
|      | STAA | PIACRA      |                                                    |
|      | STAA | PIACRB      |                                                    |
|      | LDAA | ##%11111110 | START BY GROUNDING ROW ZERO                        |
|      | STAA | PIADRB      |                                                    |
|      | LDAA | #3          | COUNTER = NUMBER OF ROWS                           |
|      | STAA | \$40        |                                                    |
| FROW | LDAA | PIADRA      | GET COLUMN INPUTS                                  |
|      | ANDA | ##%00000111 | MASK OFF COLUMN BITS                               |
|      | CMPA | ##%00000111 | ARE ANY COLUMNS GROUNDED?                          |
|      | BNE  | FCOL        | YES, GO DETERMINE WHICH ONE                        |
|      | ADDB | #3          | NO. KEY NUMBER = KEY NUMBER<br>+ NUMBER OF COLUMNS |
|      | ASL  | PIADRB      | UPDATE SCAN PATTERN FOR NEXT ROW                   |
|      | DEC  | \$40        | HAVE ALL ROWS BEEN SCANNED?                        |
|      | BNE  | FROW        | NO. SCAN NEXT ONE                                  |
|      | SWI  |             |                                                    |
| FCOL | INCB |             | KEY NUMBER = KEY NUMBER + 1                        |
|      | LSRA |             | IS THIS COLUMN GROUNDED?                           |
|      | BCS  | FCOL        | NO. EXAMINE NEXT ONE                               |
|      | SWI  |             |                                                    |

**Object Program:**

| Memory Address<br>(Hex) | Memory Contents<br>(Hex) |        | Instruction<br>(Mnemonic) |
|-------------------------|--------------------------|--------|---------------------------|
| 0000                    | 7F                       | PIACRA | CLR PIACRA                |
| 0003                    | 7F                       | PIACRB | CLR PIACRB                |
| 0006                    | 7F                       | PIADRA | CLR PIADRA                |
| 0009                    | C6                       | FF     | LDAB #\$FF                |
| 000B                    | F7                       | PIADRB | STAB PIADRB               |
| 000E                    | 86                       | 04     | LDAA #%00000100           |
| 0010                    | B7                       | PIACRA | STAA PIACRA               |
| 0013                    | B7                       | PIACRB | STAA PIACRB               |
| 0016                    | 86                       | FE     | LDAA #%11111110           |
| 0018                    | B7                       | PIADRB | STAA PIADRB               |
| 001B                    | 86                       | 03     | LDAA #3                   |
| 001D                    | 97                       | 40     | STAA \$40                 |
| 001F                    | B6                       | PIADRA | FROW LDAA PIADRA          |
| 0022                    | 84                       | 07     | ANDA #%00000111           |
| 0024                    | 81                       | 07     | CMPA #%00000111           |
| 0026                    | 26                       | 0B     | BNE FCOL                  |
| 0028                    | CB                       | 03     | ADDB #3                   |
| 002A                    | 78                       | PIADRB | ASL PIADRB                |
| 002D                    | 7A                       | 0040   | DEC \$40                  |
| 0030                    | 26                       | ED     | BNE FROW                  |
| 0032                    | 3F                       |        | SWI                       |
| 0033                    | 5C                       |        | FCOL INCB                 |
| 0034                    | 44                       |        | LSRA                      |
| 0035                    | 25                       | FC     | BCS FCOL                  |
| 0037                    | 3F                       |        | SWI                       |

Each time a row scan fails, we must add the number of columns to the key number so as to move past the present row (try it on the keyboard in Figure 11-20).

This program can be generalized by making the number of rows, the number of columns, and the masking pattern into named parameters with EQU pseudo-operations.

Another alternative is to use the bidirectional capability of the PIA. This technique is described on page 5-8 of the Motorola 6800 Applications Manual.

What is the result of the program if no keys are being pressed? Change the program so that it starts the scan over again in that case.

### An Encoded Keyboard

**Purpose:** Fetch data, when it is available, from an encoded keyboard that provides a strobe along with each data transfer.

An encoded keyboard provides a unique code for each key. It has internal electronics that perform the scanning and identification procedure of the previous example. The tradeoff is between the simpler software required by the encoded keyboard and the lower hardware cost of the unencoded keyboard.

Encoded keyboards may use diode matrices, TTL encoders, or MOS encoders. The codes may be ASCII, EBCDIC, or a custom code. PROMs are often part of the encoding circuitry.

## 11-60 6800 Assembly Language Programming

The encoding circuitry may do more than just encode key closures. It may also de-bounce the keys and handle "rollover", the problem of more than one key being struck at the same time. Common ways of handling rollover include "2-key rollover", whereby two keys (but not more) struck at the same time are resolved into separate closures, and "n-key rollover", whereby any number of keys struck at the same time are resolved into separate closures.

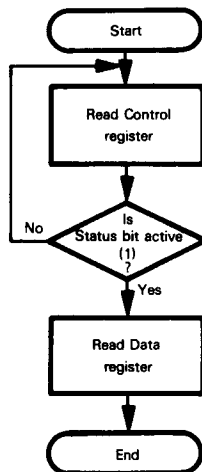
The encoded keyboard also provides a strobe with each data transfer. The strobe identifies a new closure. Figure 11-21 shows the interface between an encoded keyboard and the 6800 microprocessor. The keyboard strobe is latched into bit 7 of the PIA Control register. Bit 1 of the Control register determines which edge of the strobe is recognized by the PIA.

Note that the PIA contains a serial, edge-sensitive latched status port as well as a data port. It also contains an inverter that can be used to handle strobes of either polarity (Control register bit 1 = 0 to recognize a high-to-low transition). The PIA can replace several simple circuit elements. The designer can make corrections by changing the contents of the Control register (in software) rather than by rewiring a breadboard. For example, changing the active edge requires the changing of a single program bit, whereas it might require additional circuit elements and rewiring on a breadboard.

**Task:** Wait for an active-low strobe on control line CA1 and then place the data from the Data register in Accumulator A.

Note that reading the data from the Data register clears the status bit (this circuitry is part of the 6820 PIA).

### Flowchart:



The hardware must hold the control lines in a logic one state while  $\overline{\text{RESET}}$  is active to prevent the accidental setting of status flags. An initial read of the Data registers in the startup routine may be used to clear the status flags.<sup>4</sup>

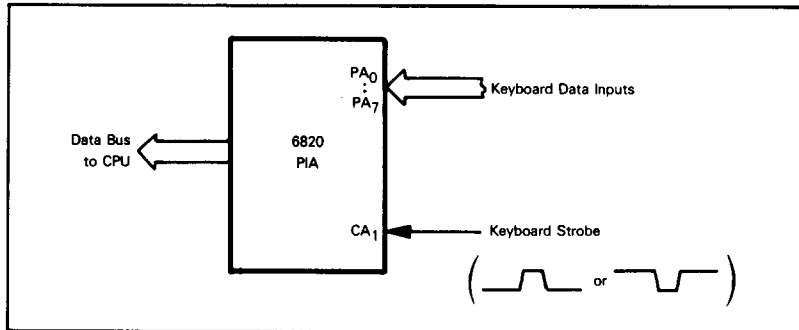


Figure 11-21. I/O Interface for an Encoded Keyboard

**Source Program:**

```

CLR    PIACRA      CLEAR OUT CONTROL REGISTER
CLR    PIADDRA    MAKE DATA LINES INPUTS
LDAA   #%00000100 ACCESS DATA REGISTER
STAA   PIACRA
KBWAIT LDAA   PIACRA  IS THERE NEW KEYBOARD DATA?
      BPL    KBWAIT   NO, WAIT UNTIL THERE IS
LDAA   PIADRA     YES, FETCH DATA
SWI

```

**Object Program:**

| Memory Address<br>(Hex) | Memory Contents<br>(Hex) | Instruction<br>(Mnemonic) |
|-------------------------|--------------------------|---------------------------|
| 0000                    | 7F PIACRA                | CLR PIACRA                |
| 0003                    | 7F PIADDRA               | CLR PIADDRA               |
| 0006                    | 86 04 LDAA<br>#%00000100 | LDAA #%00000100           |
| 0008                    | B7 PIACRA                | STAA PIACRA               |
| 000B                    | B6 PIACRA                | KBWAIT LDAA PIACRA        |
| 000E                    | 2A FB BPL                | KBWAIT                    |
| 0010                    | B6 PIADRA                | LDAA PIADRA               |
| 0013                    | 3F SWI                   | SWI                       |

To make the status bit react to low-to-high transitions on CA1, you can simply replace LDAA #%00000100 with LDAA #%00000110.

Show that reading the Data register clears the status bit. Hint: Save the contents of the Control register in memory before the instruction LDAA PIADRA is executed. What happens if you replace LDAA with STAA? How about TST, CLR, COM, ADD? Remember that writing into the Data register does not clear the status bit. Nor does writing into the Control register. What happens if you replace LDAA PIADRA with STAA PIACRA?

## A Digital-to-Analog Converter

**Purpose:** Send data to an 8-bit digital-to-analog converter, which has an active-low latch enable.

Digital-to-analog converters produce the continuous signals required by motors, solenoids, relays, actuators, and other electrical and mechanical output devices. Typical converters consist of switches and resistor ladders with the appropriate resistance values. Typically, you must provide a reference voltage and some other digital and analog circuitry, although complete units are becoming available at low cost.<sup>5</sup>

Figure 11-22 describes the 8-bit Signetics NE5018 D/A converter, which contains an on-chip 8-bit parallel data input latch. A low level on the  $\overline{LE}$  (Latch Enable) input gates the input data into the latches, where it remains after  $\overline{LE}$  goes high.

Figure 11-23 illustrates the interfacing of the device to a 6800 system. Note that the B side of the PIA automatically produces the active-low strobe required to latch the data into the converter; CB2 acts as an Output Ready signal. Remember that CB2 goes low on the Enable pulse following a write operation on the B side Data register, and remains low until the next Enable pulse (see Table 11-5). The Control register bits are:

- Bit 5 = 1 to make CB2 an output
- Bit 4 = 0 to make CB2 a pulse
- Bit 3 = 1 to make CB2 a brief Output Ready strobe

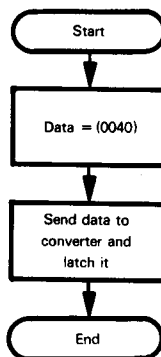
Note that the PIA contains an output latch. The data therefore remains stable during and after the conversion. The converter typically requires only a few microseconds to produce an analog output.

In applications where eight bits of resolution are not enough, 10- to 16-bit converters can be used. Additional port logic is required to pass all the data bits; some converters provide part of this logic.

The PIA serves both as a parallel port and as a serial control port. CB2 is a pulse that lasts one clock cycle after the data is latched into the PIA. This pulse is long enough to meet the requirements (typically 400 ns) of the NE5018 converter.

**Task:** Send data from memory location 0040 to the converter.

**Flowchart:**



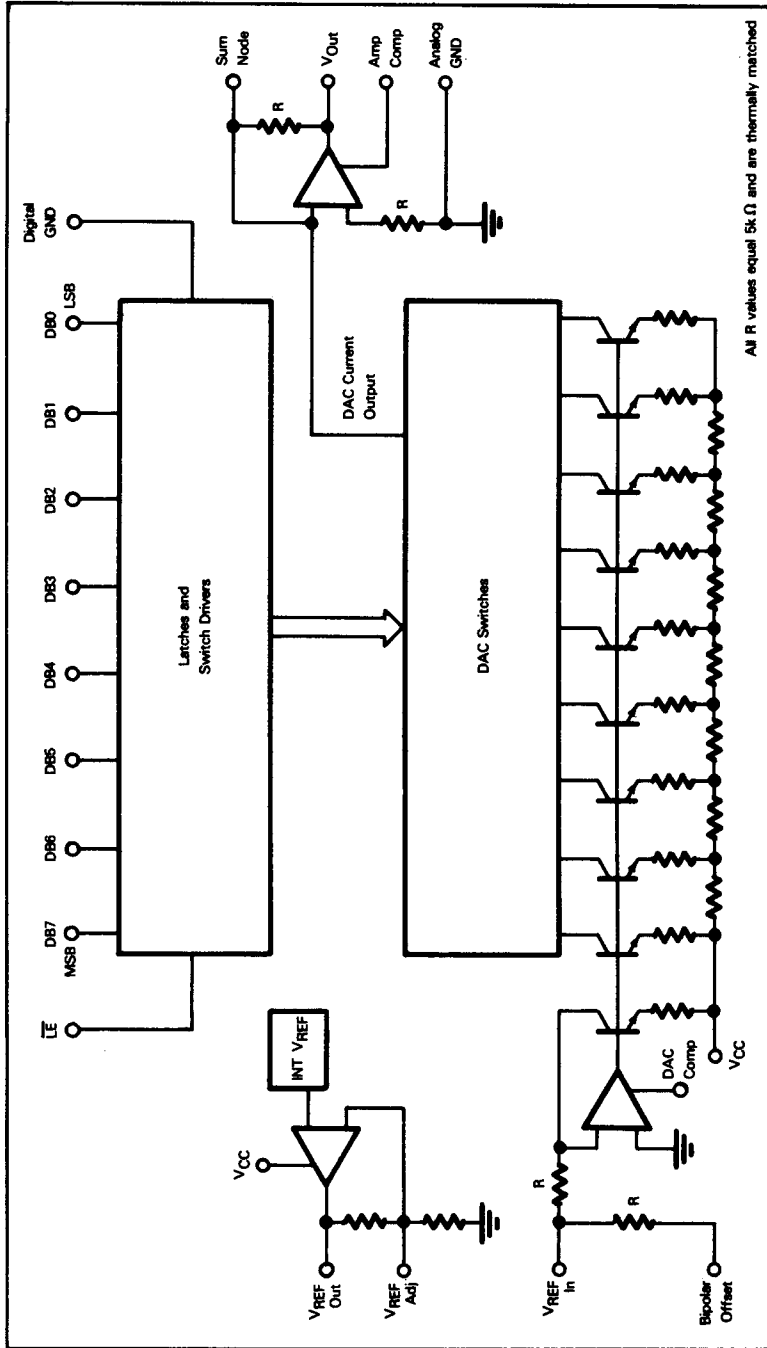


Figure 11-22. Sigmetics NE5018 D/A Converter

11-64 6800 Assembly Language Programming

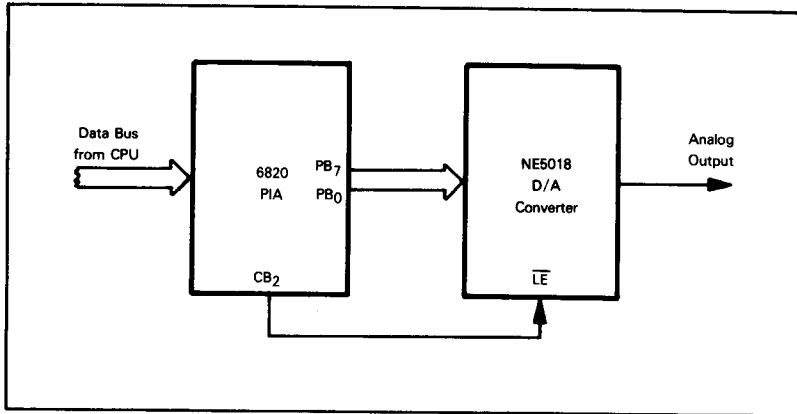


Figure 11-23. Interface for an 8-bit Digital-to-Analog Converter

**Source Program:**

```

CLR    PIACRB    CLEAR OUT CONTROL REGISTER
LDAA   #$FF     MAKE ALL LINES OUTPUTS
STAA   PIADDRB
LDAA   #%00101100 ACCESS DATA REGISTER, MAKE OUTPUT LINE
                A BRIEF STROBE
        STAA    PIACRB
LDAB   $40     GET DATA
STAB   PIADRB  SEND DATA TO DAC AND LATCH
SWI
    
```

**Object Program:**

| Memory Address<br>(Hex) | Memory Contents<br>(Hex) | Instruction<br>(Mnemonic) |
|-------------------------|--------------------------|---------------------------|
| 0000                    | 7F PIACRB                | CLR PIACRB                |
| 0003                    | 86 FF                    | LDAA #\$FF                |
| 0005                    | B7 PIADDRB               | STAA PIADDRB              |
| 0008                    | 86 2C                    | LDAA #%00101100           |
| 000A                    | B7 PIACRB                | STAA PIACRB               |
| 000D                    | D6 40                    | LDAB \$40                 |
| 000F                    | F7 PIADRB                | STAB PIADRB               |
| 0012                    | 3F                       | SWI                       |

We could use the level output from CB2 if the Latch Enable signal were active-high. This pulse would easily meet the length requirements, since it would last for several instruction cycles. The program would then be:

```

CLR    PIACRB    CLEAR OUT CONTROL REGISTER
LDAA  #$FF      MAKE ALL LINES OUTPUTS
STAA  PIADDRB
LDAA  #%00110100 MAKE CB2 A LEVEL
STAA  PIACRB
LDAB  $40       GET DATA
STAB  PIADDRB  SEND DATA TO DAC OUTPUT PORT
LDAA  #%00111100 OPEN DAC LATCH (ENABLE HIGH)
STAA  PIACRB
LDAA  #%00110100 LATCH DATA (ENABLE LOW)
STAA  PIADDRB
SWI

```

An inverter gate could also provide an active-high strobe. Note how many more instructions are necessary to use the level output.

The CB2 pulse from the 6820 device can serve as a "Byte Out" or other control signal, since writing the data into the port activates it. Note, however, that the pulse is a fairly brief strobe since it only lasts one clock cycle.

### Analog-to-Digital Converter

**Purpose:** Fetch data from an 8-bit analog-to-digital converter which requires an Initiate Conversion pulse to start the conversion process and has a Data Valid line to indicate the completion of the process and the availability of valid data.

Analog-to-digital converters handle the continuous signals produced by various types of sensors and transducers. The converter produces the digital output which the computer requires.

One form of an analog-to-digital converter is the successive-approximation device, which makes a direct 1-bit comparison during each clock cycle. Such converters are fast, but have little noise immunity. Dual slope integrating converters are another form of analog-to-digital converter. These devices take longer but are more resistant to noise. Other techniques, such as the incremental charge balancing technique, are also used.

Analog-to-digital converters usually require some external analog and digital circuitry. Complete units are becoming available at low cost.

Figure 11-24 shows the 8-bit Teledyne Semiconductor 8703 A/D converter. The device contains a result latch and three-state data outputs. A pulse on the Initiate Conversion starts conversion of the analog input; after about two milliseconds the result will go to the output latches and the Data Valid output will indicate this by switching first low and then high. Data is read from the latches by applying a '0' to the ENABLE input.

Figure 11-25 shows the interface for the 6800 processor and the 8703 converter.<sup>6</sup> (See also D. Guzman, "Marry Your  $\mu$ P to Monolithic A/Ds", *Electronic Design*, January 18, 1977, pp. 82-86.) CA2 is used to provide the Initiate Conversion pulse (active high). CA1 is used for the Data Valid signal (Data Valid goes from low to high when the conversion has been completed and data is available). Remember that the PIA has no input latch, so either the converter must hold the data or a separate latch will be necessary. The important edge on the Data Valid line is the low-to-high edge, which indicates the completion of the conversion.

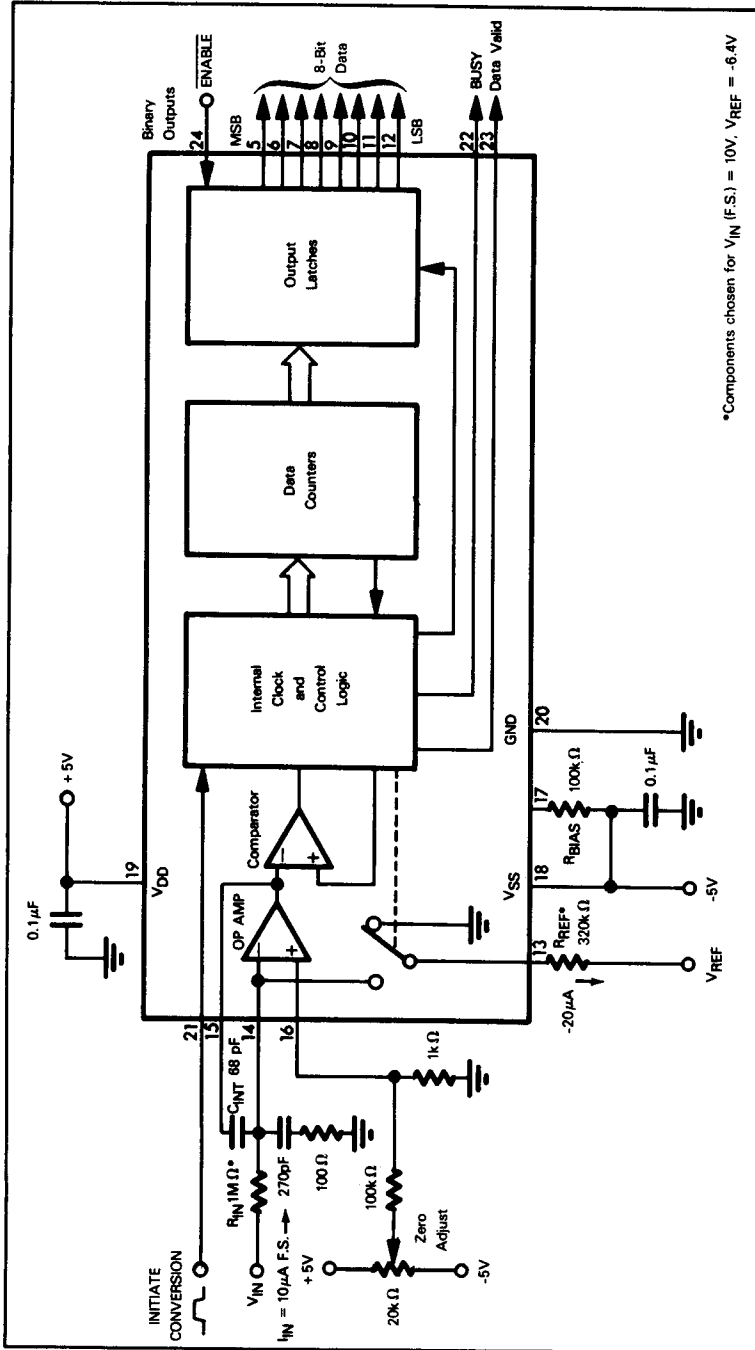


Figure 11-24. Teledyne 8703 A/D Converter

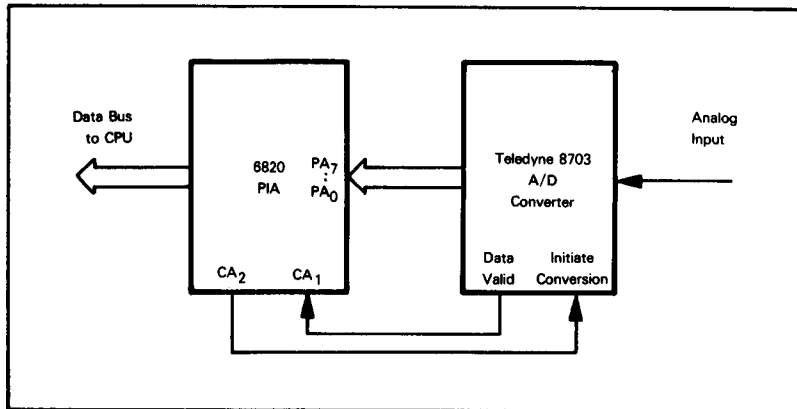
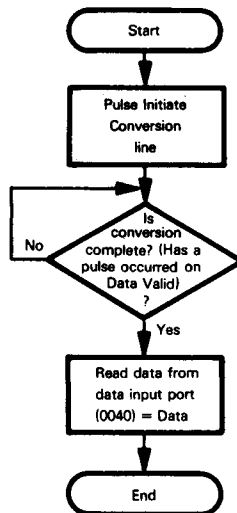


Figure 11-25. Interface for an 8-bit Analog-to-Digital Converter

**Task:** Start the conversion process, wait for Data Valid to go low and then high, and then read the data and store it in memory location 0040.

**Flowchart:**



You should include an initial read of the Data register in the startup routine to clear the status flags originally.

Note that here the PIA serves as a parallel data port, a serial status port, and a serial control port.

**11-68** 6800 Assembly Language Programming

**Source Program:**

```

        CLR    PIACRA    CLEAR OUT CONTROL REGISTER
        CLR    PIADDRA   MAKE DATA LINES INPUTS
        LDAA   #%00110110 INITIATE CONVERSION A LEVEL, DATA VALID
                        ACTIVE LOW-TO-HIGH

        STAA   PIACRA
        LDAB   #%00111110
        STAB   PIACRA    SEND INITIATE CONVERSION HIGH
        STAA   PIACRA    SEND INITIATE CONVERSION LOW
WTBSY  LDAA   PIACRA    IS DATA VALID?
        BPL   WTBSY     NO, WAIT
        LDAA   PIADRA   YES, FETCH DATA FROM CONVERTER
        STAA   $40     SAVE CONVERTER DATA
        SWI
    
```

**Object Program:**

| Memory Address<br>(Hex) | Memory Contents<br>(Hex) | Instruction<br>(Mnemonic) |
|-------------------------|--------------------------|---------------------------|
| 0000                    | 7F PIACRA                | CLR PIACRA                |
| 0003                    | 7F PIADDRA               | CLR PIADDRA               |
| 0006                    | 86 36                    | LDAA #%00110110           |
| 0008                    | B7 PIACRA                | STAA PIACRA               |
| 000B                    | C6 3E                    | LDAB #%00111110           |
| 000D                    | F7 PIACRA                | STAB PIACRA               |
| 0010                    | B7 PIACRA                | STAA PIACRA               |
| 0013                    | B6 PIACRA WTBSY          | LDAA PIACRA               |
| 0016                    | 2A FB                    | BPL WTBSY                 |
| 0018                    | B6 PIADRA                | LDAA PIADRA               |
| 001B                    | 97 40                    | STAA \$40                 |
| 001D                    | 3F                       | SWI                       |

This program would use less memory but more time if the Index register were used to address the PIA. Why would it take more time? Try rewriting the program to use the Index register.

The PIA Control register bits are:

Bit 5 = 1 to make CA2 an output

Bit 4 = 1 to make CA2 a level

Bit 3 = value of level on CA2

Bit 1 = 1 to set bit 7 on a low-to-high transition on the Data Valid line.

Note that Data Valid is high except for about 5 $\mu$ s before the end of the conversion. It returns to a high level when the conversion is completed and new data is available from the latches. A delay routine of appropriate length (longer than the maximum guaranteed conversion time) could replace the examination of the status bit.

## A Teletypewriter (TTY)

**Purpose:** Transfer data to and from a standard 10-character-per-second serial teletypewriter.

**TTY  
INTERFACE**

The common teletypewriter transfers data in an asynchronous serial mode. The procedure is as follows:

- 1) The line is normally in the one state.
- 2) A Start bit (zero bit) precedes each character.
- 3) The character is usually 7-bit ASCII with the least significant bit transmitted first.
- 4) The most significant bit is a Parity bit, which may be even, odd, or fixed at zero or one.
- 5) Two stop bits (logic one) follow each character.

**STANDARD  
TTY  
CHARACTER  
FORMAT**

Figure 11-26 shows the format. Note that each character requires the transmission of eleven bits, of which only seven contain information. Since the data rate is ten characters per second, the bit rate is  $10 \times 11$ , or 110 Baud. Each bit therefore has a width of  $1/110$  of a second, or 9.1 milliseconds. This width is an average; the teletypewriter does not maintain it to any high level of accuracy.

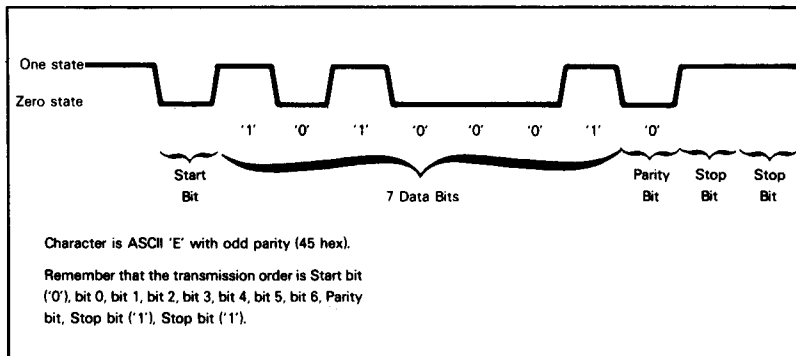


Figure 11-26. Teletypewriter Data Format

For a teletypewriter to communicate properly with a computer, the following procedures are necessary:

Receive (flowcharted in Figure 11-27):

- Step 1) Look for a Start bit (a logic zero) on the data line.
- Step 2) Center the reception by waiting one-half bit time, or 4.55 milliseconds.
- Step 3) Fetch the data bits, waiting one bit time before each one. Assemble the data bits into a word by first shifting the bit to the Carry and then circularly shifting the data with the Carry. Remember that the least significant bit is received first.
- Step 4) Generate the received Parity and check it against the transmitted Parity. If they do not match, indicate a "Parity error".
- Step 5) Fetch the Stop bits (waiting one bit time between inputs). If they are not correct (if both Stop bits are not one), indicate a "framing error".

**TTY  
RECEIVE  
MODE**

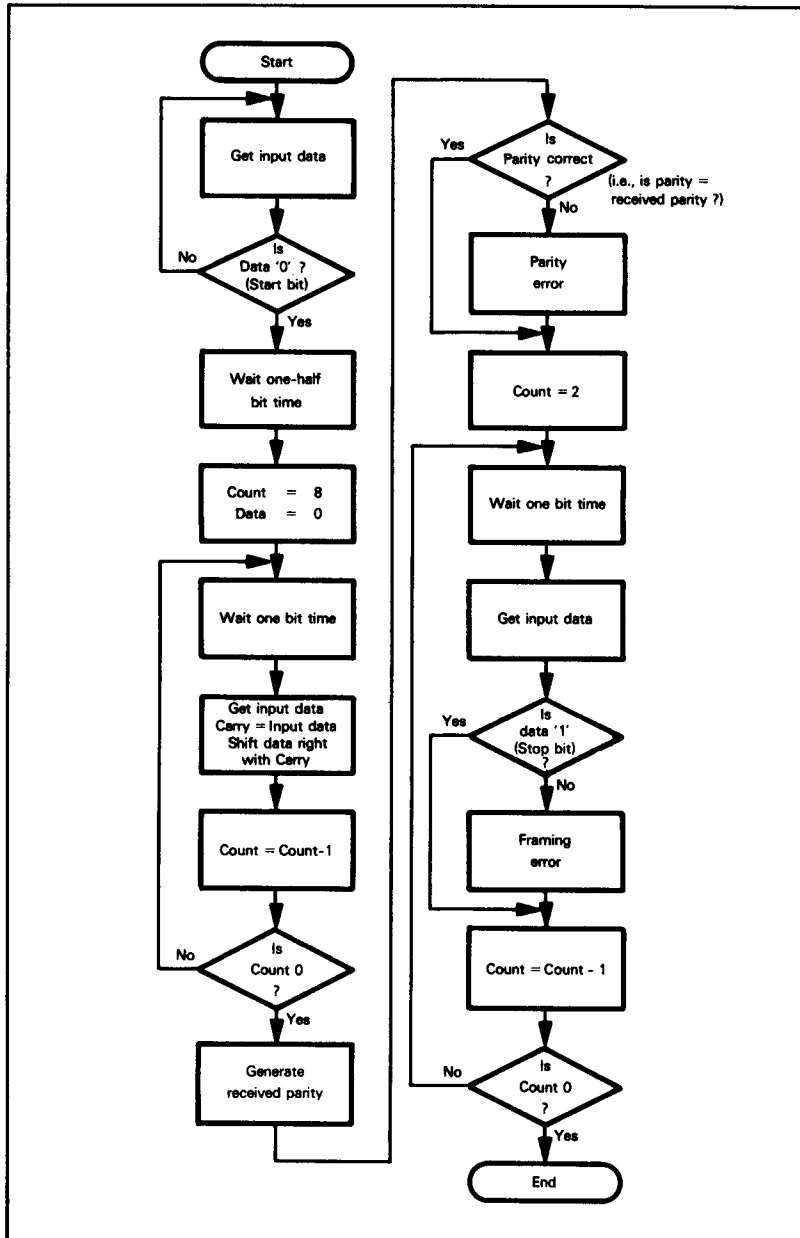


Figure 11-27. Flowchart for Receive Procedure

**Task:** Fetch data from a teletypewriter through bit 7 of a PIA data port and place the data in memory location 0040. For procedure, see Figure 11-27.

**Source Program:**

(Assuming that the serial port is bit 7 of the PIA and that no parity or framing is necessary)



```

CLR    PIACRA    CLEAR OUT CONTROL REGISTER
CLR    PIADDRA   MAKE DATA LINES INPUTS
LDAA   #%00000100 ACCESS DATA REGISTER
STAA   PIACRA
WAITS  LDAA   PIADRA    IS THERE A START BIT?
      BMI    WAITS     NO. WAIT
      JSR   DLY2      YES. DELAY HALF BIT TIME TO CENTER
      LDAA  #%10000000 COUNT WITH BIT IN MSB
TTYRCV JSR   DELAY    WAIT 1 BIT TIME
      ROL   PIADRA    GET DATA BIT
      RORA  ADD TO DATA WORD
      BCC  TTYRCV    CONTINUE IF COUNT BIT NOT IN CARRY
      STAA  $40
      SWI
    
```

(Delay program)

```

DLY2  LDX   #$0238    COUNT FOR 4.55 MS
      BRA   DLY
DELAY LDX   #$0470    COUNT FOR 9.1 MS
DLY   DEX
      BNE  DLY
      RTS
    
```

Remember that bit 0 of the data is received first.

**Object Program:**

| Memory Address (Hex) | Memory Contents (Hex) | Instruction (Mnemonic) |
|----------------------|-----------------------|------------------------|
| 0000                 | 7F PIACRA             | CLR PIACRA             |
| 0003                 | 7F PIADDRA            | CLR PIADDRA            |
| 0006                 | 86 04 LDAA            | LDAA #%00000100        |
| 0008                 | B7 PIACRA             | STAA PIACRA            |
| 000B                 | B6 PIADRA             | LDAA PIADRA            |
| 000E                 | 2B FB                 | BMI WAITS              |
| 0010                 | BD 0030               | JSR DLY2               |
| 0013                 | 86 80 LDAA            | LDAA #%10000000        |
| 0015                 | BD 0035               | JSR DELAY              |
| 0018                 | 79 PIADRA             | ROL PIADRA             |
| 001B                 | 46                    | RORA                   |
| 001C                 | 24 F7                 | BCC TTYRCV             |
| 001E                 | 97 40                 | STAA \$40              |
| 0020                 | 3F                    | SWI                    |
| 0030                 | CE 0238               | DLY2 LDX #\$0238       |
| 0033                 | 20 03                 | BRA DLY                |
| 0035                 | CE 0470               | DELAY LDX #\$0470      |
| 0038                 | 09                    | DLY DEX                |
| 0039                 | 26 FD                 | BNE DLY                |
| 003B                 | 39                    | RTS                    |

## 11-72 6800 Assembly Language Programming

This program assumes that the Stack can be used for subroutine calls; either the monitor must initialize the Stack Pointer or you will have to initialize the Stack Pointer as shown in Chapter 10.

The constants for the delay routine were calculated just as shown earlier in this chapter. You might try determining them for yourself. The delays do not have to be highly accurate because the reception is centered, the messages are short, the bit rate is low, and the teletypewriter is not highly accurate itself.

How would you extend this program to check for the two Stop bits? They must both be one, or a framing error has occurred.

How would you extend this program to check parity? Hint: clear Accumulator B to start and Exclusive OR the received data with the contents of B after each bit time.

Transmit (flowcharted in Figure 11-28)

**TTY  
TRANSMIT  
MODE**

- Step 1) Transmit a Start bit (i.e., a logic zero).
- Step 2) Transmit the seven data bits, starting with the least significant bit.
- Step 3) Generate and transmit the Parity bit.
- Step 4) Transmit two Stop bits (i.e., logic ones).

The transmission routine must wait one bit time between each operation.

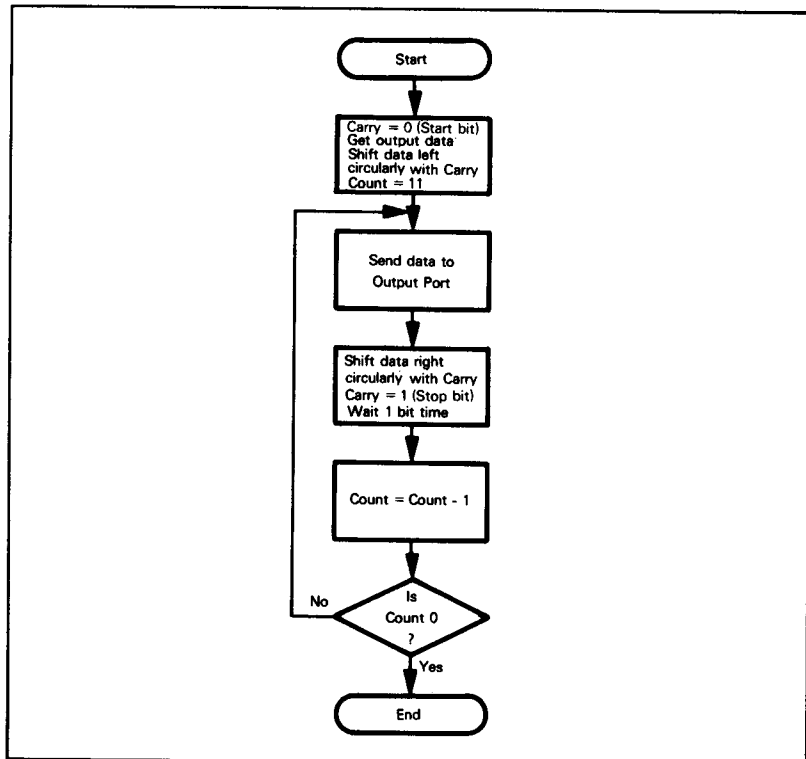


Figure 11-28. Flowchart for Transmit Procedure

**Task:** Transmit data to a teletypewriter through bit 0 of a PIA data port (see procedure in Figure 11-28). The data is in memory location 0040.

**Source Program:**

(Assuming that parity need not be generated)

|                            |
|----------------------------|
| TTY<br>TRANSMIT<br>PROGRAM |
|----------------------------|

```

CLR    PIACRA    CLEAR OUT CONTROL REGISTER
LDAA  #$FF      MAKE DATA LINES OUTPUTS
STAA  PIADDR    ACCESS DATA REGISTER
LDAA  #%00000100
STAA  PIACRA
LDAA  $40       GET DATA
LDAB  #11       11 BITS IN CHARACTER
CLR    PIADRA   SEND START BIT
TTYTX JSR    DELAY WAIT 1 BIT TIME
SEC                                STOP BIT = 1
RORA                                GET NEXT BIT OF CHARACTER
ROL    PIADRA   SEND TO TTY
DECB
BNE    TTYTX
SWI

```

The DELAY subroutine is the same as before. Remember that bit 0 of the data must be transmitted first.

**Object Program:**

| Memory Address<br>(Hex) | Memory Contents<br>(Hex) | Instruction<br>(Mnemonic) |
|-------------------------|--------------------------|---------------------------|
| 0000                    | 7F PIACRA                | CLR PIACRA                |
| 0003                    | 86 FF                    | LDAA #\$FF                |
| 0005                    | B7 PIADDR                | STAA PIADDR               |
| 0008                    | 86 04                    | LDAA #%00000100           |
| 000B                    | B7 PIACRA                | STAA PIACRA               |
| 000D                    | 96 40                    | LDAA \$40                 |
| 000F                    | C6 0B                    | LDAB #11                  |
| 0011                    | 7F PIADRA                | CLR PIADRA                |
| 0014                    | BD 0030 TTYTX            | JSR DELAY                 |
| 0017                    | 0D                       | SEC                       |
| 0018                    | 46                       | RORA                      |
| 0019                    | 79 PIADRA                | ROL PIADRA                |
| 001C                    | 5A                       | DECB                      |
| 001D                    | 26 F5                    | BNE TTYTX                 |
| 001F                    | 3F                       | SWI                       |

CLR PIADRA clears all the bits in the Data register and hence generates a Start bit. In actual applications, you will find it necessary to place a one on the teletypewriter line after configuration, since that line should be in the one state when no data are being transmitted.

Each character consists of 11 bits, starting with a Start bit (zero) and ending with two Stop bits (ones).

## 11-74 6800 Assembly Language Programming

How would you extend this program to generate parity? Hint: add all the bits together in the least significant position:

```
          CLRA          PARITY = ZERO
          LDAB  $40      GET DATA
CPAR     ABA           ADD NEXT BIT TO PARITY
          LSRB
          BNE   CPAR
```

Why does this procedure work? Try it on some examples. This program generates even parity. How would you generate odd parity?

These procedures are sufficiently common and complex to merit a special LSI device: the UART,<sup>7</sup> or Universal Asynchronous Receiver/Transmitter.

**UART**

The UART will perform the reception procedure and provide the data in parallel form and a Data Ready signal. It will also accept data in parallel form, perform the transmission procedure, and provide a Peripheral Ready signal when it can handle more data. UARTs may have many other features, including:

- 1) Ability to handle various bit lengths (usually 5 to 8), parity options, and numbers of Stop bits (usually 1, 1-1/2, and 2).
- 2) Indicators for framing errors, parity errors, and "overrun errors" (failure to read a character before another one is received).
- 3) RS-232<sup>B</sup> compatibility; i.e., a Request-to-Send (RTS) output signal that indicates the presence of data to communications equipment and a Clear-to-Send (CTS) input signal that indicates, in response to RTS, the readiness of the communications equipment. There may be provisions for other RS-232 signals, such as Received Signal Quality, Data Set Ready, or Data Terminal Ready.
- 4) Tristate outputs and control compatibility with a microprocessor.
- 5) Clock options that allow the UART to sample incoming data several times in order to detect false Start bits and other errors.
- 6) Interrupt facilities and controls.

UARTs act as four parallel ports: an input data port, an output data port, an input status port, and an output control port. The status bits include error indicators as well as Ready flags. The control bits select various options. UARTs are inexpensive (\$5 to \$50, depending on features) and easy to use.

## THE 6850 ASYNCHRONOUS COMMUNICATIONS INTERFACE ADAPTER (ACIA)

The 6850 ACIA, or Asynchronous Communications Interface Adapter (see Figure 11-29), is a UART specifically designed for use in 6800-based microcomputers. It occupies two memory addresses and contains two read-only registers (received data and status) and two write-only registers (transmitted data and control). Tables 11-11 and 11-12 describe the contents of these registers.

**ACIA  
REGISTERS**

Note the following special features of the ACIA:

**SPECIAL  
FEATURES  
OF ACIA**

- 1) Read and write cycles address physically distinct registers. Therefore, you cannot use the ACIA registers as addresses for instructions like Increment, Decrement, or Shift, which involve both read and write cycles.
- 2) The ACIA Control register cannot be read by the CPU. You will have to save a copy of the Control register in memory if the program needs its value.
- 3) The ACIA has no Reset input. It can be reset only by placing ones in Control register bits 0 and 1. This procedure (called MASTER RESET) is necessary before the ACIA is used, in order to avoid having a random starting character.
- 4) The RS-232 signals are all active-low. Request-to-Send (RTS), in particular, should be brought high to make it inactive if it is not in use.
- 5) The ACIA requires an external clock. Typically 1760 Hz is supplied and the  $\div 16$  mode (Control register bit 1 = 0, bit 0 = 1) is used. The ACIA will use the clock to center the reception in order to avoid false Start bits caused by noise on the lines.
- 6) The Data Ready (receive data register full, or RDRF) flag is bit 0 of the Status register. The Peripheral Ready (transmit data register empty, or TDRE) flag is bit 1 of the Status register.

**Task:** Receive data from a teletypewriter through an ACIA and place the data in memory location 0040.

### Source Program:

```

LDAA    #%0000011    MASTER RESET ACIA
STAA    ACIACR
LDAA    #%01000101   CONFIGURE ACIA FOR TTY WITH ODD PARITY
STAA    ACIACR
WAITD   LDAA    ACIASR    GET ACIA STATUS
        LSRA    HAS DATA BEEN RECEIVED?
        BCC    WAITD     NO, WAIT
        LDAA    ACIADR    FETCH DATA
        STAA    $40      AND SAVE IT
        SWI

```

Table 11-11. Definition of ACIA Register Contents

| Data Bus Line Number | Buffer Address                   |                                 |                                                        |                                          |
|----------------------|----------------------------------|---------------------------------|--------------------------------------------------------|------------------------------------------|
|                      | RS·R/W<br>Transmit Data Register | RS·R/W<br>Receive Data Register | $\overline{RS}$ · $\overline{R/W}$<br>Control Register | $\overline{RS}$ ·R/W<br>Status Register  |
|                      | (Write Only)                     | (Read Only)                     | (Write Only)                                           | (Read Only)                              |
| 0                    | Data Bit 0*                      | Data Bit 0                      | Counter Divide Select 1 (CR0)                          | Receive Data Register Full (RDRF)        |
| 1                    | Data Bit 1                       | Data Bit 1                      | Counter Divide Select 2 (CR1)                          | Transmit Data Register Empty (TDRE)      |
| 2                    | Data Bit 2                       | Data Bit 2                      | Word Select 1 (CR2)                                    | Data Carrier Detect ( $\overline{DCD}$ ) |
| 3                    | Data Bit 3                       | Data Bit 3                      | Word Select 2 (CR3)                                    | Clear-to-Send (CTS)                      |
| 4                    | Data Bit 4                       | Data Bit 4                      | Word Select 3 (CR4)                                    | Framing Error (FE)                       |
| 5                    | Data Bit 5                       | Data Bit 5                      | Transmit Control 1 (CR5)                               | Receiver Overrun (OVRN)                  |
| 6                    | Data Bit 6                       | Data Bit 6                      | Transmit Control 2 (CR6)                               | Parity Error (PE)                        |
| 7                    | Data Bit 7***                    | Data Bit 7**                    | Receive Interrupt Enable (CR7)                         | Interrupt Request (IRQ)                  |

\* Leading bit = LSB = Bit 0  
 \*\* Data bit will be zero in 7-bit plus parity modes  
 \*\*\* Data bit is "don't care" in 7-bit plus parity modes

**Object Program:**

| Memory Address (Hex) | Memory Contents (Hex) | Instruction (Mnemonic) |
|----------------------|-----------------------|------------------------|
| 0000                 | 86 03                 | LDAA #00000011         |
| 0002                 | B7 ACIACR             | STAA ACIACR            |
| 0005                 | 86 45                 | LDAA #01000101         |
| 0007                 | B7 ACIACR             | STAA ACIACR            |
| 000A                 | B6 ACIASR             | LDAA ACIASR            |
| 000D                 | 44                    | LSRA                   |
| 000E                 | 24 FA                 | BCC WAITD              |
| 0010                 | B6 ACIADR             | LDAA ACIADR            |
| 0013                 | 97 40                 | STAA \$40              |
| 0015                 | 3F                    | SWI                    |

Table 11-12. Meaning of the ACIA Control Register Bits

| CR6 | CR5 | Function                                                                                                            |
|-----|-----|---------------------------------------------------------------------------------------------------------------------|
| 0   | 0   | $\overline{\text{RTS}}$ = low, Transmitting Interrupt Disabled                                                      |
| 0   | 1   | $\overline{\text{RTS}}$ = low, Transmitting Interrupt Enabled                                                       |
| 1   | 0   | $\overline{\text{RTS}}$ = high, Transmitting Interrupt Disabled                                                     |
| 1   | 1   | $\overline{\text{RTS}}$ = low, Transmits a Break level on the Transmit Data Output. Transmitting Interrupt Disabled |

| CR4 | CR3 | CR2 | Function                           |
|-----|-----|-----|------------------------------------|
| 0   | 0   | 0   | 7 Bits + Even Parity + 2 Stop Bits |
| 0   | 0   | 1   | 7 Bits + Odd Parity + 2 Stop Bits  |
| 0   | 1   | 0   | 7 Bits + Even Parity + 1 Stop Bit  |
| 0   | 1   | 1   | 7 Bits + Odd Parity + 1 Stop Bit   |
| 1   | 0   | 0   | 8 Bits + 2 Stop Bits               |
| 1   | 0   | 1   | 8 Bits + 1 Stop Bit                |
| 1   | 1   | 0   | 8 Bits + Even Parity + 1 Stop Bit  |
| 1   | 1   | 1   | 8 Bits + Odd Parity + 1 Stop Bit   |

| CR1 | CR0 | Function     |
|-----|-----|--------------|
| 0   | 0   | $\div 1$     |
| 0   | 1   | $\div 16$    |
| 1   | 0   | $\div 64$    |
| 1   | 1   | Master Reset |

The program must reset the ACIA originally by placing ones in Control register bits 0 and 1. The ACIA does have an internal power-on reset which holds the ACIA in the reset state until Master Reset is applied.

The program configures the ACIA control register as follows:

- Bit 7 = 0 to disable the receiver interrupt
- Bit 6 = 1 to make Request-to-Send ( $\overline{\text{RTS}}$ ) high (inactive)
- Bit 5 = 0 to disable the transmitter interrupt
- Bit 4 = 0 for 7-bit words
- Bit 3 = 0, Bit 2 = 1 for odd parity with 2 Stop bits
- Bit 1 = 0, Bit 0 = 1 for  $\div 16$  clock (1760 Hz must be supplied)

**EXAMPLE  
OF ACIA  
CONFIGURATION**

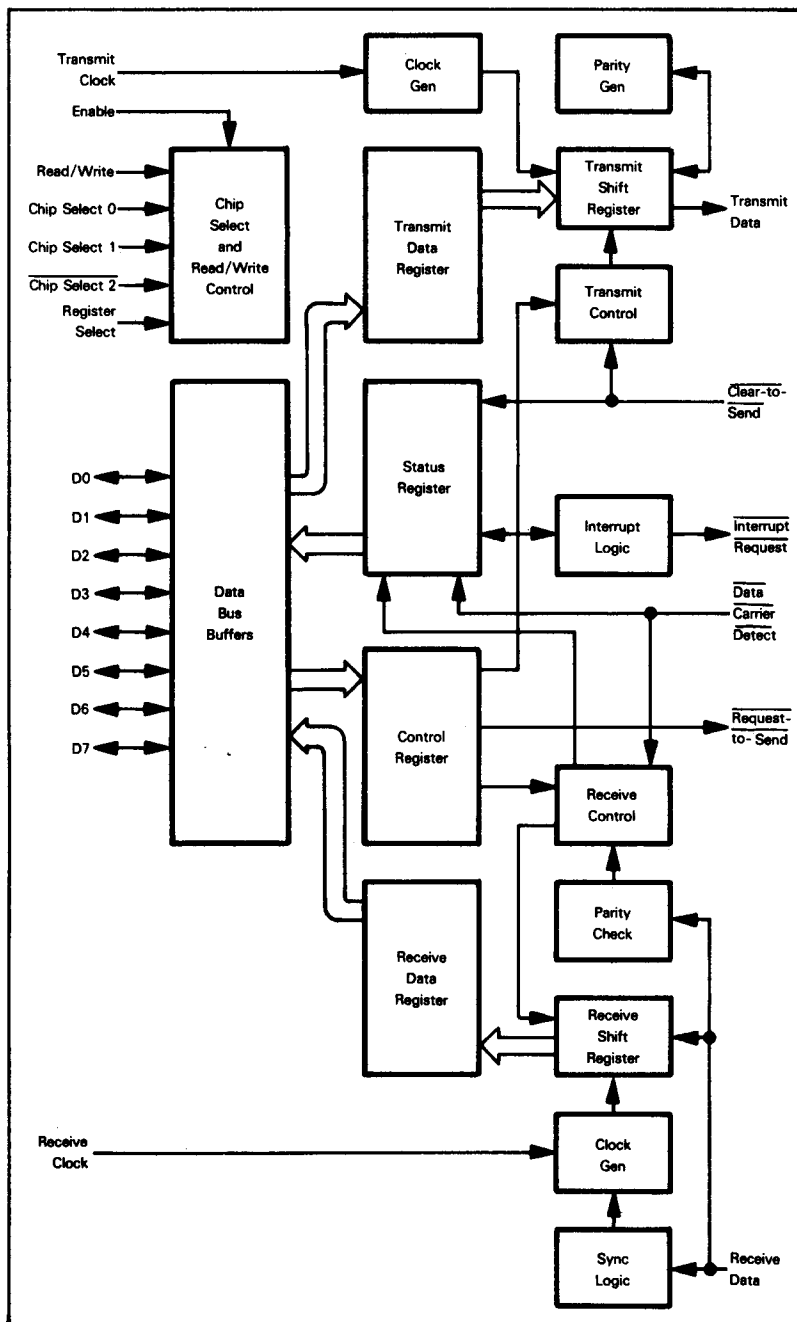


Figure 11-29. Block Diagram of the 6850 ACIA (Courtesy of Motorola)

The received data status bit is Status register bit 0. What would happen if we tried to replace

```
LDAA ACIADR
LSRA
```

with the single instruction

```
LSR ACIADR?
```

Remember that the Status and Control registers share an address but are physically distinct.

Try adding an error checking routine to the program. Set

```
(0041) = 0 if no errors occurred
        = 1 if a parity error occurred
          (Status register bit 6 = 1)
        = 2 if an overrun error occurred
          (Status register bit 5 = 1)
        = 3 if a framing error occurred
          (Status register bit 4 = 1)
```

The Index register can be used to help address an ACIA. If the Control and Status register address is loaded into the Index register, the data registers can be referred to with an offset of 1. The changes are:

|                               |
|-------------------------------|
| <b>ADDRESSING<br/>AN ACIA</b> |
|-------------------------------|

| Old  |        | New<br>(X)=ACIADR |     |
|------|--------|-------------------|-----|
| STAA | ACIADR | STAA              | X   |
| LDAA | ACIADR | LDAA              | X   |
| LDAA | ACIADR | LDAA              | 1,X |

**Task:** Send data from memory location 0040 to a teletypewriter through an ACIA.

**Source Program:**

```
LDAA #%00000011  MASTER RESET ACIA
STAA ACIADR
LDAA #%01000101  CONFIGURE ACIA FOR TTY
                  WITH ODD PARITY
.
STAA ACIADR
LDAA #%00000010
WAITR BITA ACIADR  IS ACIA READY?
      BEQ WAITR    NO. WAIT
      LDAA $40     YES. GET DATA
      STAA ACIADR  AND TRANSMIT IT
      SWI
```

**Object Program:**

| Memory Address<br>(Hex) | Memory Contents<br>(Hex) | Instruction<br>(Mnemonic) |
|-------------------------|--------------------------|---------------------------|
| 0000                    | 86 03                    | LDAA #00000011            |
| 0002                    | B7 ACIACR                | STAA ACIACR               |
| 0005                    | 86 45                    | LDAA #01000101            |
| 0007                    | B7 ACIACR                | STAA ACIACR               |
| 000A                    | 86 02                    | LDAA #00000010            |
| 000C                    | B5 ACIASR WAITR          | BITA ACIASR               |
| 000F                    | 27 FB                    | BEQ WAITR                 |
| 0011                    | 96 40                    | LDAA \$40                 |
| 0013                    | B7 ACIADR                | STAA ACIADR               |
| 0016                    | 3F                       | SWI                       |

The transmitter status bit is Status register bit 1. How could you modify the receive program to use the Bit Test instruction?

**STANDARD INTERFACES**

Other standard interfaces besides the TTY current-loop and RS-232 can also be used to connect peripherals to the microcomputer. Popular ones include:

**STANDARD INTERFACES**

- 1) The serial RS449, RS422, and RS423 interfaces.<sup>9</sup>
- 2) The 8-bit parallel General Purpose Interface Bus, also known as IEEE-488 or Hewlett-Packard Interface Bus (HPIB).<sup>10</sup>
- 3) The S-100 or Altair/Imsai hobbyist bus.<sup>11</sup> This is also an 8-bit bus.
- 4) The Intel Multibus.<sup>12</sup> This is another 8-bit bus that can, however, be expanded to handle 16 bits in parallel.

**PROBLEMS****1) Separating Closures from an Unencoded Keyboard**

**Purpose:** The program should read entries from an unencoded 3 x 3 keyboard and place them in an array. The number of entries required is in memory location 0040 and the array starts in memory location 0041.

Separate one closure from the next by waiting for the current closure to end. Remember to debounce the keyboard (this can simply be a 1 ms wait).

**Sample Problem:**

```
(0040) = 04
Entries are 7, 2, 2, 4
Result: (0041) = 07
        (0042) = 02
        (0043) = 02
        (0044) = 04
```

## 2) Read a Sentence from an Encoded Keyboard

**Purpose:** The program should read entries from an ASCII keyboard (7 bits with a zero Parity bit) and place them in an array until it receives an ASCII period (hex 2E). The array starts in memory location 0040. Each entry is marked by a strobe as in the example given under An Encoded Keyboard.

### Sample Problem:

Entries are H, E, L, L, O, .

Result: (0040) = 48 H  
 (0041) = 45 E  
 (0042) = 4C L  
 (0043) = 4C L  
 (0044) = 4F O  
 (0045) = 2E .

## 3) A Variable Amplitude Square Wave Generator

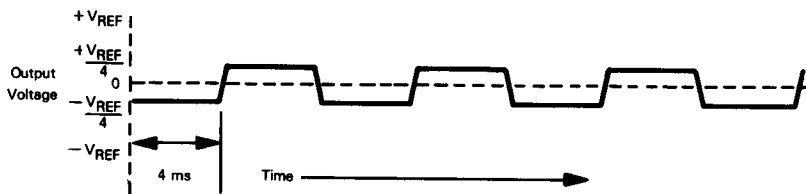
**Purpose:** The program should generate a square wave, as shown in the next figure, using a D/A converter. Memory location 0040 contains the scaled amplitude of the wave, memory location 0041 the length of a half cycle in milliseconds, and memory location 0042 the number of cycles.

Assume that a digital output of  $80_{16}$  to the converter results in an analog output of zero volts. In general, a digital output of  $D$  results in an analog output of  $V_{OUT} = -V_{REF}(D-80)/80$  volts.

### Sample Problem:

(0040) = A0 (hex)  
 (0041) = 04  
 (0042) = 03

Result:



The base voltage is  $80_{16} = 0$  volts. Full scale is  $100_{16} = -V_{REF}$  volts. So  $A0_{16} = (A0-80)/80 \times -V_{REF} = -V_{REF}/4$

The program produces 3 pulses of amplitude  $V_{REF}/4$  with a half cycle length of 4 ms.

#### 4) Averaging Analog Readings

**Purpose:** The program should take four readings from an A/D converter 10 milliseconds apart and place the average in memory location 0040. Assume that the A/D converter takes less than 100 microseconds to convert, so that the conversion time can be ignored.

**Sample Problem:**

Readings are (hex) 86, 89, 81, 84  
Result: (0040) = 85

#### 5) A 30 Character-per-Second Terminal

**Purpose:** Modify the transmit and receive routines of the example given under A Teletypewriter to handle a 30 cps terminal that transfers ASCII data with one stop bit and even parity. How could you write the routines to handle either terminal depending on a flag bit in memory location 0040; e.g., (0040) = 0 for the 30 cps terminal, (0040) = 1 for the 10 cps terminal?

## REFERENCES

- <sup>1</sup> Barnes, J., and V. Gregory, "Use Microprocessors to Enhance Performance with Noisy Data", EDN, August 20, 1976, pp. 71-72.
- <sup>2</sup> Swanson, R., "Understanding Cyclic Redundancy Codes", Computer Design, November 1975, pp. 93-99.
- <sup>3</sup> For the use of a bit-rate generator, see G. Nash, "Microprocessor Software Programs Bit-Rate Generator", EDN, August 20, 1977, pp. 134-137.
- <sup>4</sup> J. Gilmore and R. Huntington, "Designing with the 6820 Peripheral Interface Adapter", Electronics, December 23, 1976, pp. 85-86.
- <sup>5</sup> See, for example, A. Mrozowski, "Analog Output Chips Shrink A/D Conversion Software", Electronics, June 23, 1977, pp. 130-133.
- <sup>6</sup> For more complete descriptions of the use of A/D converters with the 6800 processor, see:
  - D. Aldridge, "Analog-to-Digital Conversion Techniques with the M6800 Microprocessor System", Motorola Semiconductor Products Application Note AN-757, Motorola, Inc., Phoenix, AZ., 1975.
  - D. Fullagar et al., "Interfacing Data Converters and Microprocessors", Electronics, December 9, 1976, pp. 81-89.
  - S. Kelly, "Low-Cost Data Acquisition Systems", Electronic Design, November 22, 1976, pp. 152-157.
- <sup>7</sup> For a discussion of UARTs, see P. Rony et al., "The Bugbook IIa", E and L Instruments, Inc., 61 First Street, Derby, CT 06418; or D.G. Larsen et al., "INWAS: Interfacing with Asynchronous Serial Mode", IEEE Transactions on Industrial Electronics and Control Instrumentation, February 1977, pp. 2-12.
- <sup>8</sup> You can find introductory descriptions of RS-232 in F.W. Etcheverry, "Binary Serial Interfaces", EDN, April 20, 1976, pp. 40-43; and in G. Pickles, "Who's Afraid of RS-232?", Kilobaud, May 1977, pp. 50-54.
- <sup>9</sup> D. Morris, "Revised Data Interface Standards", Electronic Design, September 1, 1977, pp. 138-141.
- <sup>10</sup> J.B. Peatman, Microcomputer-Based Design, McGraw-Hill, New York, 1977.
  - S.C. Baunach, "An Example of an M6800-based GP1B Interface", EDN, September 20, 1977, pp. 125-128.
  - A more detailed version of this article, complete with program listing and schematics, is available from Tektronix, Inc., Box 500, Beaverton, OR 97077.
- <sup>11</sup> D. Denney and J. Broom, "Why Not a Standard 100-Wire Bus Structure?", Computer, October 1976, pp. 57-58.
  - M.L. Smith, "Build Your Own Interface", Kilobaud, June 1977, pp. 22-28.
- <sup>12</sup> T. Rolander, "Intel Multibus Interfacing", Intel Application Note Ap-28, Intel Corporation, Santa Clara, CA, 1977.



# Chapter 12

## INTERRUPTS

Interrupts are serial inputs that the CPU examines as part of each instruction cycle. These inputs allow the CPU to react to events at the hardware level rather than at the software level through checking status bits (polling). Interrupts generally require more hardware than ordinary (programmed) I/O, but provide a faster and more direct response. You may want to review the discussion of interrupts in Volume 1 of An Introduction to Microcomputers.

Why use interrupts? Interrupts allow events such as alarms, power failure, the passage of a certain amount of time, and peripherals having data or being ready to accept data to get the immediate attention of the CPU. The programmer does not need to have the CPU check status bits with sequences involving conditional Branch instructions. Nor need the programmer worry about missing events. An interrupt system is like the bell on a telephone -- it rings when a call is received so that you don't have to pick up the receiver occasionally to see if someone is on the line. The CPU can go about its normal business (and get a lot more done). When something happens, the interrupt rouses the CPU and forces it to service the input before resuming normal operations. Of course, this simple description becomes more complicated (just like a telephone switchboard) when there are many interrupts of varying importance and tasks which cannot be interrupted.

**REASONING  
BEHIND  
INTERRUPTS**

The implementation of interrupt systems varies greatly. Among the questions that must be answered to characterize a particular system are:

- 1) How many interrupt inputs are there?
- 2) How does the CPU respond to an interrupt?
- 3) How does the CPU determine the source of an interrupt if the number of sources exceeds the number of inputs?
- 4) Can the CPU differentiate between important and unimportant interrupts?
- 5) How and when is the interrupt system enabled and disabled?

**CHARACTERISTICS  
OF INTERRUPT  
SYSTEMS**

There are many different answers to these questions. The aim of all the implementations, however, is to have the CPU respond rapidly to interrupts and resume normal activity afterwards.

The number of interrupt inputs on the CPU chip determines the number of different responses that the CPU can produce without any additional hardware or software. Each input can produce a different internal response. Unfortunately, most microprocessors have a very small number (one or two, typically) of separate interrupt inputs.

The ultimate response of the CPU to an interrupt must be to transfer control to the correct interrupt service routine and to save the current value of the Program Counter. The CPU must therefore execute a Jump-to-Subroutine or Call instruction with the beginning of the interrupt service routine as its address. This action will save the return address in the Stack and transfer control to the interrupt service routine. The amount of

external hardware required to produce this response varies greatly. Some CPUs internally generate the instruction and the address; others require external hardware to form them. The CPU can only generate a different instruction or address for each separate input.

If the number of interrupting devices exceeds the number of inputs, the CPU will need extra hardware or software to identify the source of the interrupt. In the simplest case, the software can be a polling routine which checks the status of the devices that may be interrupting. The only advantage of such a system over normal polling is that the CPU knows that at least one device is active. The alternative solution is for additional hardware to provide a unique data input (or "vector") for each source. The two alternatives can be mixed; the vectors can identify groups of inputs from which the CPU can identify a particular one by polling.

**POLLING  
VECTORING**

An interrupt system which can differentiate between important and unimportant interrupts is called a "priority interrupt system". Internal hardware can provide as many priority levels as there are inputs. External hardware can provide additional levels through the use of a Priority register and comparator. The external hardware does not allow the interrupt to reach the CPU unless its priority is higher than the contents of the Priority register. A priority interrupt system may need a special way to handle low-priority interrupts that may be ignored for long periods of time.

**PRIORITY**

Most interrupt systems can be enabled or disabled. In fact, most CPUs automatically disable interrupts when a RESET is performed (so that the programmer can configure the interrupt system) and on accepting an interrupt (so that the interrupt will not interrupt its own service routine). The programmer may wish to disable interrupts while preparing or processing data, performing a timing loop, or executing a multi-byte operation.

**ENABLING  
AND  
DISABLING  
INTERRUPTS**

An interrupt which cannot be disabled (sometimes called a "non-maskable interrupt") may be useful to warn of power failure, an event that obviously must take precedence over all other activities.

**NON-MASKABLE  
INTERRUPT**

The advantages of interrupts are obvious, but there are also disadvantages. These include:

**DISADVANTAGES  
OF INTERRUPTS**

- 1) Interrupt systems may require a large amount of extra hardware.
- 2) Interrupts still require data transfers under program control through the CPU. There is no speed advantage as there is with DMA.
- 3) Interrupts are random inputs which make debugging and testing difficult. Errors may occur sporadically, and therefore may be very hard to find (for a discussion of designing with interrupts, see Baldrige, R.L., "Interrupts Add Power, Complexity to  $\mu$ C-System Design", EDN, August 5, 1977, pp. 67-73).
- 4) Interrupts may involve a large amount of overhead if many registers must be saved and the source must be determined by polling.

### 6800 INTERRUPT SYSTEM

The 6800's internal response to an interrupt is moderately complex. The interrupt system consists of:

- 1) An active-low maskable interrupt ( $\overline{IRQ}$ ) and an active-low non-maskable interrupt (NMI).
- 2) An interrupt disable bit I (1 to disable the maskable interrupt), which is bit 4 of the Condition Code register.

**6800  
INTERRUPT  
INPUTS**

The 6800 checks the current status of the interrupt system at the end of each instruction cycle (see Figure 12-1 for a state diagram). If the interrupt is active and enabled, the response is as follows:

- 1) The CPU disables the maskable interrupt ( $\overline{\text{IRQ}}$ ); i.e., it sets bit 4 (I) of the Condition Code register.
- 2) The CPU saves the contents of its user registers in the Stack. Figure 12-2 shows the order in which the registers are saved.
- 3) The CPU fetches an address from a specified pair of memory addresses and puts that address in the Program Counter. Table 12-1 contains the pairs of addresses assigned to the various inputs and the Software Interrupt instruction.

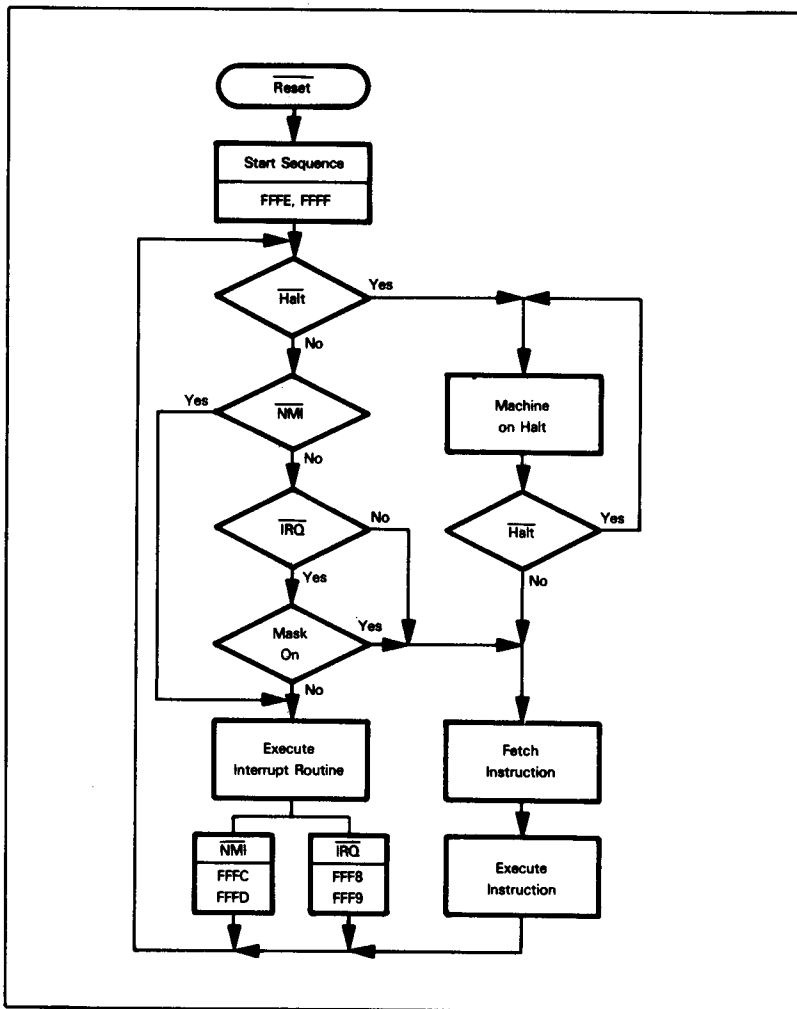


Figure 12-1. 6800 State Transition Flowchart (Courtesy of Motorola)

## 12-4 6800 Assembly Language Programming

Note the following special features of the 6800 interrupt system:

- 1) The 6800 automatically saves all of its user registers in the Stack, including both Accumulators, the Index register, the Condition Code register, and the Program Counter. Remember that the Condition Code register includes the Interrupt (Disable) bit.
- 2) The 6800 provides no external signals to indicate that it has accepted an interrupt, other than the address that it places on the Address Bus.
- 3) The 6800 has no special internal provisions for determining the source of an interrupt when there are several sources tied to the same input.

**SPECIAL  
FEATURES  
OF 6800  
INTERRUPT  
SYSTEM**

The 6800 has the following special instructions to manipulate its interrupt system:

- 1) CLI (Clear Interrupt Mask) clears bit 4 of the Condition Code register and thus enables the maskable interrupt.
- 2) SEI (Set Interrupt Mask) sets bit 4 of the Condition Code register and thus disables the maskable interrupt.
- 3) SWI (Software Interrupt) disables the maskable interrupt, saves all the user registers in the Stack, and places the contents of addresses FFFA and FFFB in the Program Counter.
- 4) RTI (Return-from-Interrupt) restores all the user registers from the Stack. The result is that the old values are returned to the Program Counter, Accumulators, Index register, and Condition Code register (including the Interrupt bit).
- 5) WAI (Wait-for-Interrupt) saves all the registers in the Stack and waits for an interrupt to occur; i.e., WAI acts like a Halt instruction that saves the registers.

Table 12-1. Memory Maps for 6800 Addresses Used in Response to Interrupts and Reset

| Source                                                | Addresses Used (Hex) |
|-------------------------------------------------------|----------------------|
| Reset ( $\overline{\text{RESET}}$ )                   | FFFE, FFFF           |
| Non-maskable<br>Interrupt ( $\overline{\text{NMI}}$ ) | FFFC, FFFD           |
| Software Interrupt<br>instruction                     | FFFA, FFFB           |
| Interrupt Request<br>( $\overline{\text{IRQ}}$ )      | FFF8, FFF9           |

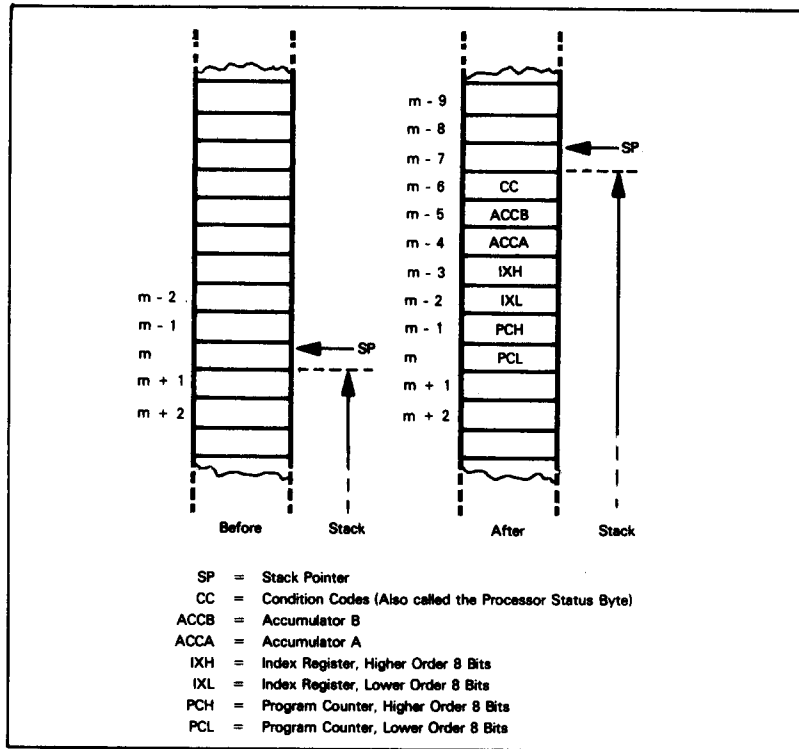


Figure 12-2. Saving the Status of the Microprocessor in the Stack (Courtesy of Motorola)

The non-maskable interrupt is an edge-sensitive input. The processor therefore only reacts to the edge of a pulse on this line, and the pulse will not interrupt its own service routine.

**NON-MASKABLE INTERRUPT**

Non-maskable interrupts are useful for applications that must respond to loss of power (that is, must save data in a low-power memory or switch to a backup battery). Typical applications are communications equipment that must retain codes and partial messages, and test equipment that must keep track of partially completed tests. We will not discuss the non-maskable interrupt any further. We will assume that all interrupt inputs are tied to  $\overline{IRQ}$ .

**PIA Interrupts**

Most 6800 interrupt systems involve 6820 PIAs. Each side of the PIA has the following features for use with interrupts:

**6820 PIA INTERRUPTS**

- 1) An active-low interrupt output.
- 2) Interrupt enable bits (bit 0 of the Control register for control line 1, bit 3 for control line 2).
- 3) Interrupt status bits (bit 7 of the Control register for control line 1, bit 6 for control line 2).

Bits 1 and 4 determine whether a leading edge (low-to-high transition) or trailing edge (high-to-low transition) on the control line causes an interrupt.

## 12-6 6800 Assembly Language Programming

Note that:

- 1) The PIA interrupt enable bits have the opposite polarity from the 6800 I bit; that is, they must be '1' to enable an interrupt.
- 2) RESET clears the PIA Control registers and thus disables all the interrupts.
- 3) The CPU can check bits 6 and 7 of the Control register to see if a PIA has an interrupt pending. Once set, these bits will remain set until the CPU reads the PIA Data register.
- 4) The PIA will remember an interrupt that occurs while PIA interrupts are disabled and will provide an output as soon as the PIA is enabled.

### ACIA Interrupts

The 6850 ACIA can also serve as a source for interrupts. You should note the following features of the ACIA in interrupt-based systems:

#### 6850 ACIA INTERRUPTS

- 1) The transmitter interrupt (ACIA is ready for data) is enabled only if Control register bit 6 = 0 and Control register bit 5 = 1.
- 2) The receiver interrupt (ACIA has received new data) is enabled only if Control register bit 7 = 1.
- 3) Master reset does not affect the interrupt enable bits.
- 4) Bit 7 of the Status register is set if an interrupt has occurred. This bit can be cleared either by reading data from the ACIA or by writing data into the ACIA.

### 6800 Polling Interrupt Systems

Most 6800 interrupt systems must poll each PIA and ACIA to determine which one caused an interrupt. The polling method is:

#### POLLING INTERRUPTS

- 1) Check each PIA by examining bits 6 and 7 of the Control register:

|      |        |                  |
|------|--------|------------------|
| LDAA | PIACRA | IS BIT 7 SET?    |
| BMI  | INT1   | YES, INTERRUPT 1 |
| ASLA |        | IS BIT 6 SET?    |
| BMI  | INT2   | YES, INTERRUPT 2 |

- 2) Check each ACIA by examining bit 7 of the Status register:

|      |        |                       |
|------|--------|-----------------------|
| LDAA | ACIASR | IS BIT 7 SET?         |
| BMI  | INTA   | YES, INTERRUPT ACTIVE |

The important features of a 6800 polling system are:

- 1) The first interrupt examined has the highest priority, since the remaining interrupts will not be examined if the first one is active. The second interrupt has the next highest priority, and so on.
- 2) The service routine must clear the PIA interrupt by reading the Data register, even if the read is otherwise unnecessary. The Test (TST) instruction can be used to read the PIA Data register without affecting the Accumulators.

Polling routines are adequate if there are only a few inputs. However, if there are many inputs, polling routines are slow and awkward because:

#### DISADVANTAGES OF POLLING INTERRUPTS

- 1) The average number of polling operations increases linearly with the number of inputs. On the average, of course, you'll have to poll half of the inputs before finding the correct one. You can reduce the average number of polling operations somewhat by checking the most frequent inputs first.

- 2) PIA and ACIA addresses are rarely consecutive or evenly spaced; therefore, separate instructions are necessary to examine each input. Polling routines are therefore difficult to expand. Tables of I/O addresses could be used, but are awkward to handle with a single Index register.
- 3) Interrupts that are polled first may shut out those that are polled later unless the order of polling is varied. However, the lack of consecutive addresses makes varying the order of polling difficult.

### 6800 Vectored Interrupt Systems

The problem of polling in 6800-based systems has typically been solved by special methods, unique to a particular application or microcomputer (see, for example, J.D. Logan and P.S. Kreager, "Using a Microprocessor", Computer Design, September 1975, pp. 69-77). The 6828 Priority Interrupt Controller does provide an eight-level vectored interrupt system. This device simply recognizes the addresses FFF8 and FFF9 (see Table 12-1) when they appear on the Address Bus and replaces them with one of the eight vectors. We will not discuss this device or 6800 vectored interrupt systems any further. You can find a description of the 6828 device in Volume 2 of An Introduction to Microcomputers.

**6800  
VECTORED  
INTERRUPTS**

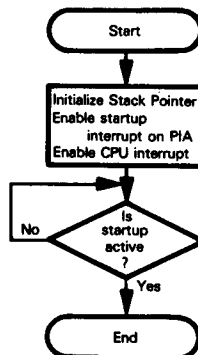
### EXAMPLES

#### A Startup Interrupt

**Purpose:** The computer waits for a PIA interrupt to occur before starting actual operations.

Many systems remain inactive until the operator actually starts them or a DATA READY signal is received. On RESET, such systems must initialize the Stack Pointer, enable the startup interrupt, and execute a WAI instruction. Remember that RESET disables the processor interrupt as well as all the PIA interrupts. In the flowchart, the decision as to whether startup is active is made in hardware (i.e., by the CPU examining the interrupt input internally) rather than in software.

**Flowchart:**



**Source Program:**

Main Program:

```

SEI          DISABLE INTERRUPT
STS    $3E   SAVE MONITOR STACK POINTER
LDS    #$58  INITIALIZE USER STACK POINTER
LDAA   #%00000101
STAA   PIACRA
CLI          ENABLE CPU INTERRUPT
WAI        AND WAIT
    
```

Interrupt Service Routine:

```

ORG    INTRP
LDAA   PIADRA    CLEAR INTERRUPT
LDS    $3E      RESTORE MONITOR STACK POINTER
SWI
    
```

**Object Program:**

| Memory Address<br>(Hex)    | Memory Contents<br>(Hex) | Instruction<br>(Mnemonic) |
|----------------------------|--------------------------|---------------------------|
| Main Program:              |                          |                           |
| 0000                       | 0F                       | SEI                       |
| 0001                       | 9F 3E                    | STS \$3E                  |
| 0003                       | 8E 0058                  | LDS #\$58                 |
| 0006                       | 86 05                    | LDAA #%00000101           |
| 0008                       | B7 PIACRA                | STAA PIACRA               |
| 000B                       | 0E                       | CLI                       |
| 000C                       | 3E                       | WAI                       |
| Interrupt Service Routine: |                          |                           |
| INTRP                      | B6 PIADRA                | LDAA PIADRA               |
| INTRP+3                    | 9E 3E                    | LDS \$3E                  |
| INTRP+5                    | 3F                       | SWI                       |

The exact location of the interrupt service routine varies with the microcomputer. If your microcomputer has no monitor, you can simply place whatever address you want in memory locations FFF8 and FFF9 (or whatever locations respond to those addresses). You must then start the interrupt routine at the address you chose.

**INTERRUPTS  
ON  
PARTICULAR  
MICROCOMPUTERS**

If your microcomputer has a monitor, the monitor will occupy addresses FFF8 and FFF9. Those addresses will either contain a starting address at which you must place your interrupt service routine, or will contain the starting address of a routine that allows you to choose the starting address of the interrupt service routine. A typical monitor routine would be:

**INTERRUPT  
HANDLING  
BY  
MONITORS**

```

MONINT LDX    USRINT  GET USER ADDRESS FOR INTERRUPT
        *          SERVICE ROUTINE
        JMP    X      AND JUMP TO IT
    
```

You must then place the address of your service routine in memory locations USRINT and USRINT+1. Remember that MONINT is an address in the monitor program and its value is in addresses FFF8 and FFF9.

You can include the loading of memory locations USRINT and USRINT+1 in your main program:

```
LDX    #INTRP  GET STARTING ADDRESS OF SERVICE ROUTINE
STX    USRINT  STORE IT AT USER ADDRESS
```

These instructions must precede the enabling of the interrupts.

If the example program were actually entered only on RESET, the SEI and STS \$3E instructions would be unnecessary. Furthermore, the LDS \$3E instruction in the service routine would be replaced by LDS #USRSTK.

On some 6800-based microcomputers, you may not be able to use the WAI instruction. This is because, if the PIAs are enabled with VMA, they will not accept interrupts when VMA is inactive (as it is after the execution of WAI). You can overcome the problem by replacing WAI with the endless loop instruction:

```
HERE   BRA    HERE
```

or 20 followed by FE in hexadecimal.

The main program only enables the interrupt from the startup PIA. Note that this interrupt is enabled (by setting bit 0 of the PIA Control register to 1) before the CPU interrupt is enabled (by clearing the I bit). You must also initialize the Stack Pointer before enabling the CPU interrupt (why?).

In this example the values that the 6800 CPU stores in the Stack are not useful. The easiest way to discard them is to restore the starting address of the Stack to the Stack Pointer.

Remember that accepting an interrupt automatically disables the interrupt system. This allows the real startup routine to configure all the PIAs and other interrupt sources before re-enabling the interrupts. Note that you must clear the startup interrupt in the service routine (with the otherwise useless LDAA PIADRA instruction) or else it will interrupt again as soon as the interrupt system is re-enabled.

### A Keyboard Interrupt

**Purpose:** The computer waits for a keyboard interrupt and places the data from the keyboard in memory location 0040.

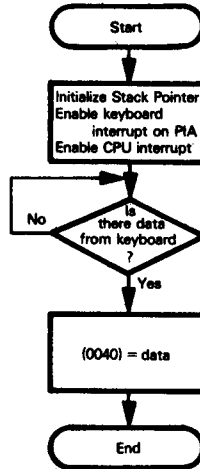


**Sample Problem:**

```
Keyboard data = 06
Result: (0040) = 06
```

## 12-10 6800 Assembly Language Programming

### Flowchart:



### Source Program:

#### Main Program:

|      |            |                                  |
|------|------------|----------------------------------|
| SEI  |            | DISABLE INTERRUPT                |
| STS  | \$3E       | SAVE MONITOR STACK POINTER       |
| LDS  | #\$58      | INITIALIZE USER STACK POINTER    |
| CLR  | PIACRA     | CLEAR OUT KEYBOARD PIA           |
| CLR  | PIADRA     | MAKE DATA LINES INPUTS           |
| LDAA | #%00000101 | ENABLE KEYBOARD INTERRUPT ON PIA |
| STAA | PIACRA     |                                  |
| CLI  |            | ENABLE CPU INTERRUPT             |
| WAI  |            | AND WAIT                         |

#### Interrupt Service Routine:

|      |        |                               |
|------|--------|-------------------------------|
| ORG  | INTRP  |                               |
| LDAA | PIADRA | GET KEYBOARD DATA             |
| STAA | \$40   | SAVE KEYBOARD DATA            |
| LDS  | \$3E   | RESTORE MONITOR STACK POINTER |
| SWI  |        |                               |

**Object Program:**

| Memory Address<br>(Hex)    | Memory Contents<br>(Hex) | Instruction<br>(Mnemonic) |
|----------------------------|--------------------------|---------------------------|
| Main Program:              |                          |                           |
| 0000                       | 0F                       | SEI                       |
| 0001                       | 9F 3E                    | STS \$3E                  |
| 0003                       | 8E 0058                  | LDS #\$58                 |
| 0006                       | 7F PIACRA                | CLR PIACRA                |
| 0009                       | 7F PIADRA                | CLR PIADRA                |
| 000C                       | 86 05                    | LDAA #%00000101           |
| 000E                       | B7 PIACRA                | STAA PIACRA               |
| 0011                       | 0E                       | CLI                       |
| 0012                       | 3E                       | WAI                       |
| Interrupt Service Routine: |                          |                           |
| INTRP                      | B6 PIADRA                | LDAA PIADRA               |
| INTRP+3                    | 97 40                    | STAA \$40                 |
| INTRP+5                    | 9E 3E                    | LDS \$3E                  |
| INTRP+7                    | 3F                       | SWI                       |

You must configure the PIA completely before enabling the interrupts.

Note that you cannot use the registers to directly pass data from the interrupt service routine to the main program. This is because RTI restores the old values of the registers. For example, if you wanted to wait for a non-zero value from the keyboard, the new program (after configuring the PIA) would be:

```

        CLR    $40    MARKER = 0
        CLI    ENABLE CPU INTERRUPT
WAITNZ LDAA    $40    IS THERE NON-ZERO DATA FROM KEYBOARD?
        BEQ    WAITNZ NO. WAIT
        LDS    $3E    RESTORE MONITOR STACK POINTER
        SWI
    
```

or (in hexadecimal):

**Object Program:**

| Memory Address<br>(Hex) | Memory Contents<br>(Hex) | Instruction<br>(Mnemonic) |
|-------------------------|--------------------------|---------------------------|
| 0011                    | 7F 0040                  | CLR \$40                  |
| 0014                    | 0E                       | CLI                       |
| 0015                    | 96 40                    | WAITNZ LDAA \$40          |
| 0017                    | 27 FC                    | BEQ WAITNZ                |
| 0019                    | 9E 3E                    | LDS \$3E                  |
| 001B                    | 3F                       | SWI                       |

## 12-12 6800 Assembly Language Programming

The only changes in the service routine are an RTI (3B) instead of SWI at the end and the elimination of the LDS \$3E instruction.

Note the following features of this program:

- 1) Memory location 0040 is used to transfer results from the service routine to the program. Why couldn't you use Accumulator A instead? The advantage of the 6800 method is that it allows you free use of the registers during the interrupt service routine. This is important if the registers are being used in the main program.
- 2) RTI automatically re-enables the CPU interrupt, since it restores the old value of the I bit (which must have been zero -- why?) from the Stack.
- 3) You must clear memory location 0040 before entering the waiting loop. Does it matter precisely when the program enables the interrupt? Try some alternative orderings.

The interrupt could also cause characters to be entered into a buffer until a carriage return was received. But remember that RTI restores all the registers from the Stack so that changing the registers in the service routine does not change their values in the main program. A possible program would be:

**FILLING  
A BUFFER  
VIA  
INTERRUPTS**

### Source Program:

Main Program:

|        |      |            |                                  |
|--------|------|------------|----------------------------------|
|        | SEI  |            | DISABLE INTERRUPT                |
|        | STS  | \$3E       | SAVE MONITOR STACK POINTER       |
|        | LDS  | #\$58      | INITIALIZE USER STACK POINTER    |
|        | CLR  | PIACRA     | CLEAR OUT KEYBOARD PIA           |
|        | CLR  | PIADRA     | MAKE DATA LINES INPUTS           |
|        | LDAA | #\$0000101 | ENABLE KEYBOARD INTERRUPT ON PIA |
|        | STAA | PIACRA     |                                  |
|        | LDX  | #\$43      | START KEYBOARD BUFFER POINTER    |
|        | STX  | \$41       |                                  |
|        | CLR  | \$40       | CLEAR CARRIAGE RETURN FLAG       |
|        | CLI  |            | ENABLE CPU INTERRUPT             |
| WAITCR | TST  | \$40       | WAIT FOR CARRIAGE RETURN         |
|        | BEQ  | WAITCR     |                                  |
|        | LDS  | \$3E       | RESTORE MONITOR STACK POINTER    |
|        | SWI  |            |                                  |

Interrupt Service Routine:

|        |      |        |                               |
|--------|------|--------|-------------------------------|
|        | ORG  | INTRP  |                               |
|        | LDAA | PIADRA | GET KEYBOARD DATA             |
|        | LDX  | \$41   | GET KEYBOARD BUFFER POINTER   |
|        | STAA | X      | SAVE KEYBOARD DATA            |
|        | INX  |        | UPDATE BUFFER POINTER         |
|        | STX  | \$41   |                               |
|        | CMPA | #CR    | IS DATA A CARRIAGE RETURN?    |
|        | BNE  | ENDINT | NO, END OF ROUTINE            |
|        | INC  | \$40   | YES, SET CARRIAGE RETURN FLAG |
| ENDINT | RTI  |        |                               |

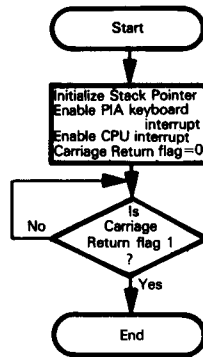
Memory location 0040 contains a flag that is set when a carriage return character is received. Memory locations 0041 and 0042 contain the keyboard buffer pointer. Memory location 0043 is the starting address of the keyboard buffer. Why can't you leave the keyboard buffer pointer in the Index register and the carriage return flag in Accumulator B?

**DOUBLE BUFFERING**

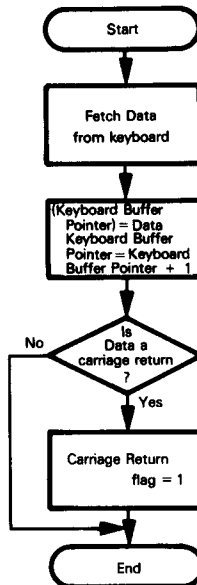
An alternative is to have the interrupt fill one buffer while the main program uses another. This procedure is called "double buffering", and requires some management to determine which buffer is available and to mark when a buffer becomes empty or full.

**Flowcharts:**

Main Program:



Interrupt Service Routine:



## 12-14 6800 Assembly Language Programming

In a real application, the CPU could perform other tasks between interrupts. It could, for instance, edit, move, or transmit a line from one buffer while the interrupt was filling another buffer.

### A Printer Interrupt

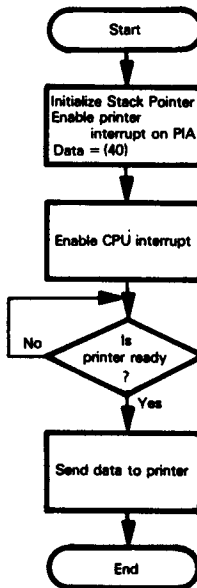
**Purpose:** The computer waits for a printer interrupt and sends the data from memory location 0040 to the printer.

**Sample Problem:**

(0040) = 51

Result: Printer receives a 51 (ASCII Q) when it is ready.

**Flowchart:**



**Source Program:**

Main Program:

|      |             |                                 |
|------|-------------|---------------------------------|
| SEI  |             | DISABLE INTERRUPT               |
| STS  | \$3E        | SAVE MONITOR STACK POINTER      |
| LDS  | #\$58       | INITIALIZE USER STACK POINTER   |
| CLR  | PIACRB      | CLEAR OUT PRINTER PIA           |
| LDAA | #\$FF       | MAKE DATA LINES OUTPUTS         |
| STAA | PIADRB      |                                 |
| LDAA | ##%00000101 | ENABLE PRINTER INTERRUPT ON PIA |
| STAA | PIACRB      |                                 |
| LDAA | \$40        | GET DATA                        |
| CLI  |             | ENABLE CPU INTERRUPT            |
| WAI  |             | AND WAIT                        |

Interrupt Service Routine:

```

    ORG    INTRP
    STAA  PIADRB    SEND DATA TO PRINTER
    LDAA  PIADRB    CLEAR PRINTER INTERRUPT
    LDS   $3E      RESTORE MONITOR STACK POINTER
    SWI
    
```

**Object Program:**

| Memory Address<br>(Hex)    | Memory Contents<br>(Hex) | Instruction<br>(Mnemonic) |
|----------------------------|--------------------------|---------------------------|
| Main Program:              |                          |                           |
| 0000                       | 0F                       | SEI                       |
| 0001                       | 9F 3E                    | STS \$3E                  |
| 0003                       | 8E 0058                  | LDS #\$58                 |
| 0006                       | 7F PIACRB                | CLR PIACRB                |
| 0009                       | 86 FF                    | LDAA #\$FF                |
| 000B                       | B7 PIADRB                | STAA PIADRB               |
| 000E                       | 86 05                    | LDAA #%0000101            |
| 0010                       | B7 PIACRB                | STAA PIACRB               |
| 0013                       | 96 40                    | LDAA \$40                 |
| 0015                       | 0E                       | CLI                       |
| 0016                       | 3E                       | WAI                       |
| Interrupt Service Routine: |                          |                           |
| INTRP                      | B7 PIADRB                | STAA PIADRB               |
| INTRP+3                    | B6 PIADRB                | LDAA PIADRB               |
| INTRP+6                    | 9E 3E                    | LDS \$3E                  |
| INTRP+8                    | 3F                       | SWI                       |

You can use the registers to pass data from the main program to the interrupt service routine. Although the 6800 saves all the user registers in the Stack, it does not actually change any values except the I bit (from 0 to 1 -- why?) in the Condition Code register.

In this program you must be careful as to exactly when the interrupts are enabled. If we reversed the order of the CLI and LDAA \$40 instructions, an interrupt recognized immediately after CLI would cause an error. What would the service routine send to the printer? This error could be very difficult to spot since it would only have an effect on those rare occasions when the interrupt occurs during the execution of CLI. Such random errors are usually in the interrupt system, since the rest of the program is predictable and repeatable.

Note that the interrupt service routine has a dummy read instruction (LDAA PIADRB) which clears the interrupt. What would happen if this instruction were omitted?

RESET clears the Data register to start. Therefore, the initial value of the output data will be zero.

Remember that you may find it necessary to include a dummy read at the start of the main program to clear an interrupt bit that may have been accidentally set during RESET or otherwise. LDAA or TST can be used as the dummy read instruction.

Here again, you could have the printer continue to interrupt until the CPU transferred an entire line of data ending with a carriage return. A possible main program and service routine would be:

**EMPTYING  
A BUFFER  
WITH  
INTERRUPTS**

**Source Program:**

Main Program:

```

        SEI             DISABLE INTERRUPT
        STS             $3E          SAVE MONITOR STACK POINTER
        LDS             #$58          INITIALIZE USER STACK POINTER
        CLR             PIACRB       CLEAR OUT PRINTER PIA
        LDAA            #$FF          MAKE DATA LINES OUTPUTS
        STAA            PIADRB
        LDAA            #%00000101   ENABLE PRINTER INTERRUPT ON PIA
        STAA            PIACRB
        LDX             #$43          START PRINTER BUFFER POINTER
        STX             $41
        CLR             $40          CLEAR CARRIAGE RETURN FLAG
        CLI             ENABLE CPU INTERRUPT
WAITCR  TST             $40          WAIT UNTIL CARRIAGE RETURN
        BEQ             WAITCR
        LDS             $3E
        SWI
    
```

Interrupt Service Routine:

```

        ORG             INTRP
        LDX             $41          GET PRINTER BUFFER POINTER
        LDAA            X           GET PRINTER DATA
        STAA            PIADRB       SEND DATA TO PRINTER
        INX
        STX             $41          UPDATE BUFFER POINTER
        CMPA            #CR          IS DATA A CARRIAGE RETURN?
        BNE             ENDINT       NO, END OF ROUTINE
        INC             $40          YES, SET CARRIAGE RETURN FLAG
    ENDINT  RTI
    
```

Again, double buffering could be used to allow I/O and processing to occur at the same time without ever halting the CPU.

**A Real-Time Clock Interrupt**

**Purpose:** The computer waits for an interrupt from a real-time clock.

**REAL-TIME  
CLOCK**

A real-time clock simply provides a regular series of pulses. The interval between the pulses can be used as a time reference. Real-time clock interrupts can be counted to give any multiple of the basic time interval. A real-time clock can be produced by dividing down the CPU clock, by using a separate timer or a programmable timer like the 6840 device for 6800-based microcomputers, or by using external sources such as the AC line frequency.

Note the tradeoffs involved in determining the frequency of the real-time clock. A high frequency (say 10 kHz) allows the creation of a wide range of time intervals of high accuracy. On the other hand, the overhead involved in counting real-time clock interrupts may be considerable, and the counts will quickly exceed the capacity of a single 8-bit register or memory location. The choice of frequency depends on the precision and timing requirements of your application. The clock may, of course, consist partly of hardware: a counter may count high frequency pulses and only interrupt the processor occasionally.

**FREQUENCY  
OF REAL-  
TIME CLOCK**

One problem is synchronizing operations with the real-time clock. Clearly, there will be some effect on the precision of the timing interval if the CPU starts the measurement randomly during a clock period, rather than exactly at the beginning. Some ways to synchronize operations are:

**SYNCHRONIZATION WITH REAL-TIME CLOCK**

- 1) Start the CPU and clock together.  $\overline{\text{RESET}}$  or a startup interrupt can start the clock as well as the CPU.
- 2) Allow the CPU to start and stop the clock under program control.
- 3) Use a high-frequency clock so that an error of less than one clock period will be small.
- 4) Line up the clock (by waiting for an edge or interrupt) before starting the measurement.

A real-time clock interrupt should have very high priority, since the precision of the timing intervals will be affected by any delay in servicing the interrupt. The usual practice is to make the real-time clock the highest priority interrupt except for power failure. The clock interrupt service routine is generally kept extremely short so that it does not interfere with other CPU activities.

**PRIORITY OF REAL-TIME CLOCK**

**a) Wait for Real-Time Clock**

**Source Program:**

Main Program:

```

SEI          DISABLE CPU INTERRUPT
STS          $3E          SAVE MONITOR STACK POINTER
LDS          #$58          INITIALIZE USER STACK POINTER
LDAA        #%00000101    ENABLE REAL-TIME CLOCK INTERRUPT
STAA        PIACRA
CLI
WAI          ENABLE CPU INTERRUPT
              AND WAIT
    
```

Interrupt Service Routine:

```

ORG          INTRP
LDAA        PIADRA          CLEAR REAL-TIME CLOCK INTERRUPT
LDS          $3E          RESTORE MONITOR STACK POINTER
SWI
    
```

**Object Program:**

| Memory Address (Hex)       | Memory Contents (Hex) | Instruction (Mnemonic) |
|----------------------------|-----------------------|------------------------|
| Main Program:              |                       |                        |
| 0000                       | 0F                    | SEI                    |
| 0001                       | 9F 3E                 | STS \$3E               |
| 0003                       | 8E 0058               | LDS #\$58              |
| 0006                       | 86 05                 | LDAA #%00000101        |
| 0008                       | B7 PIACRA             | STAA PIACRA            |
| 000B                       | 0E                    | CLI                    |
| 000C                       | 3E                    | WAI                    |
| Interrupt Service Routine: |                       |                        |
| INTRP                      | B6 PIADRA             | LDAA PIADRA            |
| INTRP+3                    | 9E 3E                 | LDS \$3E               |
| INTRP+5                    | 3F                    | SWI                    |

**12-18** 6800 Assembly Language Programming

If bit 1 of the PIA Control register is 0, the interrupt will occur on the high-to-low (trailing) clock edge. If that bit is 1, the interrupt will occur on the low-to-high (leading) clock edge.

The dummy read (LDAA PIADRA) in the service routine is necessary to clear the clock interrupt.

**b) Wait for 10 Real-Time Clock Interrupts**

**Source Program:**

Main Program:

```

SEI          DISABLE CPU INTERRUPT
STS          $3E          SAVE MONITOR STACK POINTER
LDS          #$58          INITIALIZE USER STACK POINTER
LDAA        #%00000101    ENABLE REAL-TIME CLOCK PIA INTERRUPT
STAA        PIACRA
CLR          $40          CLEAR REAL-TIME CLOCK COUNTER
LDAA        #10          DESIRED COUNT IS 10
CLI          ENABLE CPU INTERRUPT
WTCNT CMPA    $40          HAS CLOCK COUNTER REACHED 10?
BNE         WTCNT        NO, WAIT
LDS         $3E          RESTORE MONITOR STACK POINTER
SWI
    
```

Interrupt Service Routine:

```

ORG         INTRP
LDAA        PIADRA          CLEAR REAL-TIME CLOCK INTERRUPT
INC         $40             INCREMENT REAL-TIME CLOCK COUNTER
RTI
    
```

**Object Program:**

| Memory Address<br>(Hex)    | Memory Contents<br>(Hex) | Instruction<br>(Mnemonic) |
|----------------------------|--------------------------|---------------------------|
| Main Program:              |                          |                           |
| 0000                       | 0F                       | SEI                       |
| 0001                       | 9F 3E                    | STS \$3E                  |
| 0003                       | 8E 0058                  | LDS #\$58                 |
| 0006                       | 86 05                    | LDAA #%00000101           |
| 0008                       | B7 PIACRA                | STAA PIACRA               |
| 000B                       | 7F 0040                  | CLR \$40                  |
| 000E                       | 86 0A                    | LDAA #10                  |
| 0010                       | 0E                       | CLI                       |
| 0011                       | 91 40                    | WTCNT CMPA \$40           |
| 0013                       | 26 FC                    | BNE WTCNT                 |
| 0015                       | 9E 3E                    | LDS \$3E                  |
| 0017                       | 3F                       | SWI                       |
| Interrupt Service Routine: |                          |                           |
| INTRP                      | B6 PIADRA                | LDAA PIADRA               |
| INTRP+3                    | 7C 0040                  | INC \$40                  |
| INTRP+6                    | 3B                       | RTI                       |

Note that you cannot transfer data back to the main program in the registers (e.g., you could not use Accumulator A as a counter instead of memory location 0040).

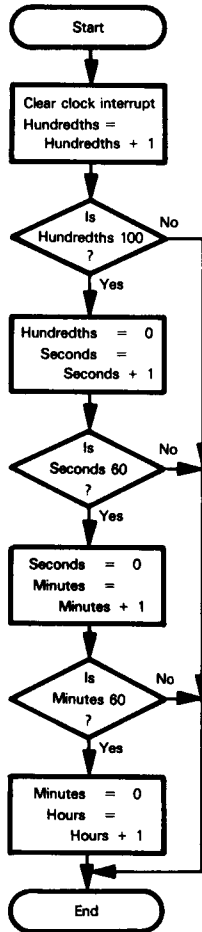
The 6846 combination chip (ROM-I/O-timer) has a 16-bit programmable interval timer-counter that can be used to perform a variety of timing functions.

A real-time clock interrupt routine may maintain real time in several memory locations. For example, the following routine uses addresses 0040 through 0043 as follows:

**MAINTAINING REAL TIME**

- 0040 - hundredths of seconds
- 0041 - seconds
- 0042 - minutes
- 0043 - hours

**Flowchart:**



We assume that the routine is triggered by a 100 Hz clock.

**Source Program:**

```

ORG      INTRP
LDAA    PIADRA      CLEAR CLOCK INTERRUPT
LDX     #$40
INC     X           UPDATE HUNDREDTHS OF SECONDS
LDAA    #100        IS THERE A CARRY TO SECONDS?
CMPA   X
BNE    ENDINT      NO, DONE
CLR     X           YES, MAKE HUNDREDTHS ZERO
INC     1,X        UPDATE SECONDS
LDAA    #60        IS THERE A CARRY TO MINUTES ?
CMPA   1,X
BNE    ENDINT      NO, DONE
CLR     1,X        YES, MAKE SECONDS ZERO
INC     2,X        UPDATE MINUTES
CMPA   2,X        IS THERE A CARRY TO HOURS ?
BNE    ENDINT      NO, DONE
CLR     2,X        YES, MAKE MINUTES ZERO
INC     3,X        UPDATE HOURS
ENDINT  RTI
    
```

Now a wait of 300 ms could be produced in the main program with the routine:

```

LDAA    $40        GET CURRENT REAL TIME
ADDA    #30        DESIRED TIME IS 30 COUNTS (HUNDREDTHS
                  OF SECONDS LATER)
CMPA   #100        MOD 100
BCS    WAIT30
SUBA   #100
WAIT30  CMPA   $40        WAIT UNTIL DESIRED TIME
BNE    WAIT30
    
```

Of course, the program could perform other tasks and only check the elapsed time occasionally. How would you produce a delay of 7 seconds? 3 minutes?

Sometimes you may want to keep time in ASCII or decimal digits. How would you revise the last program to handle these alternatives?

You can disable the clock interrupt (or any other interrupt) when it is no longer needed in any of the following ways:

**DISABLING INTERRUPTS**

- 1) By executing an SEI instruction in the main program. This disables the entire interrupt system. An SEI instruction in the service routine has no effect, since RTI restores the old I bit. Actually, the interrupt is disabled during the service routine anyway.
- 2) By clearing bit 0 of the PIA Control register either during the service routine or during the main program. This disables only the interrupt from one side of one PIA.
- 3) By setting the interrupt bit in the Stack during the service routine. The following program will do the job (remember that the interrupt bit is bit 4 of the Condition Code register and that the Condition Code register is the top entry in the Stack -- see Figure 12-2):

```

PULA           GET CONDITION CODE REGISTER
ORAA    #%00010000  SET INTERRUPT BIT
PSHA           RETURN CONDITION CODE REGISTER TO
                STACK
    
```

RTI will then cause a return to the main program with the entire interrupt system disabled.

More generally, you can change any of the register values in the Stack easily by using the TSX instruction to move the address of the first occupied Stack location to the Index register. Now the registers can be accessed with indexed offsets as follows:

**CHANGING REGISTER VALUES IN STACK**

|                           |     |
|---------------------------|-----|
| Condition Code register   | 0,X |
| Accumulator B             | 1,X |
| Accumulator A             | 2,X |
| 8 MSBs of Index register  | 3,X |
| 8 LSBs of Index register  | 4,X |
| 8 MSBs of Program Counter | 5,X |
| 8 LSBs of Program Counter | 6,X |

For example, the following program will make the returned value of Accumulator A one larger than the original value:

```

TSX          ACCESS STACK
INC          2,X      ADD 1 TO 'A' VALUE
    
```

**A Teletypewriter Interrupt**

**Purpose:** The computer waits for data to be received from a teletypewriter and stores the data in memory location 0040.

- 1) Using an ACIA  
(7-bit characters with odd parity and two stop bits).

**ACIA INTERRUPT ROUTINE**

**Source Program:**

```

SEI          DISABLE CPU INTERRUPT
STS          $3E      SAVE MONITOR STACK POINTER
LDS          #58      INITIALIZE USER STACK POINTER
LDAA        #00000011 MASTER RESET ACIA
STAA        ACIACR
LDAA        #11000101 ENABLE ACIA INTERRUPT
STAA        ACIACR
CLI          ENABLE CPU INTERRUPT
WAI          AND WAIT
ORG          INTRP
LDAA        ACIADR      GET DATA FROM ACIA
STAA        $40      AND SAVE IT
LDS          $3E      RESTORE MONITOR STACK POINTER
SWI
    
```

**Object Program:**

| Memory Address<br>(Hex)    | Memory Contents<br>(Hex) | Instruction<br>(Mnemonic) |
|----------------------------|--------------------------|---------------------------|
| Main Program:              |                          |                           |
| 0000                       | 0F                       | SEI                       |
| 0001                       | 9F 3E                    | STS \$3E                  |
| 0003                       | 8E 0058                  | LDS #\$58                 |
| 0006                       | 86 03                    | LDAA #%00000101           |
| 0008                       | B7 ACIACR                | STAA ACIACR               |
| 000B                       | 86 C5                    | LDAA #%11000101           |
| 000D                       | B7 ACIACR                | STAA ACIACR               |
| 0010                       | 0E                       | CLI                       |
| 0011                       | 3E                       | WAI                       |
| Interrupt Service Routine: |                          |                           |
| INTRP                      | B6 ACIADR                | LDAA ACIADR               |
| INTRP+3                    | 97 40                    | STAA \$40                 |
| INTRP+5                    | 9E 3E                    | LDS \$3E                  |
| INTRP+7                    | 3F                       | SWI                       |

Remember that the ACIA has no RESET input, so a MASTER RESET (making Control register bits 0 and 1 both '1') is necessary before the ACIA is used. The ACIA Control register configuration is:

- Bit 7 = 1 to enable the receive interrupt
- Bit 6 = 0, Bit 5 = 1 to disable the transmitter interrupt and make  $\overline{RTS}$  high (inactive)
- Bit 4 = 0, Bit 3 = 0, Bit 2 = 1 to select 7-bit data with odd parity and two stop bits
- Bit 1 = 0, Bit 0 = 1 for  $\div 16$  clock (1760 Hz)

To determine if a particular ACIA is the source of an interrupt, the CPU must examine the interrupt request bit, bit 7 of the Status register. The program must examine the Receive Data Register Full bit (Status register bit 0) and the Transmitter Data Register Empty bit (Status register bit 1) to differentiate between receive and transmit interrupts.

Either reading the Receive Data register or writing into the Transmit Data register clears the ACIA interrupt request bit.

2) Using a PIA

(Received data tied to both data bit 7 and to control line 1 of the PIA).

**START BIT INTERRUPT**

**Source Program:**

Main Program:

```

SEI          DISABLE CPU INTERRUPT
STS          $3E          SAVE MONITOR STACK POINTER
LDS          #$58          INITIALIZE USER STACK POINTER
CLR          PIACRA       CLEAR OUT CONTROL REGISTER
CLR          PIADDRA      MAKE DATA LINES INPUTS
LDAA         #%00000101   ENABLE TTY PIA INTERRUPT
STAA        PIACRA
CLI          ENABLE CPU INTERRUPT
WAI          AND WAIT
JSR          TTYRCV       FETCH DATA FROM TTY
LDS          $3E          RESTORE MONITOR STACK POINTER
SWI
    
```

Interrupt Service Routine:

```

ORG          INTRP
LDAA         PIADRA       CLEAR START BIT INTERRUPT
LDAA         #%00000100   DISABLE TTY PIA INTERRUPT
STAA        PIACRA
RTI
    
```

**Object Program:**

| Memory Address<br>(Hex)    | Memory Contents<br>(Hex) | Instruction<br>(Mnemonic) |
|----------------------------|--------------------------|---------------------------|
| Main Program:              |                          |                           |
| 0000                       | 0F                       | SEI                       |
| 0001                       | 9F 3E                    | STS \$3E                  |
| 0003                       | 8E 0058                  | LDS #\$58                 |
| 0006                       | 7F PIACRA                | CLR PIACRA                |
| 0009                       | 7F PIADDRA               | CLR PIADDRA               |
| 000C                       | 86 05                    | LDAA #%00000101           |
| 000E                       | B7 PIACRA                | STAA PIACRA               |
| 0011                       | 0E                       | CLI                       |
| 0012                       | 3E                       | WAI                       |
| 0013                       | 8D TTYRCV                | JSR TTYRCV                |
| 0016                       | 9E 3E                    | LDS \$3E                  |
| 0018                       | 3F                       | SWI                       |
| Interrupt Service Routine: |                          |                           |
| INTRP                      | B6 PIADRA                | LDAA PIADRA               |
| INTRP+3                    | 86 04                    | LDAA #%00000100           |
| INTRP+5                    | B7 PIACRA                | STAA PIACRA               |
| INTRP+8                    | 3B                       | RTI                       |

Subroutine TTYRCV is the teletypewriter receive routine shown in the previous chapter.

The edge used to cause the interrupt is very important here. The transition from the normal '1' state to the '0' state must cause the interrupt, since this transition identifies the start of the transmission. The '0' to '1' transition will not occur until a non-zero data bit is received.

The service routine must disable the PIA interrupt, since otherwise each '1' to '0' transition in the character will cause an interrupt. Note that the ignored transitions will be cleared when the data bits are read. Of course, you must re-enable the PIA interrupt after the entire character has been read.

### MORE GENERAL SERVICE ROUTINES

More general service routines that are part of a complete interrupt-driven system must handle the following tasks:

**TASKS FOR  
GENERAL  
SERVICE  
ROUTINES**

- 1) Saving any needed data in the Stack so that the interrupted program can be correctly resumed. Remember that the 6800 automatically saves all registers and flags.

Note that the 6800 PSH instructions transfer the contents of an Accumulator to the Stack.

- 2) Establishing the priority of the interrupt, perhaps by writing the priority into an external register.

The rest of the interrupt system can then be re-enabled. Remember that in order to restore the old priority correctly, you must save it in the Stack along with the other status. A copy of the current priority must be saved in RAM if the external register is write-only.

- 3) Restoring the old priority and other data before returning to the interrupted program.

The service routine should be transparent as far as the interrupted program is concerned (i.e., it should have no incidental effects).

Any standard subroutines that are used by an interrupt service routine must be re-entrant. If some subroutines cannot be made re-entrant, the interrupt service routine must have separate versions to use.

For some real-life examples of designing 6800-based systems with interrupts, see:

Baunach, S.C., "An Example of an M6800-based GPIB Interface", EDN, September 20, 1977, pp. 125-128.

Cannon, L.E., and P.S. Kreager, "Using a Microprocessor: a Real-Life Application. Part 2 - Software", Computer Design, October 1975, pp. 81-89.

Fullager, D., et al., "Interfacing Data Converters and Microprocessors", Electronics, December 8, 1976, pp. 81-89.

Hill, S.A. "Multiprocess Control Interface Makes Remote  $\mu$ P Command Possible", EDN, February 5, 1976, pp. 87-89.

Holderby, W.S., "Designing a Microprocessor-based Terminal for Factory Data Collection", Computer Design, March 1977, pp. 81-88.

Lange, A., "OPTACON Interface Permits the Blind to 'Read' Digital Instruments", EDN, February 5, 1976, pp. 84-86.

Logan, J.D., and P.S. Kreager, "Using a Microprocessor: a Real-Life Application. Part 1 - Hardware", Computer Design, September 1975, pp. 69-77.

Moore, A., and M. Eidson, "Printer Control", Application Note available from Motorola Semiconductor Products, Phoenix, AZ.

**PROBLEMS****1) A Test Interrupt**

**Purpose:** The computer waits for a PIA interrupt to occur, then executes the end-less loop instruction

```
HERE    BRA    HERE
```

until the next interrupt occurs.

**2) A Keyboard Interrupt**

**Purpose:** The computer waits for a 4-digit entry from a keyboard and places the digits in memory locations 0042 through 0045 (first one received in 0042). Each digit entry causes an interrupt. The fourth entry should also result in the disabling of the keyboard interrupt.

**Sample Problem:**

```
Keyboard data = 04, 06, 01, 07
Result: (0042) = 04
        (0043) = 06
        (0044) = 01
        (0045) = 07
```

**3) A Printer Interrupt**

**Purpose:** The computer sends four characters from memory locations 0042 through 0045 (starting with 0042) to the printer. Each character is requested by an interrupt. The fourth transfer also disables the printer interrupt.

**4) A Real-Time Clock Interrupt**

**Purpose:** The computer clears memory location 0040 initially and then complements memory location 0040 each time the real-time clock interrupt occurs. How would you change the program so that it complements memory location 0040 after every ten interrupts? How would you change the program so that it leaves memory location 0040 at zero for ten clock periods, FF (hex) for five clock periods, and so on continuously? You may want to use a display rather than memory location 0040 so that it will be easier to see.

**5) A Teletypewriter Interrupt**

**Purpose:** The computer receives data from an interrupting ACIA and stores the characters in a buffer starting in memory location 0042. The process continues until the computer receives a carriage return (0D hex). Assume that the characters are 7-bit ASCII with odd parity. How would you change your program to use a PIA? Assume that subroutine TTYRCV is available, as in the example. Include the carriage return as the final character in the buffer.



# Chapter 13

## PROBLEM DEFINITION AND PROGRAM DESIGN

### THE TASKS OF SOFTWARE DEVELOPMENT

In the previous chapters, we have concentrated on the writing of short programs in assembly language. While this is an important topic, it is only a small part of the total problem of software development. Although writing assembly language programs seems like a major task to the newcomer, it soon becomes relatively simple. By now, you should be familiar with most of the standard methods for programming in assembly language on the 6800 microprocessor. The next four chapters will describe how to formulate tasks as programs and how to put short programs together to form a working system.

Software development consists of many stages. Figure 13-1 is a flowchart of the software development process. Its stages are:

- Problem definition
- Program design
- Coding
- Debugging
- Testing
- Documentation
- Maintenance and redesign

Each of these stages is important in the construction of a working system. Note that coding, the writing of programs in a form that the computer understands, is only one of seven stages.

In fact, coding is usually the easiest stage to define and perform. The rules for writing computer programs are easy to learn. They vary somewhat from computer to computer, but the basic techniques remain the same. Few software projects run into trouble because of coding; indeed, coding is not the most significant part of software development. Experts estimate that a programmer can write one to ten fully debugged and documented statements per day. Clearly, the mere coding of one to ten statements is hardly a full day's effort. On most software projects, coding occupies less than 25% of the programmer's time.

Measuring progress in the other stages is difficult. You can say that half of the program has been written, but you can hardly say that half of the errors have been removed or half of the problem has been defined. Timetables for such stages as program design, debugging, and testing are difficult to produce. Many days or weeks of effort may result in no clear progress. Furthermore, an incomplete job in one stage may result in tremendous problems later. For example, poor problem definition or program design can make debugging and testing very difficult. Time saved in one stage may be spent many times over in later stages.

**STAGES OF SOFTWARE DEVELOPMENT**

**RELATIVE IMPORTANCE OF CODING**

**MEASURING PROGRESS IN STAGES**

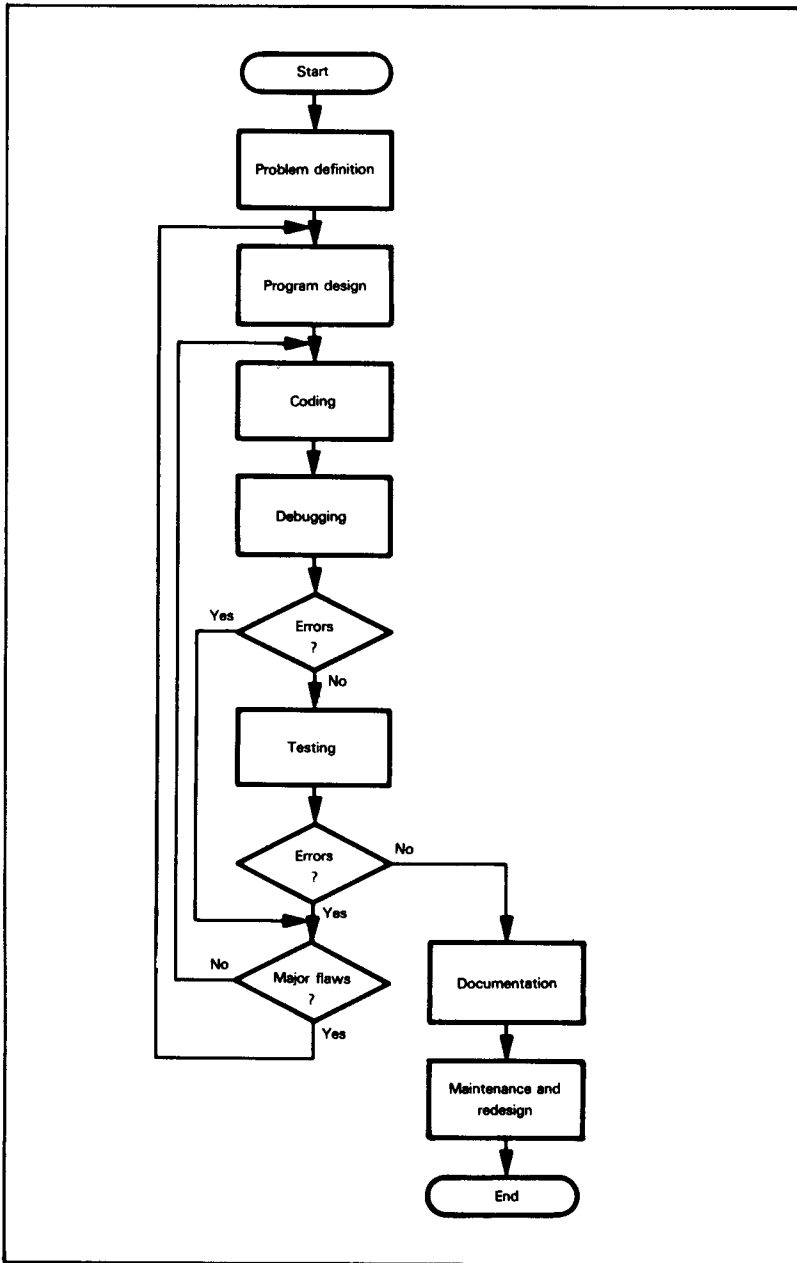


Figure 13-1. Flowchart of Software Development

## DEFINITION OF THE STAGES

Problem definition is the formulation of the task in terms of the requirements it places on the computer. For example, what is necessary to make a computer control a tool, run a series of electrical tests, or handle communications between a central controller and a remote instrument? Problem definition requires that you determine the forms and rates of inputs and outputs, the amount and speed of processing that is needed, and the types of possible errors and their handling. Problem definition takes a vaguely defined idea of building a computer-controlled system and defines the tasks and requirements for the computer.

**PROBLEM  
DEFINITION**

Program design is the outline of the computer program which will perform the tasks that have been defined. In the design stage, the tasks are described in a way that can easily be converted into a program. Among the useful techniques in this stage are flowcharting, structured programming, modular programming and top-down design.

**PROGRAM  
DESIGN**

Coding is the writing of the program in a form that the computer can either directly understand or translate. The form may be machine language, assembly language or a high-level language.

**CODING**

Debugging, also called program verification, is making the program do what the design specified that it would do. In this stage, you use such tools as breakpoints, traces, simulators, logic analyzers and in-circuit emulators. The end of the debugging stage is hard to define, since you never know when you have found the last error.

**DEBUGGING**

Testing, also referred to as program validation, is ensuring that the program performs the overall system tasks correctly. The designer uses simulators, exercisers and various statistical techniques to get some measure of the program's performance.

**TESTING**

Documentation is the description of the program in the proper form for users and maintenance personnel. Documentation also allows the designer to develop a program library so that subsequent tasks will be far simpler. Flowcharts, comments, memory maps and library forms are some of the tools used in documentation.

**DOCUMENTATION**

Maintenance and redesign are the servicing, improvement and extension of the program. Clearly, the designer must be ready to handle field problems in computer-based equipment. Special diagnostic modes or programs and other maintenance tools may be required. Upgrading or extension of the program may be necessary to meet new requirements or handle new tasks.

**MAINTENANCE  
AND  
REDESIGN**

The rest of this chapter will consider only the problem definition and program design stages. Chapter 14 will discuss debugging and testing, and Chapter 15 will discuss documentation, extension and redesign. We will bring all the stages together in some simple systems examples in Chapter 16.

### PROBLEM DEFINITION

Typical microprocessor tasks require a lot of definition. For example, what must a program do to control a scale, a cash register or a signal generator? Clearly, we have a long way to go just to define the tasks involved.

### DEFINING THE INPUTS

How do we start the definition? The obvious place to begin is with the inputs. We should begin by listing all the inputs that the computer may receive in this application.

### 13-4 6800 Assembly Language Programming

Examples of inputs are:

- Data blocks from transmission lines
- Status words from peripherals
- Data from A/D converters

Then, we may ask the following questions about each input:

**FACTORS  
IN INPUT**

- 1) What is its form; i.e., what signals will the computer actually receive?
- 2) When is the input available and how does the processor know it is available? Does the processor have to request the input with a strobe signal? Does the input provide its own clock?
- 3) How long is it available?
- 4) How often does it change, and how does the processor know that it has changed?
- 5) Does the input consist of a sequence or block of data? Is the order important?
- 6) What should be done if the data contains errors? These may include transmission errors, incorrect data, sequencing errors, extra data, etc.
- 7) Is the input related to other inputs or outputs?

#### **DEFINING THE OUTPUTS**

The next step to define is the output. We must list all the outputs that the computer must produce. Examples of outputs include:

- Data blocks to transmission lines
- Control words to peripherals
- Data to D/A converters

Then, we may ask the following questions about each output:

- 1) What is its form; i.e., what signals must the computer produce?
- 2) When must it be available, and how does the peripheral know it is available?
- 3) How long must it be available?
- 4) How often must it change, and how does the peripheral know that it has changed?
- 5) Is there a sequence of outputs? Is the order important?
- 6) What should be done to avoid transmission errors or to sense and recover from peripheral failures?
- 7) How is the output related to other inputs and outputs?

#### **PROCESSING SECTION**

Between the reading of input data and the sending of output results is the processing section. Here we must determine exactly how the computer must process the input data. The questions are:

- 1) What is the basic procedure (algorithm) for transforming input data into output results?
- 2) What time constraints exist? These may include data rates, delay times, the time constants of input and output devices, etc.
- 3) What memory constraints exist? Do we have limits on the amount of program memory or data memory, or on the size of buffers?
- 4) What standard programs or tables must be used? What are their requirements?
- 5) What special cases exist, and how should the program handle them?
- 6) How accurate must the results be?

**FACTORS IN  
PROCESSING**

## ERROR HANDLING

An important factor in many applications is the handling of errors. Clearly, the designer must make provisions for recovering from common errors and for diagnosing malfunctions. Among the questions that the designer must ask at the definition stage are:

- 1) What errors could occur?
- 2) Which errors are most likely? If a person operates the system, human error is the most common. Following human errors, communications or transmission errors are more common than mechanical, electrical, mathematical or processor errors.
- 3) Which errors will not be immediately obvious to the system? A special problem is the occurrence of errors that the system or operator may not recognize as incorrect.
- 4) How can the system recover from errors with a minimum loss of time and data, and yet be aware that an error has occurred?
- 5) Which errors or malfunctions cause the same system behavior? How can these errors or malfunctions be distinguished for diagnostic purposes?
- 6) Which errors involve special system procedures? For example, do parity errors require retransmission of data?

### ERROR CONSIDERATIONS

Another question is: How can the field technician systematically find the source of malfunctions without being an expert? Built-in test programs (see, for example, V.P. Srin, "Fault Diagnosis of Microprocessor Systems", *Computer*, January 1977, pp. 60-65), special diagnostics or signature analysis can help. For a description of signature analysis, see G. Gordon and H. Nadig, "Hexadecimal Signatures Identify Trouble-spots in Microprocessor Systems", *Electronics*, March 3, 1977, pp. 89-96. There is also an Application Note (#222) entitled "A Designer's Guide to Signature Analysis" available from Hewlett-Packard.

## HUMAN FACTORS

Many microprocessor-based systems involve human interaction. Human factors must be considered throughout the development process for such systems. Among the questions that the designer must ask are:

- 1) What input procedures are most natural for the human operator?
- 2) Can the operator easily determine how to begin, continue and end the input operation?
- 3) How is the operator informed of procedural errors and equipment malfunctions?
- 4) What errors is the operator most likely to make?
- 5) How does the operator know that data has been entered correctly?
- 6) Are displays in a form that the operator can easily read and understand?
- 7) Is the response of the system adequate for the operator?
- 8) Is the system easy for the operator to use?
- 9) Are there guiding features for an inexperienced operator?
- 10) Are there shortcuts and reasonable options for the experienced operator?
- 11) Can the operator always determine or reset the state of the system after interruptions or distractions?

### OPERATOR INTERACTION

Building a system for people to use is difficult. The microprocessor can make the system more powerful, more flexible and more responsive. However, the designer still must add the human touches that can greatly increase the usefulness and attractiveness of the system and the productivity of the human operator.

## EXAMPLES

### Response to a Switch

Figure 13-2 shows a simple system in which the input is from a single SPST switch and the output is to a single LED display. In response to a switch closure, the processor turns the display on for one second. This system should be easy to define.

Let us first examine the input and answer each of the questions previously presented:

- 1) The input is a single bit which may be either '0' (switch closed) or '1' (switch open).
- 2) The input is always available and need not be requested.
- 3) The input is available for at least several milliseconds after the closure.
- 4) The input will seldom change more than once every few seconds. The processor only has to handle the bounce in the switch. The processor must monitor the switch to determine when it is closed.
- 5) There is no sequence of inputs.
- 6) The obvious input errors are switch failure, failure in the input circuitry, and the operator attempting to close the switch again before a sufficient amount of time has elapsed. We will discuss the handling of these errors later.
- 7) The input does not depend on any other inputs or outputs.

|                                         |
|-----------------------------------------|
| <b>DEFINING SWITCH AND LIGHT SYSTEM</b> |
| <b>SWITCH AND LIGHT INPUT</b>           |

The next requirement in defining the system is to examine the output. The answers to our questions are:

- 1) The output is a single bit which is '0' to turn the display on, '1' to turn it off.
- 2) There are no time constraints on the output. The peripheral does not need to be informed of the availability of data.
- 3) If the display is an LED, the data need only be available for a few milliseconds at a pulse rate of about 100 times per second. The observer will see a continuously lit display.
- 4) The data must change (go off) after one second.
- 5) There is no sequence of outputs.
- 6) The possible output errors are display failure and failure in the output circuitry.
- 7) The output depends only on the switch input and time.

|                                 |
|---------------------------------|
| <b>SWITCH AND LIGHT OUTPUTS</b> |
|---------------------------------|

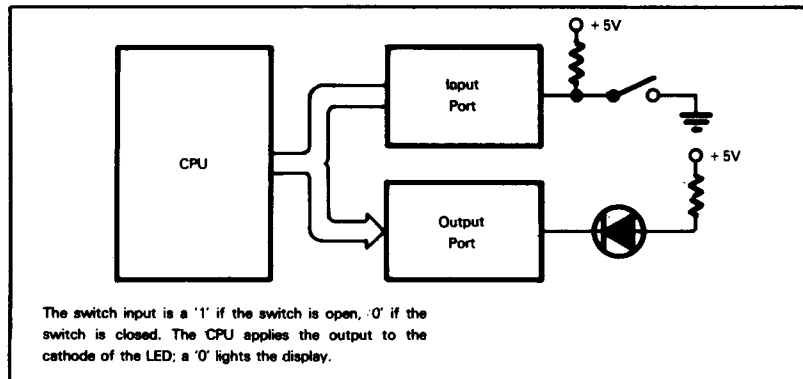


Figure 13-2. The Switch and Light System

The processing section is extremely simple. As soon as the switch input becomes a logic '0', the CPU turns the light on (a logic '0') for one second. No time or memory constraints exist.

Let us now look at the possible errors and malfunctions. These are:

- 1) Another switch closure before one second has elapsed.
- 2) Switch failure.
- 3) Display failure.
- 4) Computer failure.

**SWITCH AND  
LIGHT ERROR  
HANDLING**

Surely the first error is the most likely. The simplest solution is for the processor to ignore switch closures until one second has elapsed. This brief unresponsive period will hardly be noticeable to the human operator. Furthermore, ignoring the switch during this period means that no debouncing circuitry or software is necessary, since the system will not react to the bounce anyway.

Clearly, the last three failures can produce unpredictable results. The display may stay on, stay off or change state randomly. Some possible ways to isolate the failures would be:

- 1) Lamp-test hardware to check the display; i.e., a button that turns the light on independently of the processor.
- 2) A direct connection to the switch to check its operation.
- 3) A diagnostic program that exercises the input and output circuits.

If both the display and switch are working, the computer is at fault. A field technician with proper equipment can determine the cause of the failure.

### **A Switch-Based Memory Loader**

Figure 13-3 shows a system which allows the user to enter data into any memory location in a microcomputer. One input port, DPORT, reads data from eight toggle switches. The other input port, CPORT, is used to read control information. There are three momentary switches: High Address, Low Address and Data. The output is the value of the last completed entry from the data switches; eight LEDs are used for the display.

**DEFINING A  
SWITCH-BASED  
MEMORY LOADER**

The system will also, of course, require various resistors, buffers and drivers.

We shall first examine the inputs. The characteristics of the switches are the same as in the previous example; however, here there is a distinct sequence of inputs, as follows:

- 1) The operator must set the data switches according to the eight most significant bits of an address, then
- 2) press the High Address button. The high address bits will appear on the lights, and the program will interpret the data as the high byte of the address.
- 3) Then the operator must set the data switches with the value of the least significant byte of the address and
- 4) press the Low Address button. The low address bits will appear on the lights, and the program will consider the data to be the low byte of the address.
- 5) Finally, the operator must set the desired data into the data switches and
- 6) press the Data button. The display will now show the data, and the program stores the data in memory at the previously entered address.

The operator may repeat the process to enter an entire program. Clearly, even in this simplified situation, we will have many possible sequences to consider. How do we cope with erroneous sequences and make the system easy to use?

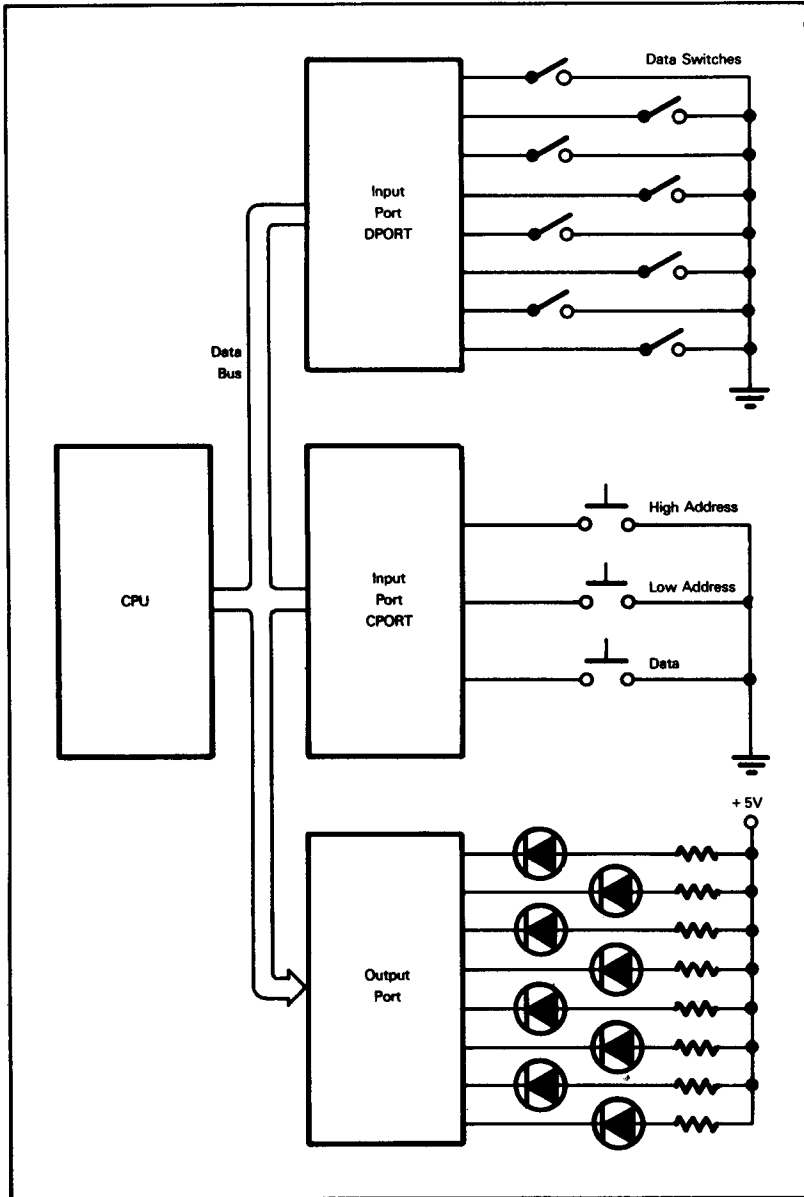


Figure 13-3. The Switch-Based Memory Loader

Output is no problem. After each input, the program sends to the displays the complement (since the displays are active-low) of the input bits. The output data remains the same until the next input operation.

The processing section remains quite simple. There are not time or memory constraints. The program can debounce the switches by waiting for a few milliseconds, and must provide complemented data to the displays.

The most likely errors are operator mistakes. These include:

- 1) Incorrect entries.
- 2) Incorrect order.
- 3) Incomplete entries; for example, forgetting the data.

**MEMORY  
LOADER  
ERROR  
HANDLING**

The system must be able to handle these problems in a reasonable way, since they are certain to occur in actual operation.

The designer must also consider the effects of equipment failure. Just as before, the possible difficulties are:

- 1) Switch failure.
- 2) Display failure.
- 3) Computer failure.

In this system, however, we must pay more attention to how these failures affect the system. A computer failure will presumably cause very unusual behavior by the system, and will be easy to detect. A display failure may not be immediately noticeable; here a Lamp Test feature will allow the operator to check the operation. Note that we would like to test each LED separately, in order to diagnose the case in which output lines are shorted together. In addition, the operator may not immediately detect switch failure; however, the operator should soon notice it and establish which switch is faulty by a process of elimination.

Let us look at some of the possible operator errors. Typical errors will be:

- 1) Erroneous data.
- 2) Wrong order of entries or switches.
- 3) Trying to go on to the next entry without completing the current one.

**OPERATOR  
ERROR  
CORRECTION  
IN MEMORY  
LOADER**

The operator will presumably notice erroneous data as soon as it appears on the displays. What is a viable recovery procedure for the operator? Some of the options are:

- 1) The operator must complete the entry procedure; i.e., enter Low Address and Data if the error occurs in the High Address. Clearly, this procedure is wasteful and would only serve to annoy the operator.
- 2) The operator may restart the entry process by returning to the high address entry steps. This solution is useful if the error was in the High Address, but forces the operator to re-enter earlier data if the error was in the Low Address or Data stage.
- 3) The operator may enter any part of the sequence at any time simply by setting the Data switches with the desired data and pressing the corresponding button. This procedure allows the operator to make corrections at any point in the sequence.

This type of procedure should always be preferred over one that does not allow immediate error correction, has a variety of concluding steps, or enters data into the system without allowing the operator a final check. Any added complication in hardware or software will be justified in increased operator efficiency. You should always prefer to let the microcomputer do the tedious work and recognize arbitrary sequences; it never gets tired and never forgets what was in the operating manual.

A further helpful feature would be status lights that would define the meaning of the display. Three status lights, marked "High Address", "Low Address" and "Data", would let the operator know what had been entered without having to remember which button was pressed. The processor would have to monitor the sequence, but the added complication in software would simplify the operator's tasks. Clearly, three separate sets of displays plus the ability to examine a memory location would be even more helpful to the operator.

We should note that, although we have emphasized human interaction, machine or system interaction has many of the same characteristics. The microprocessor should do the work. If complicating the microprocessor's task makes error recovery simple and the causes of failure obvious, the entire system will work better and be easier to maintain. Note that you should not leave consideration of system use and maintenance until the end of the software development process; instead, you should include it right in the problem definition stage.

### A Verification Terminal

**DEFINING A VERIFICATION TERMINAL**

Figure 13-4 is a block diagram of a simple credit-verification terminal. One input port derives data from a keyboard (see Figure 13-5); the other input port accepts verification data from a transmission line. One output port sends data to a set of displays (see Figure 13-6); another sends the credit card number to the central computer. A third output port turns on one light whenever the terminal is ready to accept an inquiry, and another light when the operator sends the information. The "Busy" light turns off when the response returns. Clearly, the input and output of data will be more complex than in the previous case, although the processing is still fairly simple.

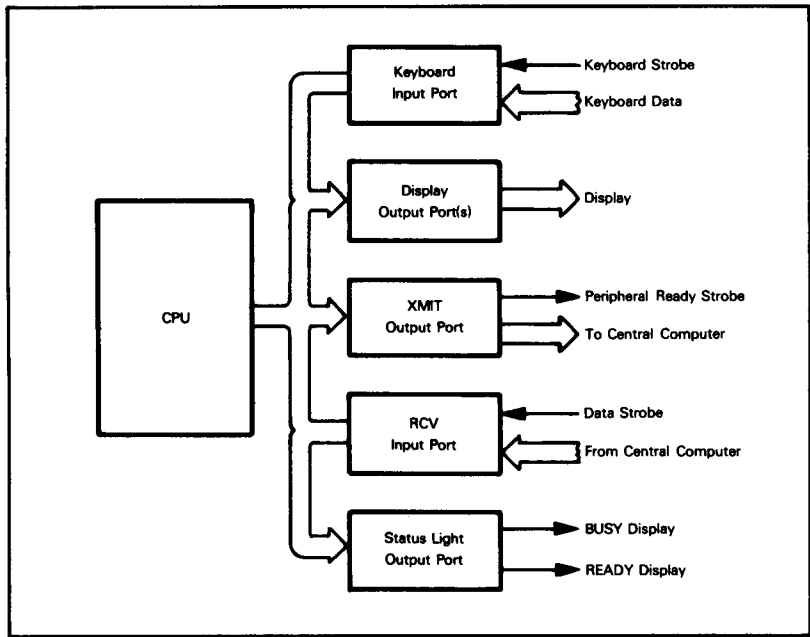


Figure 13-4. Block Diagram of a Verification Terminal

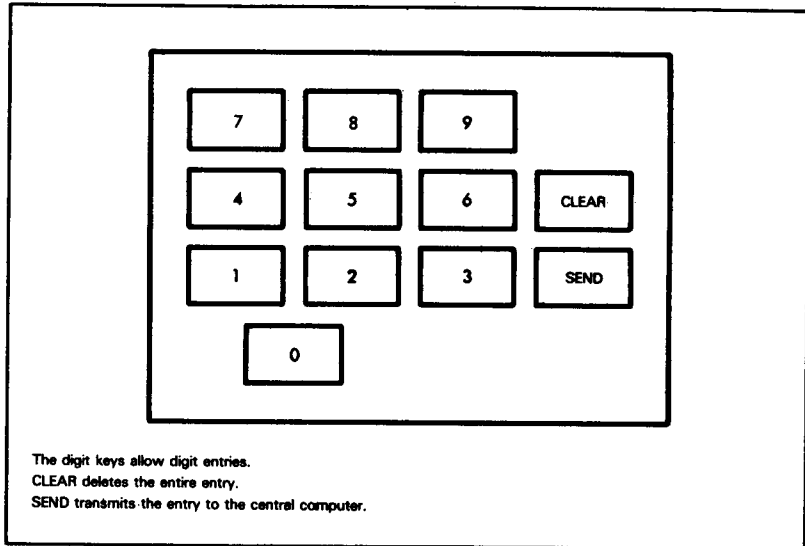


Figure 13-5. Verification Terminal Keyboard

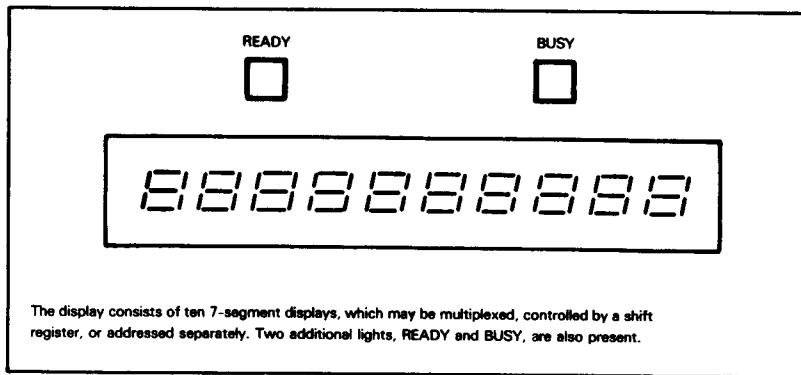


Figure 13-6. Verification Terminal Display

Additional displays may be useful to emphasize the meaning of the response. Many terminals use a green light for "Yes", a red light for "No", and a yellow light for "Consult Store Manager". Note that these lights will still have to be clearly marked with their meanings to handle the situation in which the operator is color-blind.

Let us first look at the keyboard input. This is, of course, different from the switch input since the CPU must have some way of distinguishing new data. We will assume that each key closure provides a unique hexadecimal code (we can code all the keys into one digit since there are 12 keys) and a strobe. The program will have to recognize the strobe and fetch the hexadecimal number that identifies the key. There is a time constraint, since the program cannot miss any data or strobes. The constraint is not serious, since keyboard entries will be at least several milliseconds apart.

**VERIFICATION  
 TERMINAL  
 INPUTS**

### 13-12 6800 Assembly Language Programming

The transmission input similarly consists of a series of characters, each identified by a strobe (perhaps from a UART). The program will have to recognize each strobe and fetch the character. The data being sent across the transmission lines is usually organized into messages. A possible message format is:

- 1) Introductory characters, or header.
- 2) Terminal destination address.
- 3) Coded yes or no.
- 4) Ending characters, or trailer.

The terminal will check the header, read the destination address, and see if the message is intended for it. If the message is for the terminal, the terminal accepts the data. The address could be (and often is) hard-wired into the terminal so that the terminal only receives messages intended for it. This approach simplifies the software at the cost of some flexibility.

The output is also more complex than in the earlier examples. If the displays are multiplexed, the processor must not only send the data to the display port but must also direct the data to a particular display. We will need either a separate control port or a counter and decoder to handle this. Note that hardware blanking controls can blank leading zeros as long as the first digit in a multi-digit number is never zero. Software can also handle this task. Time constraints include the pulse length and frequency required to produce an apparent continuous display for the operator.

**VERIFICATION  
TERMINAL  
OUTPUTS**

The communications output will consist of a series of characters with a particular format. The program will also have to consider the time required between characters. A possible format for the output message is:

- 1) Header.
- 2) Terminal address.
- 3) Credit card number.
- 4) Trailer.

A central communications computer may be used to poll the terminals, checking for data ready to be sent.

The processing in this system involves many new tasks, such as:

- 1) Identifying the control keys by number and performing the proper actions.
- 2) Adding the header and trailer to the outgoing message.
- 3) Recognizing the header and trailer in the returning message.
- 4) Checking the incoming terminal address.

Note that none of the tasks involve any complex arithmetic or any serious time or memory constraints.

The number of possible errors in this system is, of course, much larger than in the earlier examples. Let us first consider the possible operator errors. These include:

- 1) Entering the credit card number incorrectly.
- 2) Trying to send an incomplete credit card number.
- 3) Trying to send another number while the central computer is processing one.
- 4) Clearing non-existent entries.

**VERIFICATION  
TERMINAL  
ERROR  
HANDLING**

Some of these errors can be easily handled by correctly structuring the program. For example, the program should not accept the Send key until the credit card number has been completely entered, and it should ignore any additional keyboard entries until the

response comes back from the central computer. Note that the operator will know that the entry has not been sent, since the Busy light will not go on. The operator will also know when the keyboard has been locked out (the program is ignoring keyboard entries), since entries will not appear on the display and the Ready light will be off.

Incorrect entries are an obvious problem. If the operator recognizes an error, he or she can use the Clear key to make corrections. The operator would probably find it more convenient to have two Clear keys, one which cleared the most recent key and one which cleared the entire entry. This would allow both for the situation in which the operator recognizes the error immediately and for the situation in which the operator recognizes the error relatively late in the procedure. The operator should be able to correct errors immediately and have to repeat as few keys as possible. The operator will, however, make a certain number of errors without recognizing them. Most credit card numbers include a self-checking digit; the terminal could check the number before permitting it to be sent to the central computer. This step would save the central computer from wasting precious processing time checking the number.

### CORRECTING KEYBOARD ERRORS

This requires, however, that the terminal have some way of informing the operator of the error, perhaps by flashing one of the displays or by providing some other special indicator that the operator is sure to notice.

Still another problem is how the operator knows that an entry has been lost or processed incorrectly. Some terminals simply unlock after a maximum time delay. The operator notes that the Busy light has gone off without an answer being received. The operator is then expected to try the entry again. After one or two retries, the operator should report the failure to supervisory personnel.

Many equipment failures are also possible. Besides the displays, keyboard and processor, there now exist the problems of communications errors or failures and central computer failures.

The data transmission will probably have to include error checking and correcting procedures. Some possibilities are:

- 1) Parity provides an error detection facility but no correction mechanism. The receiver will need some way of requesting re-transmission, and the sender will have to save a copy of the data until proper reception is acknowledged. Parity is, however, very simple to implement.
- 2) Short messages may use more elaborate schemes. For example, the yes/no response to the terminal could be coded so as to provide error detection and correction capability.
- 3) An acknowledgment and a limited number of retries could trigger an indicator that would inform the operator of a communications failure (inability to transfer a message without errors) or central computer failure (no response at all to the message within a certain period of time). Such a scheme, along with the Lamp Test, would allow fairly simple failure diagnosis.

### CORRECTING TRANSMISSION ERRORS

A communications or central computer failure indicator should also "unlock" the terminal: i.e., allow it to accept another entry. This is necessary if the terminal will not accept entries while a verification is in progress. The terminal may also unlock after a certain maximum time delay. Certain entries could be reserved for diagnostics; i.e., certain credit card numbers could be used to check the internal operation of the terminal and test the displays.

## REVIEW OF PROBLEM DEFINITION

Problem definition is as important a part of software development as it is of any other engineering task. Note that it does not require any programming or knowledge of the

computer; rather, it is based on an understanding of the system and sound engineering judgment. Microprocessors can offer flexibility which the designer can use to provide a range of features which were not previously available.

Problem definition is independent of any particular computer, computer language or development system. It should, however, provide guidelines as to what type or speed of computer the application will require, and what kind of hardware/software trade-offs the designer can make. The problem definition stage is in fact independent of whether or not a computer is used at all, although a knowledge of the capabilities of the computer can help the designer in suggesting possible implementations of procedures.

## PROGRAM DESIGN

Program design is the stage in which the problem definition is formulated as a program. If the program is small and simple, this stage may involve little more than the writing of a one-page flowchart. If the program is larger or more complex, the designer should consider more elaborate methods.

We will discuss flowcharting, modular programming, structured programming and top-down design. We will try to indicate the reasoning behind these methods, and their advantages and disadvantages. We will not, however, advocate any particular method, since there is no evidence that one method is always superior to all others. You should remember that the goal is to produce a good working system, not to follow religiously the tenets of one methodology or another.

All the methodologies do, however, have some obvious principles in common. Many of these are the same principles that apply to any kind of design, such as:

- 1) Proceed in small steps. Do not try to do too much at one time.
- 2) Divide large jobs into small, logically separate tasks. Make the sub-tasks as independent of one another as possible, so that they can be tested separately and so that changes can be made in one without affecting the others.
- 3) Keep the flow of control as simple as possible so as to make it easier to find errors.
- 4) Use pictorial or graphic descriptions as much as possible. They are easier to visualize than word descriptions. This is the great advantage of flowcharts.
- 5) Emphasize clarity and simplicity at first. You can improve performance (if necessary) once the system is working.
- 6) Proceed in a thorough and systematic manner. Use checklists and standard procedures.
- 7) Do not tempt fate. Either do not use methods that you are not sure of, or use them very carefully. Watch for situations that might cause confusion, and clarify them as soon as possible.
- 8) Keep in mind that the system must be debugged, tested and maintained. Plan for these later stages.
- 9) Use simple and consistent terminology and methods. Repetitiveness is no fault in program design, nor is complexity a virtue.
- 10) Have your design completely formulated before you start coding. Resist the temptation to start writing down instructions; it makes no more sense than making parts lists or laying out circuit boards before you know exactly what will be in the system.
- 11) Be particularly careful of factors that may change. Make the implementation of likely changes as simple as possible.

**BASIC  
PRINCIPLES  
OF PROGRAM  
DESIGN**

## FLOWCHARTING

Flowcharting is certainly the best-known of all program design methods. Programming textbooks describe how programmers first write complete flowcharts and then start writing the actual program. In fact, few programmers have ever worked this way, and flowcharting has often been more of a joke or a nuisance to programmers than a design method. We will try to describe both the advantages and disadvantages of flowcharts, and show the place of this technique in program design.

The basic advantage of the flowchart is that it is a pictorial representation. People find such representations much more meaningful than written descriptions. The designer can visualize the whole system and see the relationships of the various parts. Logical errors and inconsistencies often stand out instead of being hidden in a printed page. At its best, the flowchart is a picture of the entire system.

### ADVANTAGES OF FLOWCHARTING

Some of the more specific advantages of flowcharts are:

- 1) Standard symbols exist (see Figure 13-7) so that flowcharting forms are widely recognized.
- 2) Flowcharts can be understood by someone without a programming background.
- 3) Flowcharts can be used to divide the entire project into sub-tasks. The flowchart can then be examined to measure overall progress.
- 4) Flowcharts show the sequence of operations and can therefore aid in locating the source of errors.
- 5) Flowcharting is a technique widely used in other areas besides programming.

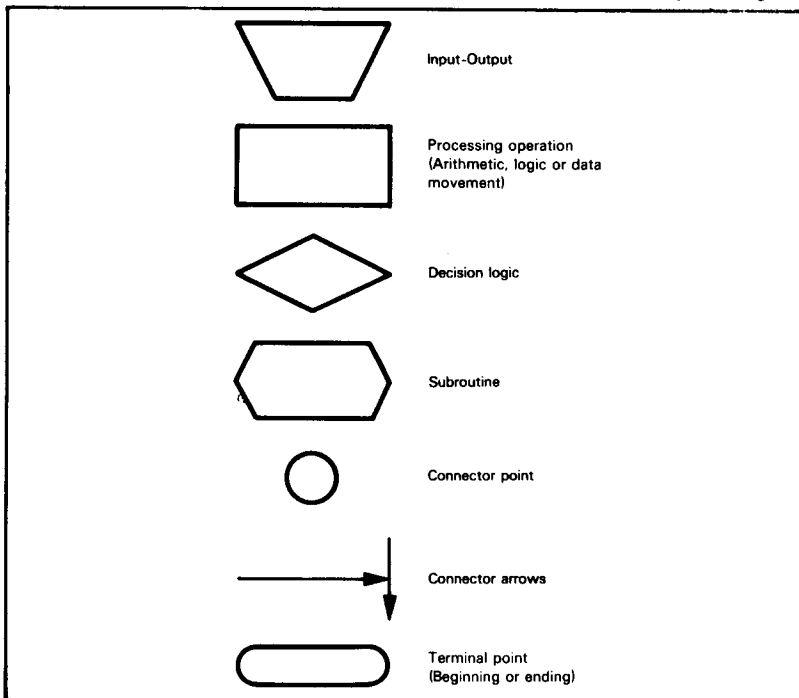


Figure 13-7. Standard Flowchart Symbols

These advantages are all important. There is no question that flowcharting will continue to be an important design technique. But we should stop and look at some of the disadvantages of flowcharting as a program design method, e.g.:

**DISADVANTAGES  
OF  
FLOWCHARTING**

- 1) Flowcharts are difficult to design, draw or change in all except the simplest situations.
- 2) There is no easy way to debug or test a flowchart.
- 3) Flowcharts tend to become cluttered. Designers find it difficult to balance between the amount of detail needed to make the flowchart useful and the amount which makes the flowchart little better than a program listing.
- 4) Flowcharts only show the program organization. They do not show the organization of the data or the structure of the input/output modules.
- 5) Flowcharts do not help with hardware or timing problems or give hints as to where these problems might occur.

Thus, flowcharting is a helpful technique which you should not try to extend too far. Flowcharts are useful as program documentation, since they have standard forms and are comprehensible to non-programmers. As a design tool, however, flowcharts cannot provide much more than a starting outline; the programmer cannot debug a detailed flowchart and the flowchart is often more difficult to design than the program itself.

## EXAMPLES

### Response to a Switch

This simple task, in which a single switch turns on a light for one second, is easy to flowchart. In fact, such tasks are typical examples for flowcharting books, although they form a small part of most systems. The data structure here is so simple that it can be safely ignored.

**FLOWCHARTING  
SWITCH AND  
LIGHT SYSTEM**

Figure 13-8 is the flowchart. There is little difficulty in deciding on the amount of detail required. The flowchart gives a straightforward picture of the procedure, which anyone could understand.

Note that the most useful flowcharts may ignore program variables and ask questions directly. Of course, compromises are often necessary here. Two versions of the flowchart are sometimes helpful — one general version in layman's language, which will be useful to non-programmers, and one programmer's version in terms of the program variables, which will be useful to other programmers.

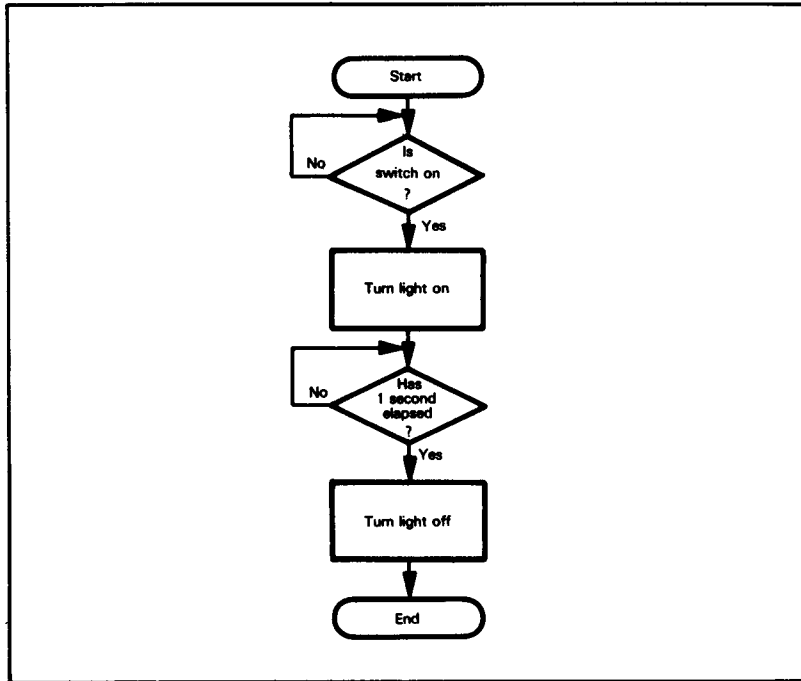


Figure 13-8. Flowchart of One-Second Response to a Switch

### The Switch-Based Memory Loader

This system (refer to Figure 13-3) is considerably more complex than the previous example, and involves many more decisions. The flowchart (see Figure 13-9) is more difficult to write and not as straightforward as the previous example. In this example, we run into the problem that there is no way to debug or test the flowchart.

**FLOWCHARTING  
THE SWITCH-  
BASED  
MEMORY LOADER**

The flowchart in Figure 13-9 includes the improvements we suggested as part of the problem definition. Clearly, this flowchart is beginning to get cluttered and lose its advantages over a written description. Adding other features which define the meaning of the entry with status lights and allow the operator to check entries after completion would make the flowchart even more complex. Writing the complete flowchart from scratch could quickly become a formidable task. However, once the program has been written, the flowchart is useful as documentation.

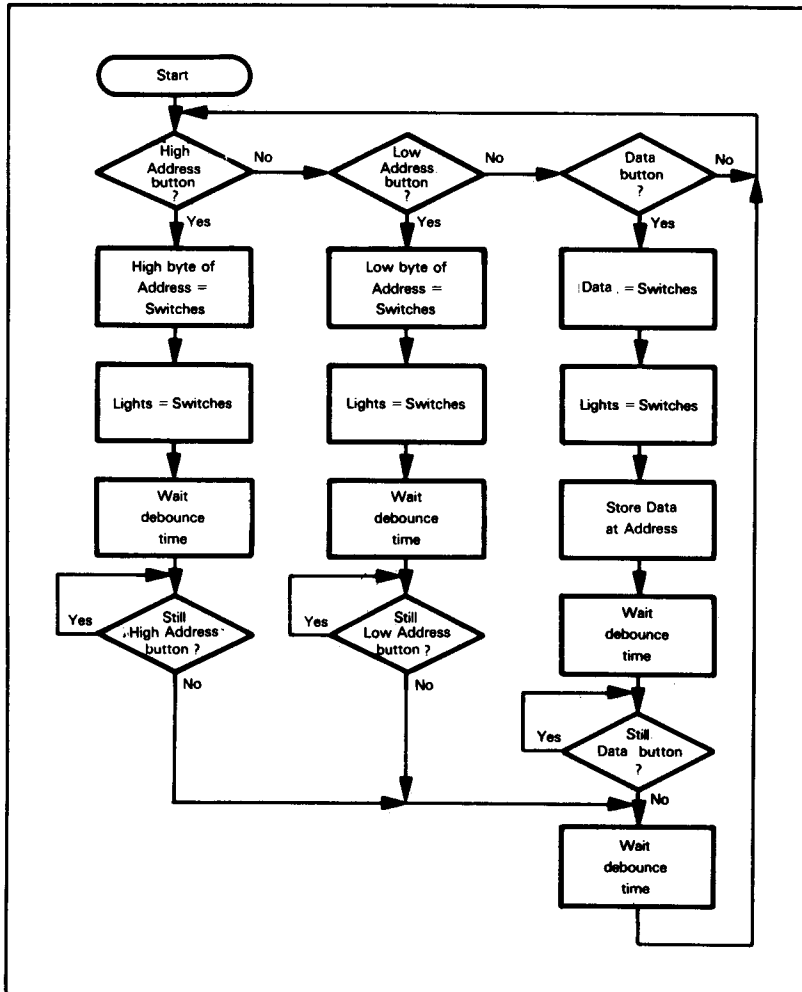


Figure 13-9. Flowchart of Switch-Based Memory Loader

### The Credit-Verification Terminal

In this application (see Figures 13-4 through 13-6), the flowchart will be even more complex than in the switch-based memory loader case. Here, the best idea is to flowchart sections separately so that the flowcharts remain manageable. However, the presence of data structures (as in the multi-digit display and the messages) will make the gap between flowchart and program much larger.

**FLOWCHARTING  
THE CREDIT  
VERIFICATION**

**FLOWCHARTING  
SECTIONS**

Let us look at some of the sections. Figure 13-10 shows the keyboard entry process for the digit keys. The program must fetch the data after each strobe and place the digit in the display array if there is room for it. If there are already ten digits in the array, the program simply ignores the entry.

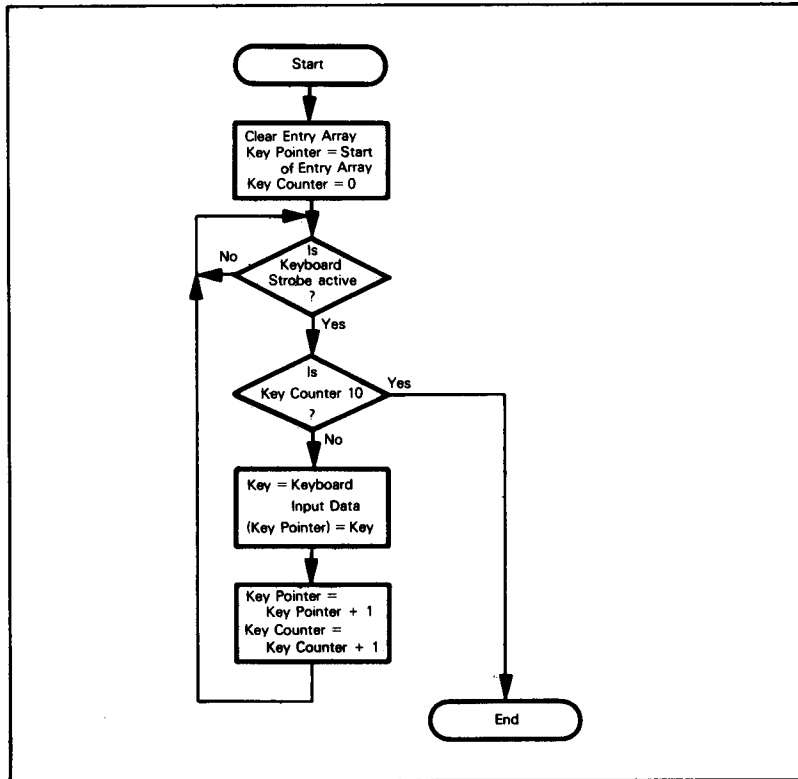


Figure 13-10. Flowchart of Keyboard Entry Process

13-20 6800 Assembly Language Programming

The actual program will have to handle the displays at the same time. Note that either software or hardware must de-activate the keyboard strobe after the processor reads a digit.

Figure 13-11 adds the Send key. This key, of course, is optional. The terminal could just send the data as soon as the operator enters a complete number. However, that procedure would not give the operator a chance to check the entire entry. The flowchart with the Send key is more complex because there are two alternatives:

- 1) If the operator has not entered ten digits, the program must ignore the Send key and place any other key in the entry.
- 2) If the operator has entered ten digits, the program must respond to the Send key by transferring control to the Send routine, and ignore all other keys.

Note that the flowchart has become much more difficult to organize and to follow. There is also no obvious way to check the flowchart.

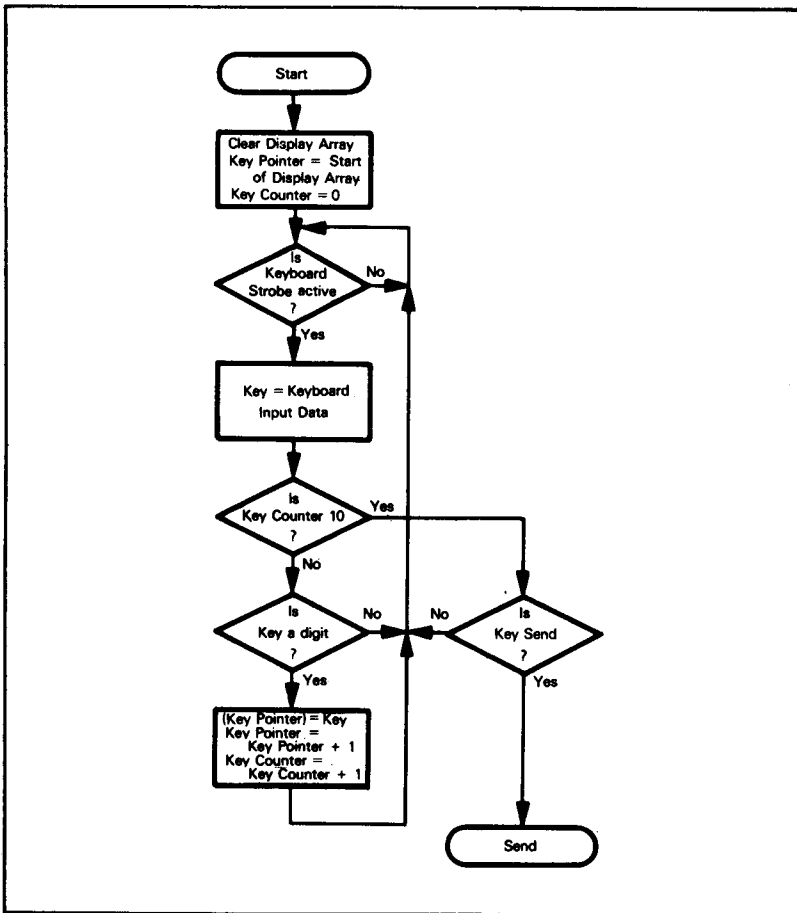


Figure 13-11. Flowchart of Keyboard Entry Process with Send Key

Figure 13-12 shows the flowchart of the keyboard entry process with all the function keys. In this example, the flow of control is by no means simple. Clearly, some written description is necessary. The organization and layout of complex flowcharts requires careful planning. We have followed the process of adding features to the flowchart one at a time, but this still results in a large amount of redrawing. Again we should remember that, throughout the keyboard entry process, the program must also refresh the displays if they are multiplexed and not controlled by shift registers or other hardware.

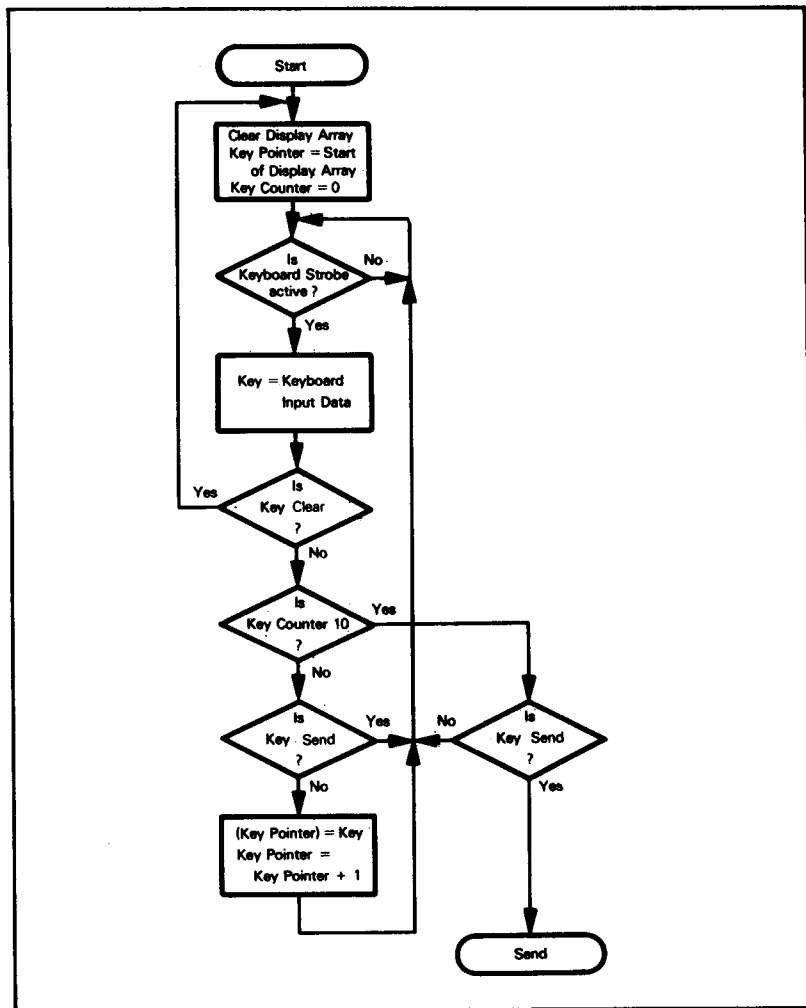


Figure 13-12. Flowchart of Keyboard Entry Process with Function Keys

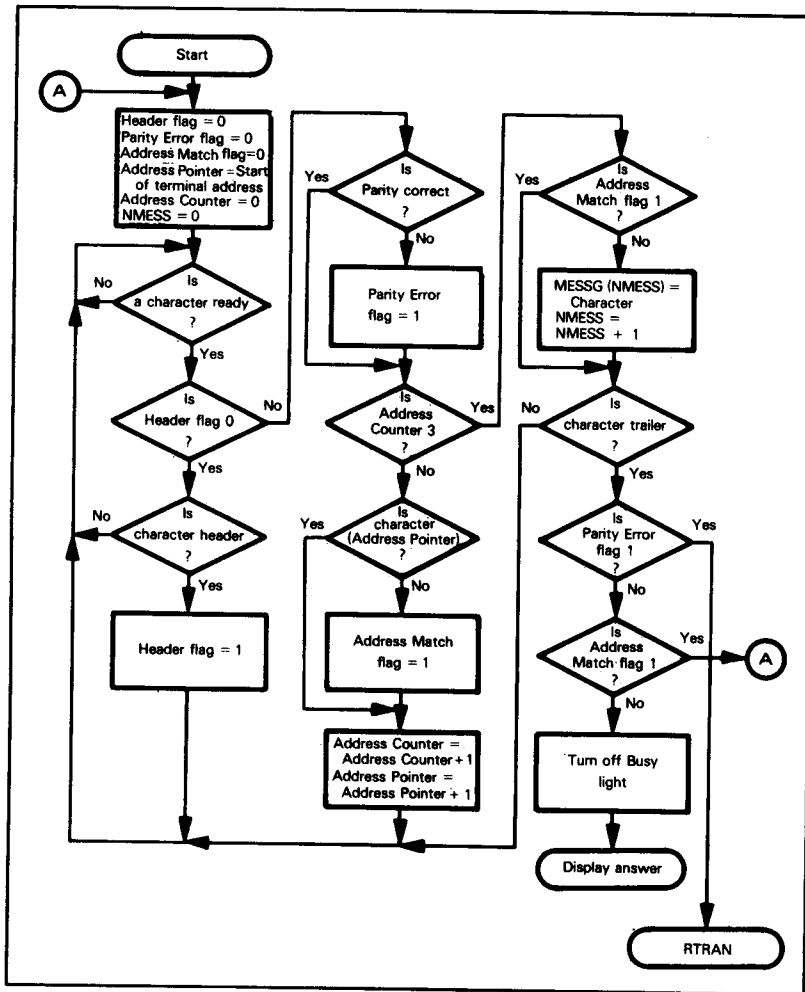


Figure 13-13. Flowchart of Receive Routine

Figure 13-13 is the flowchart of a receive routine. We assume that the serial/parallel conversion and error checking is done in hardware (e.g., by a UART). The processor must:

- 1) Look for the header (we assume that it is a single character).
- 2) Read the destination address (we assume that it is three characters long) and see if the message is meant for this terminal; i.e., if the three characters agree with the terminal address.
- 3) Wait for the trailer character.
- 4) If the message is meant for the terminal, turn off the Busy light and go to Display Answer routine.
- 5) In the event of any errors, request re-transmission by going to RTRAN routine.

This routine involves a large number of decisions, and the flowchart is neither simple nor obvious.

Clearly, we have come a long way from the simple flowchart (Figure 13-8) of the first example. A complete set of flowcharts for the transaction terminal would be a major task. It would consist of several inter-related charts with complex logic, and would require a large amount of effort. Such an effort would be just as difficult as writing a preliminary program, and not as useful, since you could not check it on the computer.

## MODULAR PROGRAMMING

Once programs become large and complex, flowcharting is no longer a satisfactory design tool. However, the problem definition and the flowchart can give you some idea as to how to divide the program into reasonable sub-tasks. The division of the entire program into sub-tasks or modules is called "modular programming". Clearly, most of the programs we presented in earlier chapters would typically be modules in a large system program. The problems that the designer faces in modular programming are how to divide the program into modules and how to put the modules together.

The advantages of modular programming are obvious:

- 1) A single module is easier to write, debug and test than an entire program.
- 2) A module is likely to be useful in many places and in other programs, particularly if it is reasonably general and performs a common task. You can build up a library of standard modules.
- 3) Modular programming allows the programmer to divide tasks and use previously written programs.
- 4) Changes can be incorporated into one module rather than into the entire system.
- 5) Errors can often be isolated and then attributed to a single module.
- 6) Modular programming gives an idea of how much progress has been made and how much of the work is left.

### ADVANTAGES OF MODULAR PROGRAMMING

The idea of modular programming is such an obvious one that its disadvantages are often ignored. These include:

- 1) Fitting the modules together can be a major problem, particularly if different people write the modules.
- 2) Modules require very careful documentation, since they may affect other parts of the program, such as data structures used by all the modules.
- 3) Testing and debugging modules separately is difficult, since other modules may produce the data used by the module being debugged and still other modules may use the results. You may have to write special programs (called "drivers") just to produce sample data and test the programs. These drivers require extra programming effort which adds nothing to the total system.
- 4) Programs may be very difficult to modularize in any reasonable way. If you modularize the program poorly, integration will be very difficult, since almost all errors and the resulting changes will involve several modules.
- 5) Modular programs often require extra time and memory, since the separate modules may repeat functions.

### DISADVANTAGES OF MODULAR PROGRAMMING

Therefore, while modular programming is certainly an improvement over simply trying to write the entire program from scratch, it does have some disadvantages as well.

Important considerations include restricting the amount of information shared by modules, limiting design decisions that are subject to change to a single module and restricting the access of one module to another. D.L. Parnas (see the References) has been a leader in the area of modular programming.

## EXAMPLES

### Response to a Switch

This simple program can be divided into two modules:

Module 1 waits for the switch to be turned on and turns the light on in response.

Module 2 provides the one-second delay.

Module 1 is likely to be specific to the system, since it will depend on how the switch and light are attached. Module 2 will be generally useful, since many tasks require delays. Clearly, it would be advantageous to have a standard delay module which could provide delays of varying lengths. The module will require careful documentation so that you will know how to specify the length of the delay, how to call the module, and what registers and memory locations the module affects.

A general version of Module 1 would be far less useful, since it would have to deal with different types and connections of switches and lights.

You would probably find it simpler to write a module for a particular configuration of switches and lights rather than try to use a standard routine. Note the difference between this situation and Module 2.

**MODULARIZING  
THE SWITCH  
AND LIGHT  
SYSTEM**

### The Switch-Based Memory Loader

The switch-based memory loader is difficult to modularize, since all the programming tasks depend on the hardware configuration and the tasks are so simple that modules hardly seem worthwhile. The flowchart in Figure 13-9 suggests that one module might be the one that waits for the operator to press one of the three pushbuttons.

Some other modules might be:

- 1) A delay module that provides the delay required to debounce the switches.
- 2) A switch and display module that reads the data from the switches and sends it to the displays.
- 3) A Lamp Test module.

Highly system-dependent modules such as the last two are unlikely to be generally useful. This example is not one in which modular programming offers great advantages.

### The Verification Terminal

The verification terminal, on the other hand, lends itself very well to modular programming. The entire system can easily be divided into three main modules:

- 1) Keyboard and display module.
- 2) Data transmission module.
- 3) Data reception module.

A general keyboard and display module could handle many keyboard- and display-based systems. The sub-modules would perform such tasks as:

- 1) Recognizing a new keyboard entry and fetching the data.
- 2) Clearing the array in response to a Clear key.
- 3) Entering digits into storage.
- 4) Looking for the terminator or Send key.
- 5) Displaying the digits.

**MODULARIZING  
THE SWITCH-  
BASED MEMORY  
LOADER**

**MODULARIZING  
THE  
VERIFICATION  
TERMINAL**

Although the key interpretations and the number of digits will vary, the basic entry, data storage and data display processes will be the same for many programs. Such function keys as Clear would also be standard. Clearly, the designer must consider which modules will be useful in other applications, and pay careful attention to those modules.

The data transmission module could also be divided into such sub-modules as:

- 1) Adding the header character.
- 2) Transmitting characters as the output line can handle them.
- 3) Generating delay times between bits or characters.
- 4) Adding the trailer character.
- 5) Checking for transmission failures; i.e., no acknowledgment or inability to transmit without errors.

The data reception module could include sub-modules which:

- 1) Look for the header character.
- 2) Check the message destination address against the terminal address.
- 3) Store and interpret the message.
- 4) Look for the trailer character.
- 5) Generate bit or character delays.

## REVIEW OF MODULAR PROGRAMMING

Modular programming can be very helpful if you abide by the following rules:

**RULES FOR  
MODULAR  
PROGRAMMING**

- 1) Use modules of 20 to 50 lines. Shorter modules are usually a waste of time, while longer modules are seldom general and may be difficult to integrate.
- 2) Try to make modules reasonably general. Differentiate between common features like ASCII code or asynchronous transmission formats, which will be the same for many applications and key identifications, and number of displays or number of characters in a message, which are likely to be unique to a particular application. Make the changing of the latter parameters simple. Major changes like different character codes should be handled by separate modules.
- 3) Take extra time on modules like delays, display handlers, keyboard handlers, etc., which will be useful in other projects or in many different places in the present program.
- 4) Try to keep modules as distinct and logically separate as possible.
- 5) Do not try to modularize simple tasks where rewriting the entire task may be easier than assembling or modifying the module.

Note here how important it is that each design decision (such as the bit rate, message format, or error-checking procedure) be implemented in only one module. A change in any of these decisions will then only require changes to that single module.

**INFORMATION-  
HIDING  
PRINCIPLE**

The other modules should be written so that they are totally unaware of the values chosen or the methods used in the implementing module. An important concept here is Parnas' "information-hiding principle", whereby modules only share information that is absolutely essential to getting the task done. Other information is hidden within a single module.

## STRUCTURED PROGRAMMING

How do you keep modules distinct and stop them from interacting with one another?  
How do you write a program which has a clear sequence of operations so that you can

isolate and correct errors? One answer is to use the methods known as "structured programming", whereby each part of the program consists of elements from a limited set of structures and each structure has a single entry and a single exit.

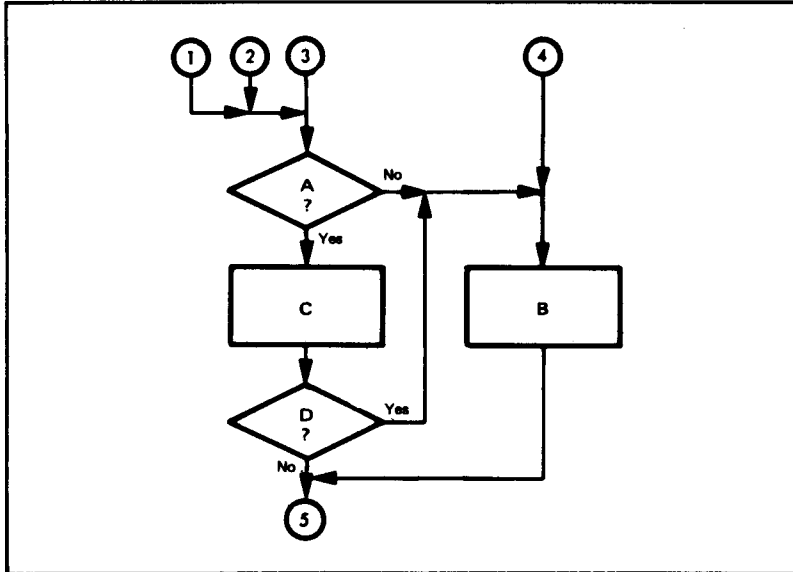


Figure 13-14. Flowchart of an Unstructured Program

Figure 13-14 shows a flowchart of an unstructured program. If an error occurs in Module B, we have five possible sources for that error. Not only must we check each possible sequence, but we also have to make sure that any changes made to correct the error do not affect any of the other sequences. The usual result is that debugging the program becomes like trying to hang on to an octopus. Every time you think the situation is under control, there is another loose tentacle somewhere.

The answer to this problem is to establish a clear sequence of operations so that you can isolate errors. Such a clear sequence uses single-entry, single-exit modules. The basic modules that are needed are:

**BASIC  
STRUCTURES  
OF  
STRUCTURED  
PROGRAMMING**

- 1) An ordinary sequence; i.e., a linear structure in which statements or structures are executed consecutively. In the sequence:  
P1  
P2  
P3

the computer executes P1 first, P2 second and P3 third. P1, P2 and P3 may be single instructions or entire programs.

- 2) A conditional structure.  
 The common one is "if A then P1 else P2", where A is a condition and P1 and P2 are programs. The computer executes P1 if A is true, and P2 if A is false. Figure 13-15 shows the logic of this structure. Note that the structure has a single entry and a single exit; there is no way to enter or leave P1 or P2 other than through the structure.
- 3) A loop structure.  
 The common loop structure is "do P while A", where A is a condition and P is a program. The computer checks A and executes P if A is true. This structure (see Figure 13-16) also has a single entry and a single exit. Note that the computer will not execute P at all if A is originally false, since the value of A is checked before the execution of P.

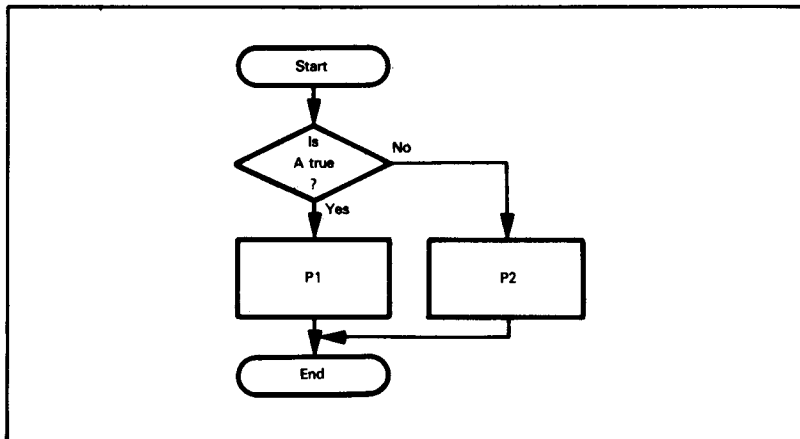


Figure 13-15. Flowchart of the If-Then-Else Structure

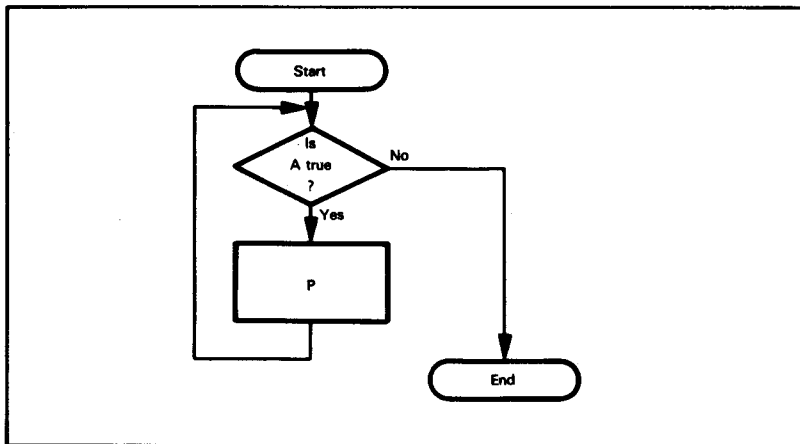


Figure 13-16. Flowchart of the Do-While Structure

### 13-28 6800 Assembly Language Programming

Note the following features of structured programming:

- 1) Only the three basic structures are permitted.
- 2) Structures may be nested to any level of complexity so that any program can, in turn, contain any of the structures.
- 3) Each structure has a single entry and a single exit.

Some examples of the conditional structure illustrated in Figure 13-15 are:

#### EXAMPLES OF STRUCTURES

- 1) P2 included:

```
if X ≥ 0 then NPOS = NPOS+1
else NNEG = NNEG+1
```

Both P1 and P2 are single statements.

- 2) P2 omitted:

```
if X ≠ 0 then Y = 1/X
```

Here no action is taken if A ( $X \neq 0$ ) is false. P2 and "else" can be omitted in this case.

Some examples of the loop structure illustrated in Figure 13-16 are:

- 1) Form the sum of integers from 1 to N.

```
I = 0
SUM = 0
do while I < N
  I = I+1
  SUM = SUM+I
end
```

The computer executes the loop as long as  $I < N$ . If  $N = 0$ , the program within the "do-while" is not executed at all.

- 2) Count characters in an array SENTENCE until you find an ASCII period.

```
NCHAR = 0
do while SENTENCE (NCHAR) ≠ PERIOD
  NCHAR = NCHAR+1
end
```

The computer executes the loop as long as the character in SENTENCE is not an ASCII period. The count is zero if the first character is a period.

The advantages of structured programming are:

#### ADVANTAGES OF STRUCTURED PROGRAMMING

- 1) The sequence of operations is simple to trace. This allows you to test and debug easily.
- 2) The number of structures is limited and the terminology is standardized.
- 3) The structures can easily be made into modules.
- 4) Theoreticians have proved that the given set of structures is complete; that is, all programs can be written in terms of the three structures.
- 5) The structured version of a program is partly self-documenting and fairly easy to read.
- 6) Structured programs are easy to describe with flowcharts or other graphic methods.
- 7) Structured programming has been shown in practice to increase programmer productivity.

Structured programming basically forces much more discipline on the programmer than does modular programming. The result is more systematic and better-organized programs.

The disadvantages of structured programming are:

**DISADVANTAGES OF STRUCTURED PROGRAMMING**

- 1) Only a few high-level languages (e.g., PL/M, PASCAL) will directly accept the structures. The programmer therefore has to go through an extra translation stage to convert the structures to assembly language code. The structured version of the program, however, is often useful as documentation.
- 2) Structured programs often execute slower and use more memory than unstructured programs.
- 3) Limiting the structures to the three basic forms makes some tasks very awkward to perform. The completeness of the structures only means that all programs can be implemented with them; it does not mean that a given program can be implemented efficiently or conveniently.
- 4) The standard structures are often quite confusing; e.g., nested "if-then-else" structures may be very difficult to read since there may be no clear indication of where the inner structures inside end. A series of nested "do-while" loops can also be difficult to read.
- 5) Structured programs only consider the sequence of program operations, not the flow of data. Therefore, the structures may handle data awkwardly.
- 6) Few programmers are accustomed to structured programming. Many find the standard structures awkward and restrictive.

We are neither advocating nor discouraging the use of structured programming. It is one way of systematizing program design. In general, it is most useful in the following situations:

**WHEN TO USE STRUCTURED PROGRAMMING**

- 1) Larger programs, perhaps exceeding 1000 instructions.
- 2) Applications in which memory usage is not critical.
- 3) Low-volume applications where software development costs, particularly testing and debugging, are important factors.
- 4) Applications that do not involve complex data structures.
- 5) Applications involving string manipulation, process control or other algorithms, rather than simple bit manipulations.
- 6) Applications where a high-level language is being used.

In the future we expect the cost of memory to decrease, the average size of microprocessor programs to increase, and the cost of software development to increase. Therefore, methods like structured programming, which decrease software development costs for larger programs but use more memory, will become more valuable.

**EXAMPLES**

**Response to a Switch**

The structured version of this example is:

```

SWITCH = OFF
do while SWITCH = OFF
  READ SWITCH
end
LIGHT = ON
DELAY 1
LIGHT = OFF
    
```

**STRUCTURED PROGRAMMING IN THE SWITCH AND LIGHT SYSTEM**

ON and OFF must have the proper definitions for the switch and light. We assume that DELAY is a module that provides a delay given by its parameter in seconds.

A statement in a structured program may actually be a subroutine. However, in order to conform to the rules of structured programming, the subroutine cannot have any exits other than the one that returns control to the main program.

Since "do-while" checks the condition before executing the loop, we set the variable SWITCH to OFF before starting. The structured program is straightforward, readable, and easy to check by hand. However, it would probably require somewhat more memory than an unstructured program, which would not have to initialize SWITCH and could combine the reading and checking procedures.

### The Switch-Based Memory Loader

The switch-based memory loader is a more complex structured programming problem. We may implement the flowchart of Figure 13-9 as follows (an \* indicates a comment):

|                                                                                         |
|-----------------------------------------------------------------------------------------|
| <p><b>STRUCTURED<br/>PROGRAMMING<br/>FOR THE<br/>SWITCH-BASED<br/>MEMORY LOADER</b></p> |
|-----------------------------------------------------------------------------------------|

```

*
*INITIALIZE VARIABLES
*
HIADDRESS = 0
LOADADDRESS = 0
*
*THIS PROGRAM USES A DO-WHILE CONSTRUCT WITH NO CONDITION
*(CALLED SIMPLY DO-FOREVER). THEREFORE, THE SYSTEM CONTINUALLY
*EXECUTES THE PROGRAM CONTAINED IN THIS DO-WHILE LOOP.
*
do forever
*
*TEST FOR HIADDRESS BUTTON; PERFORM THE REQUIRED PROCESSING
*IF IT IS ON.
*
    if HIADDRBUTTON = 1 then begin
        HIADDRESS = SWITCHES
        LIGHTS = SWITCHES
        DELAY (DEBOUNCETIME)
        do while HIADDRBUTTON = 1
            DELAY (DEBOUNCETIME)
        end
    end
*
*TEST FOR LOADADDRESS BUTTON; PERFORM LOW ADDRESS PROCESSING
*IF IT IS ON.
*
    if LOADDRBUTTON = 1 then begin
        LOADADDRESS = SWITCHES
        LIGHTS = SWITCHES
        DELAY (DEBOUNCETIME)
        do while LOADDRBUTTON = 1
            DELAY (DEBOUNCETIME)
        end
    end
end
end

```

```

*
*TEST FOR DATABUTTON, AND STORE DATA INTO MEMORY
*IF IT IS ON
*
  if DATABUTTON = 1 then begin
    DATA = SWITCHES
    LIGHTS = SWITCHES
    (HIADDRESSLOADADDRESS) = DATA
    DELAY (DEBOUNCETIME)
    do while DATABUTTON = 1
      DELAY (DEBOUNCETIME)
    end
  end
end
*
*THE ABOVE END TERMINATES THE
* do forever LOOP.
*

```

Structured programs are not easy to write, but they can give a great deal of insight into the overall program logic. You can check the logic of the structured program by hand before writing any actual code.

### The Credit-Verification Terminal

Let us look at the keyboard entry for the transaction terminal. We will assume that the display array is ENTRY, the keyboard strobe is KEYSTROBE, and the keyboard data is KEYIN. The structured program without the function keys is:

```

NKEYS = 10
*
*CLEAR ENTRY TO START
*
  do while NKEYS > 0
    NKEYS = NKEYS - 1
    ENTRY(NKEYS) = 0
  end
*
*FETCH A COMPLETE ENTRY FROM KEYBOARD
*
  do while NKEYS < 10
    if KEYSTROBE = ACTIVE then begin
      KEYSTROBE = INACTIVE
      ENTRY(NKEYS) = KEYIN
      NKEYS = NKEYS+1
    end
  end
end

```

|                                                                                 |
|---------------------------------------------------------------------------------|
| <b>STRUCTURED<br/>PROGRAM FOR<br/>THE CREDIT-<br/>VERIFICATION<br/>TERMINAL</b> |
|---------------------------------------------------------------------------------|

|                                            |
|--------------------------------------------|
| <b>STRUCTURED<br/>KEYBOARD<br/>ROUTINE</b> |
|--------------------------------------------|

Adding the SEND key means that the program must ignore extra digits after it has a complete entry, and must ignore the SEND key until it has a complete entry. The structured program is:

```

NKEYS = 10
*
*CLEAR ENTRY TO START
*
  do while NKEYS > 0
    NKEYS = NKEYS - 1
    ENTRY(NKEYS) = 0
  end
end

```

### 13-32 6800 Assembly Language Programming

```
•
*WAIT FOR COMPLETE ENTRY FOLLOWED BY SEND KEY
•
  do while KEY ≠ SEND OR NKEYS ≠ 10
    if KEYSTROBE = ACTIVE then begin
      KEYSTROBE = INACTIVE
      KEY = KEYIN
    •
  *SAVE DIGIT IF ENTRY NOT ALREADY COMPLETE
  •
    if NKEYS ≠ 10 AND KEY ≠ SEND then begin
      ENTRY(NKEYS) = KEY
      NKEYS = NKEYS+1
    end
  end
end
```

Note the following features of this structured program:

- 1) The second if-then is nested within the first one since keys are only entered after a strobe is recognized. If the second if-then were on the same level as the first, a single key could fill the entry, since its value would be entered into the array during each iteration of the do-while loop.
- 2) KEY need not be defined initially, since NKEY is set to zero as part of the clearing of the entry.

Adding the CLEAR key allows the program to clear the entry originally by simulating the pressing of CLEAR; i.e., by setting NKEYS to 10 and KEY to CLEAR before starting. The structured program must also only clear digits which have previously been filled. The new structured program is:

```
•
*SIMULATE COMPLETE CLEARING
•
NKEYS = 10
KEY = CLEAR
•
*WAIT FOR COMPLETE ENTRY AND SEND KEY
•
do while KEY ≠ SEND OR NKEYS ≠ 10
•
*CLEAR WHOLE ENTRY IF CLEAR KEY STRUCK
•
  if KEY = CLEAR then begin
    KEY = 0
    do while NKEYS > 0
      NKEYS = NKEYS - 1
      ENTRY(NKEYS) = 0
    end
  end
end
```

```

•
*GET DIGIT IF ENTRY INCOMPLETE
•
  if KEYSTROBE = ACTIVE then begin
    KEYSTROBE = INACTIVE
    KEY = KEYIN
    if KEY < 10 AND NKEYS ≠ 10 then begin
      ENTRY(NKEYS) = KEY
      NKEYS = NKEYS+1
    end
  end
end
end

```

Note that the program resets KEY to zero after clearing the array, so that the operation is not repeated.

We can similarly build a structured program for the receive routine. An initial program could just look for the header and trailer characters. We will assume that RSTB is the indicator that a character is ready. The structured program is:

|                                           |
|-------------------------------------------|
| <b>STRUCTURED<br/>RECEIVE<br/>ROUTINE</b> |
|-------------------------------------------|

```

•
*CLEAR HEADER FLAG TO START
•
HFLAG = 0
•
*WAIT FOR HEADER AND TRAILER
•
do while HFLAG = 0 OR CHAR ≠ TRAILER
•
*GET CHARACTER IF READY, LOOK FOR HEADER
•
  if RSTB = ACTIVE then begin
    RSTB = INACTIVE
    CHAR = INPUT
    if CHAR = HEADER then
      HFLAG = 1
    end
  end
end

```

### 13-34 6800 Assembly Language Programming

Now we can add the section that checks the message address against the three digits in TERMINAL ADDRESS (TERMADDR). If any of the corresponding digits are not equal, the ADDRESS MATCH flag (ADDRMATCH) is set to 1.

```
*
* CLEAR HEADER FLAG, ADDRESS MATCH FLAG, ADDRESS COUNTER TO START
*
HFLAG = 0
ADDRMATCH = 0
ADDRCTR = 0
*
* WAIT FOR HEADER, DESTINATION ADDRESS AND TRAILER
*
do while HFLAG = 0 OR CHAR ≠ TRAILER OR ADDRCTR ≠ 3
*
* GET CHARACTER IF READY
*
  if RSTB = ACTIVE then begin
    RSTB = INACTIVE
    CHAR = INPUT
  end
*
* CHECK FOR TERMINAL ADDRESS AND HEADER
*
  if HFLAG = 1 AND ADDRCTR ≠ 3 then
    if CHAR ≠ TERMADDR(ADDRCTR) then begin
      ADDRMATCH = 1
      ADDRCTR = ADDRCTR+1
    if CHAR = HEADER then HFLAG = 1
    end
```

The program must now wait for a header, a three-digit identification code, and a trailer. You must be careful of what happens during the iteration when the program finds the header, and of what happens if an erroneous identification code character is the same as the trailer.

A further addition can store the message in MESSG. NMESS is the number of characters in the message; if it is not zero at the end, the program knows that the terminal has received a valid message. We have not tried to minimize the logic expressions in this program.

```
*
* CLEAR FLAGS, COUNTERS TO START
*
HFLAG = 0
ADDRMATCH = 0
ADDRCTR = 0
NMESS = 0
*
* WAIT FOR HEADER, DESTINATION ADDRESS AND TRAILER
*
do while HFLAG = 0 OR CHAR ≠ TRAILER OR ADDRCTR ≠ 3
*
* GET CHARACTER IF READY
*
  if RSTB = ACTIVE then begin
    RSTB = INACTIVE
    CHAR = INPUT
  end
```

```

*
*READ MESSAGE IF DESTINATION ADDRESS = TERMINAL ADDRESS
*
  if HFLAG = 1 AND ADDRCTR = 3 then
    if ADDRMATCH = 0 AND CHAR ≠ TRAILER then begin
      MESSG(NMESS) = CHAR
      NMESS = NMESS+1
    end
  end
*CHECK FOR TERMINAL ADDRESS
*
  if HFLAG = 1 AND ADDRCTR ≠ 3 then
    if CHAR ≠ TERMADDR(ADDRCTR) then begin
      ADDRMATCH = 1
      ADDRCTR = ADDRCTR+1
    end
  end
*LOOK FOR HEADER
*
  if CHAR = HEADER then HFLAG = 1
end

```

The program only checks for the identification code if it found a header during a previous iteration. It only accepts the message if it has previously found a header and a complete, matching destination address. The program must work properly during the iterations when it finds the header, the trailer and the last digit of the destination address. It must not try to match the header with the terminal address or place the trailer or the final digit of the destination address in the message. You might try adding the rest of the logic from the flowchart (Figure 13-13) to the structured program. Note that the order of operations is often critical. You must be sure that the program does not complete one phase and start the next one during the same iteration.

## REVIEW OF STRUCTURED PROGRAMMING

Structured programming brings discipline to program design. It forces you to limit the types of structures you use and the sequence of operations. It provides single-entrance, single-exit structures which you can check for logical accuracy. Structured programming often makes the designer aware of inconsistencies or possible combinations of inputs. Structured programming is not a cure-all, but it does bring some order into a process that can be chaotic. The structured program should also aid in debugging, testing and documentation.

Structured programming is not simple. The programmer must not only define the problem adequately, but must also work through the logic carefully. This is tedious and difficult, but it can result in a clearly written, working program.

The particular structures we have presented are not ideal and are often awkward. In addition, it can be difficult to distinguish where one structure ends and another begins, particularly if they are nested. Theorists may provide better structures in the future, or designers may wish to add some of their own. Some kind of terminator for each structure seems necessary, since indenting does not always clarify the situation. "End" is a logical terminator for the "do-while" loop. There is no obvious terminator, however, for the "if-then-else" statement; some theorists have suggested "endif" or "fi" ("if" backwards), but these are both awkward and do not contribute to the readability of the program.

|                                           |
|-------------------------------------------|
| <b>TERMINATORS<br/>FOR<br/>STRUCTURES</b> |
|-------------------------------------------|

We suggest the following rules for applying structured programming:

**RULES FOR  
STRUCTURED  
PROGRAMMING**

- 1) Begin by writing a basic flowchart to help define the logic of the program.
- 2) Start with the "if-then-else" and "do-while" constructs. They are known to be a complete set, i.e., any program can be written in terms of these structures.
- 3) Indent each level a few spaces from the previous level, so that you will know which statements belong where.
- 4) Use terminators for each structure; e.g., "end" for the "do-while" and "endif" or "fi" for the "if-then-else". The terminators plus the indentation should make the program reasonably clear.
- 5) Emphasize simplicity and readability. Leave lots of spaces, use meaningful names, and make expressions as clear as possible. Do not try to minimize the logic at the cost of clarity.
- 6) Comment the program in an organized manner.
- 7) Check the logic. Try all the extreme cases or special conditions and a few sample cases. Any logical errors you find at this level will not return to plague you later.

**TOP-DOWN DESIGN**

The remaining problem is how to check and integrate modules or structures. Certainly we want to divide a large task into sub-tasks. But how do we check the sub-tasks in isolation and put them together? The standard procedure, called "bottom-up design", requires extra work in testing and debugging and leaves the entire integration task to the end. What we need is a method that will allow testing and debugging to occur in the actual program environment and will subdivide the system integration into a series of modular tasks.

**BOTTOM-UP  
DESIGN**

This method is "top-down design". Here we start by writing the overall supervisor program. We replace the undefined sub-programs by program "stubs", temporary programs which may either record the entry, provide the answer to a selected test problem, or do nothing. We then test the supervisor program to see that its logic is correct.

**TOP-DOWN  
DESIGNED  
METHODS**

**PROGRAM  
STUBS**

**EXPANDING  
PROGRAM  
STUBS**

**ADVANTAGES  
OF  
TOP-DOWN  
DESIGN**

We proceed by expanding the stubs. Each stub will often contain sub-tasks, which we will temporarily represent as stubs. This process of expansion, debugging and testing continues until all the stubs are replaced by working programs. Note that testing and integration occur at each level, rather than all at the end. No special driver or data generation programs are necessary. We get a clear idea of exactly where we are in the design. Top-down design assumes modular programming, and is compatible with structured programming as well.

The disadvantages of top-down design are:

- 1) The overall design may not mesh well with system hardware.
- 2) It may not take good advantage of existing software.
- 3) A suitable stub may be difficult to write, particularly if the same stub must work correctly in several different places.
- 4) Top-down design may not result in generally useful modules.
- 5) Errors at the top level can have catastrophic effects, whereas errors in bottom-up design are usually limited to a particular module.

**DISADVANTAGES  
OF  
TOP-DOWN  
DESIGN**

In large programming projects, top-down design has been shown to greatly improve programmer productivity. However, almost all of these projects have used some bottom-up design in cases where the top-down method would have resulted in a large amount of extra work.

Top-down design is a useful tool that should not be followed to extremes. It provides the same discipline for system testing and integration that structured programming provides for module design. The method, however, has more general applicability since it does not really assume the use of programmed logic. However, top-down design may not result in the most efficient implementation.

## EXAMPLES

### Response to a Switch

The first structured programming example actually demonstrates top-down design as well. The program was:

```
SWITCH = OFF
do while SWITCH = OFF
  READ SWITCH
end
LIGHT = ON
DELAY 1
LIGHT = OFF
```

**TOP-DOWN  
DESIGN  
OF SWITCH  
AND LIGHT  
SYSTEM**

Almost all of these statements are really stubs, since none of them is fully defined. For example, what does READ SWITCH mean? If the switch were one bit of input port SPORT, it really means

```
SWITCH = SPORT AND SMASK
```

where SMASK has a '1' bit in the appropriate position.

Similarly, DELAY 1 actually means (if the processor itself provides the delay):

```
REG = COUNT
do while REG ≠ 0
  REG = REG - 1
end
```

COUNT is the appropriate number to provide a one-second delay. The expanded version of the program is:

```
SWITCH = 0
do while SWITCH = 0
  SWITCH = SPORT AND MASK
end
LIGHT = ON
REG = COUNT
do while REG ≠ 0
  REG = REG - 1
end
LIGHT = NOT (LIGHT)
```

Certainly this program is more explicit, and could more easily be translated into actual instructions or statements.

### The Switch-Based Memory Loader

This example is more complex than the first example, so that we must proceed more systematically. Here again, the structured program really contains stubs.

For example, if the HIGH ADDRESS button is one bit of input port CPORT, "if HIADDRBUTTON = 1" really means:

**TOP-DOWN  
DESIGN OF  
SWITCH-BASED  
MEMORY  
LOADER**

- 1) Input from CPORT.
- 2) Complement.
- 3) Logical AND with HAMASK;

where HAMASK has a '1' in the appropriate bit position and '0s' elsewhere. Similarly, the condition "if DATABUTTON = 1" really means:

- 1) Input from CPORT.
- 2) Complement.
- 3) Logical AND with DAMASK.

So, the initial stubs could just assign values to the buttons, e.g.,

```
HIADDRBUTTON = 0
LOADDRBUTTON = 0
DATABUTTON = 0
```

A run of the supervisor program should show that it takes the implied "else" path through the "if-then-else" structures, and never reads the switches. Similarly, if the stub were

```
HIADDRBUTTON = 1
```

the supervisor program should stay in the "do while HIADDRBUTTON = 1" loop waiting for the button to be released. These simple runs check the overall logic.

Now we can start expanding each stub and seeing if the expansion produces a reasonable overall result. Note how debugging and testing proceed in a straightforward and modular manner. We expand the HIADDRBUTTON = 1 stub to

```
READ CPORT
HIADDRBUTTON = NOT (CPORT) AND HAMASK
```

The program should wait for the HIGH ADDRESS button to be closed. The program should then display the values of the switches on the lights. This run checks for the proper response to the HIGH ADDRESS button.

We then expand the LOW ADDRESS button module to

```
READ CPORT
LOADDRBUTTON = NOT (CPORT) AND HAMASK
```

With the LOW ADDRESS button in the closed position, the program should display the values of the switches on the lights. This run checks for the proper response to the LOW ADDRESS button.

Similarly, we can expand the DATA button module and check for the proper response to that button. The entire program will then have been tested in a systematic manner.

When all the stubs have been expanded, the coding, debugging and testing stages will all be complete. Of course, we must know exactly what results each stub should produce. However, many logical errors will become obvious at each level without any further expansion.

### The Transaction Terminal

This example, of course, will have more levels of detail. We could start with the following program (see Figure 13-17 for a flowchart):

**TOP-DOWN  
DESIGN OF  
VERIFICATION  
TERMINAL**

```

KEYBOARD
ACK = 0
do while ACK = 0
  TRANSMIT
  RECEIVE
end
DISPLAY
    
```

Here KEYBOARD, TRANSMIT, RECEIVE and DISPLAY are program stubs which will be expanded later. KEYBOARD, for example, could simply place a ten-digit verified number in the appropriate buffer.

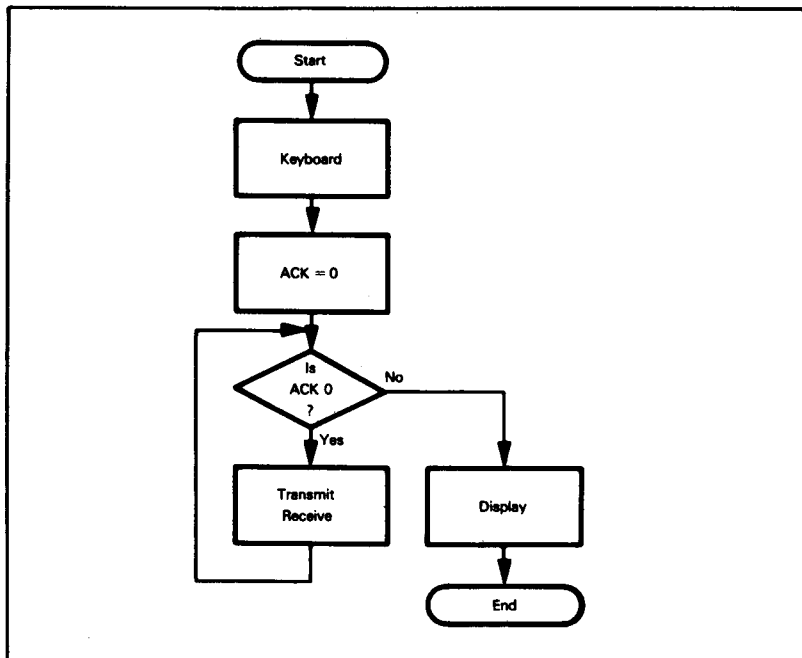


Figure 13-17. Initial Flowchart for Transaction Terminal

The next stage of expansion could produce the following program for KEYBOARD (see Figure 13-18):

**EXPANDING THE KEYBOARD ROUTINE**

```

VER = 0
do while VER = 0
  COMPLETE = 0
  do while COMPLETE = 0
    KEYIN
    KEYDS
  end
  VERIFY
end

```

Here VER = 0 means that an entry has not been verified; COMPLETE = 0 means that the entry is incomplete. KEYIN and KEYDS are the keyboard input and display routines respectively. VERIFY checks the entry. A possible stub for KEYIN would simply place a random entry (from a random number table or generator) in the buffer and set COMPLETE to 1.

We would continue by similarly expanding, debugging and testing TRANSMIT, RECEIVE and DISPLAY. Note that you should expand each program by one level so that you do not perform the integration of an entire program at any one time. You must use your judgment in defining levels. Too small a step wastes time, while too large a step gets you back to the problems of system integration that top-down design is supposed to solve.

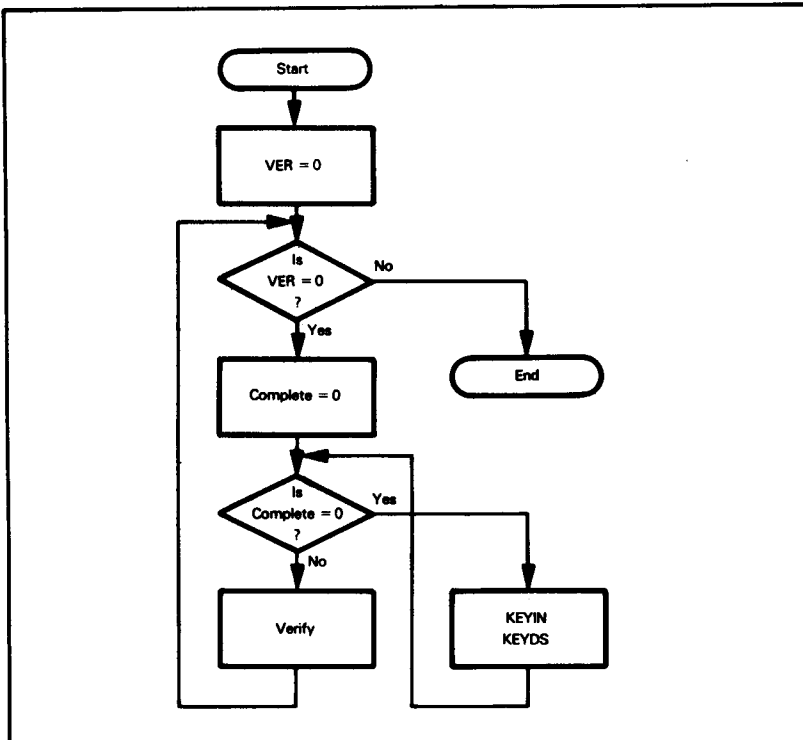


Figure 13-18. Flowchart for Expanded KEYBOARD Routine

## REVIEW OF TOP-DOWN DESIGN

Top-down design brings discipline to the testing and integration phases of program design. It provides a systematic method for expanding a flowchart or problem definition to the level required to actually write a program. Together with structured programming, it forms a complete set of design techniques.

Like structured programming, top-down design is not simple. The designer must have defined the problem carefully and must work systematically through each level. Here again the methodology may seem tedious, but the payoff can be substantial if the designer really follows the rules.

We recommend the following approach to top-down design:

- 1) Start with a basic flowchart.
- 2) Make the stubs as complete and as separate as possible.
- 3) Define precisely all the possible outcomes from each stub and select a test set.
- 4) Check each level carefully and systematically.
- 5) Use the structures from structured programming.
- 6) Expand each stub by one level. Do not try to do too much in one step.
- 7) Watch carefully for common tasks and data structures.
- 8) Test and debug after each stub expansion. Do not try to do an entire level at a time.
- 9) Be aware of what the hardware can do. Do not hesitate to stop and do a little bottom-up design where that seems necessary.

**FORMAT  
FOR  
TOP-DOWN  
DESIGN**

## REVIEW OF PROBLEM DEFINITION AND PROGRAM DESIGN

You should note that we have spent an entire chapter without mentioning any specific microprocessor or assembly language, and without writing a single line of actual code. Hopefully, though, you now know a lot more about the examples than you would have if we had just asked you to write the programs at the start. Although we often think of the writing of computer instructions as a key part of software development, it is actually one of the easiest stages.

Once you have written a few programs, the coding stage will become simple. You will soon learn the instruction set, recognize which instructions are really useful, and remember the common sequences that make up the largest part of most programs. You will then find that many of the other stages of software development remain difficult and have few clear rules.

We have suggested here some ways to systematize the important early stages. In the problem definition stage, you must define all the characteristics of the system — its inputs, outputs, processing, time and memory constraints, and error handling. You must particularly consider how the system will interact with the larger system of which it is a part, and whether that larger system includes electrical equipment, mechanical equipment or a human operator. You must start at this stage to consider how to make the system easy to use and maintain.

In the program design stage, several techniques can help you to systematically specify and document the logic of your program. Modular programming forces you to divide the total program into small, distinct modules. Structured programming provides a systematic way of defining the logic of those modules, while top-down design is a systematic method for integrating and testing them. Of course, no one can compel you to follow all of these techniques; they are, in fact, guidelines more than anything else. But they do provide a unified approach to the definition and design stages, and you should consider them a basis on which to develop your own approach.

## REFERENCES

1. Hughes, J.L. and J.I. Michtom, A Structured Approach to Programming, Prentice-Hall, Englewood Cliffs, N.J., 1977.
2. Ulrickson, R.W., "Software Modules are the Building Blocks", Electronic Design, February 1, 1977, pp. 62-66.
3. Ulrickson, R.W., "Solve Software Problems Step-by-Step", Electronic Design, January 18, 1977, pp. 54-58.
4. Yourdon, E.U., Techniques of Program Structure and Design, Prentice-Hall, Englewood Cliffs, N.J., 1975.
5. Parnas, D.L., "On the Criteria to be Used in Decomposing Systems into Modules", Communications of the ACM, December 1972, pp. 1053-1058.
6. Parnas, D.L., "A Technique for Software Module Specifications with Examples", Communications of the ACM, May 1972, pp. 330-336.
7. Wirth, N., Systematic Programming: An Introduction, Prentice-Hall, Englewood Cliffs, N.J., 1973.

# Chapter 14

## DEBUGGING AND TESTING

As we noted at the beginning of the previous chapter, debugging and testing are among the most time-consuming stages of software development. Even though such methods as modular programming, structured programming, and top-down design can simplify programs and reduce the frequency of errors, debugging and testing still are difficult because they are so poorly defined. The selection of an adequate set of test data is seldom a clear or scientific process. Finding errors sometimes seems like a game of "pin the tail on the donkey", except that the donkey is moving and the programmer must position the tail by remote control. Surely, few tasks are as frustrating as debugging programs.

This chapter will first describe the tools available to aid in debugging. It will then discuss basic debugging procedures, describe the common types of errors, and present some examples of program debugging. The last sections will describe how to select test data and test programs.

We will not do much more than describe the purposes of most of the debugging tools. There is very little standardization in this area, and not enough space to discuss all the devices and programs that are currently available. The examples should give you some idea of the uses, advantages, and limitations of particular hardware or software aids.

### SIMPLE DEBUGGING TOOLS

The simplest debugging tools available are:

- A single-step facility
- A breakpoint facility
- A Register Dump program (or utility)
- A Memory Dump program

The single-step facility allows you to execute the program one clock cycle at a time. Only some 6800-based microcomputers have this facility, since the circuitry is fairly complex. Of course, the only things that you will be able to see when the computer executes a single-step are the states of the output lines that you are monitoring. The most important lines are:

**SINGLE-STEP**

- Data Bus
- Address Bus
- VMA and  $\overline{\text{READ}}/\overline{\text{WRITE}}$  signals

If you monitor these lines (either in hardware or in software), you will be able to see the progression of addresses, instructions, and data as the program executes. You will be able to tell what kind of operations the CPU is performing. This information will be sufficient to inform you of such errors as incorrect Jump instructions, omitted or incorrect addresses, erroneous operation codes, or incorrect data values. However, you cannot see the contents of registers and flags without some additional debugging facility or a special sequence of instructions. Many of the operations of the program cannot be checked immediately.

There are many errors that a single-step mode cannot help you to find. These include timing errors and errors in the interrupt or DMA systems. Furthermore, the single-step mode is very slow, typically executing a program at less than one millionth of the speed of the processor itself. Therefore, to single-step through one second of real processor time would take more than ten days. The single-step mode is only useful to check the logic of short instruction sequences.

**LIMITATIONS OF SINGLE-STEP MODE**

A breakpoint is a place at which the program will automatically halt or wait so that the user can examine the current status of the system. The program will usually not start again until the operator clears the breakpoint. The breakpoint allows you to check or pass through an entire section of a program. Thus, to see if an initialization routine is correct, you can place a breakpoint at the end of it and run the program. You can then check memory locations and registers to see if the entire section is correct. However, note that if the section is not correct you'll still have to pin down the error, either with earlier breakpoints or with a single-step mode.

**BREAKPOINT**

Breakpoints complement the single-step mode. You can use breakpoints either to localize the error or to pass through sections that you know are correct. You can then do the detailed debugging in the single-step mode. Note that breakpoints do not affect program timing; they can therefore be used to check input/output and interrupts.

Breakpoints often use part or all of the microprocessor interrupt system. The 6800 has a special Software Interrupt instruction that can act as a breakpoint. If you are not already using the maskable interrupt (IRQ) and the non-maskable interrupt (NMI) in your program, you can use those vectors as externally controlled breakpoints. Table 14-1 gives the destination addresses for the various vectors. Chapter 12 describes the vectors in more detail. The breakpoint routine can print register and memory contents, or just wait (by executing a conditional jump dependent on a switch input) until the user allows the computer to proceed. But, remember that the interrupts (including SWI) use the Stack and Stack Pointer to store the return address and register contents. Figure 14-1 shows a routine in which SWI results in an endless loop. The programmer would have to clear this breakpoint with a Reset or Interrupt signal.

**SWI AS A BREAKPOINT**

A more powerful facility could allow the user to enter an address to which the processor would transfer control. Another possibility would be a return dependent on a switch, i.e.

```

ORG      $FFFA   SOFTWARE INTERRUPT BREAKPOINT
BRKPT   TST     PIADRA  WAIT FOR SWITCH ON BIT 7 TO CLOSE
        BMI     BRKPT
        RTI
    
```

Of course, other PIA data or control lines could also be used. Remember that RTI automatically re-enables the interrupts. If the interrupt comes from a PIA control line, an instruction will have to read the corresponding data register and clear the interrupt status bit.

Table 14-1. 6800 Interrupt Vectors

| Input | Vector Addresses (Hex) |
|-------|------------------------|
| IRQ   | FFF8, FFF9             |
| SWI   | FFFA, FFFB             |
| NMI   | FFFC, FFFD             |
| RESET | FFFE, FFFF             |

|       |     |        |                               |
|-------|-----|--------|-------------------------------|
| BRKPT | ORG | \$FFFA | SOFTWARE INTERRUPT BREAKPOINT |
|       | BRA | BRKPT  | WAIT IN PLACE                 |

Figure 14-1. A Simple Breakpoint Routine

A register dump facility on a microcomputer is a program that lists the contents of all the CPU registers. This information is usually not directly obtainable. The following routine will print the contents of all the registers on the system printer, if we assume that PRNT prints the contents of Accumulator A as two hexadecimal digits. Figure 14-2 is a flowchart of the program and Figure 14-3 shows a typical result. This program assumes that an interrupt or SWI has stored all the registers in the Stack.

|                          |
|--------------------------|
| <b>REGISTER<br/>DUMP</b> |
|--------------------------|

```

*
* USE STACK POINTER AS STARTING ADDRESS
*
      LDAB   #7      NUMBER OF BYTES = 7
      TSX    GET START OF REGISTER STORAGE
*
* PRINT CONTENTS OF REGISTERS
* ORDER IS CONDITION CODES, B, A, X (HIGH), X (LOW), PC (HIGH), PC (LOW)
*
PRN1  LDAA   X      GET A BYTE FROM STACK
      JSR   PRNT   AND PRINT IT
      INX
      DECB
      BNE   PRN1
*
* PRINT STACK POINTER — HIGH, LOW
*
      DEX
      STX   TEMP   MOVE STACK POINTER TO MEMORY
      LDAA  TEMP   PRINT MSBS OF POINTER
      JSR   PRNT
      LDAA  TEMP+1 PRINT LSBS OF POINTER
      JSR   PRNT
      RTI

```

14-4 6800 Assembly Language Programming

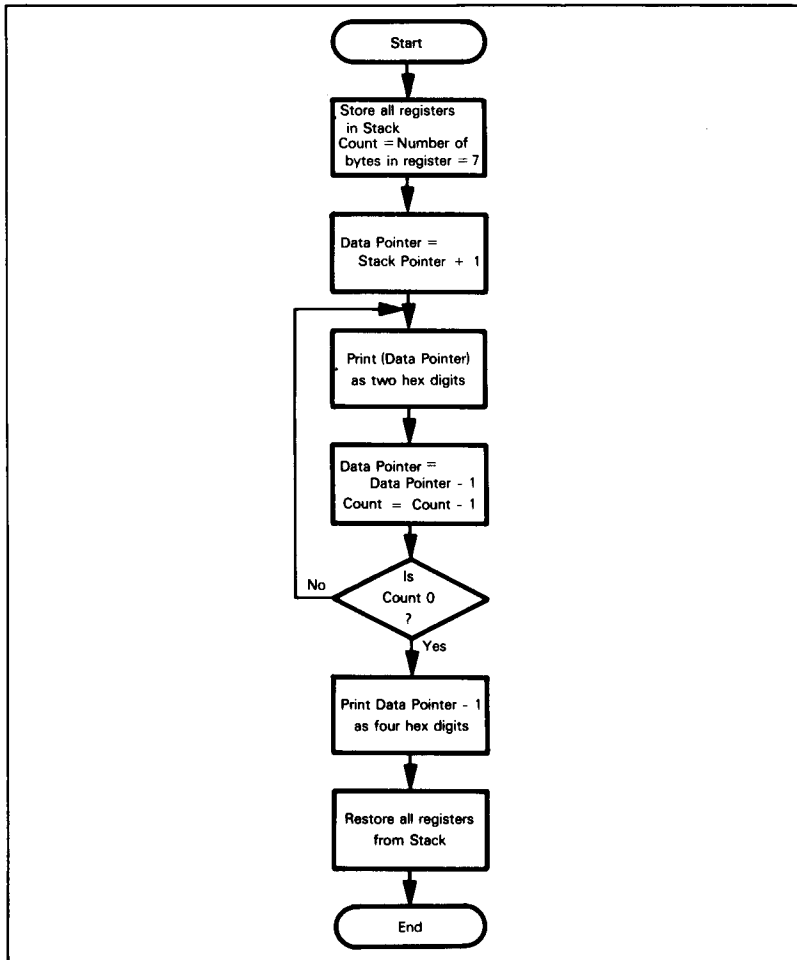


Figure 14-2. Flowchart of Register Dump Program

|    |       |
|----|-------|
| D8 | (CCR) |
| 05 | (B)   |
| 03 | (A)   |
| 27 | (IXH) |
| 1F | (IXL) |
| C5 | (PCH) |
| 06 | (PCL) |
| 01 | (SPH) |
| 70 | (SPL) |

Figure 14-3. Results of a Typical Register Dump (6800)

**MEMORY DUMP**

A memory dump is a program that lists the contents of memory on an output device (such as a printer). This is a much more efficient way to examine data arrays or entire programs than just looking at single locations. However, very large memory dumps are not useful (except to supply scrap paper) because of the sheer mass of information that they produce. They may also take a long time to execute on a slow printer. Small dumps may, however, provide the programmer with a reasonable amount of information that can be examined as a unit. Relationships such as regular repetitions of data patterns or offsets of entire arrays may become obvious.

A general dump is often rather difficult to write. The programmer should be careful of the following situations:

- 1) The size of the memory area exceeds 256 bytes, so that a single 8-bit counter will not suffice.
- 2) The ending location is an address smaller than the starting location. This should be treated as an error, since the user would seldom want to print the entire memory contents in an unusual order.

Since the speed of the memory dump is usually dependent on the speed of the output device, the efficiency of the routine seldom matters. The following program will reject cases where the starting address is larger than the ending address, and will handle blocks of any length. We assume that the starting address is in the Index register and the ending address is in memory locations LASTAD and LASTAD+1.

```

*
* LOOK FOR END BEFORE START
*
      STX      STRTAD      SAVE STARTING ADDRESS
      LDAA    STRTAD
      CMPA    LASTAD      IS STARTING ADDRESS ABOVE ENDING?
      BHI     DONE        YES, THROUGH
      BNE     DUMP        OKAY IF STARTING ADDRESS BELOW
      LDAA    STRTAD+1    IF MSBS EQUAL, LOOK AT LSBS
      CMPA    LASTAD+1
      BHI     DONE        THROUGH IF STARTING ADDRESS LARGER
*
* PRINT CONTENTS OF 1 LOCATION
*
DUMP  LDAA    X           GET A LOCATION
      JSR     PRNT        AND PRINT IT
      CPX    LASTAD      ENDING ADDRESS REACHED?
      BEQ    DONE        YES, QUIT
      INX
      BRA    DUMP
DONE  SWI

```

Remember that the CPX instruction sets Z if and only if the two 16-bit numbers are equal. However, CPX does not affect C at all, and determines N only from the subtraction of the most significant bytes.

|      |    |    |    |    |    |    |    |    |
|------|----|----|----|----|----|----|----|----|
| 1000 | 23 | 1F | 60 | 54 | 37 | 28 | 3E | 00 |
| 1008 | 6E | 42 | 38 | 17 | 59 | 44 | 98 | 37 |
| 1010 | 47 | 36 | 23 | 81 | E1 | FF | FF | 5A |
| 1018 | 34 | ED | BC | AF | FE | FF | 27 | 02 |

Figure 14-4. Results of a Typical Memory Dump

Figure 14-4 shows the output from a dump of memory locations 1000 to 101F.

This routine correctly handles the case in which the starting and ending locations are the same. The user will have to interpret the results carefully if the dump area includes the Stack, since the dump subroutine itself uses the Stack. PRNT may also change memory locations.

## MORE ADVANCED DEBUGGING TOOLS

The more advanced debugging tools that are most widely used are:

- Simulator programs to check software
- Logic analyzers to check signals and timing

Many variations of both these tools exist, and we shall only discuss the standard features.

The simulator is the computerized equivalent of the pencil-and-paper computer. It is a computer program that goes through the operating cycle of another computer, keeping track of the contents of all the registers, flags, and memory locations. We could, of course, do this by hand, but it would require a large amount of effort and close attention to the exact effects of each instruction. The simulator program never gets tired or confused, forgets an instruction or register, or runs out of paper.

**SOFTWARE  
SIMULATOR**

Most simulators are large FORTRAN programs. They can be purchased or used on the time-sharing services. The 6800 simulator is available in several versions from different sources.

Typical simulator features are:

- 1) A breakpoint facility. Usually, breakpoints can be set after a particular number of cycles have been executed, when a memory location or one of a set of memory locations is referenced, when the contents of a location or one of a set of locations are altered, or on other conditions.
- 2) Register and memory dump facilities that can display the values of memory locations, registers, and I/O ports.
- 3) A trace facility that will print the contents of particular registers or memory locations whenever the program changes or uses them.
- 4) A load facility that allows you to set values initially or change them during the simulation.

Some simulators can also simulate input/output, interrupts, and even DMA.

The simulator has many advantages:

- 1) It can provide a complete description of the status of the computer, since the simulator program is not restricted by pin limitations or other physical problems.
- 2) It can provide breakpoints, dumps, traces, and other facilities, without using any part of the processor's memory space or control system. These facilities will therefore not interfere with the user program.
- 3) Programs, starting points, and other conditions are easy to change.
- 4) All the facilities of a large computer, including peripherals and software, are available to the microprocessor designer.

On the other hand, the simulator is limited by its software base and its separation from the real microcomputer. The major limitations are:

- 1) The simulator cannot help with timing problems, since it operates far more slowly than real time and does not re-create actual hardware or interfaces.
- 2) The simulator cannot fully re-create the input/output system.

- 3) The simulator is usually quite slow. Reproducing one second of actual processor time may require hours of computer time. Using the simulator can be quite expensive.

The simulator represents the software side of debugging; it has the typical advantages and limitations of a wholly software-based approach. The simulator can provide insight into program logic and other software problems, but cannot help with timing, I/O, and other hardware problems.

The logic or microprocessor analyzer is the hardware solution to debugging. Basically, the analyzer is the parallel digital version of the standard oscilloscope. The analyzer displays information in binary, hexadecimal or mnemonic form on a CRT, and has a variety of triggering events, thresholds, and inputs. Most analyzers also have a memory so that they can display the past contents of the busses.

**LOGIC  
ANALYZER**

The standard procedure is to set a triggering event, such as the occurrence of a particular address on the Address Bus or instruction on the Data Bus. For example, one might trigger the analyzer if the microcomputer tries to store data in a particular address or execute an input or output instruction. One may then look at the sequence of events that preceded the breakpoint. Common problems you can find in this way include short noise spikes (or glitches), incorrect signal sequences, overlapping wave-forms, and other timing or signaling errors. Of course, a software simulator could not be used to diagnose those errors any more than a logic analyzer could conveniently be used to find errors in program logic.

Logic analyzers vary in many respects. Some of these are:

- 1) Number of input lines. At least 24 are necessary to monitor an 8-bit Data Bus and a 16-bit Address Bus. Still more are necessary for control signals, clocks, and other important inputs.
- 2) Amount of memory. Each previous state that is saved will occupy several bytes.
- 3) Maximum frequency. It must be several MHz to handle the fastest processors.
- 4) Minimum signal width (important for catching glitches).
- 5) Type and number of triggering events allowed. Important features are pre- and post-trigger delays; these allow the user to display events occurring before or after the trigger event.
- 6) Methods of connecting to the microcomputer. This may require a rather complex interface.
- 7) Number of display channels.
- 8) Binary, hexadecimal or mnemonic displays.
- 9) Display formats.
- 10) Signal hold time requirements.
- 11) Probe capacitance.
- 12) Single or dual thresholds.

**IMPORTANT  
FEATURES  
OF LOGIC  
ANALYZERS**

All of these factors are important in comparing different logic and microprocessor analyzers, since these instruments are new and unstandardized. A tremendous variety of products is already available, and this variety will become even greater in the future.

## 14-8 6800 Assembly Language Programming

Logic analyzers, of course, are only necessary for systems with complex timing. Simple applications with low-speed peripherals have few hardware problems that a designer cannot handle with a standard oscilloscope. For more information about logic analyzers, see

R.L. Down, "Understanding Logic Analyzers", Computer Design, June 1977, pp. 188-191

W.A. Farnbach, "Bring up Your  $\mu$ P", Electronic Design, July 10, 1976, pp. 80-85

B. Farly, "Logic Analyzers Aren't All Alike", Electronic Design, Feb. 1, 1978, pp. 70-76

K. Pines, "What Do Logic Analyzers Do?", Digital Design, September 1977, pp. 55-77

N.A. Robin, "The Logic Analyzer: A Computer Troubleshooting Tool", Computer Design, March 1976, pp. 89-96

S. Runyon, "Focus on Logic and  $\mu$ P Analyzers", Electronic Design, February 1, 1977, pp. 40-50

A. Santoni, "The Latest Logic Analyzers Offer More Functions and Less Cost", Electronic Design, Feb. 1, 1978, pp. 26-32

### DEBUGGING WITH CHECKLISTS

The designer cannot possibly check an entire program by hand; however, there are certain trouble spots that the designer can easily check. You can use systematic hand-checking to find a large number of errors without resorting to any debugging tools.

The question is where to place the effort. The answer is on points that can be handled with either a yes-no answer or with a simple arithmetic calculation. Do not try to do complex arithmetic, follow all the flags, or try every conceivable case. Limit your hand checking to matters that can be settled easily. Leave the complex problems to be solved with the aid of the various debugging tools. But proceed systematically; build your checklist and make sure that the program performs the basic operations correctly.

**WHAT TO  
INCLUDE IN  
CHECKLIST**

The first step is to compare the flowchart or structured program with the actual code. Make sure that everything that appears in one also appears in the other. A simple checklist will do the job. It is easy to completely omit a branch or a processing section.

Next concentrate on the program loops. Make sure that all registers and memory locations used inside the loops have been initialized before they are used. This is a common source of errors; once again, a simple checklist will suffice.

Now look at each conditional branch. Select a sample case that should produce a branch and one that should not; try both of them. Is the branch correct or reversed? If the branch involves checking whether a number is above or below a threshold, try the equality case. Does the correct branch occur? Make sure that your choice is consistent with the problem definition.

Look at the loops as a whole. Try the first and last iterations by hand; these are often troublesome special cases. What happens if the number of iterations is zero; i.e., there is no data or the table has no elements? Does the program fall through correctly? Programs often will perform one iteration unnecessarily, or, even worse, decrement counters past zero before checking them.

Check off everything down to the last statement. Don't assume (hopefully) that the first error is the only one in the program. Hand checking will allow you to get the maximum benefit from debugging runs, since you will get rid of many simple errors ahead of time.

A quick review of the hand checking questions:

- 1) Is every element of the program design in the program (and vice versa for documentation purposes)?
- 2) Are all registers and memory locations used inside loops initialized before they are used?

**HAND  
CHECKING  
QUESTIONS**

- 3) Are all conditional branches correct?
- 4) Do all loops start and end properly?
- 5) Are equality cases handled correctly?
- 6) Are trivial cases handled correctly?

### LOOKING FOR ERRORS

Of course, despite all these precautions (or if you skip over some of them), programs often still don't work. The designer is left with the problem of how to find the mistakes. The hand checklist provides a starting place if you didn't use it earlier; some of the errors that you may not have eliminated are:

**COMMON  
ERRORS**

- 1) Failure to initialize variables such as counters, pointers, sums, etc. Do not assume that registers, memory locations, or flags necessarily contain zero before they are used.
- 2) Inverting a conditional jump, such as using Branch on Carry Set when you mean Branch on Carry Clear. Remember the effects of a comparison or subtraction (A is the contents of the Accumulator, M the contents of the register or memory location).
 
$$\begin{aligned} \text{Zero} &= 1 \text{ if } A = M \\ &= 0 \text{ if } A \neq M \\ \text{Carry} &= 1 \text{ if } A < M \\ &= 0 \text{ if } A \geq M \end{aligned}$$

Note particularly that  $\text{Carry} = 0$  if  $A = M$  (the equality case). So, Branch on Carry Set means jump if  $A < M$  and Branch on Carry Clear means jump if  $A \geq M$ . If you want the equality case on the other side, use Branch if Higher (BHI) or Branch on Lower or Same (BLS). For example, if you want a jump if  $A \geq 10$ , use

```
CMPA #10
BCC ADDR
```

If, on the other hand, you want a jump if  $A > 10$ , use

```
CMPA #10
BHI ADDR
```

- 3) Updating the counters and pointers in the wrong place or not at all. Be sure that there are no paths through a loop which either skip or repeat the updating instructions.
- 4) Failure to fall through correctly in trivial cases such as no data in a buffer, no tests to be run, or no entries in a transaction. Don't assume that such cases will never occur unless the program has specifically eliminated them.

Other problems to watch for are:

- 5) Reversing the order of operands.  
Remember, for example, that TAB moves A to B, not the other way around.
- 6) Changing condition flags before you use them.  
Remember that LDAA, LDX, LDS, INC, and DEC affect all the flags except the Carry, while INX and DEX affect the Zero flag. Remember also that RTI and TAP change all the flags.
- 7) Confusing the Index register and the indexed memory location.  
Remember that CLR X clears the memory location addressed by the Index register, not the Index register itself. Note the difference between INC X and INX; the former adds 1 to the contents of an 8-bit memory location (address in X) while the latter adds 1 to the contents of the 16-bit Index register.

## 14-10 6800 Assembly Language Programming

- 8) Confusing values and addresses.  
Remember that LDX # $\$1000$  loads X with the number 1000 (hex), while LDX  $\$1000$  loads X with the contents of memory locations 1000 and 1001. A similar distinction applies to LDAA COUNT and LDAA #COUNT.
- 9) Accidentally re-initializing a register or memory location.  
Make sure that no Jump instructions transfer control back to initialization statements.
- 10) Confusing numbers and characters.  
Remember that the ASCII and EBCDIC representations of digits differ from the digits themselves. For example, ASCII 7 is hex 37, whereas hex 07 is the ASCII Bell character.
- 11) Confusing binary and decimal numbers.  
Remember that the BCD representation of a number is different from its binary representation. For example, BCD 36 is binary 54 (try it).
- 12) Reversing the order in subtraction. Be careful also with other operations (like division) that do not commute.  
Remember that SUB and CMP produce A-M, not M-A.
- 13) Ignoring the effects of subroutines and macros.  
Don't assume that calls to subroutines or references to macros don't change flags, registers, or memory locations. Be sure of exactly what effects they have. Note that it is very important to document these effects.
- 14) Using the Shift instructions improperly.  
Remember the precise effects of ASR, ASL, LSR, ROL, and ROR. They are 1-bit shifts that affect all the flags. ASL and LSR both clear the empty bit. ASR preserves the sign bit (i.e., extends it). ROR and ROL are circular shifts that include the Carry. Remember that all the flags are affected, even if these instructions are applied to the data in a memory location.
- 15) Counting the length of an array incorrectly  
Remember that there are five (not four) memory locations included in addresses 0100 through 0104, inclusive.
- 16) Confusing 8- and 16-bit registers.  
The Accumulators and Condition Code register are eight bits long, while the Index register, Stack Pointer, and Program Counter are 16 bits long. You cannot transfer the contents of an Accumulator to the Index register, or vice versa.
- 17) Forgetting that 16-bit numbers occupy two memory locations.  
LDX  $\$40$  loads the Index register from memory locations 0040 and 0041. Similarly, STS  $\$50$  stores the contents of the Stack Pointer in memory locations 0050 and 0051. Note that CPX, LDS, LDX, STS, and STX all can use 8-bit direct addresses on page zero, even though they are 16-bit operations.
- 18) Confusing the Stack and the Stack Pointer.  
DES, INS, LDS, and STS affect the Stack Pointer, not the contents of the Stack. PSH and PUL transfer data to or from the Stack. Remember that JSR, BSR, RTS, RTI, and SWI also use the Stack. Remember also that you must initialize the Stack Pointer before calling any subroutines or allowing any interrupts.
- 19) Changing a register or memory location before using it.  
Remember that LDA, STA, LDX, STX, etc. change the contents of the destination (but not the source).
- 20) Forgetting to transfer control past sections of the program that should not be executed in particular situations.  
Remember that the computer will proceed sequentially through the program memory unless specifically ordered to do otherwise.

**DEBUGGING  
INTERRUPT-  
DRIVEN  
PROGRAMS**

Interrupt-driven programs are particularly difficult to debug, since errors may occur randomly. If, for example, the program enables the interrupts a few instructions too early, an error will only occur if an interrupt is received while the program is executing those few instructions. In fact, you can usually assume that randomly occurring errors are caused by the interrupt system (see W.J. Weller, Assembly Level Programming for Small Computers, Lexington Books). Typical errors in interrupt-driven programs are:

- 1) Forgetting to re-enable interrupts after accepting one and servicing it.  
The processor disables the interrupt system automatically on Reset, on executing SWI, or on accepting an interrupt. Be sure that no possible sequences fail to re-enable the interrupt.
- 2) Forgetting that RTI will automatically re-enable the interrupts unless you set the I bit in the Stack.
- 3) Enabling interrupts before establishing all the necessary conditions such as priority, flags, etc.  
A checklist can aid here.
- 4) Leaving results in registers and destroying them in the restoration process. Remember that RTI restores all the registers from the Stack.
- 5) Forgetting that the interrupts leave all the register contents in the Stack whether you use them or not.  
You may have to re-initialize or update the Stack Pointer.
- 6) Forgetting to clear a PIA interrupt by reading the Data register even if no reading is actually necessary.
- 7) Not disabling the interrupt during multi-word transfers or instruction sequences.

Hopefully these lists will at least give you some idea of where to look. Unfortunately, even the most systematic debugging can still leave some truly puzzling problems.

**Debugging Example 1: Decimal to Seven-Segment Conversion**

**DEBUGGING  
A CODE  
CONVERSION  
PROGRAM**

The program converts a decimal number in memory location 0040 to a seven-segment code in memory location 0041. It blanks the display if memory location 0040 does not contain a decimal number. (See Chapters 7 and 11 for a description of seven-segment numbers).

**Initial Program** (from flowchart in Figure 14-5):

```

LDAA    $40      GET DATA
CMPA    09      IS DATA GREATER THAN 9?
BCS     DONE    YES, DONE
LDX     SSEG    GET ADDRESS OF SEVEN-SEGMENT TABLE
LDAA    X       GET ELEMENT FROM TABLE
DONE    STAA    $41    SAVE SEVEN-SEGMENT CODE
        SWI
SSEG    FCB     $3F,$06,$5B,$4F,$66
        FCB     $6D,$7D,$07,$7F,$6F
    
```

Using the checklist procedure, we were able to find the following errors:

- 1) The block that cleared Result had been omitted.
- 2) The conditional branch was incorrect.

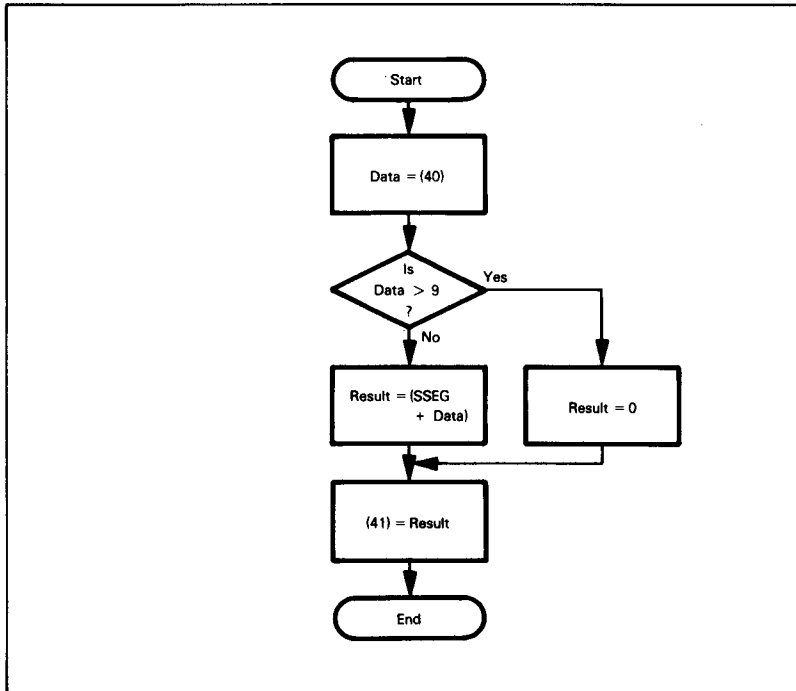


Figure 14-5. Flowchart of Decimal to Seven-Segment Conversion

For example, if the data is zero, CMPA #9 sets the Carry, since  $0 < 9$ . However, the jump on the opposite condition, i.e., BCC DONE, still does not produce the correct result. Now the program handles the equality case incorrectly, since, if the data is 9, CMPA #9 clears the Carry and causes a jump. The correct version is

```

CMPA #9    IS DATA GREATER THAN 9?
BHI  DONE  YES, DONE
  
```

**Second Program:**

```

CLR B      GET BLANK CODE FOR DISPLAY
LDAA $40   GET DATA
CMPA #9    IS DATA GREATER THAN 9?
BHI  DONE  YES, DONE
LDX  SSEG  GET ADDRESS OF SEVEN-SEGMENT TABLE
LDAA X     GET ELEMENT FROM TABLE
DONE STAA $41  SAVE SEVEN-SEGMENT CODE
SWI
SSEG  FCB  $3F,$06,$4B,$4F,$66
      FCB  $6D,$7D,$07,$7F,$6F
  
```

This version was hand checked successfully.

Since the program was simple, the next stage was to single-step through it with real data. The data selected for the trials was:

```

0          (the smallest number)
9          (the largest number)
10         (a border case)
6B (hex)  (random)

```

The first trial was with zero in location 0040. The program proceeded with no apparent errors until it tried to execute the LDAA X instruction. The contents of the Address Bus during the data fetch were 3F06, an address that did not even exist in the system. Clearly, something had gone wrong.

It was now time for some more hand checking. Since we knew that BHI was correct, the error was clearly subsequent to that instruction but before LDAA X. The hand check showed that LDX SSEG placed 3F06 in the Index register. Clearly, we want the address SSEG, not its contents. The addressing should be immediate rather than direct. But we still have to add SSEG and the data in Accumulator A. This requires some manipulation, as we have seen earlier in Chapters 4, 7, and 9. The corrected version is:

#### Third Program:

```

          CLRB          GET BLANK CODE FOR DISPLAY
          LDAA          $40      GET DATA
          CMPA          #9       IS DATA GREATER THAN 9?
          BHI          DONE     YES, DONE
          STAA          TEMPX+1
USE DATA IN OFFSET ADDRESS
          LDAA          #SSEGU   GET MSBS OF TABLE ADDRESS
          STAA          TEMPX
          LDX          TEMPX     GET OFFSET ADDRESS
          LDAA          SSEGL,X  GET ELEMENT FROM TABLE
DONE     STAA          $41      SAVE SEVEN-SEGMENT CODE
          SWI
TEMPX   RMB          2
SSEG    FCB          $3F,$06,$5B,$4F,$66
          FCB          $6D,$7D,$07,$7F,$6F
SSEGU   EQU          SSEG/256
SSEGE   EQU          SSEGU*256
SSEGL   EQU          SSEG-SSEGE

```

This program produced the following results:

| <u>Data</u> | <u>Result</u> |
|-------------|---------------|
| 00          | 3F            |
| 09          | 6F            |
| 0A          | 0A            |
| 6B          | 6B            |

## 14-14 6800 Assembly Language Programming

The program was not clearing the result if the data was invalid; i.e., greater than 9. The program never used the blank code in Accumulator B. Since the program was simple, it could be tested for all the decimal digits. The results were:

| <u>Data</u> | <u>Result</u> |
|-------------|---------------|
| 0           | 3F            |
| 1           | 06            |
| 2           | 5B            |
| 3           | 4F            |
| 4           | 66            |
| 5           | 6D            |
| 6           | 7D            |
| 7           | 07            |
| 8           | 7D            |
| 9           | 6F            |

Note that the result for number 8 is wrong — it should be 7F. Since everything else is correct, the error is almost surely in the table. In fact, entry 8 in the table had been miscopied.

The final program is:

```
•
• DECIMAL TO SEVEN-SEGMENT CONVERSION
•
      CLRB          GET BLANK CODE FOR DISPLAY
      LDAA  $40     GET DATA
      CMPA  #9      IS DATA GREATER THAN 9?
      BHI   DONE    YES, DONE
      STAA  TEMPX+1 USE DATA IN OFFSET ADDRESS
      LDAA  #SSEGU  GET MSBS OF TABLE ADDRESS
      STAA  TEMPX   GET OFFSET ADDRESS
      LDAB  SSEGL.X GET ELEMENT FROM TABLE
DONE  STAB  $41     SAVE SEVEN-SEGMENT CODE
      SWI
TEMPX  RMB  2
SSEG  FCB  $3F,$06,$5B,$4F,$66
      FCB  $6D,$7D,$07,$7F,$6F
SSEGU  EQU  SSEG/256
SSEGE  EQU  SSEGU*256
SSEGL  EQU  SSEG-SSEGE
```

The errors encountered in this program are typical of the ones that 6800 assembly language programmers should anticipate. They include:

- Failing to initialize variables
- Inverting conditional branches
- Branching incorrectly in the equality case
- Confusing immediate and direct addressing, i.e., data and addresses
- Forgetting the distinction between 8-bit data and 16-bit addresses
- Branching to the wrong place, so that one path through the program is incorrect
- Copying lists of numbers incorrectly

Note that straightforward instructions like ADD, SUB, JMP, etc. seldom produce any problems.

### Debugging Example 2: Sort into Decreasing Order

The program sorts an array of unsigned 8-bit binary numbers into decreasing order. The array begins in memory location 0042 and its length is in memory location 0041.

**DEBUGGING  
A SORT  
PROGRAM**

**Initial Program** (from flowchart in Figure 14-6):

|       |      |       |                                |
|-------|------|-------|--------------------------------|
|       | LDA  | #1    | INTERCHANGE FLAG = 1           |
|       | STAA | \$40  |                                |
|       | LDA  | \$41  | COUNT = LENGTH OF ARRAY        |
|       | LDX  | #\$42 | POINT TO START OF ARRAY        |
| PASS  | LDAB | X     | GET AN ELEMENT                 |
|       | CMPB | 1,X   | IS PAIR IN CORRECT ORDER?      |
|       | BCS  | COUNT | YES, NO INTERCHANGE NECESSARY  |
|       | STAB | 1,X   | NO, INTERCHANGE PAIR           |
| COUNT | DECA |       | IS PASS COMPLETE?              |
|       | BNE  | PASS  | NO, CONTINUE PASS              |
|       | TST  | \$40  | YES, IS INTERCHANGE FLAG ZERO? |
|       | BNE  | PASS  | NO, MAKE ANOTHER PASS          |
|       | SWI  |       |                                |

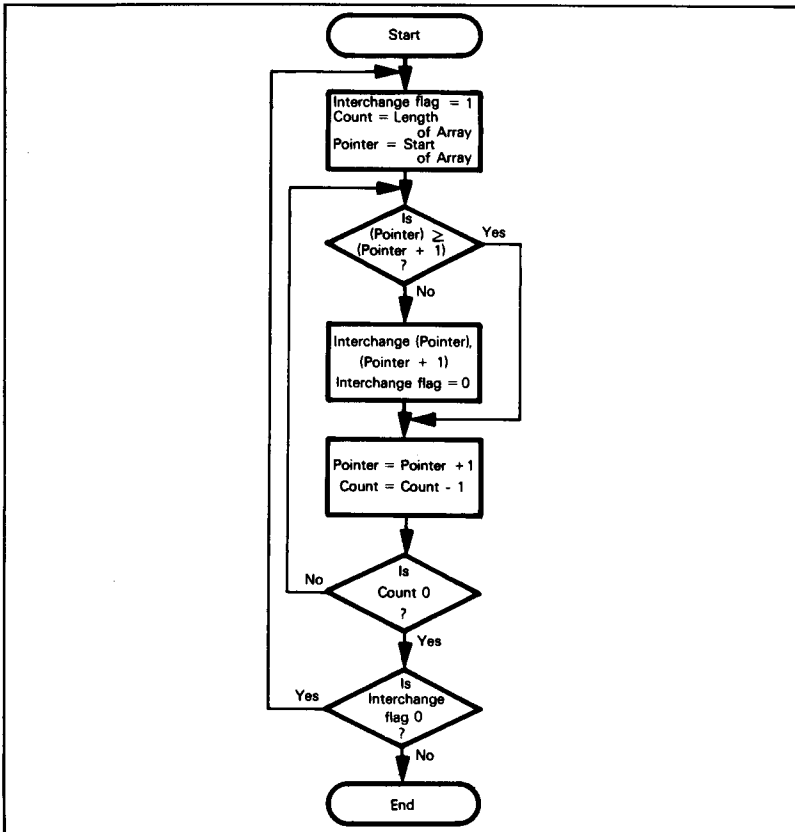


Figure 14-6. Flowchart of Sort Program

## 14-16 6800 Assembly Language Programming

The hand check shows that all the blocks in the flowchart have been implemented in the program and that all the registers have been initialized. The conditional branches must be examined carefully. The instruction BCS COUNT must force a branch if the new value is less than or equal to the old value. Note that the equality case must not result in an interchange, since this will create an endless loop with the two equal elements being switched back and forth.

Try an example.

```
(0042) = 30
(0043) = 37
```

CMPB 1,X results in the calculation of 30-37. The Carry is set to 1. This example should result in an interchange, but does not. BCC COUNT will provide the proper branch in this case. If the two numbers are equal, the comparison will clear the Carry and BCC COUNT is again correct.

How about BNE PASS at the end of the program? If there are any elements out of order, the contents of memory location 0040 will be zero, so the branch is wrong. It should be BEQ PASS.

Now try the first time through. The initialization results in the following:

```
(B) = 1
(A) = COUNT
(X) = 0042
```

The effects of the loop instructions are:

```
LDAB X      (B) = (0042)
CMPB X      (0042) - (0043)
BCC COUNT
STAB 1,X    (0043) = (0042)
DECA      (A) = COUNT - 1
```

Note that we have already checked the conditional Jump instructions.

Clearly the logic is incorrect. If the first two numbers are out of order, the results after the first iteration should be:

```
(0042) = OLD (0043)
(0043) = OLD (0042)
(X) = 0043
(A) = COUNT - 1
```

Instead, they are:

```
(0042) = Unchanged
(0043) = OLD (0042)
(X) = 0042
(A) = COUNT - 1
```

The error in X is easy to correct. The instruction INX has been omitted, and must be placed where it will be executed regardless of the outcome of BCC COUNT. The interchange requires a bit more care and the use of both Accumulators:

```
PSHA
LDAA 1,X
STAB 1,X
STAA X
PULA
```

An interchange always requires a temporary location in which one number can be stored while the other one is being transferred. The Stack is used here for temporary storage.

All of these changes require a new copy of the program:

```

        LDAA  #1      INTERCHANGE FLAG = 1
        STAA  $40
        LDAA  $41      COUNT = LENGTH OF ARRAY
        LDX   #$42     POINT TO START OF ARRAY
PASS    LDAB  X        GET AN ELEMENT
        CMPB  1,X      IS PAIR IN CORRECT ORDER?
        BCC  COUNT     YES, NO INTERCHANGE NECESSARY
        PSHA                     NO, INTERCHANGE ELEMENTS
        LDAA  1,X
        STAB  1,X
        STAA  X
        PULA
COUNT  INX
        DECA                     IS PASS COMPLETE?
        BNE  PASS      NO, CONTINUE PASS
        TST  $40       IS INTERCHANGE FLAG ZERO?
        BEQ  PASS      YES, MAKE ANOTHER PASS
        SWI

```

How about the last iteration? Let's say that there are three elements:

```

(0041) = 03
(0042) = 02
(0043) = 04
(0044) = 06

```

Each time through, the program increments X by 1. So, at the start of the third iteration,

```
(X) = 0042 + 2 = 0044
```

The effects of the loop instructions are:

```

LDAB  X      (B) = (0044)
CMPB  1,X    (0044) - (0045)

```

This is incorrect; the program has tried to move beyond the end of the data. The previous iteration should, in fact, have been the last one, since the number of pairs is one less than the number of elements. The correction is to reduce the number of iterations by 1: i.e., place DECA after LDAA \$41.

How about the trivial cases? What happens if the array contains no elements at all, or only one element? The answer is that the program does not work correctly, and may change a whole block of data improperly without any warning (try it!). The corrections to handle the trivial cases are simple but essential: the cost is only a few memory locations to avoid problems that could be very difficult to find later. The new program is:

```

LDAA  #1      INTERCHANGE FLAG = 1
STAA  $40
LDAA  $41     GET LENGTH OF ARRAY
CMPA  #1      IS THERE MORE THAN ONE ELEMENT?
BLS   DONE    NO, NO ACTION NECESSARY
DECA                     NUMBER OF PAIRS = LENGTH - 1
LDX   #$42     POINT TO START OF ARRAY

```

**14-18** 6800 Assembly Language Programming

```
PASS  LDAB  X      GET AN ELEMENT
      CMPB  1,X    IS PAIR IN CORRECT ORDER?
      BCC  COUNT  YES. NO INTERCHANGE NECESSARY
      PSHA                    NO. INTERCHANGE ELEMENTS
      LDAA  1,X
      STAB  1,X
      STAA  X
      PULA
COUNT INX
      DECA                    IS PASS COMPLETE?
      BNE  PASS    NO. CONTINUE PASS
      TST  $40     IS INTERCHANGE FLAG ZERO?
      BEQ  PASS    YES. MAKE ANOTHER PASS
DONE   SWI
```

Now it's time to check the program on the computer or on the simulator. A simple set of data is:

```
(0041) = 02
(0042) = 00
(0043) = 01
```

This set consists of two elements in the wrong order. The program should take two passes. The first pass should rearrange the elements, producing:

```
(0042) = 01
(0043) = 00
(0040) = 00
```

The second pass should complete the operation and produce:

```
(0040) = 01
```

This program is rather long for single-stepping, so we'll use breakpoints instead. Each breakpoint will halt the computer and print the contents of all the registers. The breakpoints will come:

- 1) After LDX #**\$42** to check the initial conditions.
- 2) After CMPB 1,X to check the comparison.
- 3) After PULA to check the interchange.
- 4) After TST **\$40** to check the completion of a pass through the array.

The contents of the registers after the first breakpoint were:

| <u>Register</u> | <u>Contents</u> |
|-----------------|-----------------|
| CC              | F0              |
| B               | 00              |
| A               | 01              |
| X               | 0042            |

These are all correct, so the program calculated the initial conditions correctly in this case.

The results at the second breakpoint were:

| <u>Register</u> | <u>Contents</u> |
|-----------------|-----------------|
| CC              | F9              |
| B               | 00              |
| A               | 01              |
| X               | 0042            |

These results are also correct.

The results at the third breakpoint were:

| <u>Register</u> | <u>Contents</u> |
|-----------------|-----------------|
| CC              | F1              |
| B               | 00              |
| A               | 01              |
| X               | 0042            |

Checking memory showed:

```
(0040) = 01
(0042) = 01
(0043) = 00
```

The results at the fourth breakpoint were:

| <u>Register</u> | <u>Contents</u> |
|-----------------|-----------------|
| CC              | F0              |
| B               | 00              |
| A               | 01              |
| X               | 0043            |
| (0040)          | 01              |

Here, memory location 0040 is not correct: its value should be zero to indicate that an interchange occurred. In fact, a look at the program shows that no instruction ever changes memory location 0040 to mark the occurrence of an interchange. The correction is to place the instruction CLR \$40 after BCC COUNT.

Now the procedure is to load memory location 0040 with the correct value and continue. The second iteration of the second breakpoint gives:

| <u>Register</u> | <u>Contents</u> |
|-----------------|-----------------|
| CC              | F9              |
| B               | 00              |
| A               | 01              |
| X               | 0043            |

Clearly, the program has proceeded incorrectly without re-initializing the registers (particularly the Index register). The conditional jump that depends on the interchange flag should transfer control all the way back to the start of the program, not to the label PASS.

The final version of the program is:

```
SORT  LDAA  #1      INTERCHANGE FLAG = 1
      STAA  $40
      LDAA  $41    GET LENGTH OF ARRAY
      CMPA  #1    IS THERE MORE THAN ONE ELEMENT?
      BLS  DONE  NO, NO ACTION NECESSARY
      DECA             NUMBER OF PAIRS = LENGTH - 1
      LDX  #$42   POINT TO START OF ARRAY
PASS  LDAB  X      GET AN ELEMENT
      CMPB  1,X   IS PAIR IN CORRECT ORDER?
      BCC  COUNT YES, NO INTERCHANGE NECESSARY
      CLR  $40   NO, INTERCHANGE FLAG = 0
      PSHA             INTERCHANGE ELEMENTS
      LDAA  1,X
      STAB  1,X
      STAA  X
      PULA
```

## 14-20 6800 Assembly Language Programming

```
COUNT  INX
        DECA           IS PASS COMPLETE?
        BNE   PASS    NO. CONTINUE PASS
        TST   $40     IS INTERCHANGE FLAG ZERO?
        BEQ   SORT    YES. MAKE ANOTHER PASS
        SWI
```

Clearly we cannot check all the possible input values for this program. Two other simple sets of data for debugging purposes are:

- 1) Two equal elements  
(0041) = 02  
(0042) = 00  
(0043) = 00
- 2) Two elements already in decreasing order  
(0041) = 02  
(0042) = 01  
(0043) = 00

### INTRODUCTION TO TESTING

Program testing is closely related to program debugging. Surely some of the test cases will be the same as the test data used for debugging, such as:

- Trivial cases such as no data or a single element
- Special cases that the program singles out for some reason
- Simple examples that exercise particular parts of the program

In the case of the decimal to seven-segment conversion program, these cases cover all the possible situations. The test data consists of:

- The numbers 0 through 9
- The boundary case 10
- The random case 6B

The program does not distinguish any other cases. Here debugging and testing are virtually the same.

In the sorting program, the problem is more difficult. The number of elements could range from 0 to 255, and each of the elements could lie anywhere in that range. The number of possible cases is therefore enormous. Furthermore, the program is moderately complex. How do we select test data that will give us a degree of confidence in that program? Here testing requires some design decisions. The testing problem is particularly difficult if the program depends on sequences of real-time data. How do we select the data, generate it, and present it to the microcomputer in a realistic manner?

Most of the tools mentioned earlier for debugging are helpful in testing also. Logic or microprocessor analyzers can help check the hardware; simulators can help check the software. Other tools can also be of assistance; e.g.,

- 1) I/O simulations that can simulate a variety of devices from a single input and a single output device.
- 2) In-circuit emulators that allow you to attach the prototype to a development system or control panel and test it.
- 3) ROM simulators that have the flexibility of a RAM but the timing of the particular ROM or PROM that will be used in the final system.

**USING TEST  
CASES FROM  
DEBUGGING**

**TESTING  
AIDS**

- 4) Real-time operating systems that can provide inputs or interrupts at specific times (or perhaps randomly) and mark the occurrence of outputs. Real-time breakpoints and traces may also be included.
- 5) Emulations (often on micro-programmable computers) that may provide real-time execution speed and programmable I/O.

See, for example, H.R. Burris, "Time-Scaled Emulations of the 8080 Microprocessor", Proceedings of the 1977 National Computer Conference, pp. 937-946.

- 6) Interfaces that allow another computer to control the I/O system and test the microcomputer program.
- 7) Testing programs that check each branch in a program for logical errors.
- 8) Test generation programs that can generate random data or other distributions.

Formal testing theorems exist, but they are usually applicable only to very short programs.

You must be careful that the test equipment does not invalidate the test by modifying the environment. Often, test equipment may buffer, latch, or condition input and output signals. The actual system may not do this, and may therefore behave quite differently.

Furthermore, extra software in the test environment may use some of the memory space or part of the interrupt system. It may also provide error recovery and other features that will not exist in the final system. A software test bed must be just as realistic as a hardware test bed, since software failure can be just as critical as hardware failure.

Emulations and simulations are, of course, never precise. They are usually adequate for checking logic, but can seldom help test the interface or the timing. On the other hand, real-time test equipment does not provide much of an overview of the program logic and may affect the interfacing and timing.

## SELECTING TEST DATA

Very few real programs can be checked for all cases. The designer must choose a sample set that in some sense describes the entire range of possibilities.

Testing should, of course, be part of the total development procedure. Top-down design and structured programming provide for testing as part of the design. This is called structured testing. (See D.A. Walsh, "Structured Testing", *Datamation*, July 1977, pp. 111-118.) Each module within a structured program should be checked separately. Testing, as well as coding, should be modular, structured, and top-down.

**STRUCTURED TESTING**

But that leaves the question of selecting test data for a module. The designer must first list all special cases that a program recognizes. These may include:

- Trivial cases
- Equality cases
- Special situations

**TESTING SPECIAL CASES**

The test data should include all of these.

You must next identify each class of data that statements within the program may distinguish. These may include:

- Positive or negative numbers
- Numbers above or below a particular threshold
- Data that does or does not include a particular sequence or character
- Data that is or is not present at a particular time

**FORMING  
CLASSES  
OF DATA**

If the modules are short, the total number of classes should still be small even though each division is multiplicative: i.e., two two-way divisions result in four data classes.

You must now separate the classes according to whether the program produces a different result for each entry in the class (as in a table) or produces the same result for each entry (such as a warning that a parameter is above a threshold). In the discrete case, one may include each element if the total number is small or sample if the number is large. The sample should include all boundary cases and at least one case selected randomly. Random number tables are available in books, and random number generators are part of most computer facilities.

**SELECTING  
DATA FROM  
CLASSES**

You must be careful of distinctions that may not be obvious. For example, the 6800 will regard an 8-bit unsigned number greater than 127 as negative; you must consider this when using the conditional branches that depend on the Sign flag. You must also watch for instructions that do not affect flags, overflow in signed arithmetic, and the distinctions between address-length (16-bit) quantities and data-length (8-bit) quantities.

### Testing Example 1: Sort Program

The special cases here are obvious:

- No elements in the array
- One element, magnitude may be selected randomly

**TESTING  
A SORT  
PROGRAM**

The other special case to be considered is one in which elements are equal.

There may be some problem here with signs and data length. Note that the array itself must contain fewer than 256 elements. The use of the instruction CLR \$40 rather than DEC \$40 to clear the interchange flag means that there will be no difficulty if the number of elements or interchanges exceeds 128.

We could check the effects of sign by picking half the regular test cases with numbers of elements between 128 and 255 and half between 2 and 127. All magnitudes should be chosen randomly so as to avoid unconscious bias as much as possible.

### Testing Example 2: Self-Checking Numbers (see Chapter 8)

Here we will presume that a prior validity check has ensured that the number has the right length and consists of valid digits. Since the program makes no other distinctions, test data should be selected randomly. Here a random number table or random number generator will prove ideal; the range of the random numbers is 0 to 9.

**TESTING AN  
ARITHMETIC  
PROGRAM**

### TESTING PRECAUTIONS

The designer can simplify the testing stage by designing programs sensibly. You should use the following rules:

- 1) Try to eliminate trivial cases as early as possible without introducing unnecessary distinctions.
- 2) Minimize the number of special cases. Each special case means additional testing and debugging time.

**RULES FOR  
TESTING**

- 3) Consider performing validity or error checks on the data prior to processing.
- 4) Be careful of inadvertent and unnecessary distinctions, particularly in handling signed numbers or using operations that refer to signed numbers.
- 5) Check boundary cases by hand. These are often a source of errors. Be sure that the problem definition specifies what is to happen in these cases.
- 6) Make the program as general as reasonably possible. Each distinction and separate routine increases the required testing.
- 7) Divide the program and design the modules so that testing can proceed in steps in conjunction with the other stages of software development.

## CONCLUSIONS

Debugging and testing are the stepchildren of the software development process. Most projects leave far too little time for them and most textbooks neglect them. But designers and managers often find that these stages are the most expensive and time-consuming. Progress may be very difficult to measure or produce. Debugging and testing microprocessor software is particularly difficult because the powerful hardware and software tools that can be used on larger computers are seldom available for microcomputers.

The designer should plan debugging and testing carefully. We recommend the following procedure:

- 1) Try to write programs that can easily be debugged and tested. Modular programming, structured programming, and top-down design are useful techniques.
- 2) Prepare a debugging and testing plan as part of the program design. Decide early what data you must generate and what equipment you will need.
- 3) Debug and test each module as part of the top-down design process.
- 4) Debug each module's logic systematically. Use checklists, breakpoints, and the single-step mode. If the program logic is complex, consider using the software simulator.
- 5) Check each module's timing systematically if this is a problem. An oscilloscope can solve many problems if you plan the test properly. If the timing is complex, consider using a logic or microprocessor analyzer.
- 6) Be sure that the test data is a representative sample. Watch for any classes of data that the program may distinguish. Include all special and trivial cases.
- 7) If the program handles each element differently or the number of cases is large, select the test data randomly.
- 8) Record all test results as part of the documentation. If problems occur, you will not have to repeat test cases that have already been checked.



# Chapter 15

## DOCUMENTATION AND REDESIGN

The actual working program is not the only requirement of software development. Adequate documentation is also an important part of a software product. Not only does documentation help the designer in the testing and debugging stages, it is also essential for later use and extension of the program. A poorly documented program will be difficult to maintain, re-use, or extend.

Occasionally, the first version of a program uses too much memory or executes too slowly. The designer must then consider ways to improve the program. This stage is called redesign, and requires that you concentrate on the parts of the program that can yield the most improvement.

### SELF-DOCUMENTING PROGRAMS

Although no program is ever completely self-documenting, some of the rules that we mentioned earlier can help. These include:

|                                                    |
|----------------------------------------------------|
| <b>RULES FOR<br/>SELF-DOCUMENTING<br/>PROGRAMS</b> |
|----------------------------------------------------|

- Clear, simple structure with as few transfers of control (jumps) as possible
- Use of meaningful names and labels
- Use of names for I/O devices, parameters, numerical factors, etc.
- Emphasis on simplicity rather than on minor savings in memory usage, execution time, or typing

For example, the following program sends a string of characters to a teletypewriter:

```
LDAB    $40
LDX     #$1000
W      LDAA    X
      STAA    $8008
      JSR     XXX
      INX
      DECB
      BNE    W
      SWI
```

Even without comments we can improve the program, as follows:

```
COUNT EQU    $40
MESSG EQU    $1000
TTYPIA EQU    $8008
      LDAB    COUNT
      LDX     #MESSG
OUTCH LDAA    X
      STAA    TTYPIA
      JSR     BITDLY
      INX
      DECB
      BNE    OUTCH
      SWI
```

Surely this program is easier to understand than the earlier version. Even without further documentation, you could probably guess at the function of the program and the meanings of most of the variables. Other documentation techniques cannot substitute for self-documentation.

Some further notes on choosing names:

**CHOOSING  
USEFUL  
NAMES**

- 1) Use the obvious name when it is available, like TTY or CRT for output devices, START or RESET for addresses, DELAY or SORT for subroutines, COUNT or LENGTH for data.
- 2) Avoid acronyms like S16BA for SORT 16-BIT ARRAY. These seldom mean anything to anybody.
- 3) Use full words or close to full words when possible, like DONE, PRINT, SEND, etc.
- 4) Keep the names as distinct as possible.

**COMMENTS**

The most obvious form of additional documentation is the comment. However, very few programs (including most of those in books) have really effective comments. You should consider the following guidelines for good comments.

- 1) Don't repeat the meaning of the instruction code. Rather, explain the purpose of the instruction in the program. Comments like

DECB B = B-1

add nothing to documentation. Rather, use

DECB LINE NUMBER = LINE NUMBER-1

Remember that you know what the operation codes mean and anyone else can look them up in the manual. The important point is to explain what task the program is performing.

- 2) Make the comments as clear as possible. Do not use abbreviations or acronyms unless they are well-known (like ASCII, PIA, or UART) or standard (like no for number, ms for millisecond, etc.). Avoid comments like

DECB LN = LN-1

or

DECB DEC. LN BY 1

The extra typing simply is not all that expensive.

- 3) Comment every important or obscure point. Be particularly careful to mark operations that may not have obvious functions, such as

ANDA #%00100000 TAPE READER BIT OFF

or

LDAA GCDLX INDEX GRAY CODE TABLE

Clearly, I/O operations often require extensive comments. If you're not exactly sure of what an instruction does, or if you have to think about it, add a clarifying comment. The comment will save you time later and will be helpful in documentation.

**COMMENTING  
GUIDELINES**

- 4) Don't comment the obvious. A comment on each line simply makes it difficult to find the important points. Standard sequences like

```

    INX
    DECB
    BNE    SRCH

```

need not be marked unless you're doing something special. One comment will often suffice for several lines, as in

```

    LSRA                                GET MOST SIGNIFICANT DIGIT
    LSRA
    LSRA
    LSRA

    LDAA    $40                        EXCHANGE MOST SIGNIFICANT...
    LDAB    $41                        AND LEAST SIGNIFICANT BYTES
    STAA    $41
    STAB    $40

```

- 5) Place comments on the lines to which they refer or at the start of a sequence.
- 6) Keep your comments up-to-date. If you change the program, change the comments.
- 7) Use standard forms and terms in commenting. Don't worry about repetitiveness. Varied names for the same things are confusing, even if the variations are just COUNT and COUNTER, START and BEGIN, DISPLAY and LEDS, or PANEL and SWITCHES.
- There's no real gain in not being consistent. The variations may seem obvious to you now, but may not be clear later; others will get confused from the very beginning.
- 8) Make comments brief. Leave a complete explanation to the documentation. Otherwise, the program gets lost in the comments and you may have a hard time even finding it.
- 9) Keep improving your comments. If you come to one that you can't read or understand, take the time to change it. If you find that the listing is getting crowded, add some blank lines. The comments won't improve themselves; in fact, they'll just seem to become worse as you leave the task behind and forget exactly what you did.

Remember, comments are important. Good ones will save you time and effort. Put some work into comments and try to make them as effective as possible.

### Commenting Example 1: Multiple-Precision Addition

**COMMENTING  
EXAMPLES**

The basic program is:

```

    LDAB    $40
    LDX     #$41
    CLC
ADDW    LDAA    X
        ADCA    $10,X
        STAA    X
        INX
        DECB
        BNE     ADDW
        SWI

```

## 15-4 6800 Assembly Language Programming

First, comment the important points. These are typically initializations, data fetches, and processing operations. Don't bother with standard sequences like updating pointers and counters. Remember that names are clearer than numbers, so use them freely.

The new version of the program is:

```
LENG EQU $40
NUMB1 EQU $41
N2OFF EQU $10
      LDAB LENG COUNT=LENGTH OF NUMBERS
      LDX #NUMB1 START AT LSBS OF NUMBERS
      CLC
ADDW LDAA X GET 8 BITS OF 1ST NUMBER
      ADCA N2OFF,X ADD 8 BITS OF 2ND NUMBER
      STAA X STORE SUM IN 1ST NUMBER
      INX
      DECB
      BNE ADDW
      SWI
```

Second, look for any instructions that might not have obvious functions and mark them. Here, the purpose of CLC is to clear the Carry the first time through.

**QUESTIONS  
FOR  
COMMENTING**

Third, ask yourself whether the comments tell you what you would need to know if you wanted to use the program, e.g.:

- 1) Where is the program entered? Are there alternative entry points?
- 2) What parameters are necessary? How and in what form must they be supplied?
- 3) What operations does the program perform?
- 4) From where does it get the data?
- 5) Where does it store the results?
- 6) What special cases does it consider?
- 7) What does the program do about errors?
- 8) How does it exit?

Some of the questions may not be relevant to a particular program and some of the answers may be obvious. Make sure that you won't have to sit down and dissect the program to figure out what the answers are. Remember that too much explanation is just dead wood that you will have to clear out of the way. Is there anything that you would add to or subtract from this listing? If so, go ahead — you are the one who has to feel that the commenting is adequate and reasonable.

```
LENG EQU $40
NUMB1 EQU $41
N2OFF EQU $10
      LDAB LENG COUNT=LENGTH OF NUMBERS
      LDX #NUMB1 START AT LSBS OF NUMBERS
      CLC CLEAR CARRY FOR LSBS
ADDW LDAA X GET 8 BITS OF 1ST NUMBER
      ADCA N2OFF,X ADD 8 BITS OF 2ND NUMBER
      STAA X STORE SUM IN 1ST NUMBER
      INX
      DECB
      BNE ADDW
      SWI
```

**Commenting Example 2: Teletypewriter Output**

The basic program is:

```

          LDAA    $40
          ASLA
          LDAB    #11
TBIT     STAA    $8008
          JSR     BITD
          RORA
          SEC
          DECB
          BNE     TBIT
          SWI

```

Commenting the important points and adding names gives:

```

NBITS    EQU     11           NUMBER OF BITS IN CHARACTER
TDATA    EQU     $40        ADDRESS OF TRANSMITTED DATA
TTYPIA   EQU     $8008
          LDAA    TDATA      GET DATA
          ASLA                    START BIT = 0
          LDAB    #NBITS      COUNT = NUMBER OF BITS IN CHARACTER
TBIT     STAA    TTYPIA      SEND BIT TO TTY
          JSR     BITD        WAIT 1 BIT TIME
          RORA                    GET NEXT BIT
          SEC                    STOP BIT = 1
          DECB
          BNE     TBIT
          SWI

```

Note how easily we could change this program so that it would transfer a whole string of data, starting at the address in locations DPTR and DPTR+1 and ending with an "03" (ASCII ETX) character. Furthermore, let us make the terminal a 30 cps device with one stop bit (we will have to change BITD). Try making the changes before looking at the listing.

```

DPTR     EQU     $40        START OF OUTPUT BUFFER
ENDCH    EQU     3         ENDING CHARACTER = ETX
NBITS    EQU     10        NUMBER OF BITS PER CHARACTER
TRMPIA   EQU     $8008
          LDX     DPTR      GET STARTING ADDRESS
TCHAR    LDAA    X         GET A CHARACTER
          CMPA   #ENDCH    IS IT ENDING CHARACTER?
          BEQ    DONE      YES, DONE
          ASLA
          LDAB   #NBITS    COUNT = NUMBER OF BITS
TBIT     STAA   TRMPIA    SEND BIT TO TTY
          JSR   BITD      WAIT 1 BIT TIME
          RORA                    GET NEXT BIT
          SEC                    STOP BIT = 1
          DECB
          BNE   TBIT
          INX
          BRA   TCHAR
DONE     SWI

```

Good comments can make it easy for you to change a program to meet new requirements. For example, try changing the last program so that it:

- Starts each message with ASCII STX (02 hex) followed by a three-digit identification code stored in memory locations 0030 through 0032
- Adds no start or stop bits
- Waits 1 ms between bits
- Transmits 40 characters, starting with the one located at the address in DPTR and DPTR+1
- Ends each message with two consecutive ASCII ETXs (03 hex)

### FLOWCHARTS AS DOCUMENTATION

We have already described the use of flowcharts as a design tool in Chapter 13. Flowcharts are also useful in documentation, particularly if:

**HINTS FOR  
USING  
FLOWCHARTS**

- They are not so detailed as to be unreadable
- Their decision points are clearly explained and marked
- They include all branches
- They correspond to the actual program listings

Flowcharts are helpful if they give you an overall picture of the program. They are not helpful if they are just as difficult to read as an ordinary listing.

### STRUCTURED PROGRAMS AS DOCUMENTATION

Structured programs (see Chapter 13) can also serve as part of the documentation if:

- You describe the purpose of each section in the comments
- You make it clear which statements are included in each conditional or loop structure by using indentation and ending markers
- You make the total structure as simple as possible
- You use a consistent, well-defined language

The structured program can help you to check the logic or to improve it. Furthermore, since the structured program is machine-independent, it can also aid you in implementing the same task on another computer.

### MEMORY MAPS

A memory map is simply a list of all the memory assignments in a program. The map allows you to determine the amount of memory needed, the locations of data or subroutines, and the parts of memory not allocated. The map is a handy reference for finding storage locations and entry points and for dividing memory between different routines or programmers. The map will also give you easy access to data and subroutines if you need them in later extensions or in maintenance. Sometimes a graphical map is more helpful than a listing.

A typical map would be:

Program Memory

| <u>Address</u> | <u>Routine</u> | <u>Purpose</u>                         |
|----------------|----------------|----------------------------------------|
| E000-E1FF      | INTRPT         | INTERRUPT SERVICE ROUTINE FOR KEYBOARD |
| E200-E240      | BRKPT          | SOFTWARE INTERRUPT ROUTINE             |
| E241-E250      | DELAY          | DELAY PROGRAM                          |
| E251-E270      | DSPLY          | DISPLAY CONTROL PROGRAM                |
| E271-E3F7      | MAIN           | MAIN PROGRAM                           |
| E3F8-E3FF      |                | INTERRUPT AND RESET VECTORS            |

**TYPICAL  
MEMORY  
MAP**

## Data Memory

|       |       |                         |
|-------|-------|-------------------------|
| 0     | NKEYS | NUMBER OF KEYS          |
| 1- 2  | KPTR  | KEYBOARD BUFFER POINTER |
| 3-20  | TEMP  | TEMPORARY STORAGE       |
| 21-60 | KBFR  | KEYBOARD BUFFER         |
| 61-70 | DBFR  | DISPLAY BUFFER          |
| 71-7F | STACK | RAM STACK               |

The map may also list additional entry points and include a specific description of the unused parts of memory.

**PARAMETER AND DEFINITION LISTS**

Parameter and definition lists at the start of the program and each subroutine make understanding and changing the program far simpler. The following rules can help:

- 1) Separate RAM locations, I/O units, parameters, definitions, and memory system constants.
- 2) Arrange lists alphabetically when possible, with a description of each entry.
- 3) Give each parameter that might change a name and include it in the lists. Such parameters may include timing constants, inputs or codes corresponding to particular keys or functions, control or masking patterns, starting or ending characters, thresholds, etc.
- 4) Make the memory system constants into a separate list. These constants will include Reset and interrupt service addresses, the starting address of the program, RAM areas, Stack areas, etc.
- 5) Give each port used by an I/O device a name, even though devices may share ports in the current system. The separation will make expansion or reconfiguration much simpler.

|                                           |
|-------------------------------------------|
| <b>RULES FOR<br/>DEFINITION<br/>LISTS</b> |
|-------------------------------------------|

A typical list of definitions is:

```

*
* MEMORY SYSTEM CONSTANTS
*
RESET EQU $E300 RESET ADDRESS
INTRP EQU $E200 INTERRUPT ENTRY
RAMST EQU 0 START OF DATA STORAGE
STPTR EQU $017F START OF STACK
*
* I/O UNITS
*
DSPLY EQU $8006 OUTPUT PIA FOR DISPLAYS
KBDIN EQU $8004 INPUT PIA FOR KEYBOARD
KBDOT EQU $8006 OUTPUT PIA FOR KEYBOARD
TTYPIA EQU $8008 TTY DATA PORT
*
* RAM MEMORY
*
NKEYS RMB 1 NUMBER OF KEYS
KPTR RMB 2 KEYBOARD BUFFER POINTER
KBFR RMB $40 KEYBOARD INPUT BUFFER
DBFR RMB $10 DISPLAY DATA BUFFER
TEMP RMB $14 TEMPORARY STORAGE
*

```

|                                        |
|----------------------------------------|
| <b>TYPICAL<br/>DEFINITION<br/>LIST</b> |
|----------------------------------------|

\* PARAMETERS

|        |     |      |                            |
|--------|-----|------|----------------------------|
| GOKEY  | EQU | 10   | IDENTIFICATION OF "GO" KEY |
| MSCNT  | EQU | \$7C | COUNT FOR 1 MS DELAY       |
| OPEN   | EQU | \$0F | PATTERN FOR OPEN KEYS      |
| TBOUNC | EQU | 2    | DEBOUNCE TIME IN MS        |
| TPULS  | EQU | 1    | PULSE LENGTH FOR DISPLAYS  |

\* DEFINITIONS

|       |     |      |                        |
|-------|-----|------|------------------------|
| ALL1  | EQU | \$FF | ALL ONES PATTERN       |
| STCON | EQU | \$08 | START CONVERSION PULSE |

Of course, the RAM entries will usually not be in alphabetical order, since the designer must order these so as to minimize the number of address changes required in the program.

**LIBRARY ROUTINES**

Standard documentation of subroutines will allow you to build up a library of useful programs. The idea is to make these programs as easily accessible as possible. A standard format will allow you or anyone else to see at a glance what the program does. The best procedure is to make up a standard form and use it consistently. Save these programs in a well-organized manner (for example, according to processor, language, and type of program), and you will soon have a useful set. But remember that, without organization and proper documentation, using the library may be more difficult than rewriting the program from scratch. Debugging a system requires a precise understanding of all the effects of each subroutine.

Among the information that you will need in the standard form is:

- Purpose of the program
- Processor used
- Language used
- Parameters required and how they are passed to the subroutine
- Results produced and how they are passed to the main program
- Number of bytes of memory used
- Number of clock cycles required. This number may be an average or a typical figure, or it may vary widely. Actual execution time will, of course, depend on the processor clock rate.
- Registers affected
- Flags affected
- A typical example
- Error handling
- Special cases
- Documented program listing



If the program is complex, the standard library form should also include a general flowchart or a structured program. As we have mentioned before, a library program is most likely to be useful if it performs a single distinct function in a reasonably general manner.

**LIBRARY EXAMPLES****Library Example 1: Sum of Data**

**Purpose:** The program SUM8 computes the sum of a set of 8-bit unsigned binary numbers.

**Language:** 6800 assembler.

**Initial Conditions:** Starting address of set of numbers in the Index register and length of set in Accumulator B.

**Final Conditions:** Sum in Accumulator A.

**Requirements:**

Memory - 8 bytes  
 Time -  $7+15N$  clock cycles, where N is the length of the set of numbers.  
 Registers - A, B, X  
 All flags affected

**Typical Case:** (all data in hexadecimal)

Start:  
           (X) = 0050  
           (B) = 03  
           (0050) = 27  
           (0051) = 3E  
           (0052) = 26  
 End:  
           (A) = 8B

**Error Handling:** Program ignores all carries. Carry bit only reflects the last operation. Initial contents of Accumulator B must be 1 or more.

**Listing:**

```

*
* SUM OF 8-BIT DATA
*
SUM8  CLRA          SUM = ZERO
ADD8  ADDA  X      SUM = SUM+DATA ENTRY
      INX
      DECB
      BNE   ADD8
      RTS

```

**Library Example 2: Decimal-to-Seven-Segment Conversion**

**Purpose:** The program SEVEN converts a decimal number to a seven-segment display code.

**Language:** 6800 assembler.

**Initial Conditions:** Data in Accumulator A.

**Final Conditions:** Seven-segment code in Accumulator B.

**Requirements:**

Memory - 26 bytes, including seven-segment table SSEG  
 Time - 30 clock cycles if decimal, 13 if not  
 Registers - A, B, X  
 All flags affected  
 RAM - locations 3E and 3F.

Input data in A is destroyed.

## 15-10 6800 Assembly Language Programming

**Typical Case:** (data in hexadecimal)

Start:  
                                  (A) = 05  
End:  
                                  (B) = 6D

**Error Handling:** Program returns zero in Accumulator B if data is not a decimal digit.

**Listing:**

```
•
* DECIMAL TO SEVEN-SEGMENT CONVERSION
•
TEMPX EQU $3E      TEMPORARY STORAGE
SEVEN CLRB         GET ERROR CODE (BLANK)
      CMPA #9      IS DATA DECIMAL?
      BHI DONE    NO, NO CONVERSION NEEDED
      STAA TEMPX+1 USE DATA IN TABLE ADDRESS
      LDAA #SSEGU GET MSB OF TABLE ADDRESS
      STAA TEMPX
      LDX TEMPX   GET OFFSET TABLE ADDRESS
      LDAB SSEGL.X GET SEVEN-SEGMENT CODE FROM TABLE

DONE  RTS
SSEG  FCB $3F,$06,$5B,$4F,$66
      FCB $6D,$7D,$07,$7F,$6F
SSEGU EQU SSEG/256
SSEGE EQU SSEGU*256
SSEGL EQU SSEGU-SSEGE
```

### Library Example 3: Decimal Sum

**Purpose:** The program DECSM adds two multi-word decimal numbers.

**Language:** 6800 assembler.

**Initial Conditions:** Address of LSBs of one number in Index register, address of LSBs of other number is 10 (hex) larger. Length of numbers (in words) in Accumulator B. Numbers arranged starting with LSBs.

**Final Conditions:** Sum replaces number with starting address in Index register.

**Requirements:**

Memory - 13 bytes  
Time - 7+27N clock cycles, where N is the number of words  
Registers - A, B, X  
All flags affected - Carry shows if sum produced a carry.

**Typical Case:** (all data in hexadecimal)

Start:  
                                  (X) = 40  
                                  (B) = 2  
                                  (0040) = 34  
                                  (0041) = 55  
                                  (0050) = 88  
                                  (0051) = 15  
End:  
                                  (0040) = 22  
                                  (0041) = 71  
                                  Carry = 0

**Error Handling:** Program does not check the validity of decimal inputs. (B) must be 1 or greater.

**Listing:**

```

•
• * MULTIPLE-PRECISION DECIMAL ADDITION
•
DECSM  CLC          CLEAR CARRY FOR LSBS
DECAD  LDAA   X      GET 2 DIGITS FROM 1ST NUMBER
        ADCA  $10,X  ADD 2 DIGITS FROM 2ND NUMBER
        DAA          DECIMAL CORRECTION
        STAA  X      STORE RESULT AS 1ST NUMBER
        INX
        DECB
        BNE   DECAD
        RTS

```

## TOTAL DOCUMENTATION

Complete documentation of microprocessor software will include all or most of the elements that we have mentioned. So, the total documentation package may involve:

**DOCUMENTATION  
PACKAGE**

- General flowcharts
- A written description of the program
- A list of all parameters and definitions
- A memory map
- A documented listing of the program
- A description of the test plan and test results

The documentation may also include:

- Programmers' flowcharts
- Structured programs

Documentation should not be taken lightly or postponed until the end of the software development. Proper documentation, combined with proper programming practices, is not only an important part of the final product but can also make development simpler, faster, and more productive. The designer should make consistent and thorough documentation part of every stage of software development.

## REDESIGN

Sometimes the designer may have to squeeze the last microsecond of speed or the last byte of extra memory out of a program. As memory chips have become larger, the memory problem has become less serious. The time problem, of course, is only serious if the application is time-critical; in many applications the microprocessor spends most of its time waiting for external devices, and program speed is not a major factor.

Squeezing the last bit of performance out of a program is hardly ever as important as some writers would have you believe. In the first place, the practice is expensive for the following reasons:

**COST OF  
REDESIGN**

- 1) It requires extra programmer time, which is often the single largest cost in software development.
- 2) It sacrifices structure and simplicity with a resulting increase in debugging and testing time.
- 3) The programs require extra documentation.

- 4) The resulting programs will be difficult to extend, maintain, or re-use.

In the second place, the lower per-unit cost and higher performance may not really be important. Will the lower cost and higher performance really sell more units? Or would you do better with more user-oriented features? The only applications that would seem to justify the extra effort and time are very high-volume, low-cost and low-performance applications, where the cost of an extra memory chip will far outweigh the cost of the extra software development. For other applications, you will find that you are playing an expensive game for no reason.

However, if you must redesign a program, the following hints will help. First, determine how much more performance or how much less memory usage is necessary. If the required improvement is 25% or less, you may be able to achieve it by reorganizing the program. If it is more than 25%, you have made a basic design error; you will need to consider drastic changes in hardware or software. We will deal first with reorganization and later with drastic changes. You should also look at Chapter 5 of 6800 Programming for Logic Design for some examples.

**MAJOR OR  
MINOR  
REORGANIZATION**

Note particularly that saving memory can be critical if it allows a program to fit into the limited amount of ROM and RAM available in a simple one-chip or two-chip microcomputer. The hardware cost for small systems can thus be substantially reduced, if their requirements can be limited to the memory size and I/O limitations of that particular one-chip or two-chip system.

### **REORGANIZING TO USE LESS MEMORY**

In general, reorganizing a program to use less memory will also result in higher speed. However, this is not necessarily the case, and higher speed is a less common goal than shorter programs.

**SAVING  
MEMORY**

The following procedures will reduce memory usage for 6800 assembly language programs:

- 1) Replace repetitious in-line code with subroutines. Be sure, however, that the Call and Return instructions do not offset most of the gain. Note that this replacement usually results in slower programs, because of the time spent in transferring control back and forth.
- 2) Place the most frequently used data on page zero and access it with one-word direct addresses. You may even want to place a few I/O addresses there.
- 3) Use the Stack when possible. The Stack Pointer is automatically updated after each use so that no explicit updating instructions are necessary. Use the Return instructions as jumps; they require no explicit addresses, but you will have to organize the Stack cleverly.
- 4) Eliminate jump statements. Try to reorganize the program instead.
- 5) Take advantage of addresses that you can manipulate as 8-bit quantities. These include locations on page zero and addresses that are multiples of 100<sub>16</sub>.
- 6) Organize data and tables so that you can address them without worrying about carries or without any actual indexing. This will again allow you to manipulate 16-bit addresses as 8-bit quantities.
- 7) Use the 16-bit instructions to perform two separate 8-bit operations. This may be particularly useful in initialization, storing results, and performing I/O.
- 8) Use leftover results from previous sections of the program.
- 9) Take advantage of such instructions as DEC, INC, CLR, COM, etc., which place their results directly in memory.
- 10) Use SWI to reach subroutines if you are not using it as a debugging instruction.

- 11) Use INC or DEC to change bit 0 or to move from FF (hex) to zero.
- 12) Use the shorter relative jumps or jumps with indexing, rather than jumps with extended addressing.
- 13) Use indexed addressing rather than extended addressing to handle PIAs and other cases where several addresses are close together.
- 14) Use algorithms rather than tables to calculate arithmetic or logical expressions and to perform code conversions. Note that this replacement may result in slower programs.
- 15) Reduce the size of mathematical tables by interpolating between entries. Here again, we are saving memory at the cost of execution time.

Although some of the methods that reduce memory usage will also save time, you can generally only save an appreciable amount of time by concentrating on frequently executed loops. Even completely eliminating an instruction that is only executed once can save at most a few microseconds. But a savings in a loop that is executed frequently will be multiplied many times over.

|                                      |
|--------------------------------------|
| <b>SAVING<br/>EXECUTION<br/>TIME</b> |
|--------------------------------------|

So, if you must reduce execution time, proceed as follows:

- 1) Determine how frequently each program loop is executed. You can do this by hand or by using the software simulator or other testing methods.
- 2) Examine the loops in the order determined by their frequency of execution, starting with the most frequently executed. Continue through the list until you achieve the required reduction.
- 3) First, see if there are many operations that can be moved outside the loop; i.e., repetitive calculations, data that can be placed in a register or in the Stack, addresses that can be placed in registers, special cases or errors that can be handled externally, etc. Note that this will require extra initialization and memory but will save time.
- 4) Try to eliminate jump statements. These are very time consuming. Or, use jumps with extended addressing that take more memory but less time than jumps with relative addressing. But, note that, while JMP is faster than BRA, JSR is slower than BSR.
- 5) Replace subroutines by in-line code. This will save at least a Jump-to-Subroutine and a Return-from-Subroutine.
- 6) Use the Stack for temporary data storage.
- 7) Use any of the hints mentioned in saving memory that also decrease execution time. These include the use of 8-bit addresses, 16-bit instructions, etc.
- 8) Try to get everything you can out of the most frequently executed loops, because of the high multiplying factors involved.
- 9) Do not even look at instructions that are only executed once. Any changes you make in such instructions only invite errors, for no appreciable gain.
- 10) Avoid indexed and relative addressing whenever possible, because they take extra time.
- 11) Use tables rather than algorithms; make the tables handle as much of the tasks as possible even if many entries must be repeated.

## MAJOR REORGANIZATIONS

If you need more than a 25% increase in speed or decrease in memory usage, do not bother to try reorganizing the code. Your chances of getting that much of an improvement are small unless you call in an outside expert. You are generally better off making a major change.

The most obvious change is a better algorithm. Particularly if you are doing sorts, searches, or mathematical calculations, you may be able to find a faster or shorter method in the literature. Libraries of algorithms are available in some journals and from professional groups. See, for example, References 1 through 9 at the end of this chapter.

**BETTER  
ALGORITHMS**

More hardware can replace some of the software. Counters, shift registers, arithmetic units, hardware multipliers, and other fast add-ons can save both time and memory. Calculators, UARTs, keyboards, encoders, and other slower add-ons may save memory even though they operate slowly. Compatible parallel and serial interfaces, and other devices specially designed for use with the 6800, may save time by taking some of the burden off the CPU.

Other changes may help as well:

- 1) A CPU with a longer word will be faster if the data is long enough. Such a CPU will use less total memory. 16-bit processors, for example, use memory more efficiently than 8-bit processors, since more of their instructions are one word long.
- 2) Versions of the CPU may exist that operate at higher clock rates. But remember that you will need faster memory and I/O ports and you will have to adjust any delay loops.
- 3) Two CPUs may be able to do the job in parallel or separately if you can divide the job and solve the communications problem.
- 4) A specially microprogrammed processor may be able to execute the same program much faster. The cost, however, will be much higher even if you use an off-the-shelf emulation.
- 5) You can make tradeoffs between time and memory. Lookup tables and function ROMs will be faster than algorithms, but will occupy more memory.

**OTHER  
MAJOR  
CHANGES**

This kind of problem, in which a large improvement is necessary, usually results from lack of adequate planning in the definition and design stages. In the problem definition stage you should determine which processor and methods will be adequate to handle the problem. If you misjudge, the cost later will be high. A cheap solution may result in an unwarranted expenditure of expensive development time. Do not try to just get by; the best solution is usually to do the proper design and chalk a failure up to experience. If you have followed such methods as flowcharting, modular programming, structured programming, top-down design, and proper documentation, you will be able to salvage a lot of your effort even if you have to make a major change.

**DECIDING  
ON A MAJOR  
CHANGE**

## REFERENCES

- <sup>1</sup> Collected Algorithms from ACM, ACM, Inc., P.O. Box 12105, Church Street Station, New York 10249.
- <sup>2</sup> Chen, T.C., "Automatic Computation of Exponentials, Logarithms, Ratios, and Square Roots", IBM Journal of Research and Development, Volume 18, pp. 380-388, July 1972.
- <sup>3</sup> H. Schmid, Decimal Computation, Wiley-Interscience, New York, 1974.
- <sup>4</sup> Knuth, D.E., The Art of Computer Programming, Volume I: Fundamental Algorithms, Addison-Wesley, 1967.
- <sup>5</sup> Knuth, D.E., The Art of Computer Programming, Volume 2: Semi-numerical Algorithms, Addison-Wesley, 1969.
- <sup>6</sup> Knuth, D.E., The Art of Computer Programming, Volume 3: Sorting and Searching, Addison-Wesley, 1973.
- <sup>7</sup> Carnahan, B., et al., Applied Numerical Methods, Wiley, New York, 1969.
- <sup>8</sup> Despain, A.M., "Fourier Transform Computers Using CORDIC Iterations", IEEE Transactions on Computers, October 1974, pp. 993-1001.
- <sup>9</sup> Luke, Y.L., Algorithms for the Computation of Mathematical Functions, Academic Press, New York, 1977.
- <sup>10</sup> Dollhoff, T., "μP Software: How to Optimize Timing and Memory Usage", Digital Design, November 1976, pp. 56-69.



# Chapter 16

## SAMPLE PROJECTS

### PROJECT #1: A Digital Stopwatch

**Purpose:** This project is a digital stopwatch. The operator enters two digits (minutes and tenths of minutes) from a calculator-like keyboard and then presses the GO key. The system counts down the remaining time on two seven-segment LED displays (see Chapter 11 for a description of unencoded keyboards and LED displays).

**STOPWATCH  
INPUT  
PROCEDURE**

**Hardware:** The project uses one input and one output port (one 6820 Peripheral Interface Adapter), two seven-segment displays, a 12-key keyboard, a 7404 inverter, and either a 7400 NAND gate or a 7408 AND gate, depending on the polarity of the seven-segment displays. The displays may require drivers, inverters, and resistors, depending on their polarity and configuration.

The hardware is organized as shown in Figure 16-1. Output lines 0, 1, and 2 are used to scan the keyboard. Input lines 0, 1, 2, and 3 are used to determine whether any keys have been pressed. Output lines 0, 1, 2, and 3 are used to send BCD digits to the seven-segment decoder/drivers. Output line 4 is used to activate the LED displays (if line 4 is '1', the displays are lit). Output line 5 is used to select the left or right display: output line 5 is '1' if the left display is being used, '0' if the right display is being used. Thus the common line on the left display should be active if line 4 is '1' and line 5 is '1', while the common line on the right display should be active if line 4 is '1' and line 5 is '0'. Output line 6 controls the decimal point on the left display. It may be driven with an inverter or simply left on.

16-2 6800 Assembly Language Programming

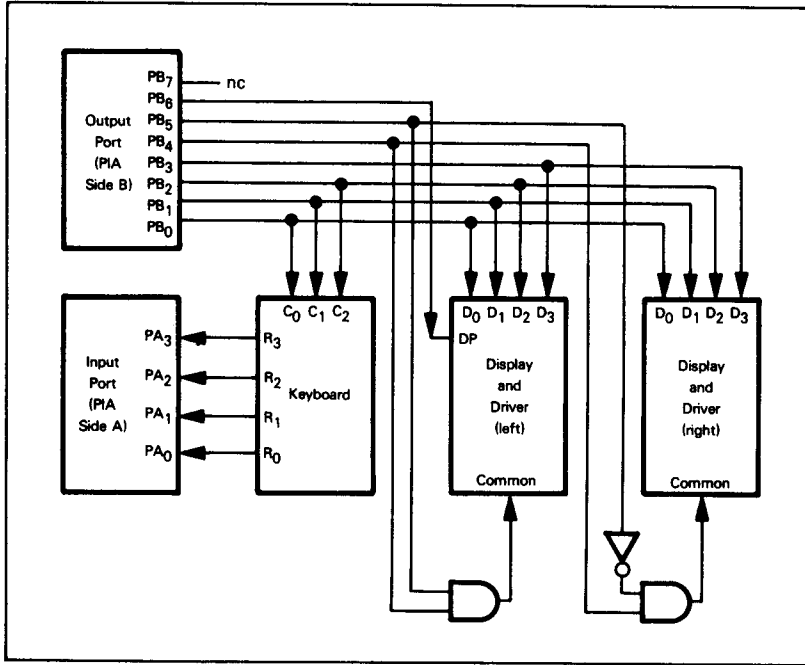


Figure 16-1. I/O Configuration for a Digital Stopwatch

**Keyboard Connections:** The keyboard is a simple calculator keyboard available for 50¢ from a local source. It consists of 12 unencoded key-switches arranged in four rows of three columns each. Since the wiring of the keyboard does not coincide with the observed rows and columns, the program uses a table to identify the keys. Tables 16-1 and 16-2 contain the input and output connections for the keyboard. The decimal point key is present for operator convenience and for future expansion; the current program does not actually use the key.

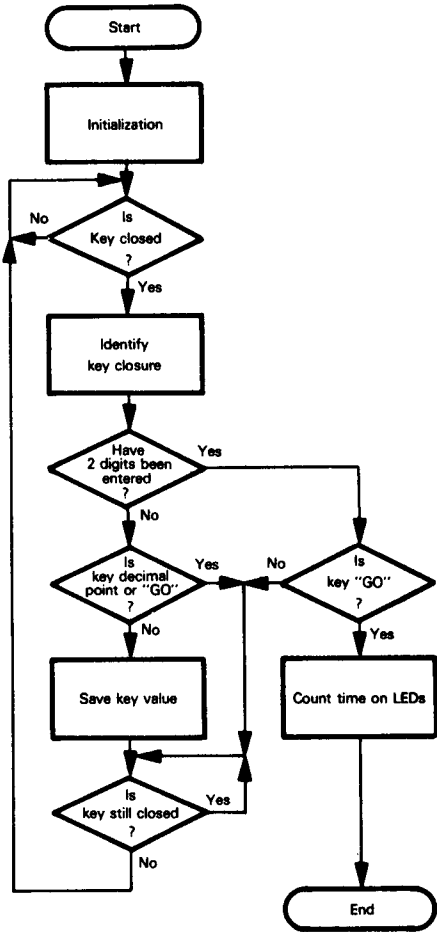
Table 16-1. Input Connections For Timer Keyboard

| Input Bit | Keys Connected |
|-----------|----------------|
| 0         | '3', '5', '8'  |
| 1         | '2', '6', '9'  |
| 2         | '0', '1', '7'  |
| 3         | '4', '.', 'GO' |

Table 16-2. Output Connections For Timer Keyboard

| Output Bit | Keys Connected      |
|------------|---------------------|
| 0          | '0', '2', '3', '4'  |
| 1          | '1', '8', '9', 'GO' |
| 2          | '5', '6', '7', '.'  |

General Program Flowchart:



**Program Description:**

The program is modular and has several subroutines. The emphasis is on clarity and generality rather than efficiency; obviously, the program does not utilize the full capabilities of the 6800 processor. Each section of the listing will now be described in detail.

1) Introductory Comments

The introductory comments fully describe the program; these comments are a reference so that other users can easily apply, extend, and understand the program. Standard formats, indentations, and spacings increase the readability of the program.

2) Variable Definitions

All variable definitions are placed at the start of the program so that they can easily be checked and changed. Each variable is placed in a list alphabetically with other variables of the same type; comments describe the meaning of each variable. The categories are:

- a) Memory system constants that may vary from system to system depending on the memory space allocated to different programs or types of memories
- b) Temporary storage (RAM) used for variables
- c) I/O (PIA) addresses
- d) Definitions

The memory system constants are placed in the definitions so that the user may relocate the program, temporary storage, and memory stack without making any other changes. The memory constants can be changed to accommodate other programs or to coincide with a particular system's allocation of ROM and RAM addresses.

Temporary storage is allocated by means of RMB (Reserve Memory Bytes) pseudo-operations. An ORG (origin) pseudo-operation places the temporary storage locations in a particular part of memory. No values are placed in these locations so that the program could eventually be placed in ROM or PROM and the system could be operated from power-on reset without reloading.

Each memory address occupied by a PIA is named so that the addresses can easily be changed to handle varied configurations. The naming also serves to clearly distinguish control registers from data registers.

The definitions clarify the meaning of certain constants and allow parameters to be changed easily. Each definition is given in the form (binary, hex, octal, ASCII, or decimal) in which its meaning is the clearest. Parameters (such as debounce time) are placed here so that they can be varied with system needs.

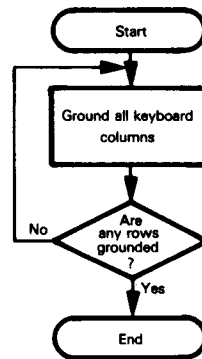
3) Initialization

Locations FFFE and FFFF (the 6800 RESET locations) contain the address of the starting point of the main program. The main program can thus be placed anywhere in memory and reached via a "RESET" signal.

The initialization consists of four steps:

- a) Place a starting value in the Stack Pointer. The Stack is only used to store subroutine return addresses.
- b) Initialize the Control, Data Direction, and Data registers of the PIA.
- c) Start the number of digit keys pressed at zero.
- d) Initialize the location where the next digit key pressed will be saved to the start of the digit key array. An indirect procedure is used, in which KEYAD contains the address in which the next digit will be placed. Each time a digit key is recognized, the contents of KEYAD are incremented so that the next digit key will be placed in the next memory location.

## 4) Look for Key Closure

**Flowchart:**

Key closures are identified by grounding all the keyboard columns and then checking for grounded rows (i.e., column-to-row switch closures). Note that the program does not assume that the unused input bits are all high; instead, the bits attached to the keyboard are masked with a logical AND instruction.

## 5) Debounce Key

The program debounces the key closure in software by waiting for two milliseconds. This is usually long enough for a clean contact to be made. Subroutine DELAY simply counts with the Index register for 1 millisecond. The number of milliseconds is in Accumulator A. DELAY would have to be adjusted if a slower clock or slower memories were being used. You could make the change simply by redefining the constant MSCNT.

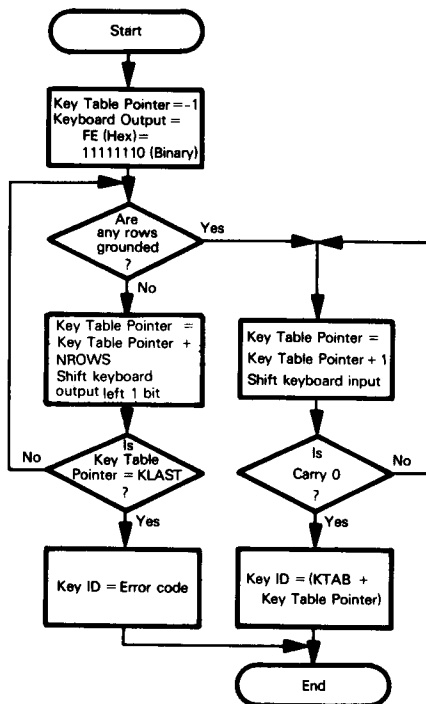
## 6) Identify-Key Closure

The particular key closed is identified by grounding single columns and observing whether a closure is found. Once a closure is found (so that the key column is known), the key row can be determined by shifting the input.

The output patterns required to ground single keyboard columns are obtained by shifting the original pattern left one bit after each column is examined. The highest numbered key in the keyboard is used as a marker to indicate that all the columns have been grounded without a closure being found. When this value is

## 16-6 6800 Assembly Language Programming

reached, the error code FF is placed in Accumulator A to indicate to the main program that the closure could not be identified (i.e., the key closure ended or a hardware error occurred).



The key identifications are in table KTAB in memory. The keys in the first column (attached to the least significant output bit) are followed by those in the second column, etc.

Within a column, the key in the row attached to the least significant input bit is first, etc. Thus, each time a column is scanned without finding a closure, the number of keys in a column (NROWS) must be added to the key table pointer in order to move to the next column. The key table pointer is also incremented by one before each bit in the row inputs is examined; this process stops when a zero input is found. Note that the key table pointer is started one location before the table, since it is always incremented once in the search for the proper row.

If we cannot identify the key closure, we simply ignore it and look for another closure.

### 7) Act on Key Identification

If the program has enough digits (two in this simple case), it only looks for the GO key and ignores all other keys. If it finds a digit key, it saves the value in the key array, increments the number of digit keys pressed, and increments the key array pointer.

**KEY  
TABLE**

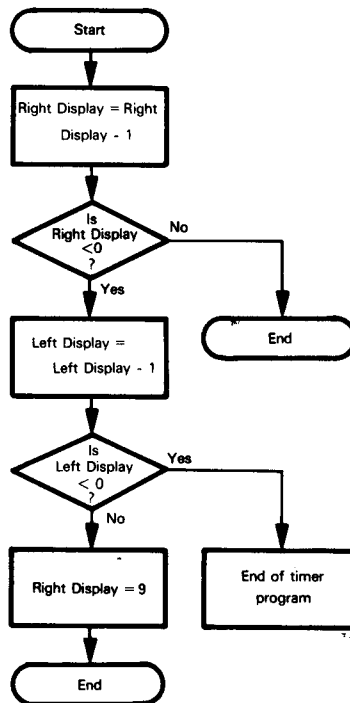
If the entry is not complete, the program must wait for the key closure to end so that the system will not read the same closure again. The user must wait between key closures (i.e., release one key before pressing another one). Note that the program will identify double key closures as one key or the other, depending on which closure the identification routine finds first. An improved version of this program would display digits as they were entered and would allow the user to omit a leading or trailing zero, (i.e., key in ".", "7", "GO" to get a count of seven-tenths of a minute).

8) Set Up Display Output

The digits are placed in registers or memory locations with bit 4 set so that the output is sent to the displays. Bits 5 and 6 are set for the most significant digit to direct the output to the left display and to turn on the decimal point. The logical-OR instruction with the appropriate mask sets the bits.

9) Pulse the LED Displays

Each display is turned on for two milliseconds. This process is repeated 1500 times in order to get a total delay of 0.1 minutes, or 6 seconds. The pulses are frequent enough so that the LED displays appear to be on continuously.



10) Decrement Display Count

The value of the less significant digit is reduced by one. If this affects bit 4 (LEDON — used to turn the displays on), the digit has become negative. A borrow must then be obtained from the more significant digit. If the borrow from the more significant digit affects bit 4, the count has gone past zero and the countdown is finished. Otherwise, the program sets the value of the less significant digit to 9 and continues.

Note that comments describe both sections of the program and individual statements. The comments explain what the program is doing, not what specific instruction codes do. Spacing and indentation have been used to improve readability.

```

*
*PROGRAM NAME: TIMER
*DATE OF PROGRAM: 8/31/77
*PROGRAMMER: LANCE A. LEVENTHAL
*PROGRAM REQUIREMENTS: ED(237) BYTES
*RAM REQUIREMENTS: 10 BYTES
*I/O REQUIREMENTS: 1 INPUT PORT, 1 OUTPUT PORT (1 6820 PIA)
*
*
*THIS PROGRAM IS A SOFTWARE TIMER THAT ACCEPTS INPUTS FROM A
* CALCULATOR-LIKE KEYBOARD AND THEN PROVIDES A STOPWATCH
* COUNTDOWN ON TWO SEVEN-SEGMENT LED DISPLAYS IN MINUTES AND
* TENTHS OF MINUTES
*
*   KEYBOARD
*
*   A 12-KEY KEYBOARD IS ASSUMED
*   THREE COLUMN CONNECTIONS ARE OUTPUTS FROM THE PROCESSOR
*   SO THAT A COLUMN OF KEYS CAN BE GROUNDED
*   FOUR ROW CONNECTIONS ARE INPUTS TO THE PROCESSOR
*   SO THAT KEYS CAN BE IDENTIFIED
*   THE KEYBOARD IS DEBOUNCED BY WAITING FOR
*   2 MILLISECONDS AFTER A KEY CLOSURE IS RECOGNIZED
*   A NEW KEY CLOSURE IS IDENTIFIED BY WAITING
*   FOR THE OLD ONE TO END SINCE NO STROBE IS USED
*   THE KEYBOARD COLUMNS ARE CONNECTED TO BITS 0
*   TO 2 OF SIDE B OF THE PIA
*   THE KEYBOARD ROWS ARE CONNECTED TO BITS 0
*   TO 3 OF SIDE A OF THE PIA
*
*   DISPLAYS
*
*   TWO SEVEN-SEGMENT LED DISPLAYS ARE USED WITH SEPARATE
*   DECODERS (7447 OR 7448 DEPENDING ON THE TYPE OF DISPLAY)
*   THE DECODER DATA INPUTS ARE CONNECTED TO BITS 0 TO 3
*   OF THE B SIDE OF THE PIA
*   BIT 4 OF THE B SIDE OF THE PIA IS USED TO ACTIVATE THE
*   LED DISPLAYS (BIT 4 IS 1 TO SEND DATA TO LEDS)
*   BIT 5 OF THE B SIDE OF THE PIA IS USED TO SELECT WHICH
*   LED IS BEING USED (BIT 5 IS 1 IF THE LEADING DISPLAY
*   IS BEING USED, 0 IF THE TRAILING DISPLAY IS BEING USED)
*   BIT 6 OF THE B SIDE OF THE PIA IS USED TO LIGHT THE
*   DECIMAL POINT LED ON THE LEADING DISPLAY (BIT 6 IS
*   1 IF THE DISPLAY IS TO BE LIT)
*
*

```

## METHOD

## STEP 1 - INITIALIZATION

THE MEMORY STACK (USED FOR SUBROUTINE RETURN ADDRESSES) IS INITIALIZED. THE NUMBER OF DIGIT KEYS PRESSED IS SET TO ZERO, AND THE ADDRESS INTO WHICH THE NEXT DIGIT KEY IDENTIFICATION WILL BE PLACED IS INITIALIZED TO THE FIRST ADDRESS IN THE DIGIT KEY ARRAY

## STEP 2 - LOOK FOR KEY CLOSURE

ALL KEYBOARD COLUMNS ARE GROUNDED AND THE KEYBOARD ROWS ARE EXAMINED UNTIL A CLOSED CIRCUIT IS FOUND

## STEP 3 - DEBOUNCE KEY CLOSURE

A WAIT OF 2 MS IS INTRODUCED TO ELIMINATE KEY BOUNCE

## STEP 4 - IDENTIFY KEY CLOSURE

THE KEY CLOSURE IS IDENTIFIED BY GROUNDING SINGLE KEYBOARD COLUMNS AND DETERMINING THE ROW AND COLUMN OF THE KEY CLOSURE

A TABLE IS USED TO ENCODE THE KEYS ACCORDING TO THEIR ROW AND COLUMN NUMBERS

IN THE KEY TABLE, THE DIGITS ARE IDENTIFIED BY THEIR VALUES, THE DECIMAL POINT KEY IS NO. 10, AND THE "GO" KEY IS NO. 11

## STEP 5 - SAVE KEY CLOSURE

DIGIT KEY CLOSURES ARE SAVED IN THE DIGIT KEY ARRAY UNTIL TWO DIGITS HAVE BEEN IDENTIFIED. DECIMAL POINTS, FURTHER DIGITS, AND CLOSURES OF THE "GO" KEY BEFORE TWO DIGITS HAVE BEEN ENTERED ARE IGNORED AFTER TWO DIGITS HAVE BEEN ACCEPTED, THE "GO" KEY IS USED TO START THE COUNTDOWN PROCESS

## STEP 6 - COUNT DOWN TIMER INTERVAL ON LEDS

A COUNTDOWN IS PERFORMED ON THE LEDS WITH THE LEADING DIGIT REPRESENTING THE REMAINING NUMBER OF MINUTES AND THE TRAILING DIGIT REPRESENTING THE REMAINING NUMBER OF TENTHS OF MINUTES

## TIMER VARIABLE DEFINITIONS

## MEMORY SYSTEM CONSTANTS

|        |     |       |                                        |
|--------|-----|-------|----------------------------------------|
| BEGIN  | EQU | \$180 | BEGIN IS STARTING LOCATION FOR PROGRAM |
| STKBGN | EQU | \$17F | STKBGN IS STARTING STACK ADDRESS       |
| TEMP   | EQU | 0     | STARTING ADDRESS FOR RAM STORAGE       |

## RAM TEMPORARY STORAGE

|        |            |           |                                                                                                                 |
|--------|------------|-----------|-----------------------------------------------------------------------------------------------------------------|
| KEYAD  | ORG<br>RMB | TEMP<br>2 | KEYAD HOLDS THE ADDRESS IN THE DIGIT KEY ARRAY IN WHICH THE IDENTIFICATION OF THE NEXT DIGIT KEY WILL BE PLACED |
| KEYNO  | RMB        | 2         | KEYNO IS THE DIGIT KEY ARRAY - IT HOLDS THE IDENTIFICATIONS OF THE DIGIT KEYS THAT HAVE BEEN PRESSED            |
| NKEYS  | RMB        | 1         | NKEYS HOLDS NUMBER OF DIGIT KEYS PRESSED                                                                        |
| MINUTE | RMB        | 1         | NUMBER OF REMAINING MINUTES                                                                                     |



```

.
.
.
SCAN KEYBOARD LOOKING FOR KEY CLOSURE
.
SRCHK JSR SCANC WAIT FOR KEY CLOSURE
.
.
WAIT FOR KEY TO BE DEBOUNDED
.
.
LDAA #TWAIT GET DEBOUNCE TIME IN MS
JSR DELAY WAIT FOR KEY TO STOP BOUNCING
.
.
IDENTIFY WHICH KEY WAS PRESSED
.
.
JSR IDKEY IDENTIFY KEY CLOSURE
CMPA #ECODE WAS KEY CLOSURE IDENTIFIED?
BEQ SRCHK NO. WAIT FOR NEXT CLOSURE
.
.
START TIMING IF "GO" KEY AND ENOUGH DIGITS
.
.
LDAB #MXKEY HAS MAXIMUM NUMBER OF DIGIT KEYS
BEEN FOUND?
.
CMPB NKEYS
BNE ENTDG NO. GO ENTER DIGIT KEY
CMPA #GOKEY YES. IS KEY "GO"?
BEQ STTIM YES. START TIMING
BRA WAITK NO. IGNORE KEY
.
*ENTER DIGIT KEY INTO ARRAY, IGNORE DECIMAL POINT OR "GO"
.
ENTDG CMPA #10 IS KEY A DIGIT?
BCC WAITK NO. IGNORE IT
INC NKEYS YES. INCREMENT NUMBER OF DIGIT KEYS
LDX KEYAD GET DIGIT KEY ARRAY POINTER
STAA X SAVE DIGIT KEY IN ARRAY
INX UPDATE POINTER
STX KEYAD
.
.
WAIT FOR CURRENT KEY CLOSURE TO END
.
.
WAITK JSR SCANO WAIT FOR ALL KEYS TO BE RELEASED
BRA SRCHK LOOK FOR NEXT CLOSURE
.
.
PROCESS DIGITS FOR DISPLAY
.
.
STTIM LDX #KEYNO
LDAA X GET LEADING DIGIT
ORAA #DECPT TURN ON DECIMAL POINT FOR LEADING
DIGIT
.
ORAA #LEDON SET OUTPUT TO LEDS
ORAA #LEDSL SELECT LEADING DISPLAY
STAA MINUTE
LDAB 1,X GET TRAILING DIGIT
ORAB #LEDON SET OUTPUT TO LEDS
.
.
PULSE THE LED DISPLAYS
.

```

16-12 6800 Assembly Language Programming

```

LEDLP      LDX      #1500      COUNT 1500 4 MS PULSES
TLOOP      STX      DCTR
          LDAA     MINUTE
          STAA     PIADRB      LEADING DIGIT TO LED 1
          LDAA     #TPULS     DELAY BETWEEN DIGITS
          JSR      DELAY
          STAB     PIADRB      TRAILING DIGIT TO LED 2
          LDAA     #TPULS     DELAY BETWEEN DIGITS
          JSR      DELAY
          LDX      DCTR
          DEX
          BNE     TLOOP
.
.
          DECREMENT COUNT ON LED DISPLAYS
          DECB     COUNT DOWN TRAILING DIGIT
          BITB     #LEDON      IS TRAILING DIGIT PAST ZERO?
          BNE     LEDLP      NO, DISPLAY NEW TIME
          DEC      MINUTE     YES, COUNT DOWN LEADING DIGIT
          LDAA     MINUTE
          BITA     #LEDON      IS LEADING DIGIT PAST ZERO?
          BEQ     INITL      YES, WAIT FOR NEXT TIMING TASK
          LDAB     #9         NO, MAKE TRAILING DIGIT 9
          ORAB     #LEDON     SET OUTPUT TO LEDS
          BRA     LEDLP      RETURN TO PULSING DISPLAYS
.
.
          SUBROUTINE SCANC SCANS THE KEYBOARD WAITING FOR A KEY
          CLOSURE
          ALL KEYBOARD INPUTS ARE GROUNDED
SCANC      CLR      PIADRB     GROUND ALL KEYBOARD COLUMNS
KEYCLS     LDAA     PIADRA     GET KEYBOARD ROW DATA
          ANDA     #OPEN     IGNORE UNUSED INPUTS
          CMPA     #OPEN     ARE ANY INPUTS GROUNDED?
          BEQ     KEYCLS     NO, WAIT
          RTS
.
.
          SUBROUTINE DELAY WAITS FOR THE NUMBER OF MS SPECIFIED IN
          ACCUMULATOR A BY COUNTING WITH THE INDEX REGISTER
DELAY      LDX      #MSCNT     COUNT FOR 1 MS DELAY
WTLP      DEX
          BNE     WTLP      WAIT 1 MS
          DECA
          BNE     DELAY
          RTS
.
.
          SUBROUTINE IDKEY DETERMINES THE ROW AND COLUMN NUMBER OF
          THE KEY CLOSURE AND IDENTIFIES THE KEY FROM A TABLE
IDKEY     LDAA     #%11111110  GET PATTERN TO GROUND COLUMN ZERO
          STAA     PIADRB     GROUND COLUMN ZERO
          LDAB     #$FF      START KEY TABLE POINTER AT -1

```



```
BNE    KEYOPN        YES, WAIT UNTIL ALL RELEASED
RTS
END
```

## PROJECT #2: A Digital Thermometer

**Purpose:** This project is a digital thermometer which shows the temperature in degrees Celsius on two seven-segment displays.

**Hardware:** The project uses one input and one output port, two seven-segment displays, a 74LS04 inverter, a 74LS00 NAND gate or a 74LS08 AND gate depending on the polarity of the displays, an Analog Devices AD7570J 8-bit monolithic A/D converter, an LM311 comparator, and various peripheral drivers, resistors, and capacitors as required by the displays and the converter. (See Chapter 11 for a discussion of A/D converters. See also Reference 1 at the end of this chapter.)

Figure 16-2 shows the organization of the hardware. Control line CB2 from the PIA is used to send a Start Conversion signal to the A/D converter. Input lines 0 through 7 are attached directly to the eight digital data lines from the converter. Output lines 0 through 3 are used to send BCD digits to the seven-segment decoder/drivers. Output line 4 activates the displays and output line 5 selects the left or right display (line 5 is '1' for the left display). Control line CA1 is used to determine when the conversion is complete (BUSY becomes one).

The analog part of the hardware is shown in Figure 16-3. The thermistor simply provides a resistance that depends on temperature. Figure 16-4 is a plot of the resistance and Figure 16-5 shows the range of current values over which the resistance is constant. The conversion to degrees Celsius in the program is performed with a calibration table. The various potentiometers can be adjusted to scale the data properly. A clock for the A/D converter is generated from an RC network, as shown in Figure 16-6. The values are  $R=33\text{ k}\Omega$  and  $C=1000\text{ pF}$ , so that the clock frequency is about 75 KHz. At this frequency, the maximum conversion time for eight bits is about 50 microseconds. When BUSY goes high, it sets bit 7 of the PIA's B side control register. The 8-bit version of the converter requires the following special connections. The eight data lines are DB2 through DB9 (DB1 is always high during conversion and DB0 low). The Short Cycle 8-bit input (pin 26-SC8) is tied low so that only an 8-bit conversion is performed. In the present case, High Byte Enable (pin 20-HBEN) and Low Byte Enable (pin 21-LBEN) were both tied high so that the data outputs were always enabled.



The A/D converter uses the successive approximation method to perform a conversion. The ADC's data register is connected to the inputs of an internal D/A converter whose output (available at OUT1 and OUT2) is compared to the analog input. When a conversion is initiated, the ADC logic sets the data register to all zeroes with the exception of the most significant bit (MSB), which is set to one. If the analog input is less than the resulting internally generated analog value, then the MSB is reset to zero; otherwise it remains a one. The next most significant bit is then set to one and the process repeated until all eight bits have been "tested" in this way. After the eighth cycle, the value in the register is the value which most closely corresponds to the analog input.

This method is fast, but it requires that the input be stable during the conversion process. Rapidly changing or noisy inputs would require additional signal conditioning. The references listed at the end of this chapter describe more accurate methods for handling analog I/O.

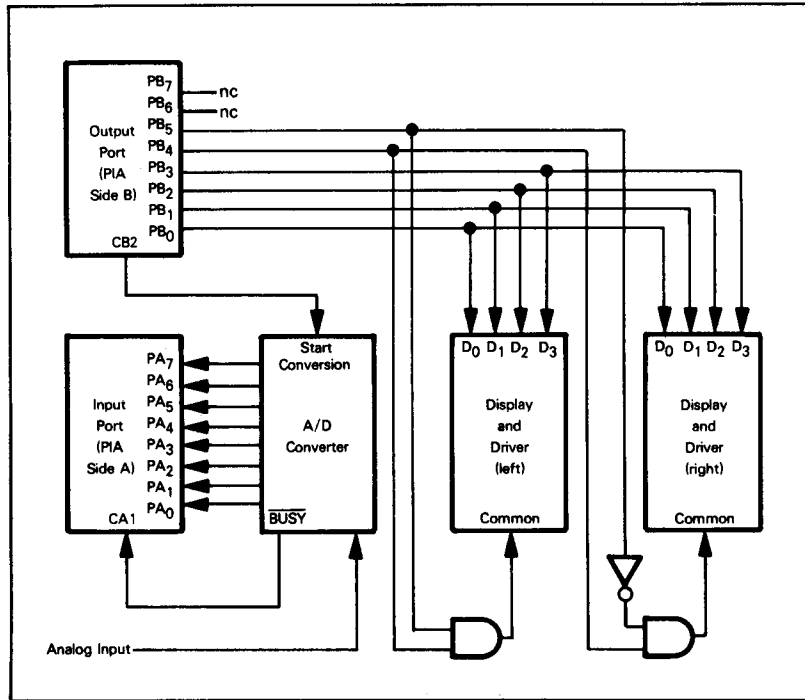


Figure 16-2. I/O Configuration for a Digital Thermometer

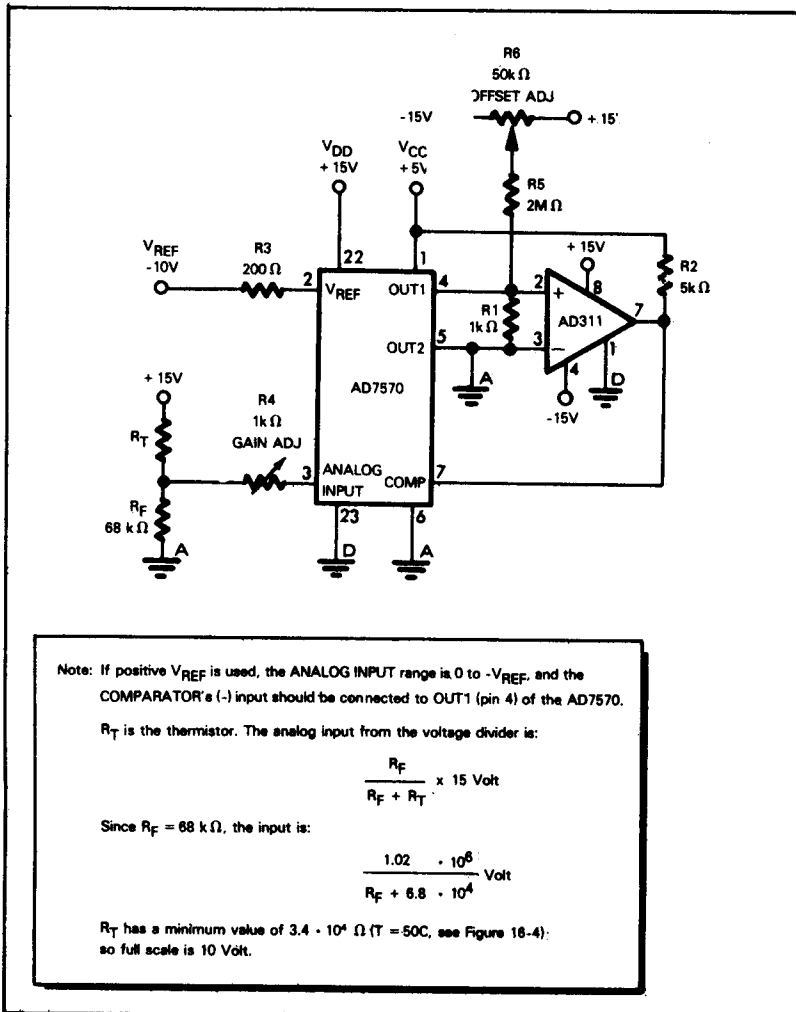


Figure 16-3. Analog Hardware

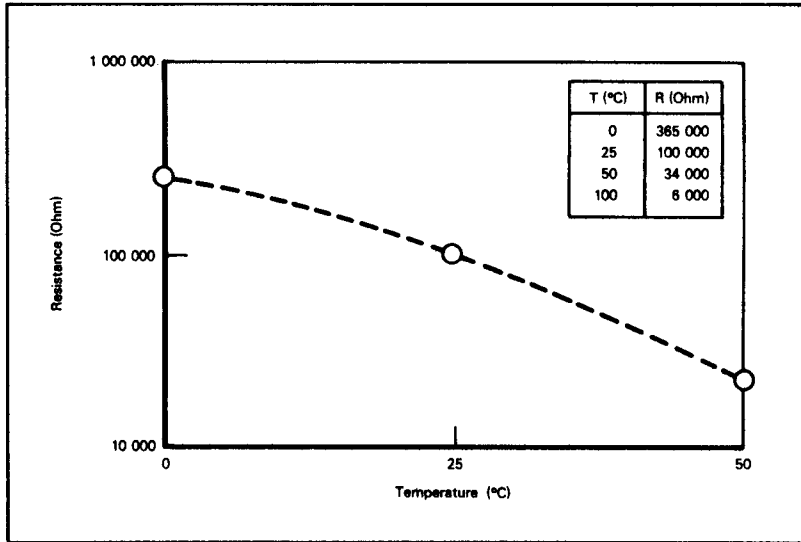


Figure 16-4. Thermistor Characteristics (Fenwal GA51J1 Bead)

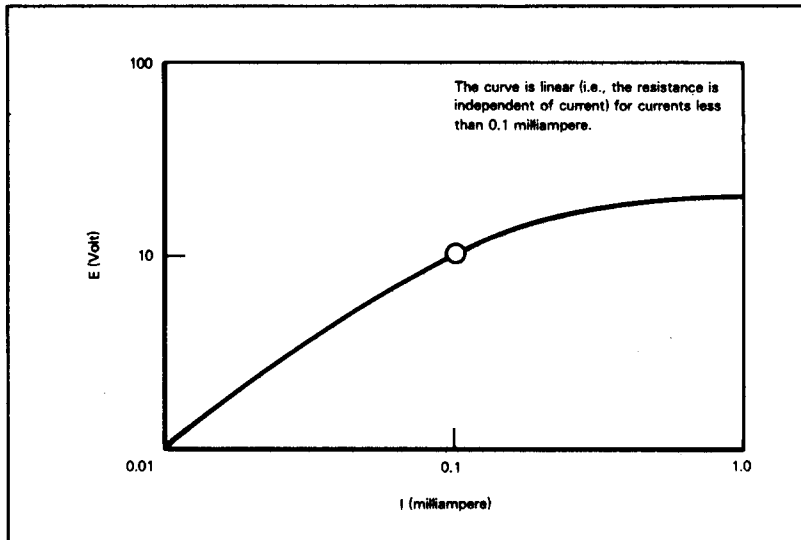


Figure 16-5. Typical E-I Curve for Thermistor (25°C)

16-18 6800 Assembly Language Programming

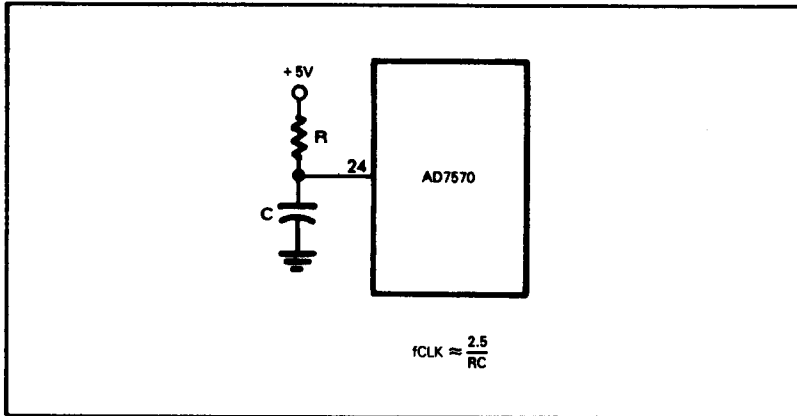
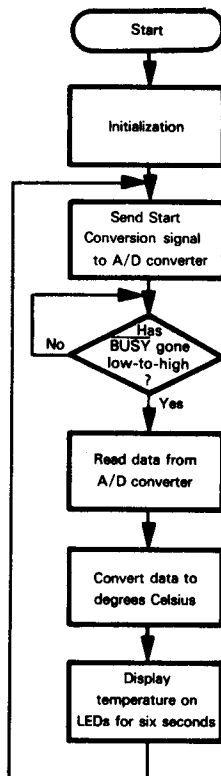


Figure 16-6. Generating an Internal Clock Frequency

**General Program Flowchart:**



**Program Description:**

## 1) Initialization

Locations FFFE and FFFF (the 6800 Reset locations) contain the starting address of the program. The initialization configures the PIA and places a value in the Stack Pointer. The Stack is only used to store subroutine return addresses. Remember that Chapter 17 contains numerous examples of how to configure PIAs.

## 2) Send Start Conversion Signal to A/D Converter

The CPU pulses the Start Conversion line by first placing a one and then a zero on output line CB2. Each input from the converter requires a starting pulse.

## 3) Wait for Conversion to be Completed

A '0' to '1' transition on the  $\overline{\text{BUSY}}$  line sets bit 7 of Control Register A. Actually, the converter only takes a maximum of 50 microseconds for an 8-bit conversion, so a short delay would also be adequate.

## 4) Read Data from A/D Converter

Reading the data involves a single input operation. We should note that the Analog Devices AD7570J has an enable input and tristate outputs, so that it could be tied directly to the microprocessor Data Bus.

## 5) Convert Data to Degrees Celsius

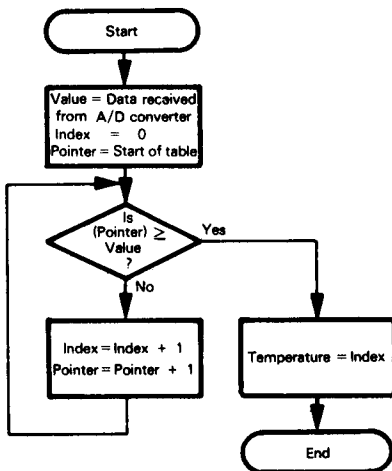
The conversion uses a table that contains the largest input value corresponding to a given temperature. The program searches the table, looking for a value greater than or equal to the value received from the converter. The first such value it finds corresponds to the required temperature; that is, if the tenth entry is the first value larger than or equal to the data, the temperature is 10 degrees. This search method is inefficient, but is adequate for the present application.

Note that we must keep the entry number in decimal rather than binary. The instruction sequence "ADDA #1, DAA" keeps the index as two decimal digits instead of a binary number. For example, the entry number after 9 (00001001 binary) will be decimal 10 (00010000 binary) rather than binary 10 (00001010). The reason for this is that we plan to display the temperature as two decimal digits and would have to convert it from binary to decimal otherwise.

The table could be obtained by calibration or by a mathematical approximation. The calibration method is simple, since the thermometer must be calibrated anyway. The table occupies one memory location for each temperature value. A method that uses far less memory is described in T.A. Seim, "Numerical Interpolation for Microprocessor-based Systems", Computer Design, February 1978, pp. 111-116.

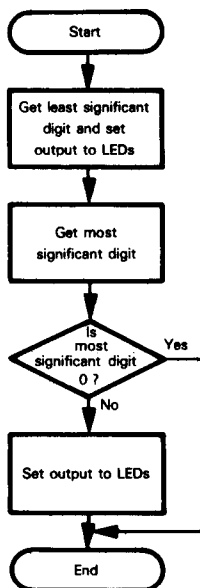
|                                                 |
|-------------------------------------------------|
| <p><b>USING A<br/>CALIBRATION<br/>TABLE</b></p> |
|-------------------------------------------------|

**Flowchart:**



6) Prepare Data for Display

**Flowchart:**



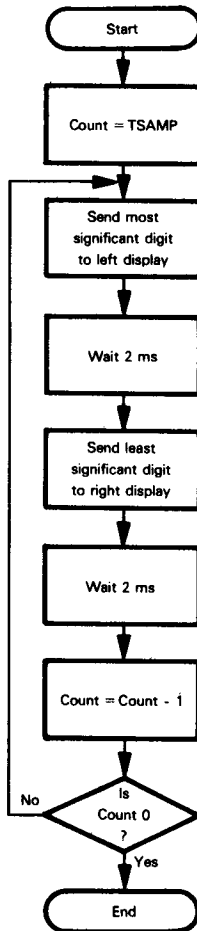
The most significant digit is masked off. We set the bit that turns on the displays with a logical OR instruction. The result is saved in RAM location LSTEMP.

**BLANKING  
A LEADING  
ZERO**

The only difference for the most significant digit is that a leading zero is blanked (i.e., the displays show " 7" rather than "07" for 7°C). This simply involves not setting the bit that turns on the displays if the digit is zero. The result is saved in Accumulator B.

7) Display Temperature for Six Seconds

**Flowchart:**







**16-24** 6800 Assembly Language Programming

```

        ORG     BEGIN
        LDS     #$STKBGN    INITIALIZE RAM STACK POINTER
        CLR     PIACRA      CLEAR OUT PIA CONTROL REGISTERS
        CLR     PIACRB
        CLR     PIADRA      MAKE PIA A SIDE INPUTS FOR CONVERTER
        LDAA    #$FF        MAKE PIA B SIDE OUTPUTS FOR DISPLAYS
        STAA    PIADRB
        LDAA    #%00000110  MAKE ACTIVE BUSY TRANSITION LOW-TO-
        .                HIGH
        STAA    PIACRA
        LDAA    #%00110100  START CONVERSION LOW
        STAA    PIACRB
        .
        .                PULSE START CONVERSION LINE
        .
        .
START    LDAA    #%00111100  START CONVERSION HIGH
        STAA    PIACRB
        LDAA    #%00110100  START CONVERSION LOW
        STAA    PIACRB
        .
        .                WAIT FOR BUSY TO GO HIGH AND READ DATA
        .
        .
WTBSY   LDAA    PIACRA      HAS BUSY GONE HIGH (CONVERSION
        .                COMPLETE)?
        BPL     WTBSY       NO. WAIT
        LDAB   PIADRA      YES. READ DATA
        .
        .                CONVERT DATA TO 2 BCD DIGITS
        .
        JSR     CONVR       CONVERT DATA TO BCD
        .
        .                GET LEAST SIGNIFICANT DIGIT
        .
        TAB
        ANDA   #%00001111  MASK OUT LEAST SIGNIFICANT DIGIT
        ORAA  #LEDON      SET OUTPUT TO LEDS
        STAA  LSTEMP
        .
        .                GET MOST SIGNIFICANT DIGIT
        .
        LSRB
        .                SHIFT MOST SIGNIFICANT DIGIT INTO
        .                POSITION
        LSRB
        LSRB
        LSRB
        BEQ    PULSE       DON'T TURN ON LEADING DISPLAY IF MSD
        .                ZERO
        ORAB  #LEDON      SET OUTPUT TO LEDS
        ORAB  #LEDL       SELECT LEADING DISPLAY
        .
        .                PULSE THE LED DISPLAYS
        .
        .
PULSE   LDX     #TSAMP     16-BIT COUNTER FOR DISPLAY PULSES
DSPLY   STX     DCTR
        STAB   PIADRB     OUTPUT TO LEADING DISPLAY

```

```

LDAA #TPULS      DELAY DISPLAY PULSE LENGTH
JSR   DELAY
LDAA  LSTEMP
STAA  PIADRB     OUTPUT TO TRAILING DISPLAY
LDAA  #TPULS     DELAY DISPLAY PULSE LENGTH
JSR   DELAY
LDX   DCTR
DEX
DEX      HAS COUNT REACHED ZERO?
BNE   DSPLY     NO. CONTINUE PULSING DISPLAYS
BRA   START     YES. GO SAMPLE TEMPERATURE AGAIN
*
*
SUBROUTINE DELAY WAITS FOR THE NUMBER OF MS SPECIFIED IN
*   ACCUMULATOR A BY COUNTING WITH THE INDEX REGISTER
*
*   REGISTERS USED: A,X
*
DELAY  LDX      #MSCNT    LOAD INDEX REGISTER FOR 1 MS DELAY
WTLP   DEX
      BNE      WTLP      WAIT 1 MS
      DECA    WTLP      COUNT DOWN NUMBER OF MS
      BNE    DELAY
      RTS
*
*
SUBROUTINE CONVR CONVERTS INPUT FROM A/D CONVERTER TO
*   DEGREES CELSIUS BY USING A TABLE. INPUT DATA IS IN
*   ACCUMULATOR B AND RESULT IS 2 BCD DIGITS IN
*   ACCUMULATOR A
*
*   REGISTERS USED: A,B,X
*
CONVR  LDX      #DEGTB    GET BASE ADDRESS OF CONVERSION
*      TABLE
CHVAL  CLRA
      CMPB    X          DEGREES CELSIUS = ZERO
      BLS    FOUND     IS A/D INPUT BELOW ENTRY?
      ADDA   #1         YES. VALUE FOUND
      DAA
      INX
      BRA    CHVAL     NO. ADD 1 TO DEGREES
FOUND  RTS            RETURN WITH TEMP AS 2 BCD DIGITS IN A
*
*
TABLE DEGTB WAS FOUND BY CALIBRATION.
*   DEGTB CONTAINS THE LARGEST INPUT VALUE WHICH CORRESPONDS
*   TO A PARTICULAR TEMPERATURE READING (I.E., THE FIRST ENTRY
*   IS DECIMAL 58 SO AN INPUT VALUE OF 58 IS THE LARGEST
*   VALUE GIVING A ZERO TEMPERATURE READING —VALUES
*   BELOW ZERO ARE NOT DISPLAYED AS ZERO)
*
DEGTB  FCB      58,61,63,66,69,71,74,77,80,84,87,90,93,97,101,104,108
      FCB      112,116,120,124,128,132,136,141,145,149,154,158,163,167
      FCB      172,177,181,186,191,195,200,204,209,214,218,223,227,232
      FCB      236,241,245,249,253,255
      END

```

## REFERENCES

- <sup>1</sup> Hnatek, E.R., A User's Handbook of D/A and A/D Converters, Wiley, New York, 1976.
- <sup>2</sup> Finkel, J., Computer-Aided Experimentation, Wiley, New York, 1975.
- <sup>3</sup> Engineering Staff of Analog Devices Inc., Analog-Digital Conversion Handbook, Analog Devices Inc., P.O. Box 796, Norwood, MA.
- <sup>4</sup> Kaufmann, J., "Let a  $\mu$ P Keep Track of Your Process", Electronic Design, December 20, 1975, pp. 66-69.
- <sup>5</sup> Kelly, S., "Low-cost Data Acquisition Systems", Electronic Design, November 22, 1976, pp. 152-157.
- <sup>6</sup> Barnes, J., and V. Gregory, "Use Microprocessors to Enhance Performance with Noisy Data", EDN, August 20, 1976, pp. 71-72.
- <sup>7</sup> Mrozowski, A., "Analog Output Chips Shrink A-D Conversion Software", Electronics, June 23, 1977, pp. 130-133.
- <sup>8</sup> Larson, D.G., et al., "Microcomputer Interfacing: Sample-and-Hold Devices", Computer Design, December 1977, pp. 104-108.
- <sup>9</sup> Holt, O., and F. Shirley, "Let a  $\mu$ P Cut Test Time", Electronic Design, October 25, 1976, pp. 156-160.
- <sup>10</sup> Aldridge, D., "Analog-to-Digital Conversion Techniques with the M6800 Microprocessor System", Motorola Application Note AN-757, Motorola Semiconductor Products Inc., Phoenix, AZ, 1975.

## INDEX

- ABA, 3-25
- Accumulators, using the, 4-2
- ACIA configuration, example of, 11-77
- ACIA
  - addressing an, 11-79
  - interrupt routine, 12-21
  - interrupts, 12-6
  - registers, 11-75
  - special features of, 11-75
- ADC, 3-26
- ADD, 3-30
- Address field, numbers and characters in, 3-94
- Addressing modes, 3-94
- Algebraic notation, 1-8
- Algorithms, better, 15-14
- Allocating RAM, 2-7
- AND, 3-30
- Arithmetic and logical expressions, 2-10
- ASCII
  - characters, 2-10
  - handling data in, 6-1
- ASL, 3-32
- ASR, 3-34
- Assembler, 1-5, 2-14
  - arithmetic expressions, 3-94
  - choosing an, 1-6
  - cross-assembler, 2-14
  - directive, 2-4
  - one-pass, 2-14
  - resident, 2-14
- Assembly language
  - applications for, 1-11
  - fields, 2-1
  - program, 1-5
- Basic software delay, 11-8
- BCC, 3-35
- BCS, 3-36
- BEQ, 3-36
- BGE, 3-36
- BGT, 3-37
- BHI, 3-37
- Binary instructions, 1-1
- Binary rounding, 8-18
- BIT, 3-38
- Blanking a leading zero, 16-15
- BLE, 3-39
- BLS, 3-39
- BLT, 3-39
- BMI, 3-40
- BNE, 3-40
- Bootstrap loader, 2-15
- Bottom-up design, 13-36
- BPL, 3-41
- BRA, 3-41
- Breakpoint, 14-2
- BSR, 3-42
- Buffer
  - emptying with interrupts, 12-15
- BVC, 3-42
- BVS, 3-43
- Calibration table, 16-13
- CBA, 3-43
- Character format, 11-69
- Checklist, what to include in, 14-8
- CLC, 3-44
- CLI, 3-45
- CLR, 3-45
- CLV, 3-46
- CMP, 3-47
- Coding, 13-3
  - relative importance of, 13-1
- COM, 3-48
- Commenting
  - examples, 15-3
  - guidelines, 15-2
  - questions for, 15-4
  - techniques, 2-13
- Common-anode or common-cathode displays, 11-39
- Compiler, 1-7
  - cost of, 1-8
- Computer program, 1-2
- Control information, 11-50, 11-51
- CPX, 3-49
- Credit verification terminal
  - defining, 13-10
  - error handling, 13-12
  - inputs, 13-11
  - outputs, 13-12
  - structured program for, 13-31
- Cross-assembler, 2-14
- DAA, 3-51
- Data, forming classes of, 14-22
- Debouncing
  - with cross-coupled NAND gates, 11-26
  - in software, 11-24
- Debugging, 13-3
  - code conversion program, 14-11
  - interrupt-driven programs, 14-11
  - sort program, 14-15
  - using test cases from, 14-20
- DEC, 3-52
- Decimal adjust, 8-5
- Decimal data or addresses, 2-9
- Decimal numbers
  - accuracy in binary, 8-3

- Decimal numbers (cont.)
  - doubling and halving, 8-18
  - rounding, 8-18
- Default rounding, 2-7
- Definition list, 15-7
- Definitions, placement of, 2-6
- Delay loop constant, 6800, 11-10
- Delimiter, 2-2
- DES, 3-54
- DEX, 3-54
- Direct addressing, 4-2
- Direct memory access, 11-5
- Disabling interrupts, 12-20
- Displays, common-anode or common-cathode, 11-39
- Division algorithm, 8-10
- Documentation, 13-3
- Documentation package, 15-11
- Documenting status and control transfers, 11-52
- Documenting subroutines, 10-2
- Double buffering, 12-13
  
- 8-bit summation, 5-3
- Emptying a buffer with interrupts, 12-15
- Enabling and disabling interrupts, 12-2
- EOR, 3-55
- Errors, 13-5
  - common, 14-9
  - keyboard, 13-13
  
- FCB, FCC, FDB pseudo-operations, 3-92
- Flowcharting, 15-6
  - advantages of, 13-15
  - credit verification terminal, 13-19
  - disadvantages of, 13-16
  - sections, 13-19
  - switch and light system, 13-16
  - switch-based memory loader, 13-17
- Format, 2-2
- FORTRAN, 1-7
  
- General service routines, tasks for, 12-24
- Global or local variables, 2-13
  
- Hand assembly, 1-5
- Hand checking questions, 14-8
- Handshake, 11-2
- Hashing, 9-3
- Hexadecimal loader, 1-3
- Hexadecimal numbers, 1-3
- High-level languages
  - advantages of, 1-9
  - applications for, 1-11
  - disadvantages of, 1-9
  - inefficiency of, 1-9
  - machine independence of, 1-8
  - overhead for, 1-10
  - portability of, 1-8
  - syntax of, 1-8
  - unsuitability of, 1-10
  
- INC, 3-56
  
- Information-hiding principle, 13-25
- Input, factors in, 13-4
- INS, 3-57
- Instructions, defining a sequence of, 2-11
- Interfaces, standard, 11-80
- Interfacing slow devices, 11-2
- Interrupt handling by monitors, 12-8
- Interrupts
  - disabling, 12-2, 12-20
  - disadvantages of, 12-2
  - enabling, 12-2
  - emptying buffer with, 12-15
  - filling buffer via, 12-12
  - keyboard, 12-9
  - non-maskable, 12-2, 12-5
  - vectored, 12-7
- Interrupt system, 6800, 12-4
  - characteristics of, 12-1
  - inputs, 12-2
- I/O categories, 11-1
- I/O devices, synchronizing with, 11-50
- INX, 3-58
  
- JMP, 3-59
- JSR, 3-60
  
- Keyboard
  - errors correcting, 13-13
  - interrupt, 12-9
  - matrix, 11-52
  - routine, expanding, 13-40
  - scan, 11-54
- Key table, 16-6
  
- Label field, 2-2
- Labeling, rules of, 2-3
- Labels
  - choosing, 2-3
  - in jump instructions, 2-2
- Language levels
  - application areas for, 1-10
  - future trends in, 1-12
- LDA, 3-61
- LDS, 3-62
- LDX, 3-63
- Leading zero, blanking a, 16-15
- LED control, 11-37
- Linking loaders, 2-15
- Load or global variables, 2-13
- Location counter, 2-7
- Logic analyzer, 14-7
- LSR, 3-64
  
- Machine language, applications for, 1-11
- Machine language program, 1-2
- Macro assembler, 2-14
- Macros
  - advantages of, 2-12
  - disadvantages of, 2-13
- Maintenance and redesign, 13-3
- Matrix keyboard, 11-52

- Memory dump, 14-5
- Memory loader error handling, 13-9
- Memory map, 15-6
- Memory, saving, 15-13
- Meta-assembler, 2-14
- Micro-assembler, 2-14
- Mnemonics, problem with, 1-4
- Modular programming
  - advantages and disadvantages of, 13-23
  - rules for, 13-25
- Modularization, 13-24
- Monitors, interrupt handling by, 12-8
- Multiplication algorithm, 8-6
  
- Names, choosing, 15-2
- NEG, 3-66
- NOP, 3-67
- Non-maskable interrupt, 12-2, 12-5
  
- Object program, 1-2, 1-5
- Octal numbers, 1-3
- One-pass assembler, 2-14
- Operator interaction, 13-5
- Optimizing compiler, 1-9
- ORA, 3-68
- ORG Pseudo-operation, 3-93
  
- Passing parameters, 10-1
- PIA
  - addresses, 11-12
  - configuration examples, 11-18
  - control lines, 11-12
  - control register bits, 11-15
  - input/output, 11-20
  - interrupts, 12-5
  - registers, 11-12
  - status bits, 11-21
  - steps in configuring, 11-16
- Polling, 12-2
- Polling interrupts, 12-6
- Portability, 1-7
- Priority, 12-2
- Problem definition, 13-3
- Processing, factors in, 13-4
- Program design, 13-3, 13-14
- Program guidelines, 4-2
- Program library forms, 15-8
- Programs, 1-2
  - design, 13-3
  - object, 1-2, 1-5
  - self-documenting, 15-1
  - source, 1-5
- Program stubs, 13-36
- Pseudo-operations, 2-4
- PSH, 3-69
- PUL, 3-70
  
- RAM
  - allocating, 2-7
  - initializing, 2-8
- Real-time clock, 12-16, 12-17
  
- Real time, maintaining, 12-19
- Redesign, 13-3
  - cost of, 15-11
- Re-entrant subroutine, 10-2
- Register dump, 14-3
- Register values, changing in stack, 12-21
- Relocating loader, 2-15
- Relocation, 10-2
- Relocation constant, 2-3
- Reorganization, 15-12
- Resident assembler, 2-14
- ROL, 3-71
- ROR, 3-73
- Rounding
  - binary, 8-18
  - decimal, 8-18
  - default, 2-7
- RTI, 3-75
- RTS, 3-76
  
- SBA, 3-76
- SBC, 3-77
- Searching methods, 9-5
- SEC, 3-78
- SEI, 3-79
- Self-checking numbers, 8-15
- Self-documenting programs, rules for, 15-1
- SEV, 3-79
- Seven-segment representations, 11-40
- Simple sorting algorithm, 9-9
- Single-step, 14-1
- Slow devices, interfacing, 11-2
- Software delay, basic, 11-8
- Software development, stages of, 13-1
- Software simulator, 14-6
- Sorting methods, 9-11
- Source program, 1-5
- STA, 3-80
- Stack, changing register values in, 12-21
- Start bit interrupt, 12-22
- Status information, 11-50, 11-51
- Stopwatch input procedures, 16-1
- Strobe, 11-5
- Structured keyboard routine, 13-31
- Structured programming
  - advantages of, 13-28
  - for credit verification terminal, 13-31
  - basic structures of, 13-26
  - disadvantages of, 13-29
  - rules for, 13-36
  - for switch and light system, 13-29
  - for switch-based memory loader, 13-30
  - when to use, 13-29
- Structured receive routine, 13-33
- Structured testing, 14-21
- Structures, examples of, 13-28
- STS, 3-81
- STX, 3-82
- SUB, 3-83
- Subroutines, 10-1, 10-2

- SWI, 3-84
- SWI as a breakpoint, 14-2
- Switch and light system
  - defining, 13-6
  - error handling, 13-7
  - inputs, 13-6
  - modularizing, 13-24
  - outputs, 13-6
  - structured program for, 13-29
  - top-down design of, 13-37
- Switch-based memory loader
  - defining, 13-7
  - modularizing, 13-24
  - structured program for, 13-30
  - top-down design of, 13-38
- Switch bounce, 11-24
- Symbol table, 2-6
- Synchronizing with I/O devices, 11-50
  
- TAB, 3-85
- TAP, 3-85
- TBA, 3-86
- Terminations for structures, 13-35
- Testing, 13-3
  - aids, 14-20
  - an arithmetic program, 14-22
  - rules for, 14-22
  - a sort program, 14-22
  - special cases, 14-21
- Thermometer analog hardware, 16-8
- Timing intervals, 11-8
- Timing method, choosing a, 11-8
- Top-down design, 13-36
  - format for, 13-41
  - methods, 13-36
- Top-down design (cont.)
  - of switch and light system, 13-37
  - of switch-based memory loader, 13-38
  - of verification terminal, 13-39
- TPA, 3-87
- Transmission errors
  - correcting, 13-13
  - reducing, 11-5
- Transparent delay routine, 11-8
- TST, 3-88
- TSX, 3-89
- TTL encoder, 11-31
- TTY
  - interface, 11-69
  - receive mode, 11-69
  - receive program, 11-71
  - standard, 11-69
  - transmit mode, 11-72
  - transmit program, 11-73
- TXS, 3-90
- Two-pass assembler, 2-14
  
- UART, 11-74
  
- Variables, local or global, 2-13
- Vectored interrupts, 6800, 12-7
- Vectoring, 12-2
- Verification terminal
  - defining, 13-10
  - error handling, 13-12
  - inputs, 13-11
  - modularizing, 13-24
  - outputs, 13-12
  - top-down design of, 13-39
- WAI, 3-91



# 6800

---

## 6800 ASSEMBLY LANGUAGE PROGRAMMING BY LANCE A. LEVENTHAL

---

**6800 Assembly Language Programming** provides comprehensive coverage of the 6800 Microprocessor assembly language.

Each of the 6800's instructions is individually presented and fully explained. The book contains many fully debugged, practical programming examples with solutions in both object and source codes.

For new programmers, **6800 Assembly Language Programming** is an assembly language tutorial. For experienced programmers, it is a complete reference to the 6800 instruction set and programming techniques.



ISBN 0-931988-12-8