

Pass4Lead

100% Real IT Exam Q&As.
Easily Pass with a High Score.

Copyright © Pass4Lead.com, All Rights Reserved.

All our exam practice questions and answers are only for our product buyers to get prepared for their coming certification examinations. Any unauthorized sharing is forbidden. It may cause the suspending of ones account, membership and product update if there is a violation of this rule.



www.Pass4Lead.com

Congratulations! You can visit www.Pass4Lead.com and use the Coupon code: **Pass4Lead** to enjoy **20% off** on **Next Order**.



Vendor: Cisco

Exam Code: 300-610

Exam Name: Designing Cisco Data Center Infrastructure (DCID)

Q&As: 60 (There are 2 parts in the dump, 60 questions in total.)

Exam A

QUESTION 1

What is an advantage of using OTV as compared to VPLS for data center redundancy?

- A. prevents loops on point-to-point links
- B. provides head-end replication
- C. uses a proactive MAC advertisement
- D. provides full-mesh connectivity

Correct Answer: A

Explanation

Explanation/Reference:

Reference: <https://community.cisco.com/t5/data-center-documents/understanding-overlay-transport-virtualization-otv/ta-p/3151502#toc-hId-1043251551>

QUESTION 2

Which multicast rendezvous point redundancy mode is valid for Bidirectional PIM?

- A. Embedded RP
- B. Phantom RP
- C. MSDP
- D. PIM anycast RP

Correct Answer: D

Explanation

Explanation/Reference:

Reference: https://www.cisco.com/c/en/us/products/collateral/ios-nx-os-software/ip-multicast/whitepaper_c11-508498.html

QUESTION 3

An engineer deploys LISP VM mobility. Which feature is configured on the interfaces that have VM mobility enabled?

- A. IP redirects
- B. flow control
- C. proxy ARP
- D. HSRP

Correct Answer: C

Explanation

Explanation/Reference:

Reference: https://www.cisco.com/c/en/us/td/docs/switches/datacenter/sw/nx-os/lisp/configuration/guide/b_NX-OS_LISP_Configuration_Guide/b_NX-OS_LISP_Configuration_Guide_chapter_010.html

QUESTION 4

What are two advantages of using Cisco vPC over traditional access layer designs? (Choose two.)

- A. supports Layer 3 port channels
- B. disables spanning-tree
- C. no spanning-tree blocked ports
- D. uses all available uplink bandwidth
- E. maintains single control plane

Correct Answer: CD

Explanation

Explanation/Reference:

Reference: https://www.cisco.com/c/dam/en/us/td/docs/switches/datacenter/sw/design/vpc_design/vpc_best_practices_design_guide.pdf

QUESTION 5

What is a design consideration when implementing FSPF?

- A. Routes are based on the domain ID.
- B. Routes are based on the distance vector protocol.
- C. FSPF runs only on F Ports.
- D. FSPF runs on a per-chassis basis.

Correct Answer: A

Explanation**Explanation/Reference:**

Reference: https://www.cisco.com/c/en/us/td/docs/switches/datacenter/mds9000/sw/5_0/configuration/guides/fabric/nxos/cli_fabric/fspf.html

QUESTION 6

Which two features are provided by deploying an OOB management network in a Cisco Nexus data center? (Choose two.)

- A. Layer 3 path for monitoring purposes
- B. Layer 2 path for server traffic
- C. Layer 2 path for a vPC peer link
- D. Layer 3 path for vPC keepalive packets
- E. Layer 3 path for server traffic

Correct Answer: BC

Explanation**Explanation/Reference:**

Reference: <https://www.cisco.com/c/dam/en/us/td/docs/solutions/CVD/Aug2014/CVD-DataCenterDesignGuide-AUG14.pdf>

QUESTION 7

The management of the Cisco Nexus switches is provided over an isolated out-of-band network. The VDC feature is configured on the Cisco Nexus core switches. How is out-of-band management access provided for each VDC?

- A. All the VDC have the same out-of-band IP address.
- B. Each VDC has a dedicated out-of-band Ethernet management port.
- C. Each VDC has a unique out-of-band IP address from the same IP subnet.
- D. Each VDC has a unique out-of-band IP address from different IP subnets among VDCs.

Correct Answer: C

Explanation**QUESTION 8**

Which two configurations allow for routing traffic between two VDCs? (Choose two.)

- A. Connect the VDCs to an external Layer 3 device.
- B. Cross-connect the ports between the VDCs.
- C. Create VRF-aware software infrastructure interfaces.
- D. Create a policy map in the default VDC that routes traffic between the VDCs.
- E. Create interfaces in the VDC that can be accessed by another VDC.

Correct Answer: AD
Explanation

QUESTION 9

Which protocol prevents fiber failures from causing a Layer 2 loop in a dark fiber DCI?

- A. BFD
- B. UDLD
- C. MCP
- D. LLDP

Correct Answer: B
Explanation

QUESTION 10

What are two characteristics of VRF-Lite on the Cisco NX-OS platform? (Choose two.)

- A. Layer 3 interfaces can belong to multiple VRFs.
- B. VRF-Lite interfaces can be Layer 2.
- C. Overlapping IP addresses are permitted on different VRFs.
- D. Interfaces that belong to VRFs can be physical or logical.
- E. VRF-Lite interfaces support MPLS.

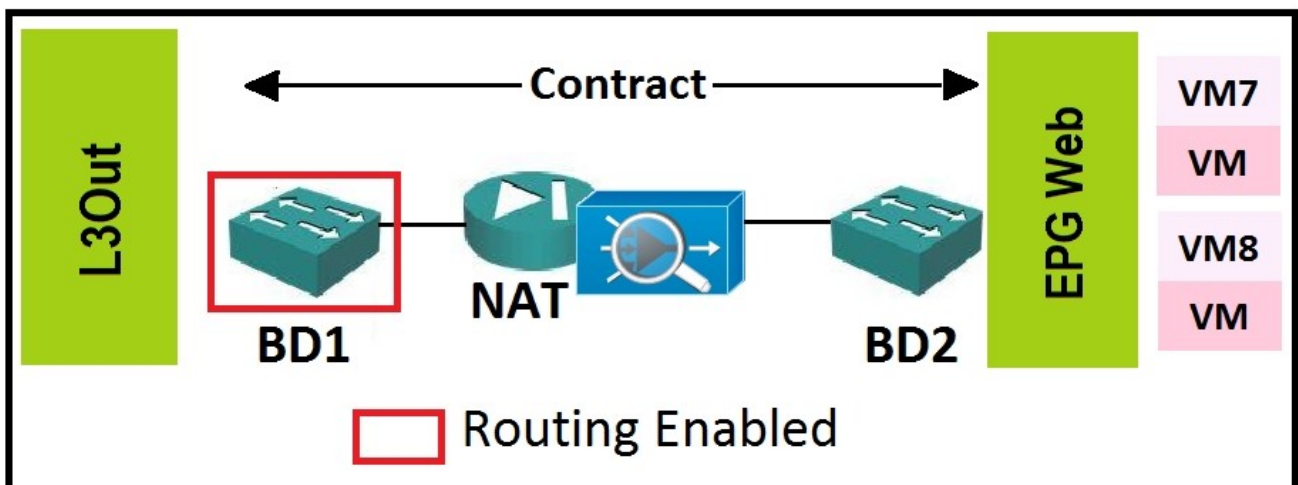
Correct Answer: CD
Explanation

Explanation/Reference:

Reference: https://www.cisco.com/c/en/us/td/docs/routers/connectedgrid/cgr1000/ios/software/15_4_1_cg/vrf_cgr1000.html

QUESTION 11

Refer to the exhibit.



What must be the default gateway of the servers in EPG Web?

- A. subnet address of BD1
- B. subnet address of L3Out
- C. subnet address of BD2
- D. NAT appliance

Correct Answer: D

Explanation

QUESTION 12

Which element is the main functional component of the architecture that separates the internal fabric and the external network that connects sites when VXLAN EVPN is deployed multisite?

- A. border leaf
- B. service leaf
- C. border gateway
- D. service gateway

Correct Answer: C

Explanation

Explanation/Reference:

Reference: https://dcloud-cms.cisco.com/demo_news/cisco-dcnm-11-3-for-vxlan-evpn-multi-site-deployments-lab-v1

QUESTION 13

Which feature must be configured to connect a classical Ethernet network to a data center network so that the data center network appears to be one large switch.

- A. VPC+
- B. UDLD
- C. EVPN
- D. OSPF

Correct Answer: C

Explanation

QUESTION 14

When planning to deploy a load-balancing service as a managed node, which ACI configuration must be included?

- A. BGP ECMP
- B. Layer 4 to Layer 7 device package
- C. inline load-balancing device
- D. ITD

Correct Answer: B

Explanation

Explanation/Reference:

Reference: https://www.cisco.com/c/en/us/td/docs/switches/datacenter/aci/apic/sw/1-x/ACI_Best_Practices/b_ACI_Best_Practices/b_ACI_Best_Practices_chapter_0110.html

QUESTION 15

What are two reasons to select OTV as the DCI solution to connect multisite topologies? (Choose two.)

- A. It propagates hosts reachability without support of traffic flooding.
- B. Layer 3 failures do not propagate beyond the OTV edge device.
- C. It extends the spanning tree between data centers.
- D. It is an open standard.
- E. It constrains HSRP hello messages to each data center.

Correct Answer: BC

Explanation

Explanation/Reference:

Reference: https://www.cisco.com/c/en/us/td/docs/solutions/Enterprise/Data_Center/DCI/whitepaper/DCI3_OTV_Intro/DCI_1.html

QUESTION 16

Which technology enables Layer 2 extension between remote data center sites?

- A. FCIP
- B. GRE
- C. DMVPN
- D. OTV

Correct Answer: D

Explanation

Explanation/Reference:

Reference: <https://netcraftsmen.com/spanning-layer-2-between-data-centers/>

QUESTION 17

Which two statements describe Ethernet switching mode on Cisco UCS 6100 Series Fabric Interconnects? (Choose two.)

- A. STP runs on the uplink ports of each VLAN, as defined by PVSTP+.
- B. STP runs on the uplink ports of each VLAN, as defined by MSTP.
- C. The STP parameter configuration is unsupported.
- D. The STP parameter configuration is supported.
- E. STP runs on the server ports.

Correct Answer: AC

Explanation

Explanation/Reference:

Reference: https://www.cisco.com/c/en/us/solutions/collateral/data-center-virtualization/unified-computing/whitepaper_c11-701962.html

QUESTION 18

A Cisco UCS instance has four interfaces on a UCS VIC. Where on the fabric interconnect does each interface terminate?

- A. vPC
- B. virtual interface
- C. port channel
- D. physical port

Correct Answer: B

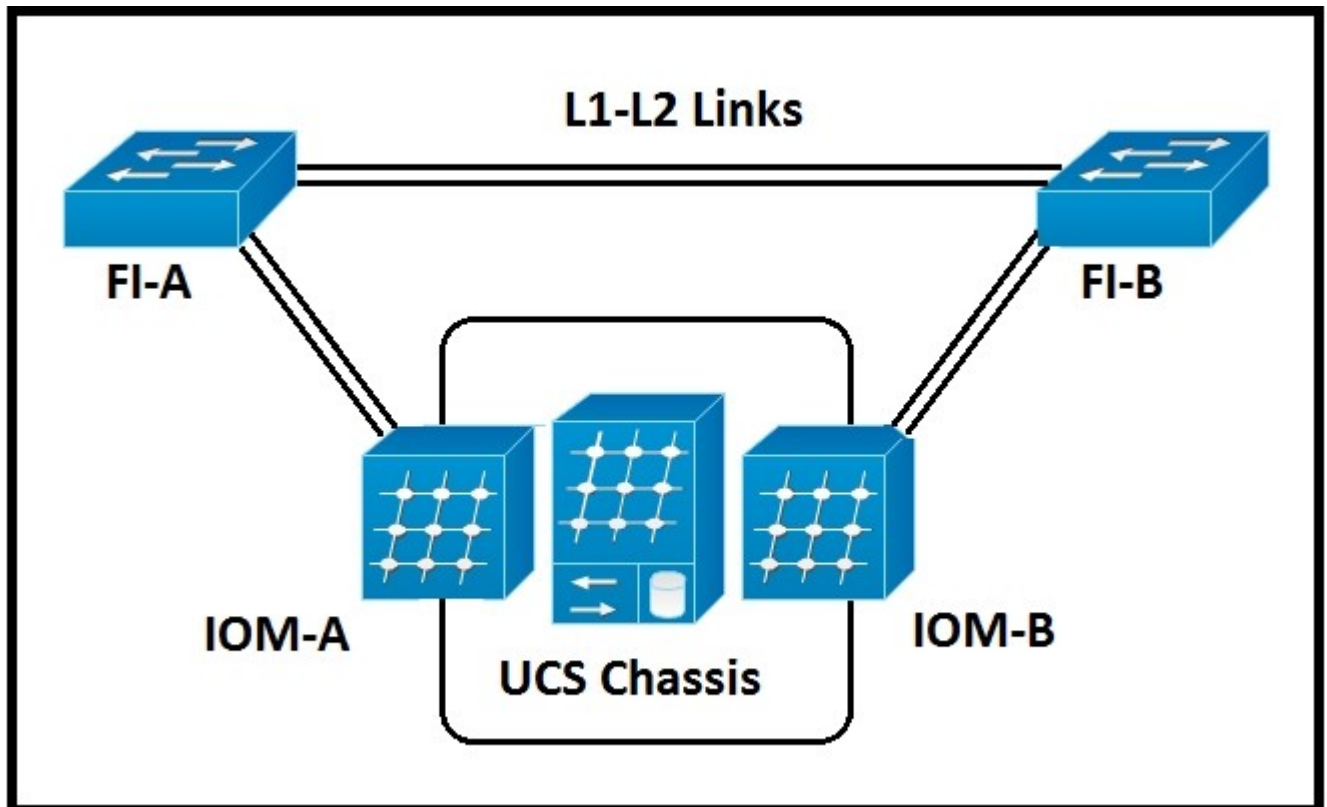
Explanation

Explanation/Reference:

Reference: <https://www.cisco.com/c/dam/en/us/products/collateral/servers-unified-computing/ucs-6300-series-fabric-interconnects/cisco-unified-fabric.pdf>

QUESTION 19

Refer to the exhibit.



A Cisco UCS chassis that has two IOMs is discovered. The chassis discovery policy creates a fabric port channel. What is the result of this policy?

- A. Cisco UCS Manager creates two separate fabric port channels.
- B. Cisco UCS Manager creates a single fabric port channel.
- C. The port channel is disabled until an administrator enables it manually.
- D. Each uplink that connects an IOM is configured as a discrete link.

Correct Answer: A

Explanation

QUESTION 20

An engineer is designing a Multichassis EtherChannel topology in which two switches must appear as a single device to a third downstream switch? Which two technologies meet this requirement? (Choose two.)

- A. HSRP
- B. VSS
- C. vPC
- D. 802.1q
- E. FEX

Correct Answer: BC

Explanation

Explanation/Reference:

Reference: https://www.cisco.com/c/dam/en/us/products/collateral/switches/nexus-7000-series-switches/C07-572835-00_NX-OS_vPC_DG.pdf

QUESTION 21

What is an advantage of Cisco HyperFlex Edge as compared to Cisco HyperFlex Standard Clusters?

- A. Cisco Intersight automatically creates an invisible cloud witness.
- B. Cisco UCS 5108 Blade Server chassis provides SEEPROM connectivity to solve split-brain scenarios.
- C. Cisco UCS Manager provides service profile portability across nodes.
- D. Cisco HyperFlex Edge provides native container support through the KVM hypervisor.

Correct Answer: A

Explanation

Explanation/Reference:

Reference: <https://www.cisco.com/c/dam/en/us/products/collateral/hyperconverged-infrastructure/hyperflex-hx-series/whitepaper-c11-741999.pdf>

QUESTION 22

Which approach splits a pair of clustered fabric interconnects into two standalone devices?

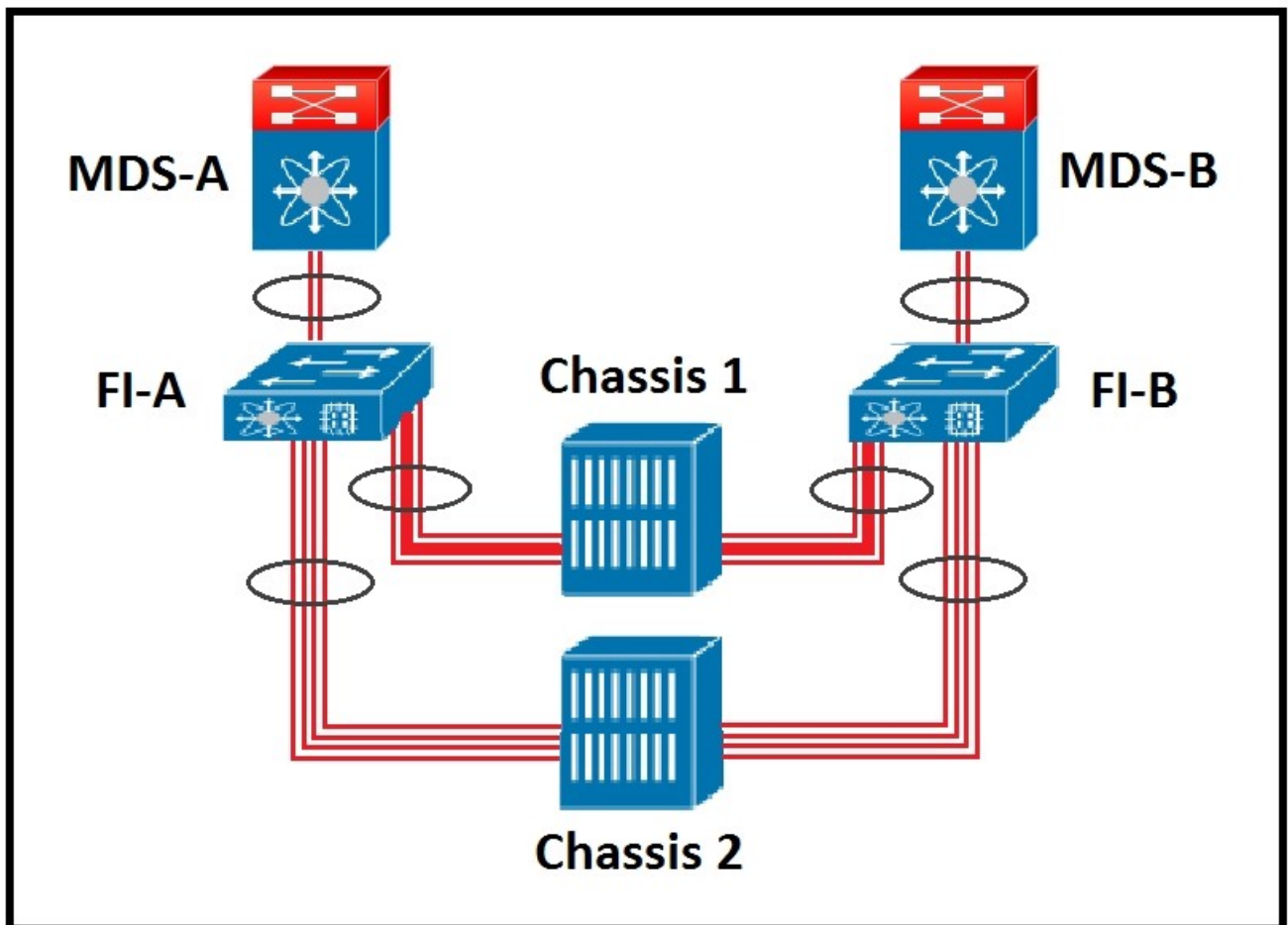
- A. Run the disable fips-mode command on each fabric interconnect.
- B. Run the connect local-management command on each fabric interconnect.
- C. Erase the configuration of both fabric interconnects.
- D. Unplug the Layer 1 and Layer 2 interfaces between the devices.

Correct Answer: D

Explanation

QUESTION 23

Refer to the exhibit.



An engineer must assign multiple Fibre Channel IDs to a single port channel. Which two features must be enabled this goal? (Choose two.)

- A. SAN Pin Groups on the Cisco UCS Fabric Interconnects.
- B. NPV feature on the Cisco MDS Series.
- C. end-host mode feature on the Cisco UCS Fabric Interconnects
- D. NPIV feature on the Cisco MDS Series
- E. Smart Zoning feature on the Cisco UCS Fabric Interconnects

Correct Answer: BD
Explanation

QUESTION 24

Which type of encoding is used on 8-Gbps links as compared to 10-Gbps links?

- A. 8-Gbps links use 64B/66B encoding, and 10-Gbps links use 8B/10B encoding.
- B. 8-Gbps links use 8B/10B encoding, and 10-Gbps links use 64B/66B encoding.
- C. 8-Gbps links and 10-Gbps links use 8B/10B encoding.
- D. 8-Gbps links and 10-Gbps links use 64B/66B encoding.

Correct Answer: B
Explanation

Explanation/Reference:

Reference: https://www.iol.unh.edu/sites/default/files/knowledgebase/10gec/10GbE_CI49.pdf

QUESTION 25

Which Cisco HyperFlex feature provides virtual machine-level cost scaling for desktop virtualization growth?

- A. HyperFlex Edge support
- B. encryption offload cards
- C. dedicated compute nodes
- D. fabric interconnects

Correct Answer: A
Explanation

QUESTION 26

Which two vSphere features must be included in the design of a Cisco HyperFlex systems stretched cluster? (Choose two.)

- A. HA
- B. VSS
- C. FT
- D. VDP
- E. DRS

Correct Answer: AE
Explanation

Explanation/Reference:

Reference: https://www.cisco.com/c/en/us/td/docs/hyperconverged_systems/HyperFlex_HX_DataPlatformSoftware/HyperFlex_Stretched_Cluster/3_5/b_HyperFlex_Systems_Stretched_Cluster_Guide_3_5.pdf

QUESTION 27

What can be implemented on Cisco Nexus 5600 Series Switches for link redundancy within a Fibre Channel fabric?

- A. vPC+
- B. E-Trunk
- C. SAN port channel
- D. LACP port channel

Correct Answer: D
Explanation

QUESTION 28

Which factor determines the choice of platform designing a Cisco HyperFlex infrastructure to support computer-aided design applications?

- A. network speed
- B. GPU support
- C. storage capacity
- D. processor count

Correct Answer: C
Explanation

QUESTION 29

What is the disadvantage of asynchronous storage replication as compared to synchronous storage replication in a disaster recovery design?

- A. reduction in application performance
- B. distance limitations
- C. specific backup requirements
- D. potential data loss

Correct Answer: D
Explanation

Explanation/Reference:

Reference: <https://www.evidian.com/products/high-availability-software-for-application-clustering/synchronous-replication-vs-asynchronous-replication/>

QUESTION 30

Where does Cisco UCS handle Fibre Channel traffic failover?

- A. on a Cisco UCS Fabric Interconnect ASIC in Fibre Channel switching mode
- B. on the host, by using multipathing software
- C. in the hardware on the Cisco UCS VIC 12xx adapter or later
- D. in the hardware on any Cisco UCS VIC adapter

Correct Answer: B
Explanation

Explanation/Reference:

Reference: https://www.cisco.com/c/en/us/solutions/collateral/data-center-virtualization/unified-computing/whitepaper_c11-701962.html

QUESTION 31

Which mode must be enabled on a Cisco UCS Fabric Interconnect to connect directly to a storage array?

- A. NPIV mode
- B. FC end-host mode
- C. NPV mode
- D. FC switching mode

Correct Answer: D
Explanation

Explanation/Reference:

Reference: https://www.cisco.com/c/en/us/td/docs/unified_computing/ucs/ucs-manager/GUI-User-Guides/Storage-Mgmt/3-1/b_UCSM_GUI_Storage_Management_Guide_3_1/b_UCSM_GUI_Storage_Management_Guide_3_1_chapter_01110.html

QUESTION 32

Which two naming formats identify target or initiator iSCSI nodes? (Choose two.)

- A. WWPN
- B. EUI
- C. IQN
- D. WWN

E. OUI

Correct Answer: CD

Explanation

Explanation/Reference:

Reference: https://www.cisco.com/en/US/docs/storage/san_switches/mds9000/sw/rel_3_x/configuration/guides/cli_3_3_1/ciscsi.html

QUESTION 33

What influences the number of ISLs that are required between Cisco MDS Series switches?

- A. FCoE protocol
- B. type of storage
- C. end-to-end oversubscription ratio
- D. N Port virtualization

Correct Answer: C

Explanation

Explanation/Reference:

Reference: <https://www.cisco.com/c/en/us/products/collateral/storage-networking/mds-9700-series-multilayer-directors/white-paper-c11-729697.html>

QUESTION 34

Which type fields can an engineer use to identify an iSCSI participant? (Choose two.)

- A. type
- B. preshared key
- C. port number
- D. identifying tag
- E. hostname

Correct Answer: CE

Explanation

Explanation/Reference:

Reference: <https://en.wikipedia.org/wiki/iSCSI>

QUESTION 35

Refer to the exhibit.

```

Switch(config-sys-qos)# show policy-map system
  Type network-qos policy-maps
=====
policy-map type network-qos system
  class type network-qos class-fcoe
    match qos-group 1
    pause no-drop
    mtu 2000
  class type network-qos class-default
    match qos-group 0
    mtu 1500
Service-policy (qos) input: system
  policy statistics status: disabled
  Class-map (qos) : class fcoe (match-any)
    Match : cos 3
    set qos-group 1
  Class-map (qos) : class-default (match-any)
    Match: any
    set qos-group 0

```

The FCoE packets fail to be forwarded through the switch. What is the minimum MTU QoS requirement for the FCoE to work?

- A. 9000 bytes
- B. 2000 bytes
- C. 2158 bytes
- D. 2240 bytes

Correct Answer: B
Explanation

QUESTION 36

Which Ethernet to Cisco Fabric Interconnect connectivity configuration is supported when FCoE is implemented?

- A. VSS that has unified uplinks
- B. Ethernet and unified ports on the same port channel
- C. vPC that has unified uplinks
- D. cross-connections with pinning

Correct Answer: C
Explanation

Explanation/Reference:

Reference: <https://www.cisco.com/c/en/us/support/docs/servers-unified-computing/ucs-manager/116188->

configure-fcoe-00.html#anc11

QUESTION 37

Which two configuration methods can be used to deploy QoS to Cisco MDS Series switches? (Choose two.)

- A. zone-based QoS
- B. multiple QoS policies that match individual devices
- C. VSAN-based QoS
- D. FCoE VLAN-based QoS
- E. multiple QoS policies that match multiple devices

Correct Answer: AC

Explanation

Explanation/Reference:

Reference: https://www.cisco.com/c/en/us/td/docs/switches/datacenter/mds9000/sw/7_3/configuration/qos/cisco_mds9000_qos_config_guide/configuring_qos.html

QUESTION 38

An engineer is designing a data center that uses FCIP. How is QoS configured in this environment?

- A. A separate DSCP value and CoPP must be configured for all FCIP traffic and another for all of the FCIP in the data connection.
- B. A separate DSCP value must be configured for all FCIP VSAN traffic.
- C. A separate DSCP value and priority queuing must be configured for all FCIP traffic.
- D. Two separate DSCP values must be configured, one of all of the FCIP frames in the control TCP connection and another for all of the FCIP frames in the data connection.

Correct Answer: D

Explanation

Explanation/Reference:

Reference: https://www.cisco.com/c/en/us/td/docs/switches/datacenter/mds9000/sw/5_0/configuration/guides/ipsvc/nxos/ipsvc/cfcip.html

QUESTION 39

Which two methods mitigate congestion in a SAN network? (Choose two.)

- A. Configure ER_RDY to allow splitting of each ISL between switches into separate virtual links.
- B. Use the port-monitor command to detect slow drain devices.
- C. Configure the port channel to enable individual buffer-to-buffer credits.
- D. Configure the port monitor to allow categorization of a specific device as slow.
- E. Configure the flow control for the FC to use R_RDY.

Correct Answer: BD

Explanation

Explanation/Reference:

Reference: https://www.cisco.com/c/en/us/td/docs/switches/datacenter/mds9000/sw/8_x/config/interfaces/cisco_mds9000_interfaces_config_guide_8x/congestion_avoidance_isolation.html

QUESTION 40

Which two automation requirements can be met by using Puppet? (Choose two.)

- A. Push configuration updates immediately to servers.
- B. Enable clients to pull changes to configuration files.
- C. Enable clients to pull changes without installing an agent.
- D. Provide support for writing new modules in Python.

E. Enable one-off infrastructure changes to be performed manually.

Correct Answer: AB

Explanation

Explanation/Reference:

Reference: https://www.cisco.com/c/dam/en/us/products/collateral/servers-unified-computing/ucs-c-series-rack-servers/whitepaper_c11-740103.pdf

QUESTION 41

Which orchestration tool should be used for the management and analytics of servers across multiple sites?

- A. Cisco Intersight
- B. Cisco Nexus Fabric Manager
- C. Cisco UCS Manager
- D. Cisco Data Center Network Manager

Correct Answer: A

Explanation

Explanation/Reference:

Reference: https://www.cisco.com/c/en_in/products/servers-unified-computing/intersight/index.html

QUESTION 42

Which authentication software natively runs within the CLI of Cisco NX-OS devices?

- A. Python
- B. Ansible
- C. Puppet
- D. Chef

Correct Answer: B

Explanation

QUESTION 43

Which orchestration tool provides a graphical interface to manage LAN and SAN fabrics?

- A. Cisco Virtual Topology System
- B. Cisco Data Center Network Manager
- C. Cisco Nexus Fabric Manager
- D. Cisco CloudCenter

Correct Answer: B

Explanation

Explanation/Reference:

Reference: https://www.cisco.com/c/en/us/td/docs/switches/datacenter/sw/DCNM_OLH/SAN_Client/fmhelp/fmc.html#34479

QUESTION 44

Which two configurations are available by using a service profile template in Cisco UCS Manager? (Choose two.)

- A. number of vHBAs
- B. ARP entries
- C. UUID assignment
- D. VXLAN membership

E. target server

Correct Answer: AC

Explanation

Explanation/Reference:

Reference: https://www.cisco.com/c/en/us/td/docs/unified_computing/ucs/sw/cli/config/guide/2-2/b_UCSM_CLI_Configuration_Guide_2_2/b_UCSM_CLI_Configuration_Guide_2_2_chapter_010000.html

QUESTION 45

Which two types of service profile templates does Cisco UCS support? (Choose two.)

- A. initial
- B. permanent
- C. updating
- D. temporary
- E. connected

Correct Answer: AC

Explanation

Explanation/Reference:

Reference: https://www.cisco.com/en/US/docs/unified_computing/ucs/sw/gui/config/guide/141/UCSM_GUI_Configuration_Guide_141_chapter28.html#concept_C9D27CE2AA1245EA976DAA79F5BC6808

QUESTION 46

Which pools are used when a vNIC template is created in Cisco UCS Manager?

- A. WWPN
- B. UUID
- C. MAC
- D. IP

Correct Answer: C

Explanation

Explanation/Reference:

Reference: https://www.cisco.com/c/en/us/td/docs/unified_computing/ucs/ucs-manager/GUI-User-Guides/Network-Mgmt/3-1/b_UCSM_Network_Mgmt_Guide_3_1/b_UCSM_Network_Mgmt_Guide_3_1_chapter_0111.html

QUESTION 47

Refer to the exhibit.

Create vHBA Template

Name :

Description :

Fabric ID : A B

Redundancy

Redundancy Type : No Redundancy Primary Template Secondary Template

Select VSAN :

Template Type : Initial Template Updating Template

Max Data Field Size :

WWPN Pool :

QoS Policy :

Pin Group :

Stats Threshold Policy :

Which template is used when a vHBA template pair is created for a specific server that inherits its attributes from an existing template?

- A. Secondary
- B. Initial
- C. Updating
- D. Primary

Correct Answer: B

Explanation

QUESTION 48

Which address pool is used when a vHBA template is created?

- A. MAC
- B. WWPN
- C. IP
- D. UUID

Correct Answer: B

Explanation

Explanation/Reference:

Reference: https://www.cisco.com/c/en/us/td/docs/unified_computing/ucs/sw/gui/config/guide/2-1/b_UCSM_GUI_Configuration_Guide_2_1/b_UCSM_GUI_Configuration_Guide_2_1_chapter_011010.html

QUESTION 49

What are two functions of a Network Services Orchestrator in an NFV environment? (Choose two.)

- A. It operates at the resource-facing services layer and provides overall lifecycle management at the network service level.

- B. It provides an API-based northbound interface for transparent integration with systems that operate at the resource-facing services layer.
- C. It provides a standards-based southbound interface for transparent integration with systems that operate at the customer-facing services layer.
- D. It provides a standards-based northbound interface for transparent integration with systems that operate at the customer-facing services layer.
- E. It operates at the customer-facing services layer and provides the management interface for the virtual network devices.

Correct Answer: AB

Explanation

Explanation/Reference:

Reference: https://www.cisco.com/c/en/us/td/docs/net_mgmt/msx/3_4/solution_overview/Cisco_VMS_Sol_Overview.pdf

QUESTION 50

Which feature provides a sandbox to convert NX-OS CLI commands to REST-based scripts on Cisco Nexus 7700 Series Switches?

- A. NX-API
- B. Postman
- C. Bash shell
- D. Guest shell

Correct Answer: A

Explanation

Explanation/Reference:

Reference: https://www.cisco.com/c/en/us/td/docs/switches/datacenter/nexus9000/sw/7-x/programmability/guide/b_Cisco_Nexus_9000_Series_NX-OS_Programmability_Guide_7x/b_Cisco_Nexus_9000_Series_NX-OS_Programmability_Guide_7x_chapter_010010.html

Exam B

QUESTION 1
DRAG DROP

A failure occurs on the network between two BFD and OSPF neighbors. Drag and drop the protocol actions from the left into the correct order on the right.

Select and Place:

BFD notifies the local OSPF process that the BFD neighbor is no longer reachable.	step 1
If an alternate path is available, routers immediately start converging on it.	Step 2
The BFD neighboring session with the OSPF peer is terminated.	Step 3
The local OSPF process tears down the OSPF neighbor relationship.	Step 4

Correct Answer:

	The BFD neighboring session with the OSPF peer is terminated.
	BFD notifies the local OSPF process that the BFD neighbor is no longer reachable.
	The local OSPF process tears down the OSPF neighbor relationship.
	If an alternate path is available, routers immediately start converging on it.

Explanation

Explanation/Reference:

Reference: https://www.cisco.com/c/en/us/td/docs/ios/12_0s/feature/guide/fs_bfd.html#wp1238898

QUESTION 2
DRAG DROP

Drag the appropriate from the left onto the current UDLD modes of operation on the right.

Select and Place:

- Uses STP if UDLD information times out.
- Detects when a port is stuck.
- Disables a port that has a high error rate.
- Allows a port that has a high error rate.

Normal Mode

Aggressive Mode

Correct Answer:

Normal Mode

Uses STP if UDLD information times out.

Allows a port that has a high error rate.

Aggressive Mode

Detects when a port is stuck.

Disables a port that has a high error rate.

Explanation

Explanation/Reference:
 Reference: <https://www.cisco.com/c/en/us/support/docs/lan-switching/spanning-tree-protocol/10591-77.html>

QUESTION 3
 DRAG DROP

Drag and drop the data center technologies from the left onto the correct descriptions on the right. Not all technologies are used.

Select and Place:

cut-through switching	connects a classical Ethernet vPC domain and a Cisco FabricPath cloud to interoperate
OTV	extends Layer 2 domains across distributed data centers
store-and-forward switching	performs Layer 2 lookup as soon as the destination MAC is received
VPC	two separate control planes, performs device aggregation
VPC+	

Correct Answer:

	VPC+
	OTV
store-and-forward switching	cut-through switching
	VPC

Explanation

Explanation/Reference:

QUESTION 4
DRAG DROP

Drag and drop the Cisco Nexus 7000 Series Switch resources from the left onto the correct groups on the right.

Select and Place:

- physical interfaces
- port channels
- TCAM
- VLANs

Resources that are local to a VDC

Resources shared among all VDCs

Correct Answer:

Resources that are local to a VDC

physical interfaces

VLANs

port channels

Resources shared among all VDCs

TCAM

Explanation

Explanation/Reference:

Reference: https://www.cisco.com/c/en/us/td/docs/switches/datacenter/sw/nx-os/virtual_device_context/configuration/guide/b-7k-Cisco-Nexus-7000-Series-NX-OS-Virtual-Device-Context-Configuration-Guide/creating-vdc.html

QUESTION 5
DRAG DROP

Drag and drop the feature descriptions from the left onto the correct UCS Fabric Interconnect modes on the right.

Select and Place:

- Links are active-active.
- MAC address learning occurs on the uplink ports.
- STP runs on the uplink ports.
- This is the default mode of operation.

End-Host Mode

Switch Mode

Correct Answer:

End-Host Mode

- Links are active-active.
- MAC address learning occurs on the uplink ports.

Switch Mode

- STP runs on the uplink ports.
- This is the default mode of operation.

Explanation

Explanation/Reference:

Reference: https://www.cisco.com/c/en/us/solutions/collateral/data-center-virtualization/unified-computing/whitepaper_c11-701962.html

QUESTION 6
DRAG DROP

Drag and drop the configurations from the left onto the correct policies on the right.

Select and Place:

- Set the number of queues.
- Set the RSS hash value.
- Assign each vCon to a physical adapter.
- Assign adapter order.

vNIC/vHBA Placement Policy

Ethernet Adapter Policy

Correct Answer:

vNIC/vHBA Placement Policy

Assign each vCon to a physical adapter.

Assign adapter order.

Ethernet Adapter Policy

Set the number of queues.

Set the RSS hash value.

Explanation

Explanation/Reference:

Reference: https://www.cisco.com/c/en/us/td/docs/unified_computing/ucs/sw/gui/config/guide/2-2/b_UCSM_GUI_Configuration_Guide_2_2/configuring_network_related_policies.html#task_7F03A03C719A4A44B8ACFAD73AADC73C

QUESTION 7

DRAG DROP

Drag and drop the components from the left onto the descriptions on the right that indicate what occurs to Fibre Channel fabric when that component fails.

Select and Place:

fabric interconnect

The Fibre Channel fabric fails for all of the connected Cisco UCS chassis.

FEX

The Fibre Channel fabric fails for one Cisco UCS chassis.

FEX link of the fabric interconnect

The Fibre Channel fabric fails for some of the servers within a Cisco UCS chassis.

converged network adapter

The Fibre Channel fabric fails for one server.

Correct Answer:

converged network adapter

FEX link of the fabric interconnect

fabric interconnect

FEX

Explanation

Explanation/Reference:

QUESTION 8
DRAG DROP

Drag and drop the technologies from the left onto the correct descriptions on the right.

Select and Place:

iSCSI

allows the storage system to tell the client which paths are optimized

TOE

provides block-level access to the storage

MPIO

host software has visibility into different iSCSI ports

ALUA

offloads device CPU from encapsulation / decapsulation

Correct Answer:

ALUA

iSCSI

MPIO

TOE

Explanation

Explanation/Reference:

QUESTION 9

DRAG DROP

Drag and drop the SAN components from the left onto the correct design considerations on the right.

Select and Place:

fabric logins	used to logically separate a SAN fabric
ISL	must be considered for the end-to-end oversubscription ratio
VSAN	these exchanges increase as a result of server virtualization
zone	must be considered when implementing access control

Correct Answer:

	VSAN
	ISL
	fabric logins
	zone

Explanation

Explanation/Reference:

QUESTION 10
DRAG DROP

Drag the requirements from the left onto the correct policy types on the right.

Select and Place:

Support tagging policies.

Scrub disks on disassociation.

Synchronize server power state.

Create a utility partition on a SD card.

Implement Hypervisor password policies.

Cisco Intersight Global Policy

Cisco UCS Manager Local Policy

Correct Answer:

Cisco Intersight Global Policy

Implement Hypervisor password policies.

Synchronize server power state.

Support tagging policies.

Cisco UCS Manager Local Policy

Scrub disks on disassociation.

Create a utility partition on a SD card.

Explanation

Explanation/Reference:

About Pass4Lead.com

As a professional IT exam study guide provider, Pass4Lead.com provides our candidates with the most accurate and high quality IT exam training material.

[Cisco](#)
[EMC](#)
[LPI](#)

[Citrix](#)
[EXIN](#)
[Nortel](#)

[CompTIA](#)
[HP](#)
[Oracle](#)

[Check Point](#)
[Juniper](#)
[VMware](#)

and so on, you can find all kinds of exam questions, study guides, practice tests here. Our aim is to be your assistance on your way to be successful in your IT certifications. We provide our customers with the 100% Pass Guaranteed or Full Refund.

We spare no efforts to help you to pass any IT Certification exams at the first try. Do not hesitate to contact us if you need any help on the products, payments or questions about IT exams.

You can reach us on:

<https://www.Pass4Lead.com/contact-us.html>

We will get in touch with you in 24 hours. Your satisfaction is the recognition for us. You could rely upon us anytime you need help. We are at your service.



 One Year Free Update Free update is available within One Year after your purchase. After One Year, you will get 50% discounts for updating. And we are proud to boast a 24/7 efficient Customer Support system via Email.	 Money Back Guarantee To ensure that you are spending on quality products, we provide 100% money back guarantee for 30 days from the date of purchase.	 Security & Privacy We respect customer privacy. We use McAfee's security service to provide you with utmost security for your personal information & peace of mind.
---	---	--

Guarantee & Policy | Privacy & Policy | Terms & Conditions

Any charges made through this site will appear as Global Simulators Limited. All trademarks are the property of their respective owners.

Copyright © Pass4Lead.com, All Rights Reserved.