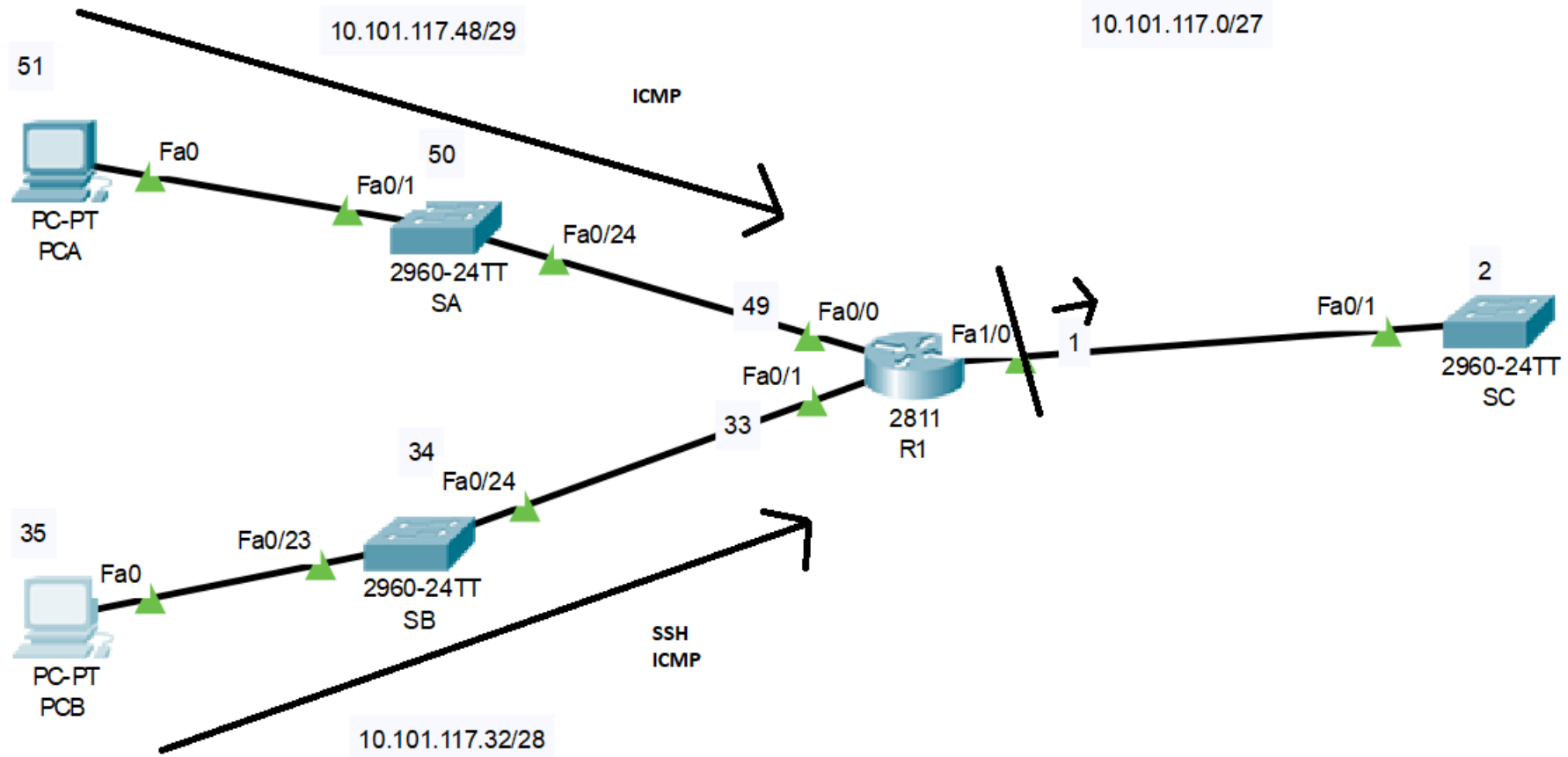


# LAB 4 ACL Extendida

## Escenario 2



# ACL numerada

- Configurar ACL extendida

```
R1(config)# access-list 199 permit tcp 10.101.117.32 0.0.0.15 10.101.117.0 0.0.0.31 eq 22
```

```
R1(config)# access-list 199 permit icmp any any
```

```
R1(config)#interface f1/0
```

```
R1(config-if)# ip access-group 199 out
```