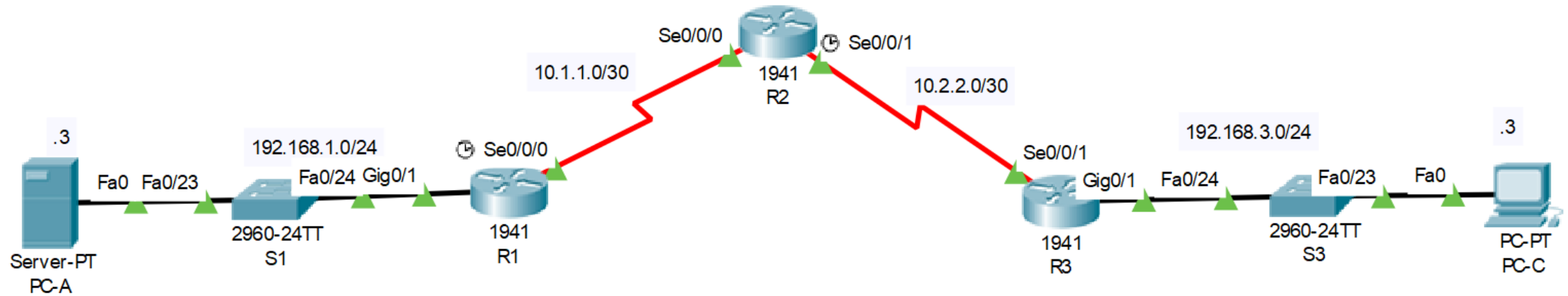
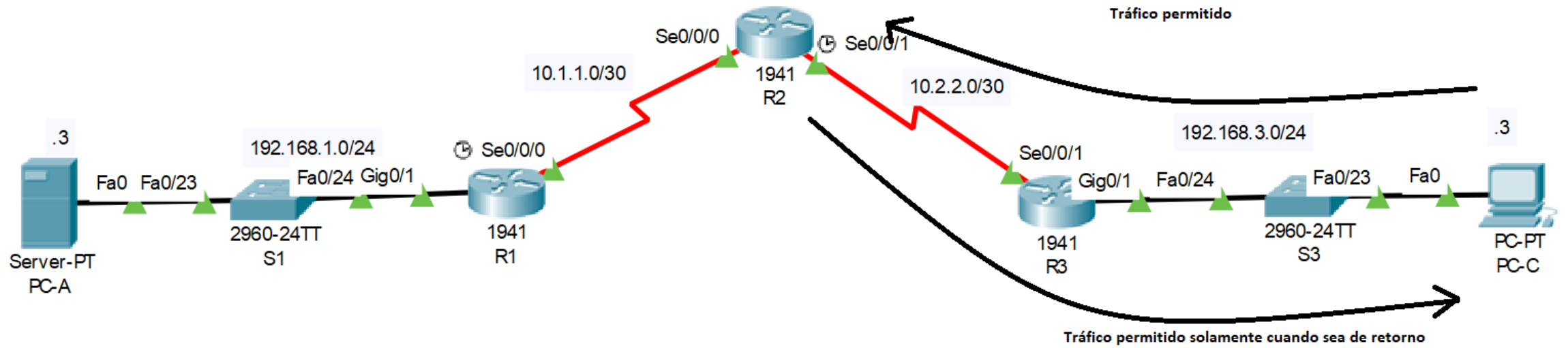


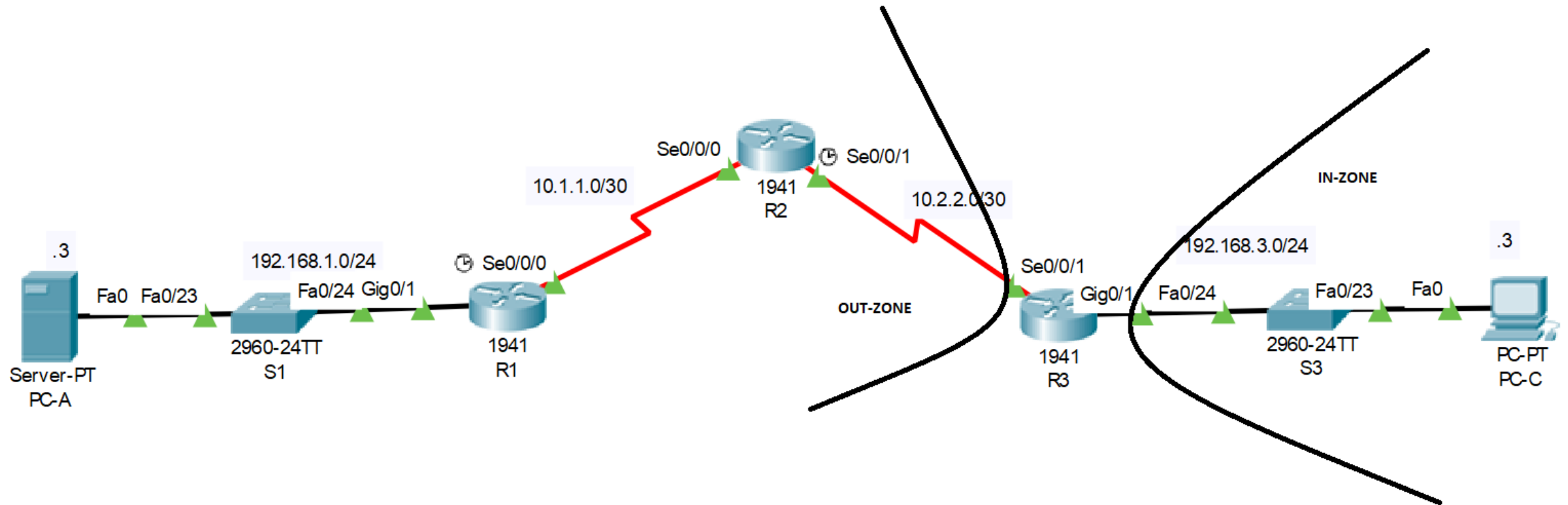
# LAB 7

## Política de Firewall Basado en Zonas ZBF





R3(config)# license boot module c1900 technology-package securityk9



IN-ZONE

OUT-ZONE

# Crear zonas

- R3(config)# zone security **IN-ZONE**
- R3(config-sec-zone) exit
- R3(config)# zone security **OUT-ZONE**
- R3(config-sec-zone)# exit

ACL 101

IN-NET-CLASS-MAP

IN-NET-CLASS-MAP

ACL 101

# Identificar tráfico utilizando ACL y CLASS-MAP

- R3(config)# access-list **101** permit ip 192.168.3.0 0.0.0.255 any
- R3(config)# class-map type inspect match-all **IN-NET-CLASS-MAP**
- R3(config-cmap)# match access-group **101**
- R3(config-cmap)# exit

IN-TO-OUT-PMAP

IN-NET-CLASS-MAP

ACL 101



# Especificar Políticas de Firewall

- R3(config)# policy-map type inspect **IN-2-OUT-PMAP**
- R3(config-pmap)# class type inspect **IN-NET-CLASS-MAP**
- R3(config-pmap-c)# inspect
- R3(config-pmap-c)# exit
- R3(config-pmap)# exit

IN-ZONE

OUT-ZONE

IN-2-OUT-ZPAIR

IN-TO-OUT-PMAP

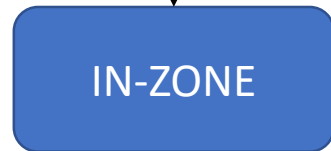
IN-NET-CLASS-MAP

ACL 101

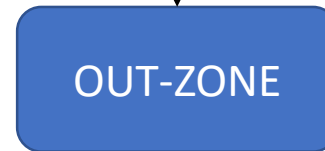
# Crear Pares de Zonas y Aplicar Política

- R3(config)# zone-pair security **IN-2-OUT-ZPAIR** source **IN-ZONE** destination **OUT-ZONE**
- R3(config-sec-zone-pair)# service-policy type inspect **IN-2-OUT-PMAP**
- R3(config-sec-zone-pair)# exit

INTERFACE G0/1



INTERFACE S0/0/1



# Asignar interfaces a sus zonas respectivas

- **R3(config)# interface g0/1**
- **R3(config-if)# zone-member security IN-ZONE**
- **R3(config-if)# exit**
- **R3(config)# interface s0/0/1**
- **R3(config-if)# zone-member security OUT-ZONE**
- **R3(config-if)# exit**

- **R3# show policy-map type inspect zone-pair sessions**