

Exploiting Simple Buffer Overflows on Win32

Vivek Ramachandran

SWSE, SMFE, SPSE, SISE, SLAE, SGDE Course Instructor

Certifications: <http://www.securitytube-training.com>

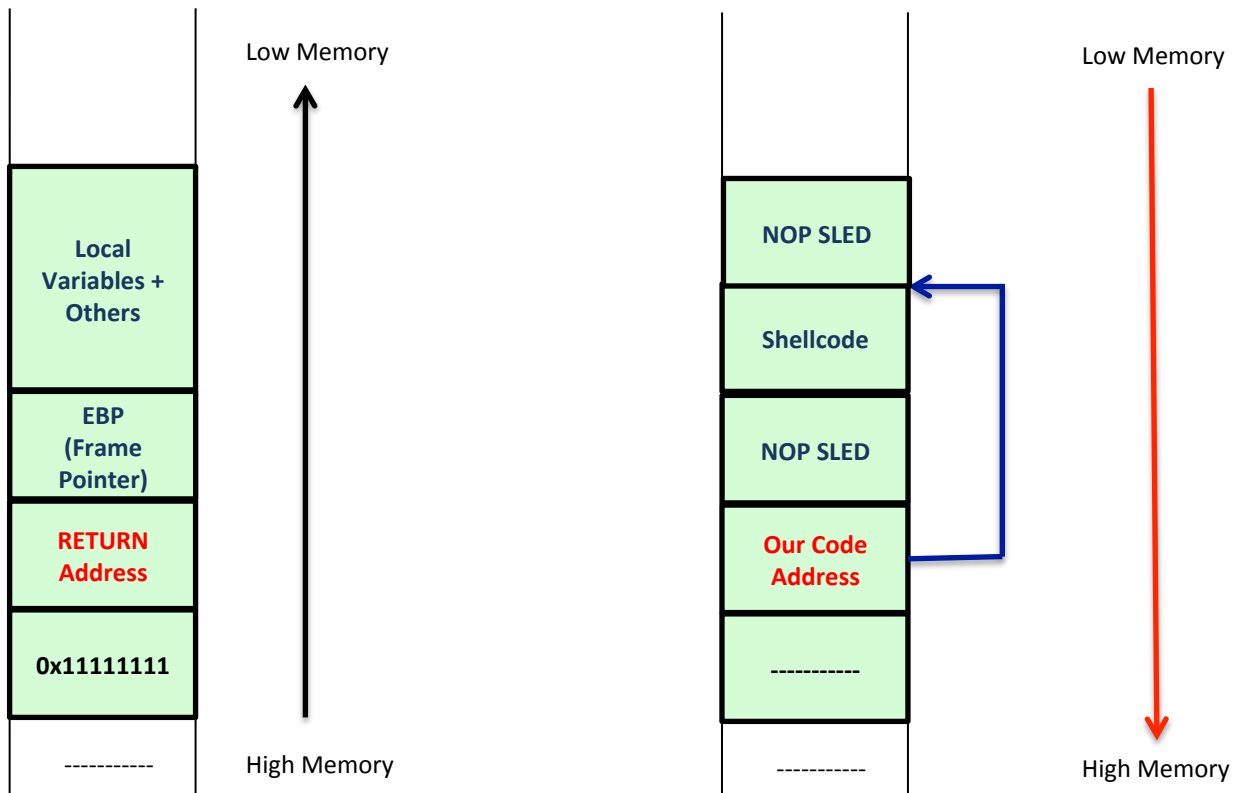
Pentester Academy: <http://www.PentesterAcademy.com>

Exploiting Echo Server v3 Part 2

TCP Echo Server v3

```
C:\Documents and Settings\SecurityTube\Desktop\Demos\Echo-Server-Memcpy-v2.exe
*****
Vulnerable TCP ECHO Server v2.0
Memcpy<>
*****
[+] Winsock Init Succeeded!
[+] Server Socket Created!
[+] Server Bind success to port 9000!
[+] Server waiting for connections!
```

Exploitation



Pentester Academy

PentesterAcademy

a SecurityTube.net initiative



TOPICS

PRICING

WHY SUBSCRIBE

MEMBER ACCESS



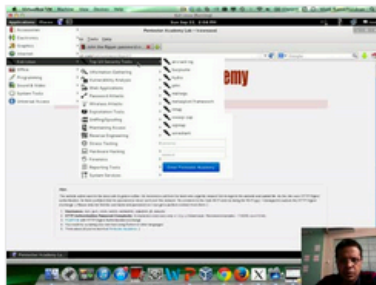
Revolutionizing Infosec Training

Highly Technical, Hands-on, Affordable

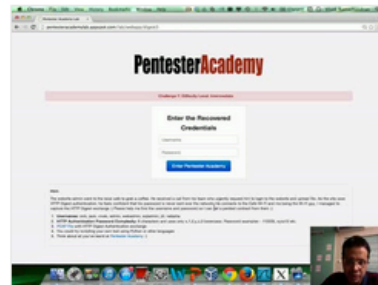
Start Learning Today!

Latest Videos

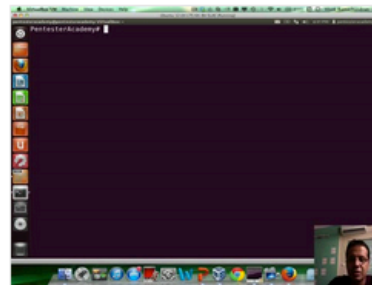
New content added weekly!



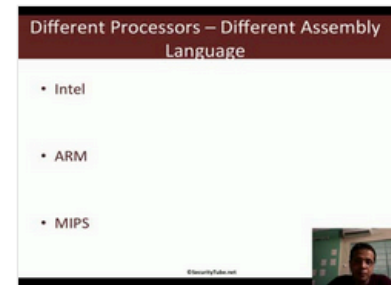
Challenge 7: Cracking Digest Authentication Solution in WAP Challenges



Challenge 7: Cracking Digest Authentication in WAP Challenges



Module 1: GDB Test Solution in x86_64 Assembly Language and Shellcoding on Linux



Module 1: CPU Information in x86_64 Assembly Language and Shellcoding on Linux